

US00D849298S

(12) **United States Design Patent** (10) **Patent No.:** **US D849,298 S**
Deng (45) **Date of Patent:** **** May 21, 2019**

(54) **OUTDOOR LAMP HOLDER**

(71) Applicant: **Guangzhou Jian'guang Illumination Appliances Co., Ltd.**, Guangzhou (CN)

(72) Inventor: **Junlin Deng**, Guangzhou (CN)

(73) Assignee: **Guangzhou Jian'guang Illumination Appliances Co., Ltd.**, Guangzhou (CN)

(**) Term: **15 Years**

(21) Appl. No.: **29/603,760**

(22) Filed: **May 12, 2017**

(51) **LOC (11) Cl.** **26-05**

(52) **U.S. Cl.**
USPC **D26/65; D26/67**

(58) **Field of Classification Search**
USPC ... D10/111, 113.1, 113.2, 114.2, 114.6, 115;
D25/126, 127, 129; D26/60, 61, 63,
D26/65-71, 82, 92
CPC F21S 9/03; F21S 9/035; F21S 9/04; F21S
9/043; F21S 13/10; F21S 13/12; F21S
8/12; F21S 8/032; F21S 8/08; F21S
8/083; F21S 8/085; F21S 8/086; F21S
8/088

See application file for complete search history.

(56) **References Cited**

U.S. PATENT DOCUMENTS

D621,987	S	*	8/2010	Tsai	D26/69
D627,908	S	*	11/2010	Hu	D26/63
D627,909	S	*	11/2010	Hu	D26/63
D628,328	S	*	11/2010	Huang	D26/63
D630,785	S	*	1/2011	Kim	D26/63
D743,603	S	*	11/2015	Inskeep	D26/63
D770,657	S	*	11/2016	Fang	D26/63
D805,231	S	*	12/2017	Negrone	D26/63
9,851,088	B2	*	12/2017	Harvey	362/190
9,879,851	B2	*	1/2018	Ohno	F21V 29/767
2009/0303717	A1	*	12/2009	Long	F21K 9/00 362/249.02

OTHER PUBLICATIONS

Outside portable light (available online) Retrieved from the internet Aug. 31, 2018 from URLhttp://www.gzjgled.com/lithium-battery-rechargeable-outside-portable-lights-for-railway-maintenance-emergency_p85.html.*

* cited by examiner

Primary Examiner — Kevin K Rudzinski

Assistant Examiner — Richard Kearney

(74) *Attorney, Agent, or Firm* — Gokalp Bayramoglu

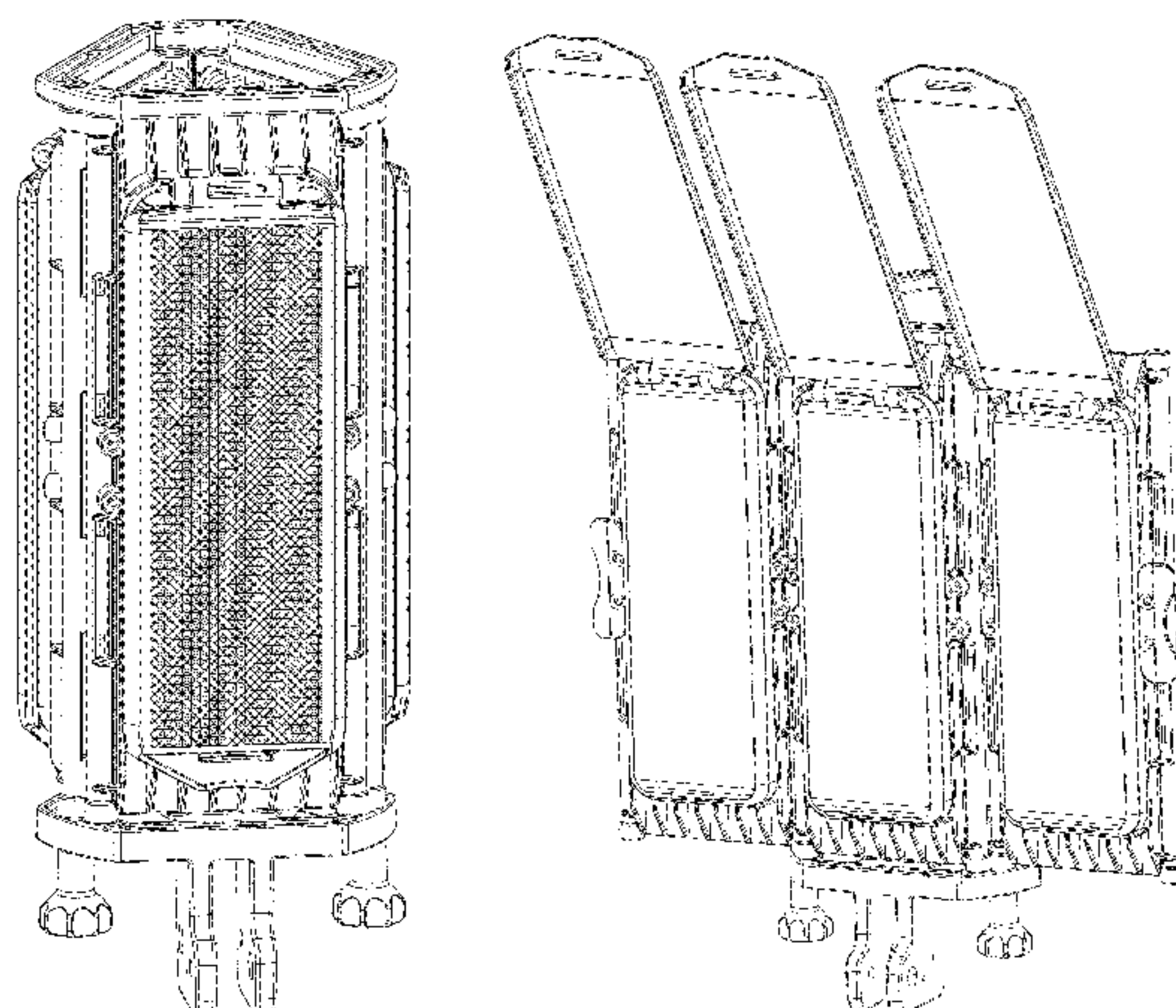
(57) **CLAIM**

The ornamental design for an outdoor lamp holder, as shown and described.

DESCRIPTION

FIG. 1 is a perspective view of an outdoor lamp holder; FIG. 2 is a front view of the outdoor lamp holder; FIG. 3 is a rear view of the outdoor lamp holder; FIG. 4 is a left view of the outdoor lamp holder; FIG. 5 is a right view of the outdoor lamp holder; FIG. 6 is a top side view of the outdoor lamp holder; FIG. 7 is a bottom side view of the outdoor lamp holder; FIG. 8 is another perspective view of an outdoor lamp holder when it is opened; FIG. 9 is another front view of the outdoor lamp holder when it is opened; FIG. 10 is another rear view of the outdoor lamp holder when it is opened; FIG. 11 is another left view of the outdoor lamp holder when it is opened; FIG. 12 is another right view of the outdoor lamp holder when it is opened; FIG. 13 is another top view of the outdoor lamp holder when it is opened; and, FIG. 14 is another bottom view of the outdoor lamp holder when it is opened.

(Continued)



The broken lines depict portions of an outdoor lamp holder in which the design is embodied that form no part of the claimed design.

1 Claim, 14 Drawing Sheets

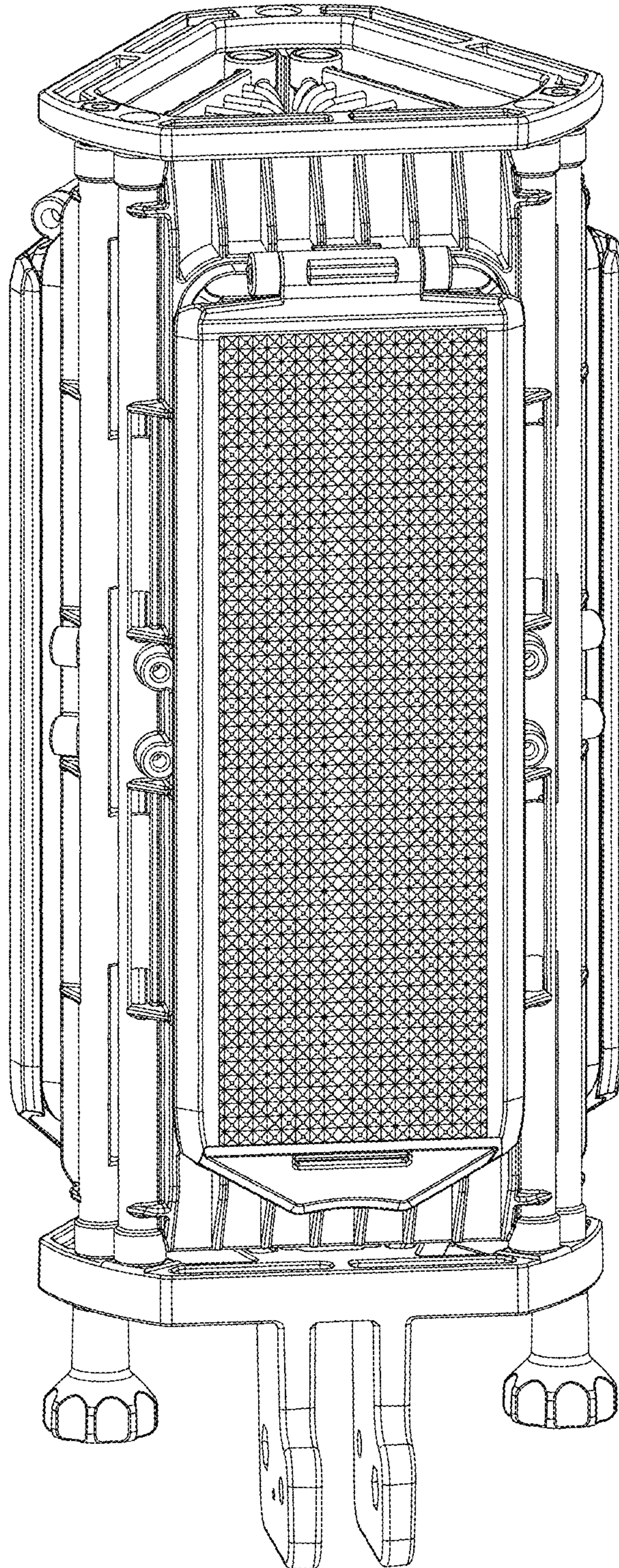


Fig. 1

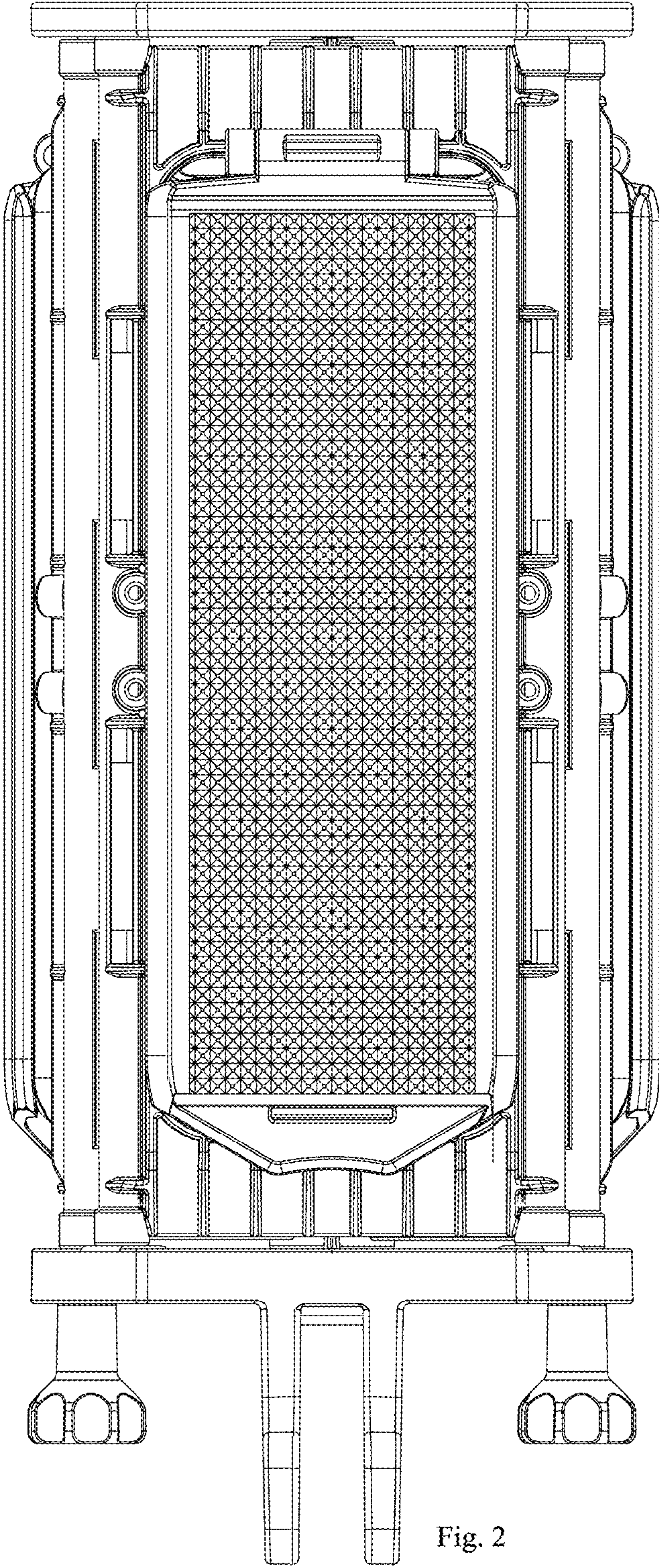


Fig. 2

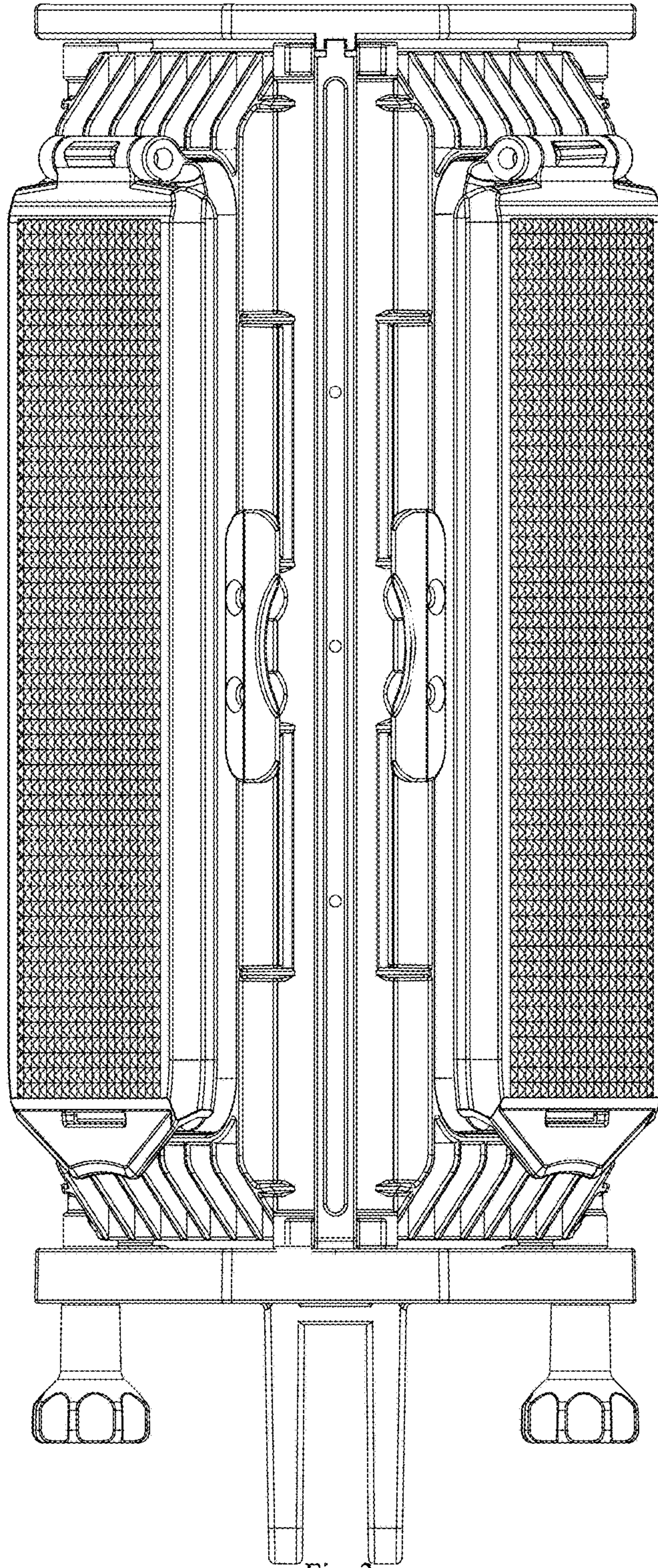


Fig. 3

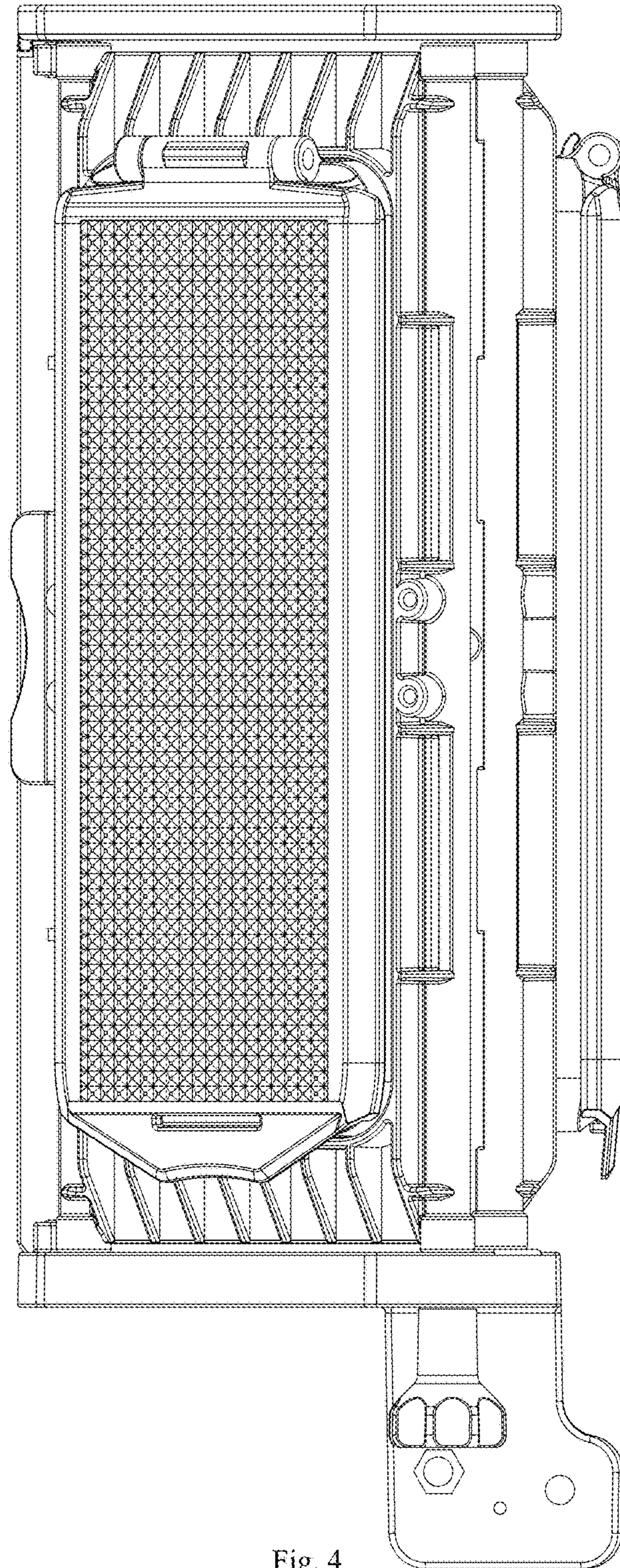


Fig. 4

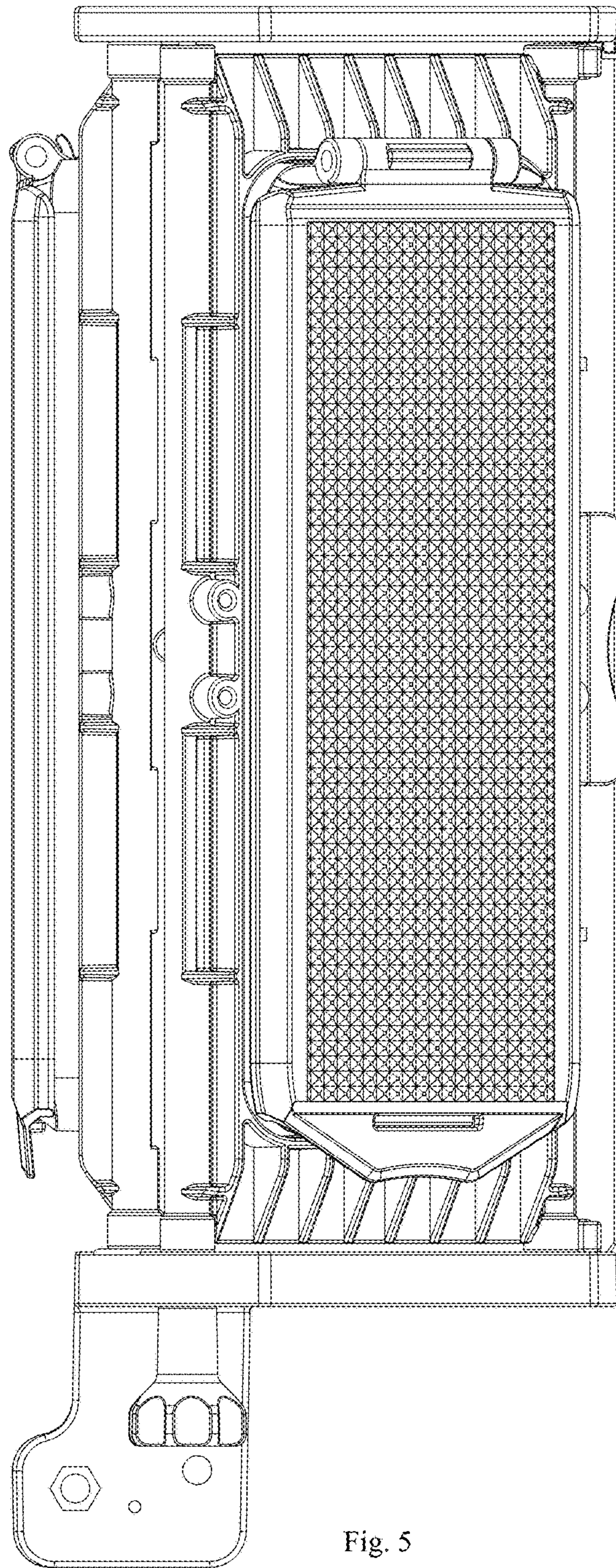


Fig. 5

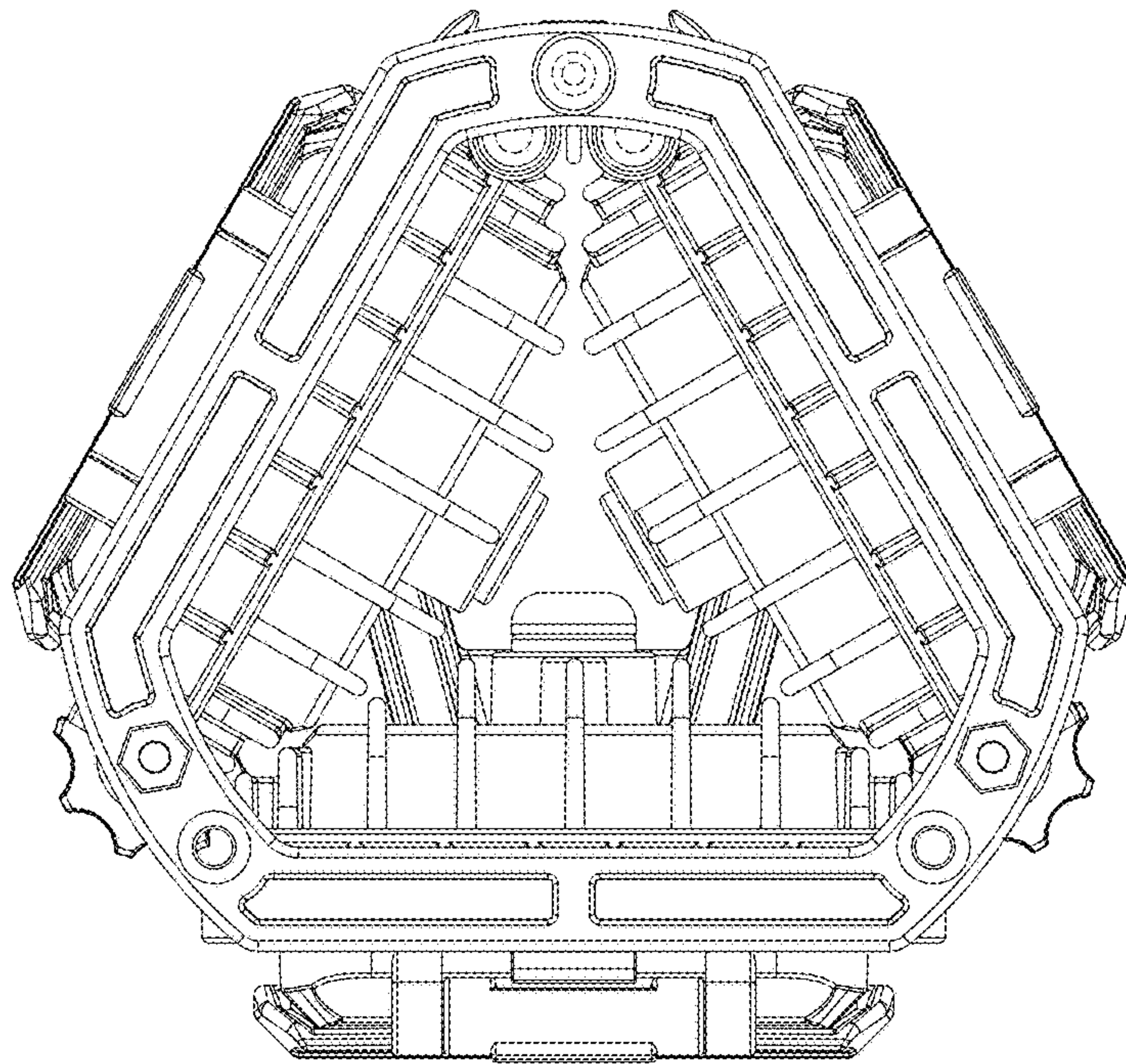


Fig. 6

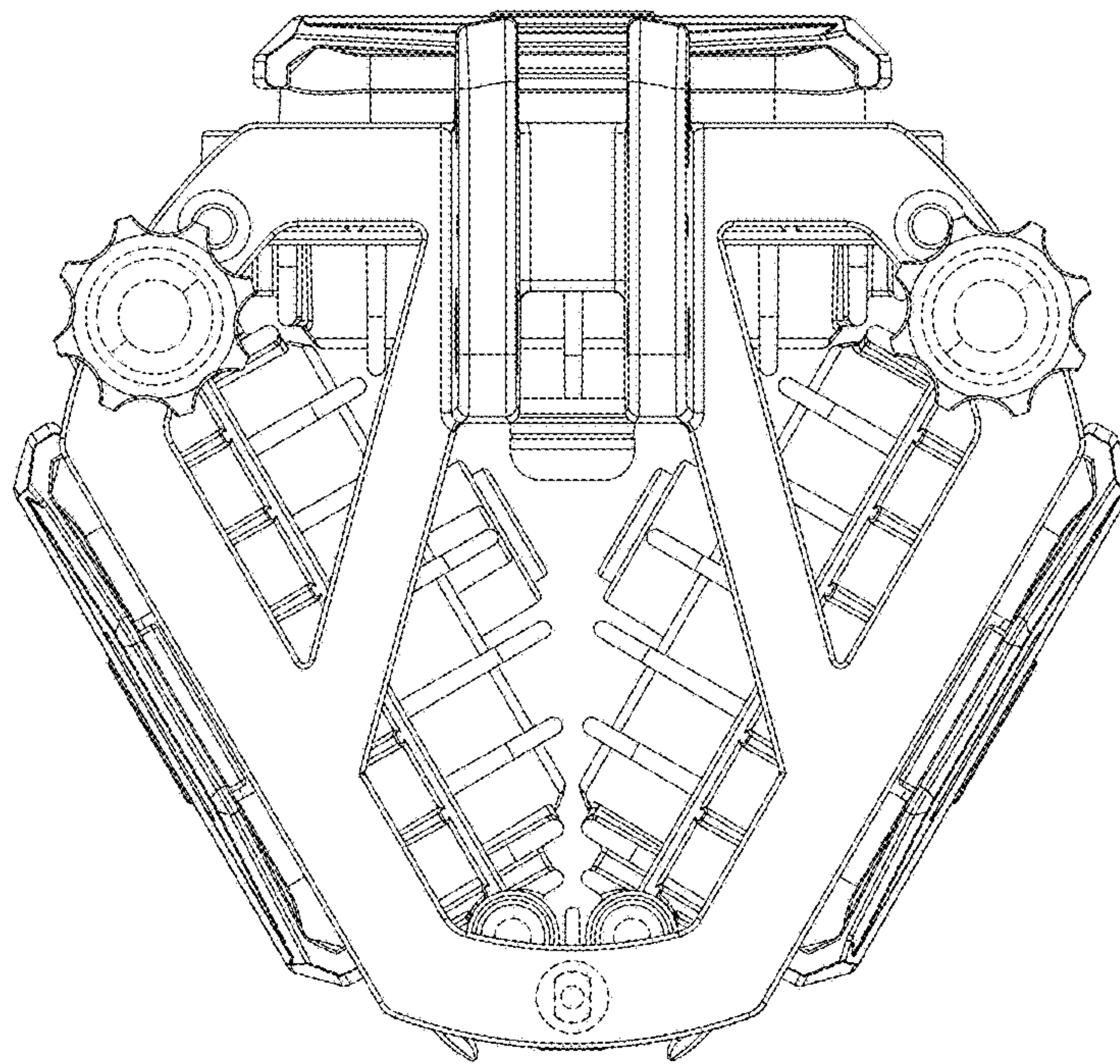


Fig. 7

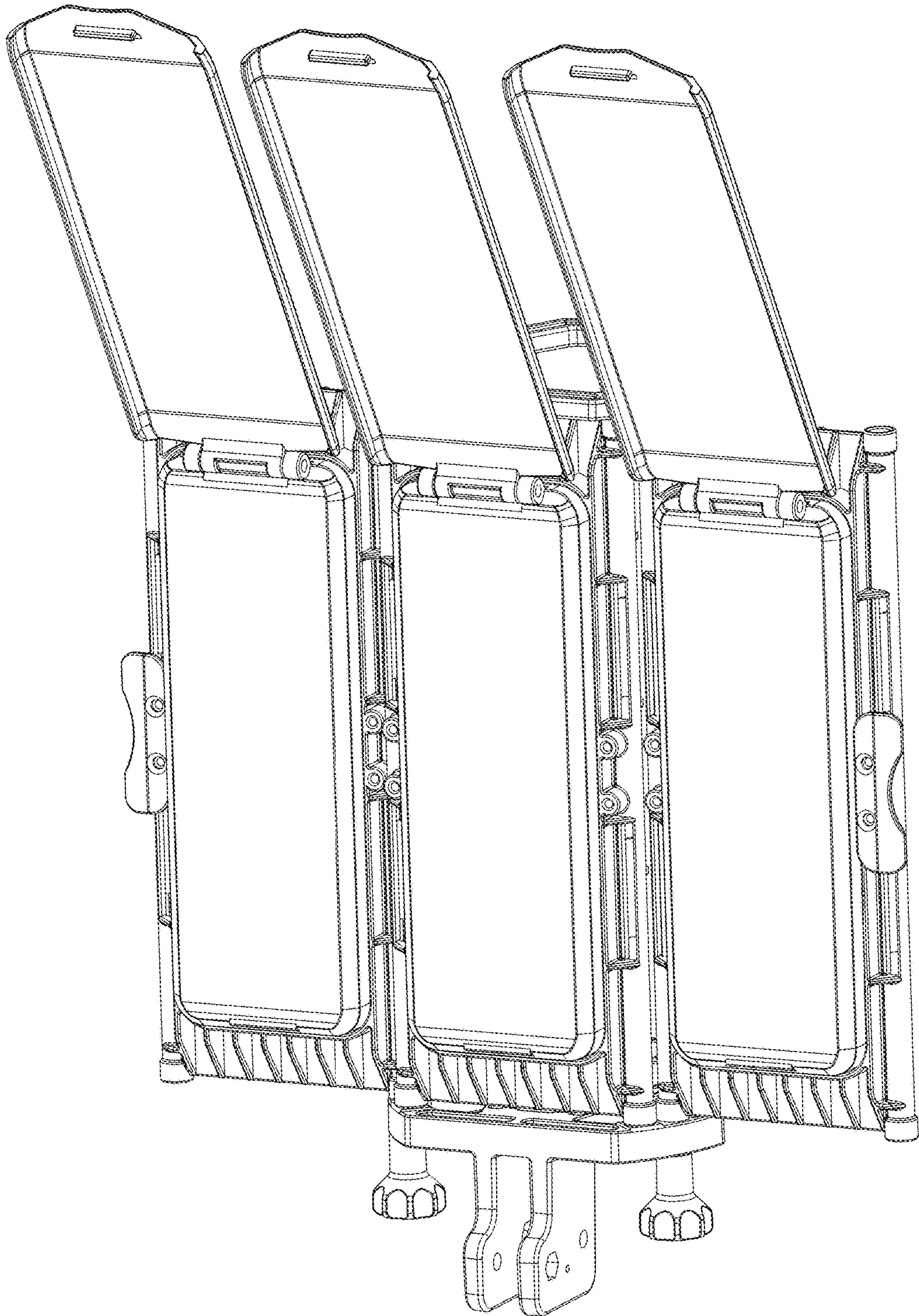


Fig. 8

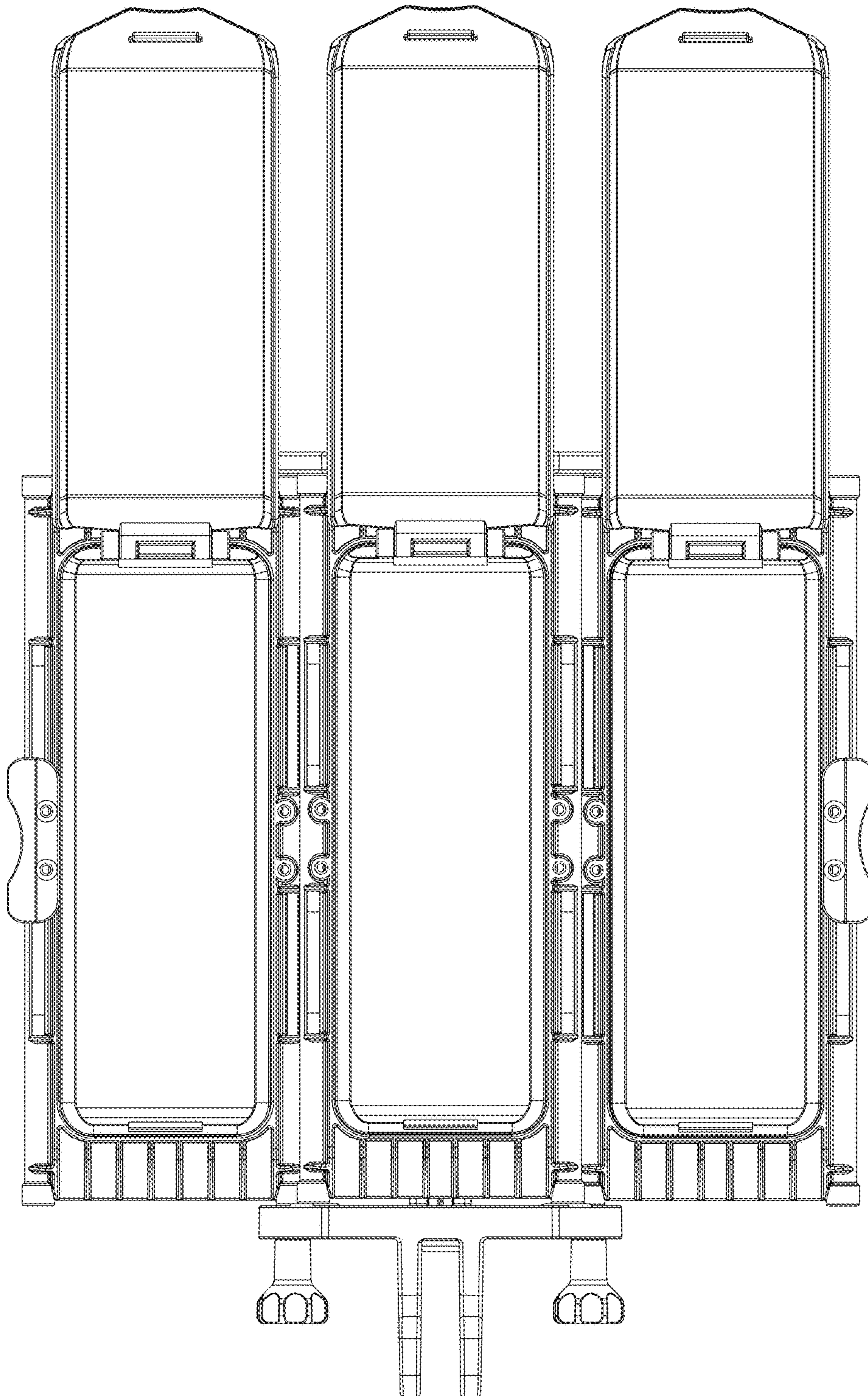


Fig. 9

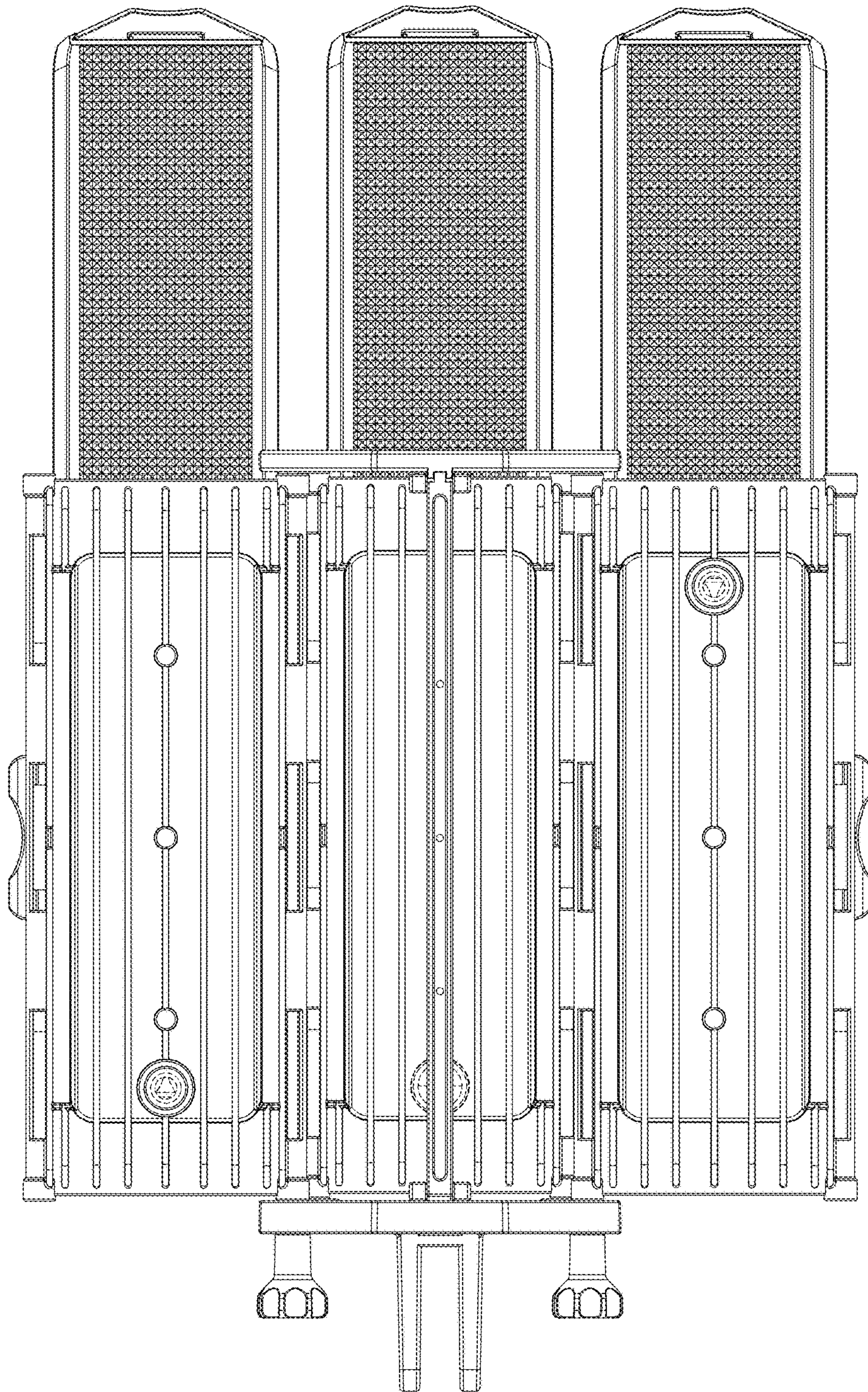


Fig. 10

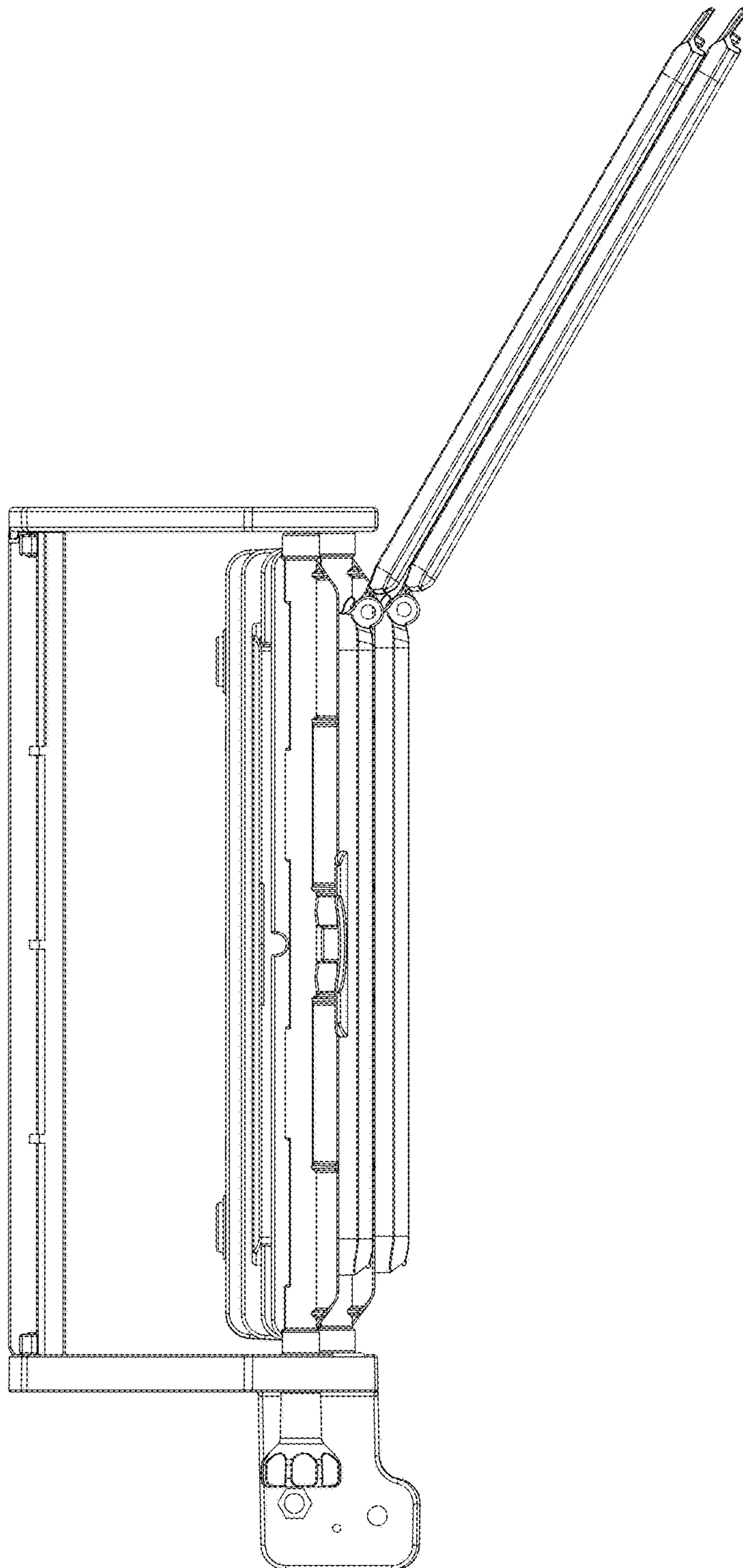


Fig. 11

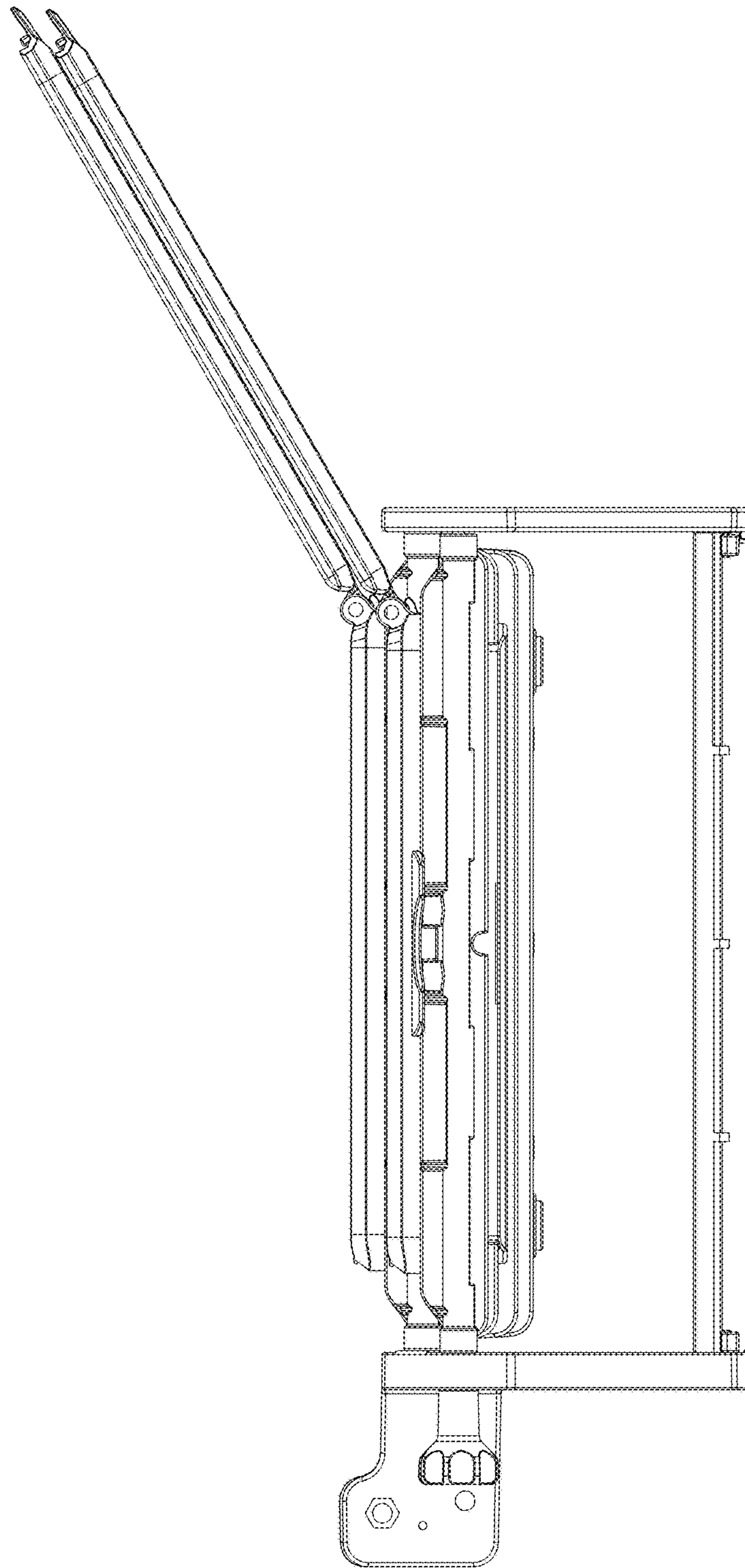


Fig. 12

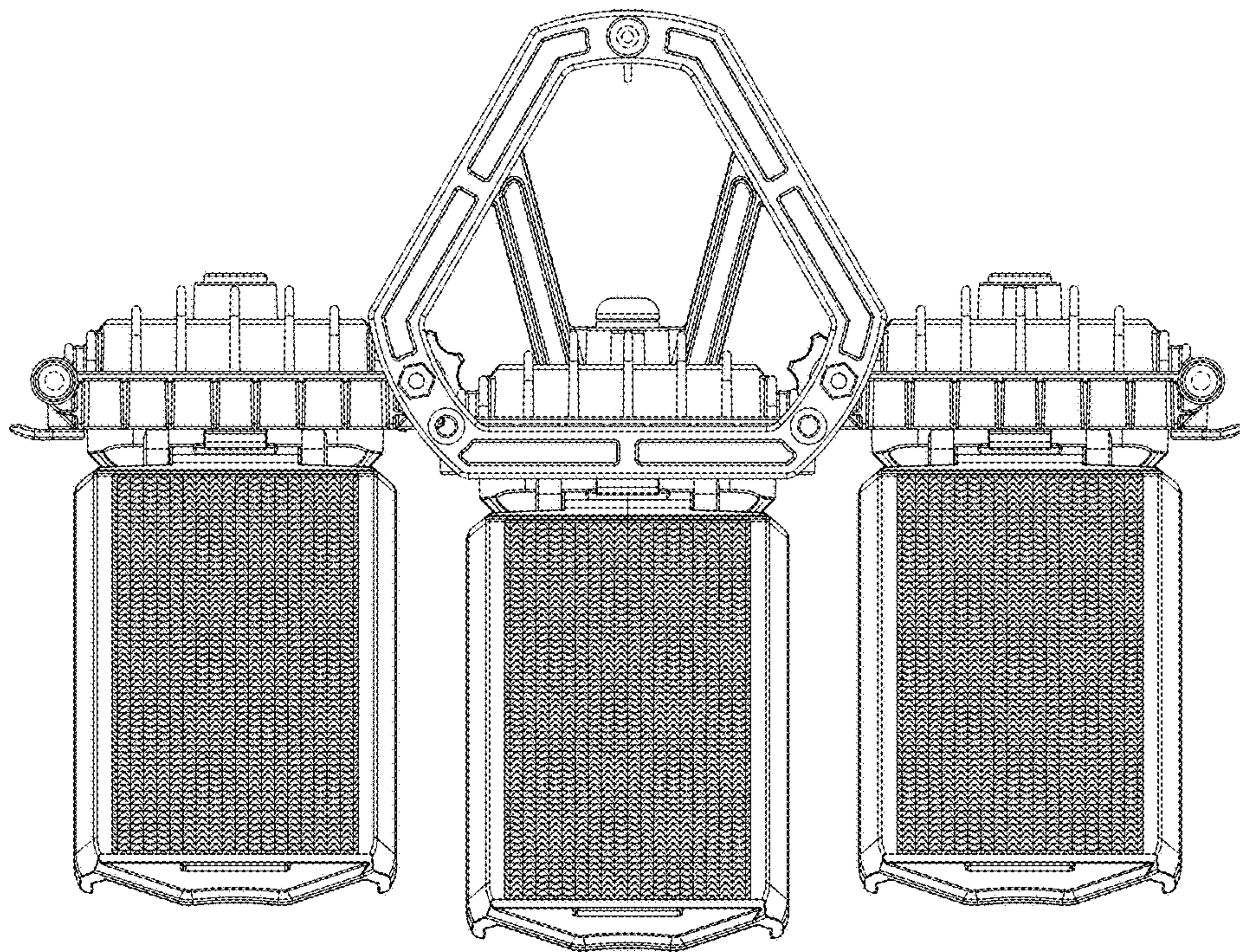


Fig. 13

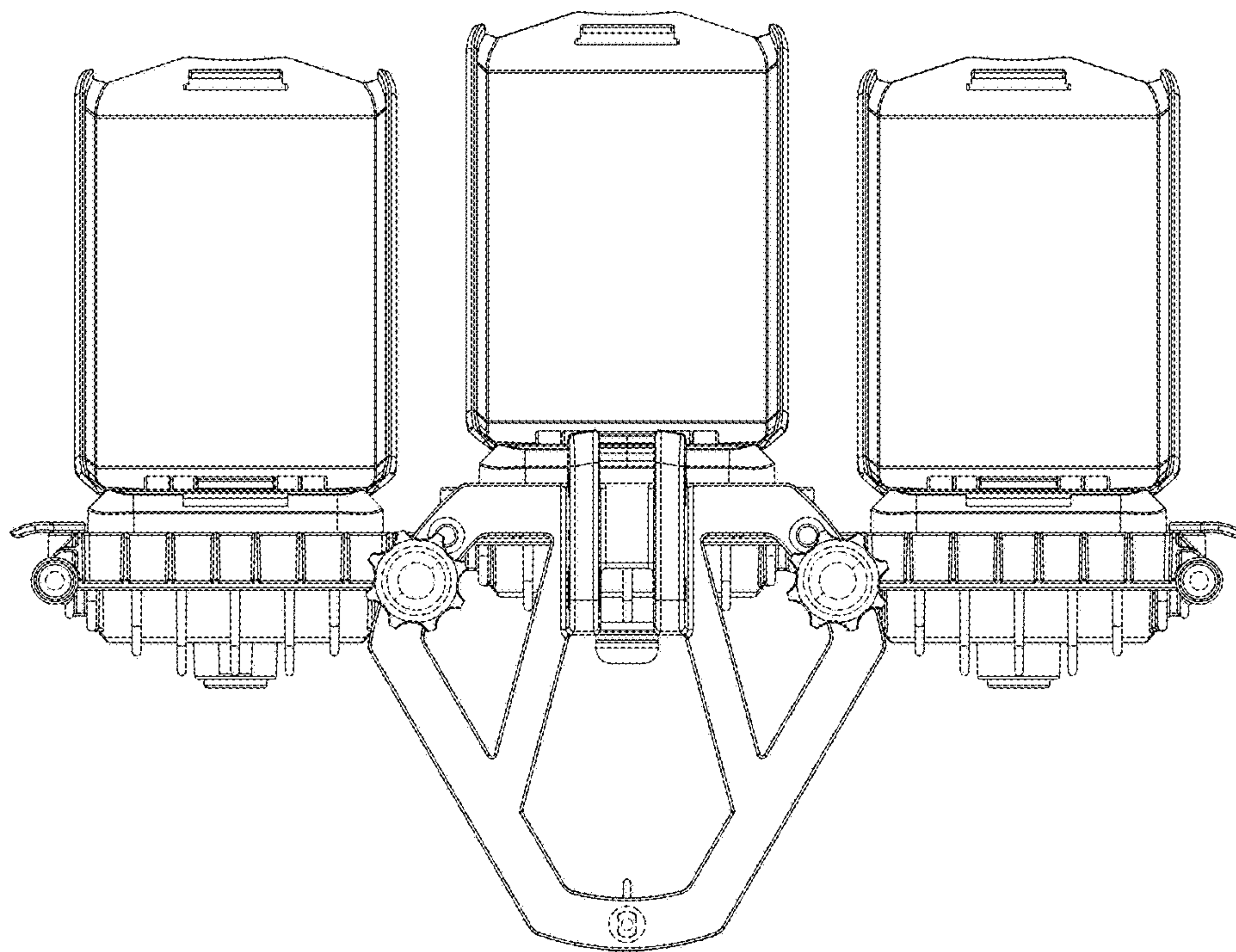


Fig. 14