



US00D849297S

(12) **United States Design Patent**
Deng

(10) **Patent No.:** **US D849,297 S**

(45) **Date of Patent:** **** May 21, 2019**

(54) **LED SPOT LIGHT**

(71) Applicant: **Dongguan Pan American Electronics Co., Ltd**, DongGuan, GuangDong (CN)

(72) Inventor: **Jinsheng Deng**, DongGuan (CN)

(73) Assignee: **DONGGUAN PAN AMERICAN ELECTRONICS CO., LTD**, Dongguan (CN)

(**) Term: **15 Years**

(21) Appl. No.: **29/606,885**

(22) Filed: **Jun. 8, 2017**

(30) **Foreign Application Priority Data**

Apr. 18, 2017 (CN) 2017 3 0130277

(51) **LOC (11) Cl.** **26-03**

(52) **U.S. Cl.**
USPC **D26/63**

(58) **Field of Classification Search**
USPC D26/1, 24, 61, 63, 65, 85, 92
CPC F21V 21/14; F21V 15/01; F21V 14/02;
F21V 21/30; F21V 21/00; F21V 14/00;
F21S 8/00; F21S 8/003; F21S 8/043;
F21Y 2105/001

See application file for complete search history.

(56) **References Cited**

U.S. PATENT DOCUMENTS

D417,519 S *	12/1999	Cutler	D26/63
D667,981 S *	9/2012	Connolly	D26/63
D723,726 S *	3/2015	Reed	D26/63
D735,923 S *	8/2015	Helms	D26/63
D745,202 S *	12/2015	Guercio	D26/63
D773,709 S *	12/2016	Yang	D26/63
D818,171 S *	5/2018	Brynjolfsson	D26/63

* cited by examiner

Primary Examiner — Brian N. Vinson

(74) *Attorney, Agent, or Firm* — Ladas & Parry LLP

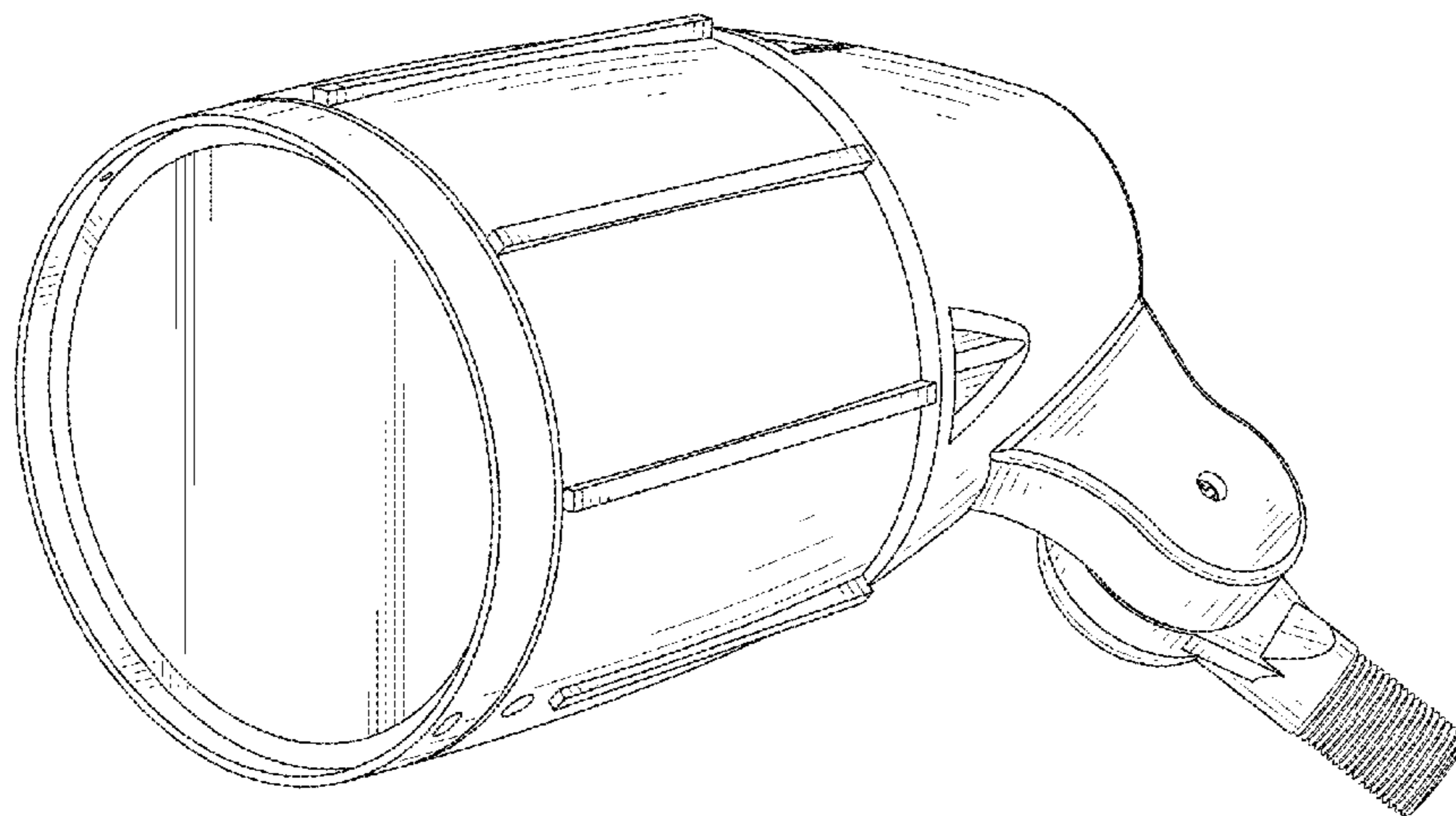
(57) **CLAIM**

The ornamental design for a LED spot light, as shown and described.

DESCRIPTION

FIG. 1 is a perspective view of a LED spot light showing our new design;
FIG. 2 is a front elevational view thereof;
FIG. 3 is a rear elevational view thereof;
FIG. 4 is a left side elevational view thereof;
FIG. 5 is a right side elevational view thereof;
FIG. 6 is a top plan view thereof; and,
FIG. 7 is a bottom plan view thereof.

1 Claim, 7 Drawing Sheets



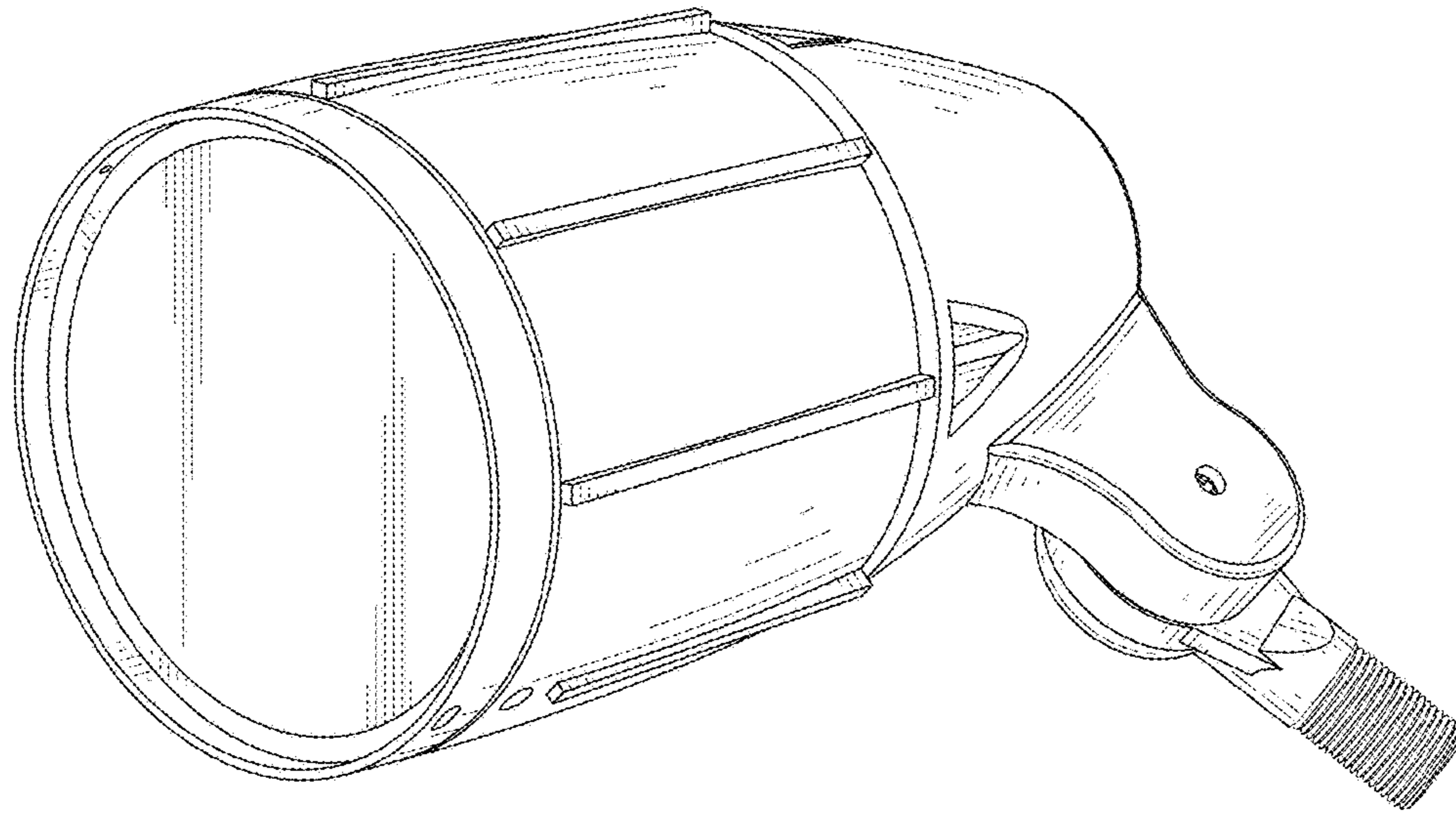


FIG. 1

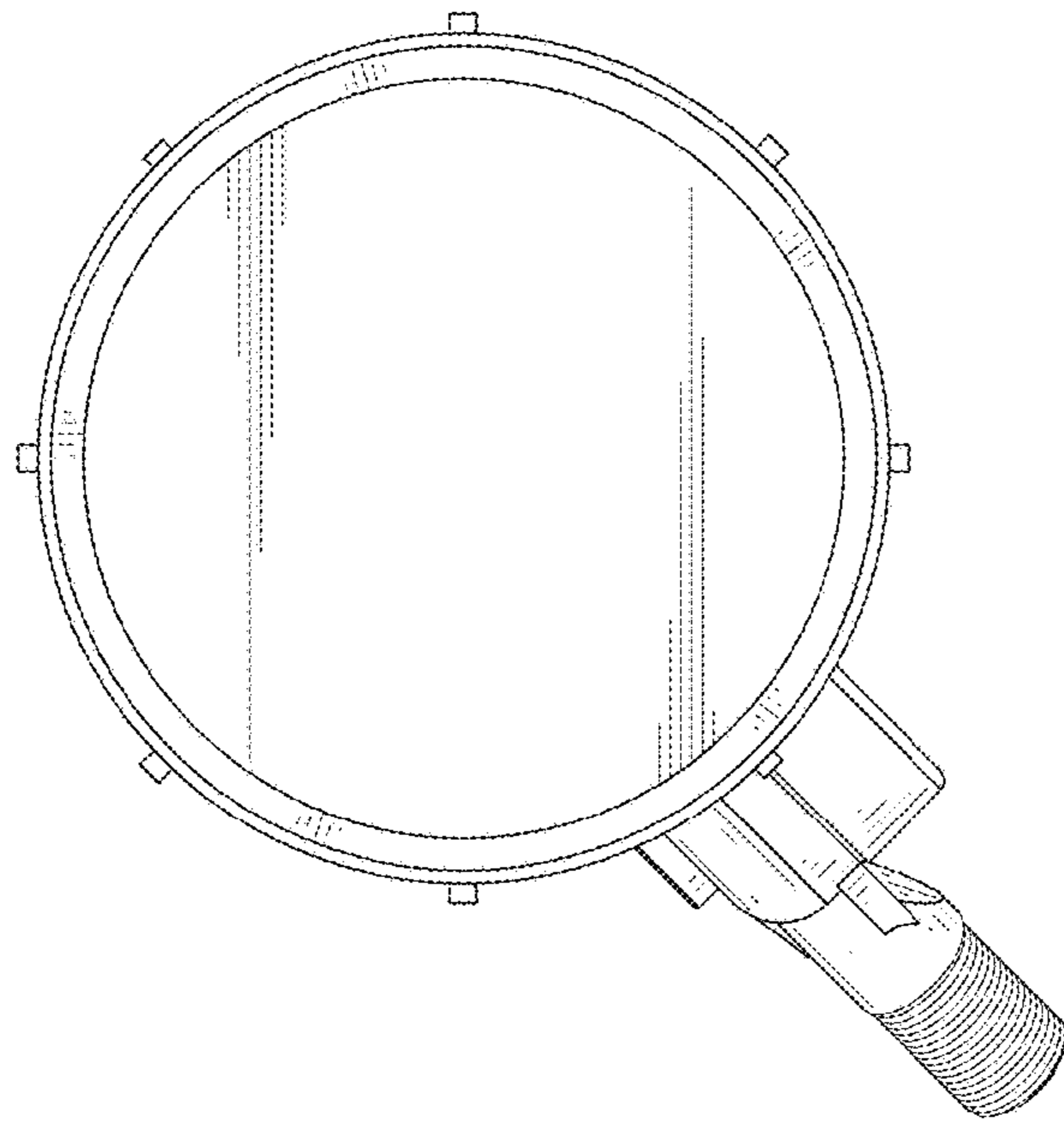


FIG. 2

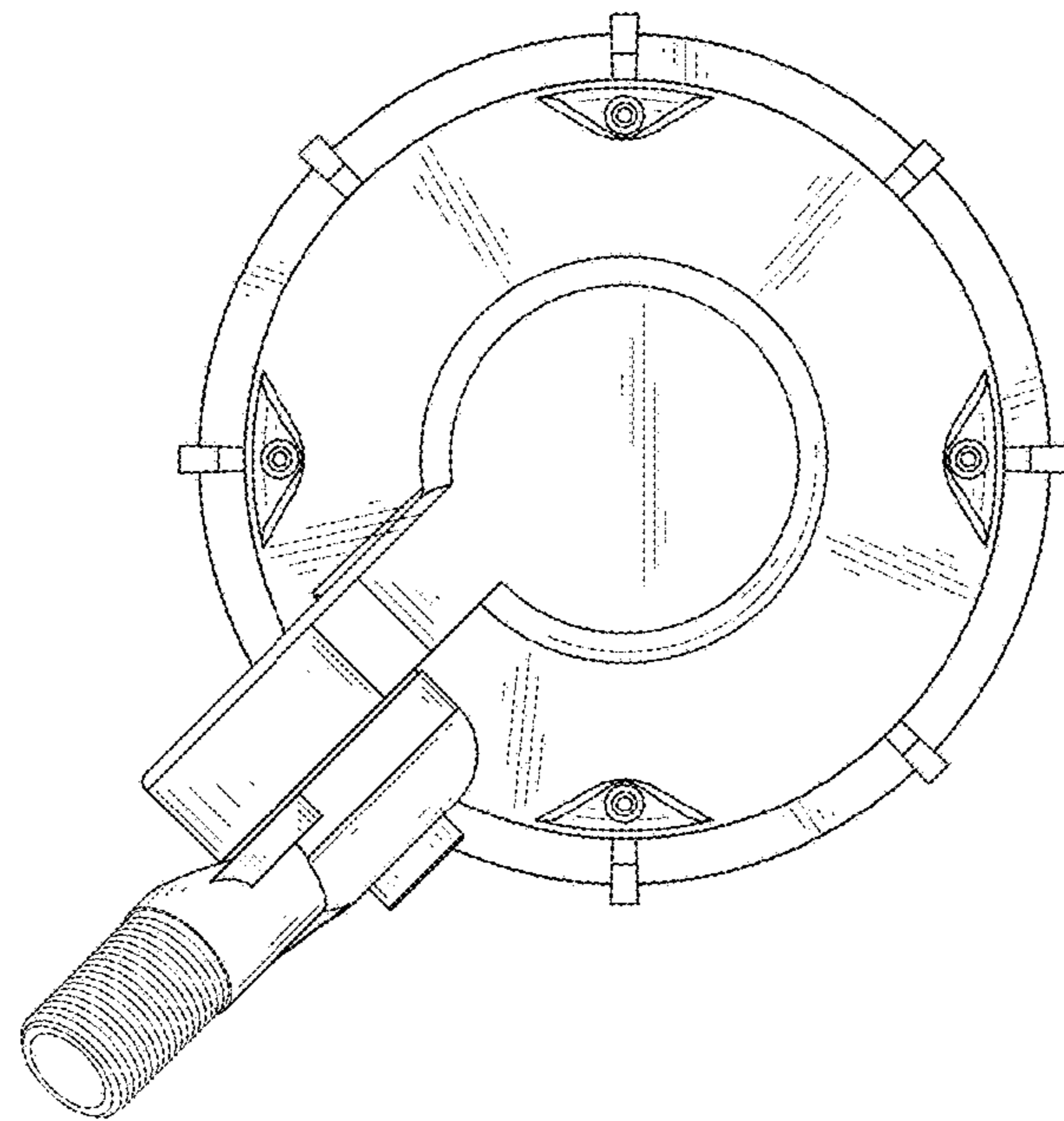


FIG. 3

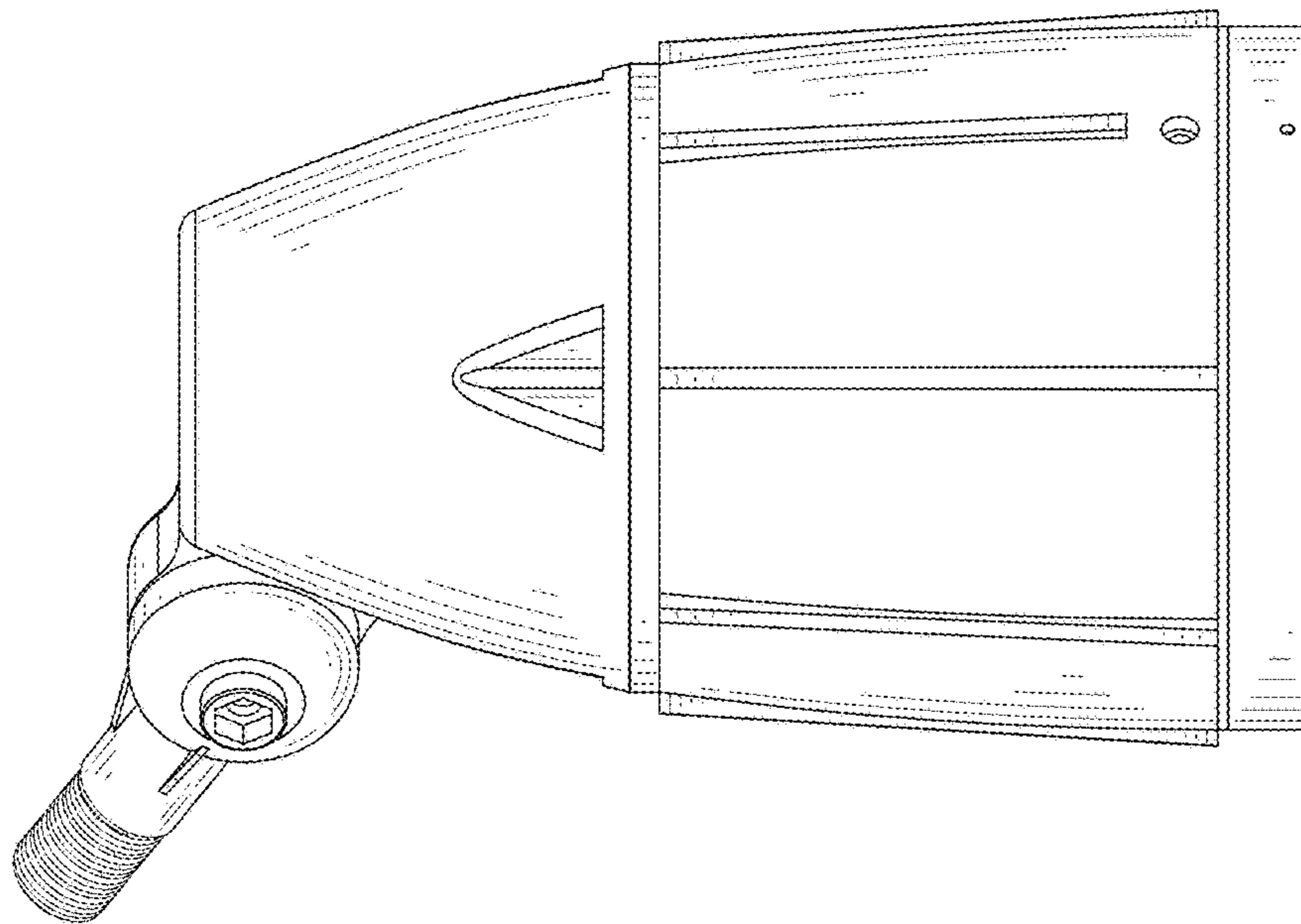


FIG. 4

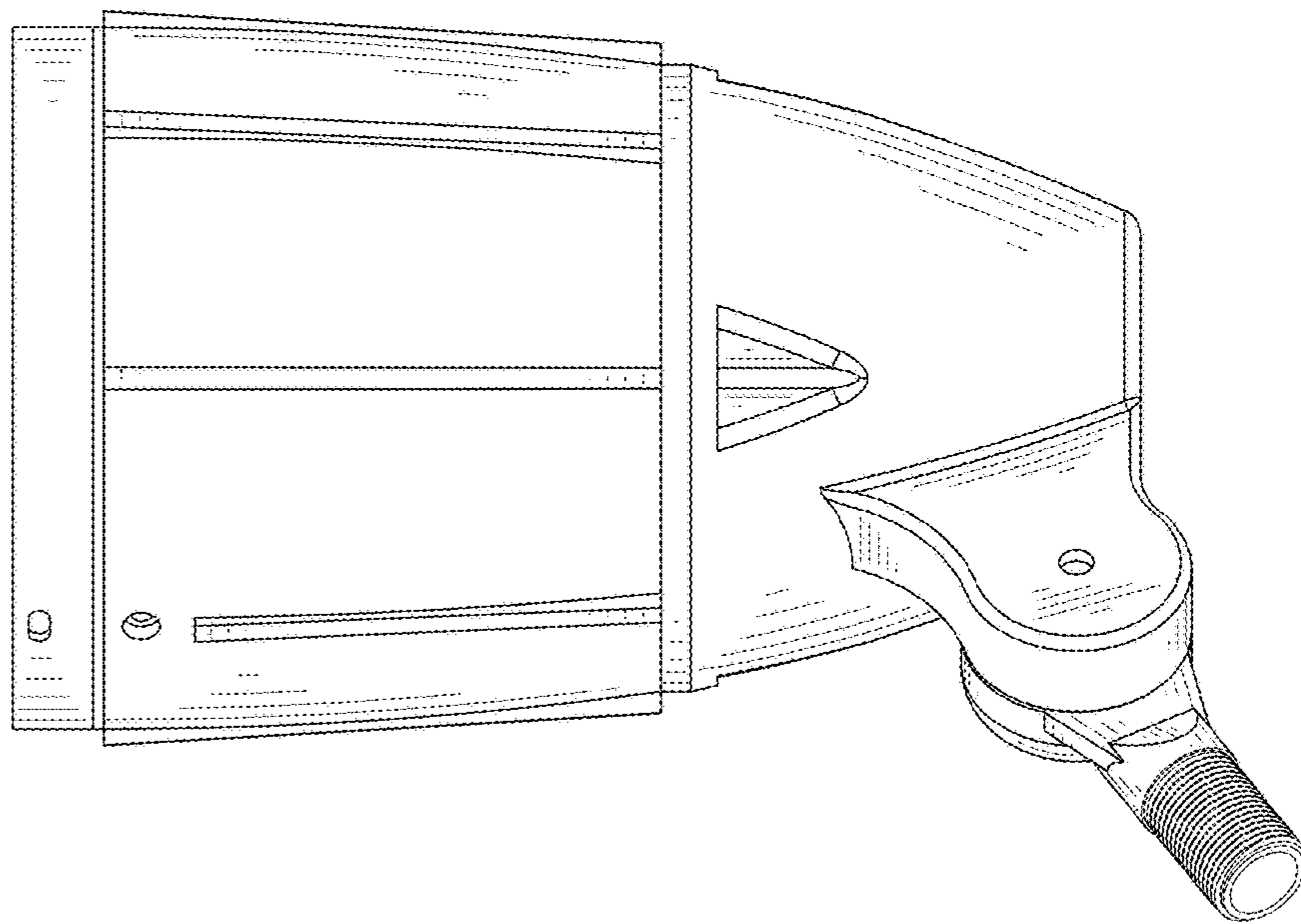


FIG. 5

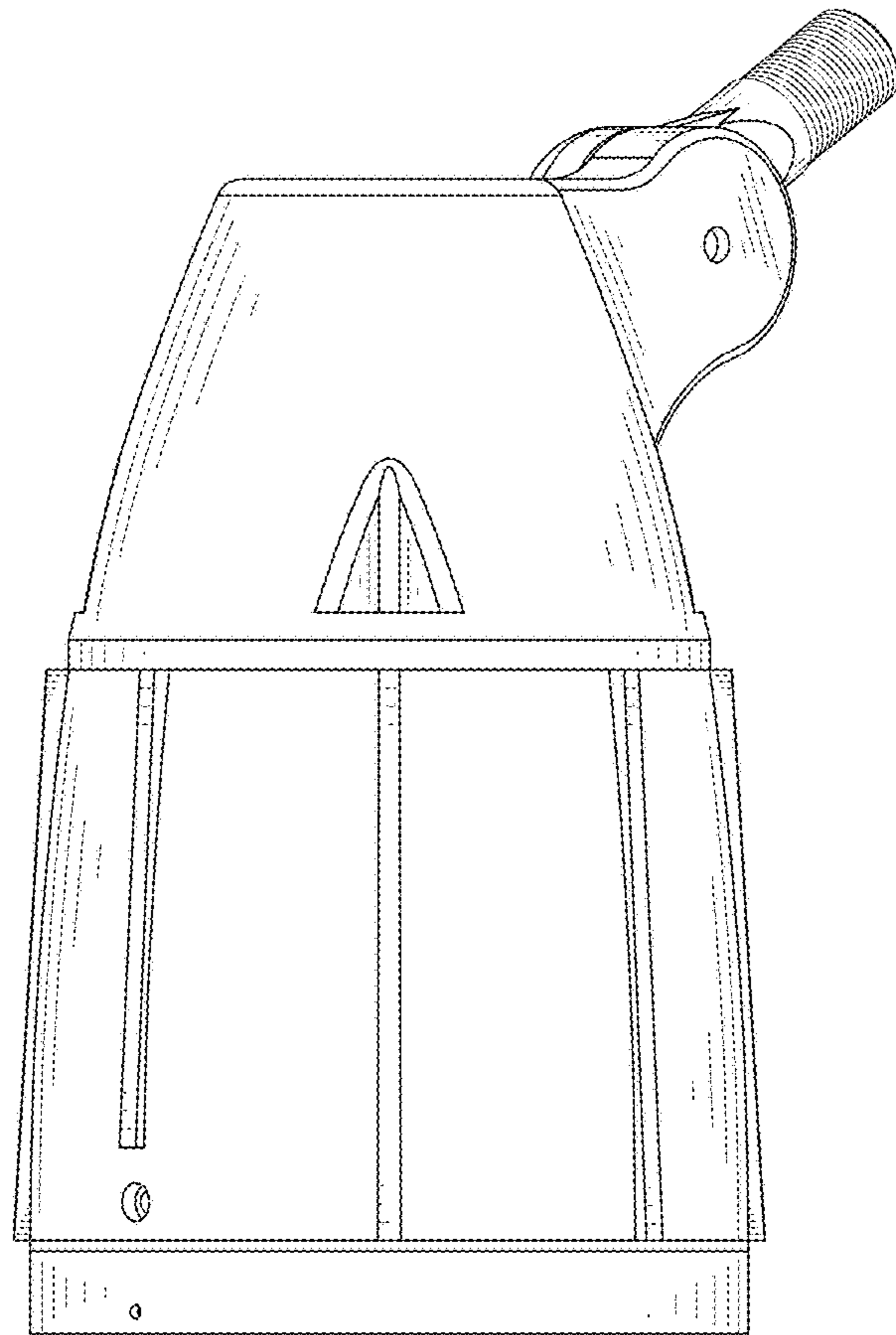


FIG. 6

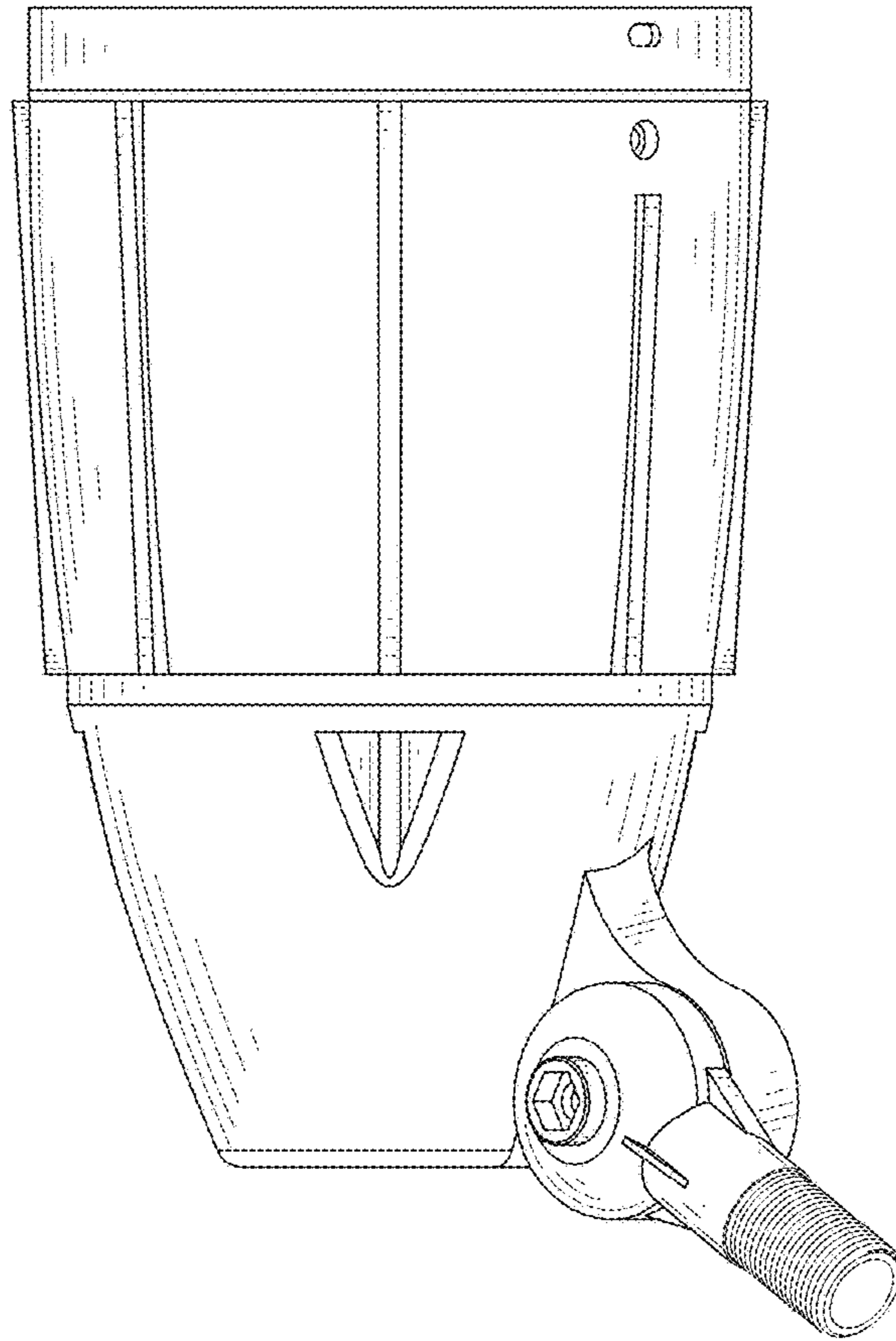


FIG. 7