



US00D849296S

(12) **United States Design Patent**
Inskeep et al.

(10) **Patent No.:** **US D849,296 S**
(45) **Date of Patent:** **** May 21, 2019**

- (54) **SPOTLIGHT**
- (71) Applicants: **Mathew Inskeep**, Highland Beach, FL (US); **Ling To Shum**, Boca Raton, FL (US)
- (72) Inventors: **Mathew Inskeep**, Highland Beach, FL (US); **Ling To Shum**, Boca Raton, FL (US)

D718,481 S *	11/2014	Lee	D26/45
D748,310 S *	1/2016	Inskeep	D26/45
D754,380 S *	4/2016	Inskeep	D26/45
D754,381 S *	4/2016	Inskeep	D26/45
D759,870 S *	6/2016	Hine	D26/45
D782,091 S *	3/2017	Inskeep	D26/45
D788,341 S *	5/2017	Inskeep	D26/45

(**) Term: **15 Years**

(21) Appl. No.: **29/601,088**

(22) Filed: **Apr. 19, 2017**

(51) **LOC (11) Cl.** **26-02**

(52) **U.S. Cl.**
USPC **D26/45**

(58) **Field of Classification Search**
USPC D26/37-51
CPC F21L 2003/00; F21L 4/00; F21L 4/005;
F21L 4/02; F21L 4/025; F21L 4/027;
F21L 4/04; F21L 4/08; F21L 2005/00;
F21L 7/00; F21L 11/00; F21L 13/00;
F21L 13/04; F21L 13/08; F21L 14/02;
F21L 17/00; F21L 19/00; F21L 25/00
See application file for complete search history.

(56) **References Cited**

U.S. PATENT DOCUMENTS

D466,637 S *	12/2002	Gisser	D26/45
D500,155 S *	12/2004	Lee	D26/45
D532,136 S *	11/2006	Krieger	D26/45
D603,540 S *	11/2009	Shum	D26/45
D646,816 S *	10/2011	Wang	D26/45
D657,901 S *	4/2012	Cheung Shing Hei	D26/45
D658,325 S *	4/2012	Inskeep	D26/45
D662,240 S *	6/2012	Inskeep	D26/45
D711,574 S *	8/2014	Shen	D26/45

OTHER PUBLICATIONS

Black+Decker WPAK5B 500 Lumen Waterproof 5W LED Spotlight,[online], [site visited Jan. 22, 2019]Available from Internet, <URL:https://www.amazon.com/BLACK-DECKER-WPAK5B-Waterproof-Spotlight>,3 pages (Year: 2017).*

* cited by examiner

Primary Examiner — Lakiya G Rogers
Assistant Examiner — Carissa C Fitts

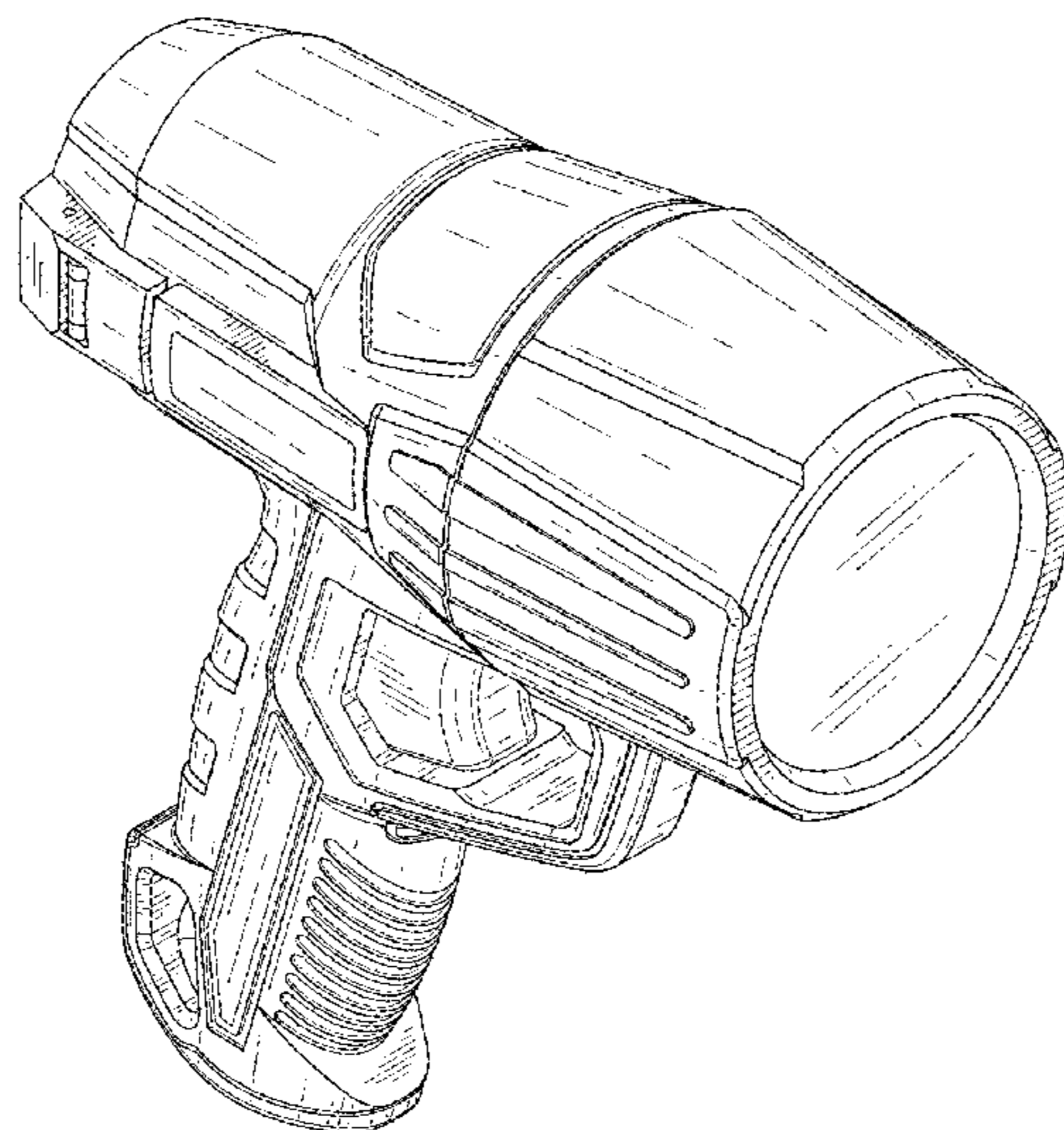
(57) **CLAIM**

We claim the ornamental design for a spotlight, as shown and described.

DESCRIPTION

FIG. 1 is a top perspective view of the spotlight showing our new design.
FIG. 2 is a back perspective view thereof.
FIG. 3 is a bottom perspective view.
FIG. 4 is a top view thereof.
FIG. 5 is a bottom view thereof.
FIG. 6 is a right side view thereof.
FIG. 7 is a left side view thereof.
FIG. 8 is a front view thereof; and,
FIG. 9 is a back view thereof.
The broken lines show portions of the article which form no part of the claimed design.

1 Claim, 9 Drawing Sheets



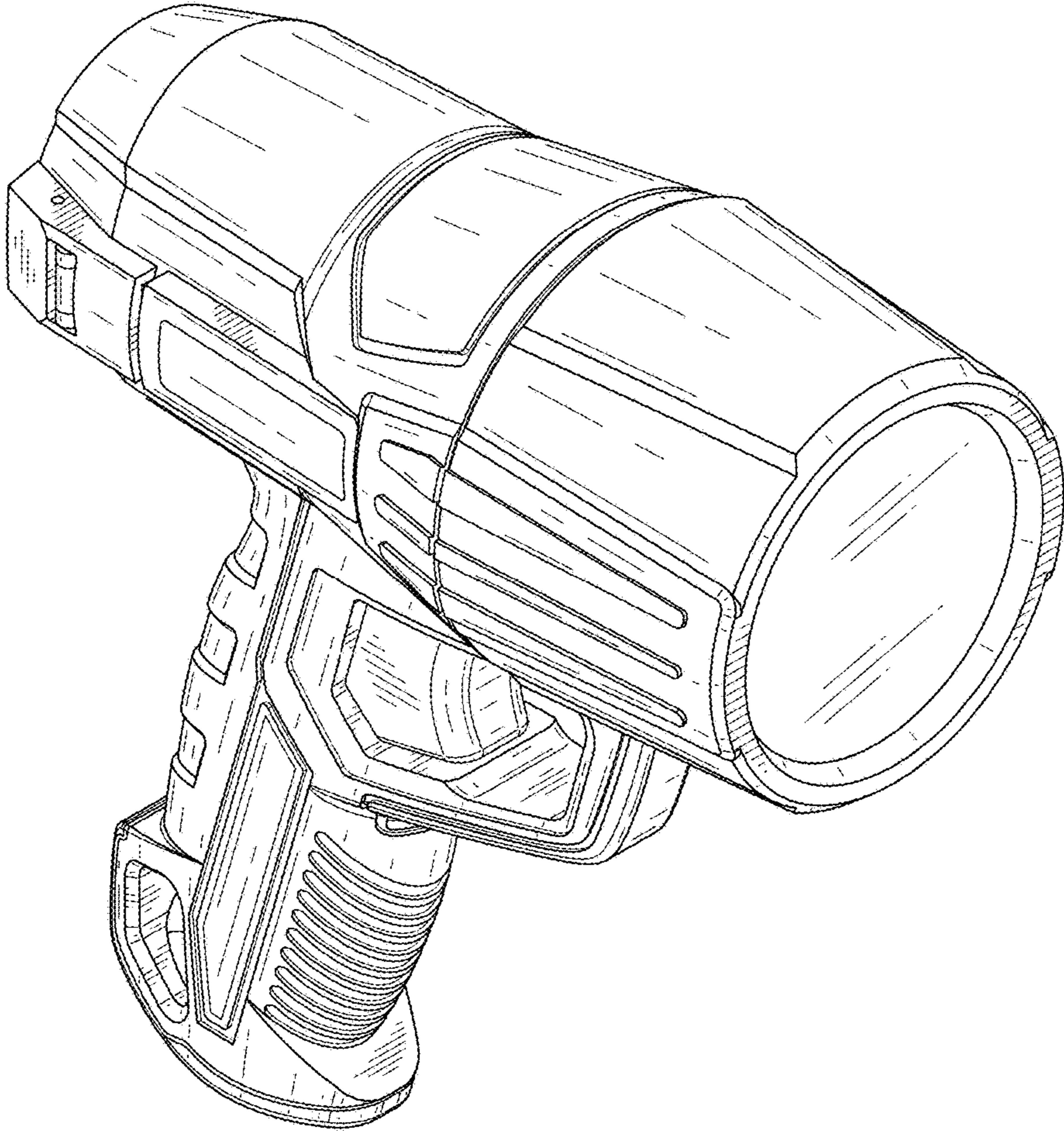


FIG. 1

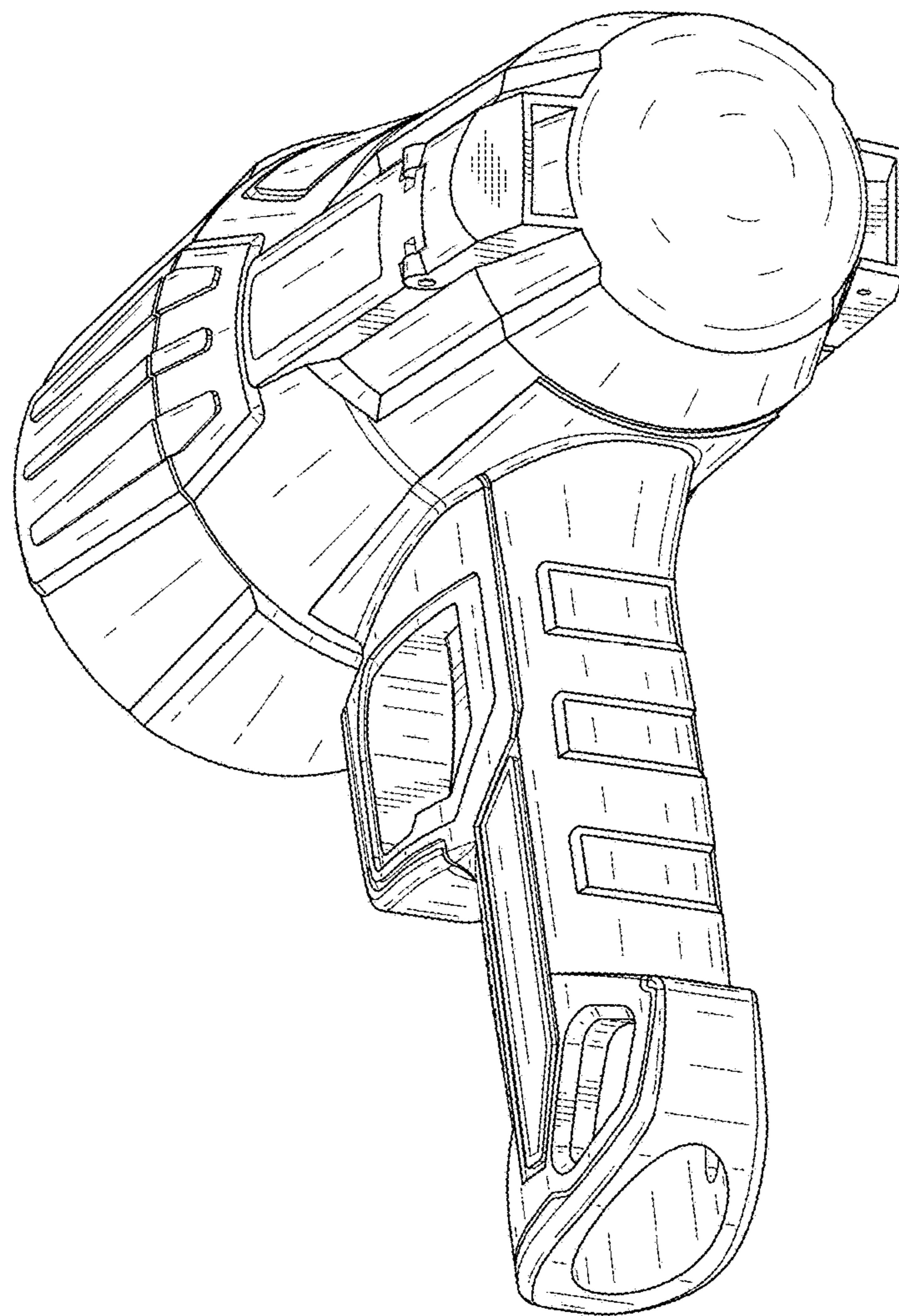


FIG. 2

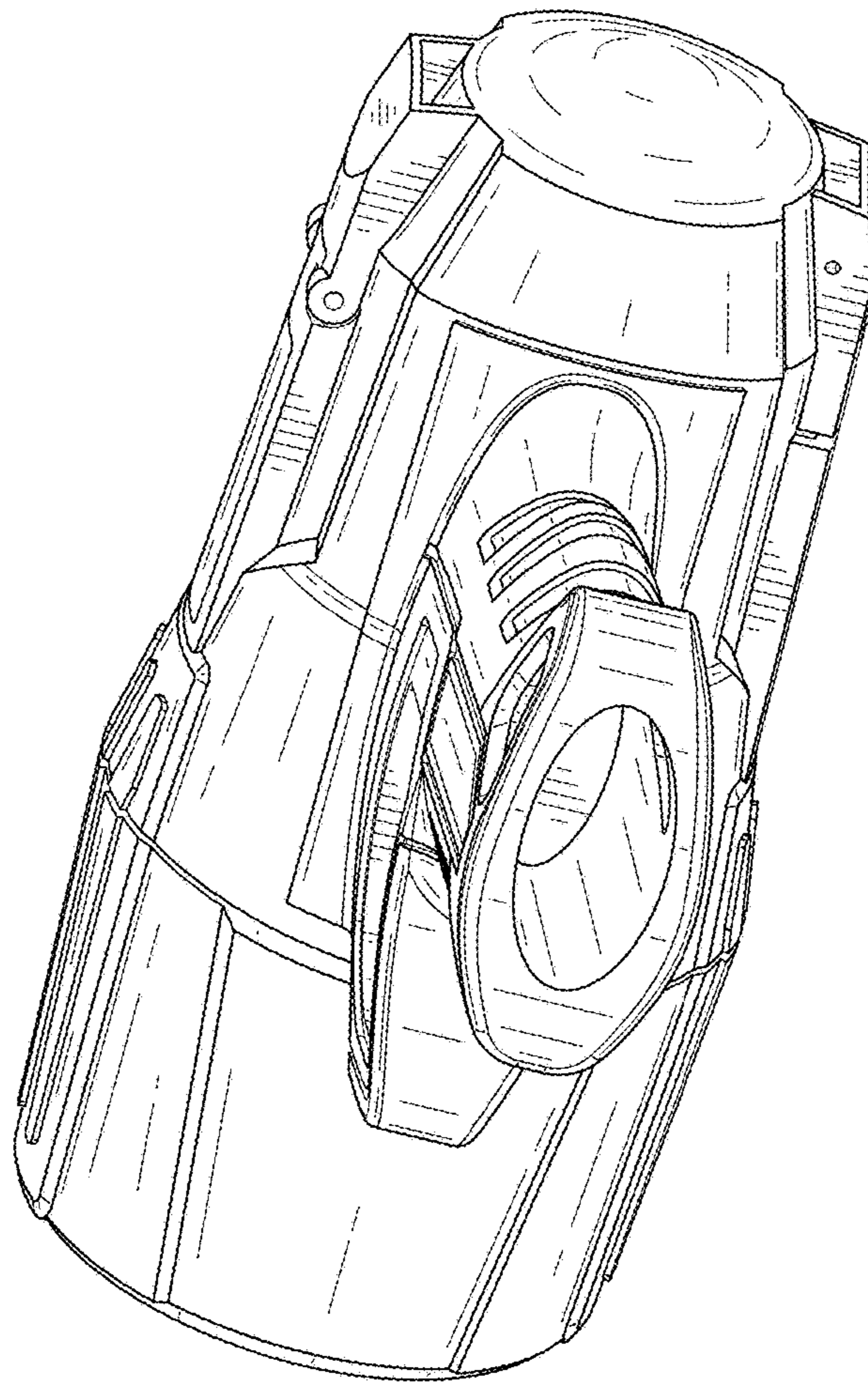


FIG. 3

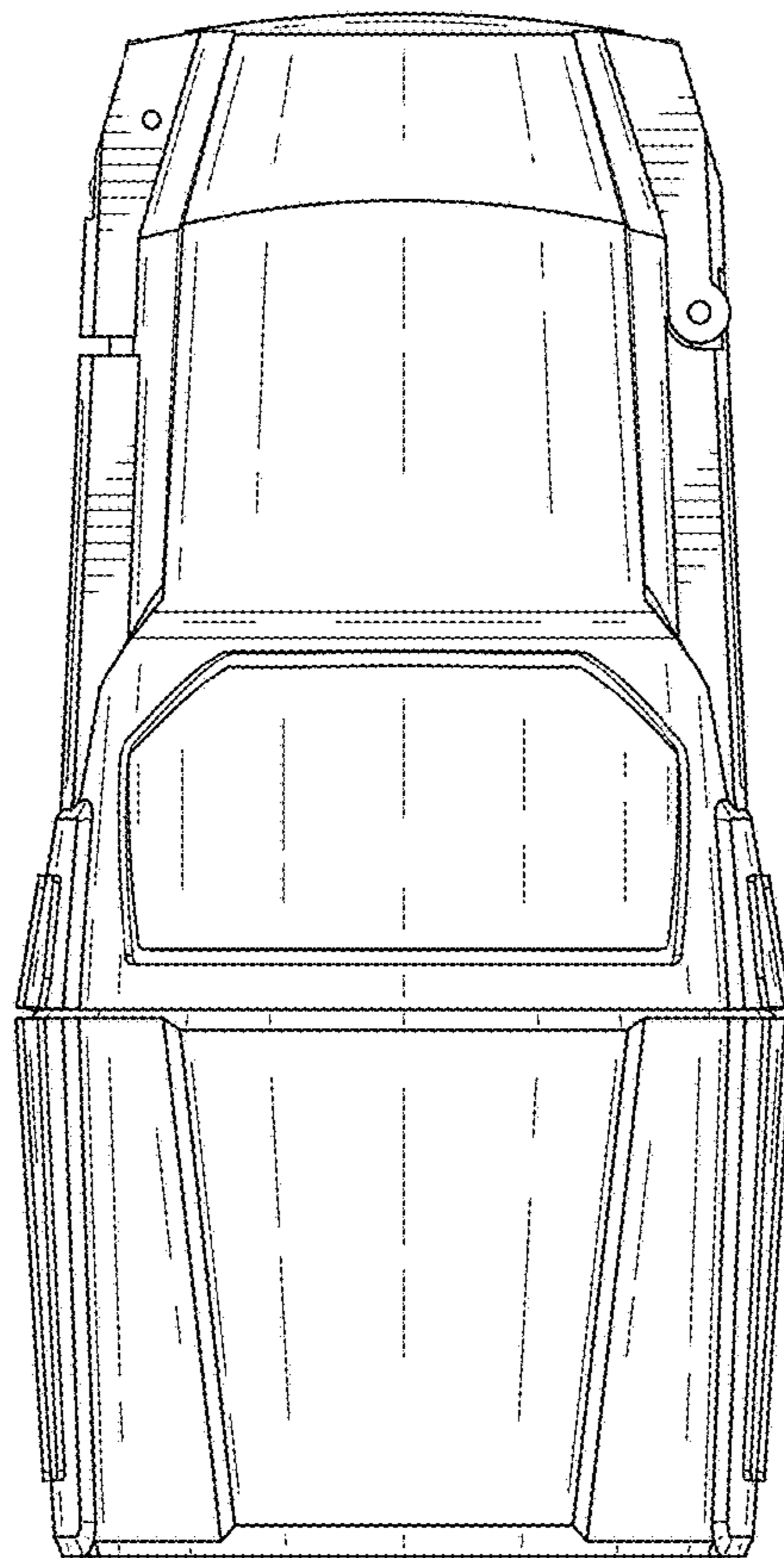


FIG. 4

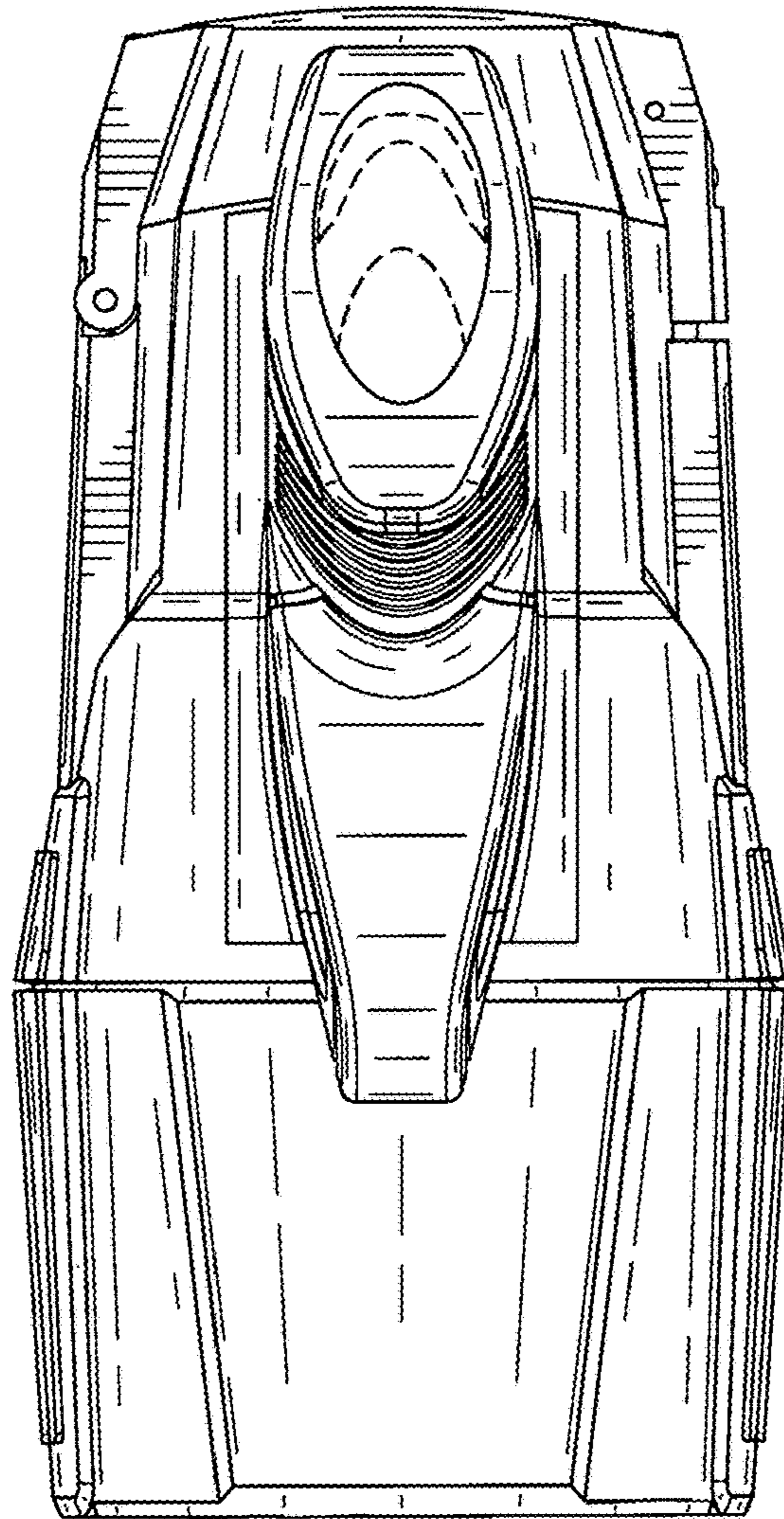


FIG. 5

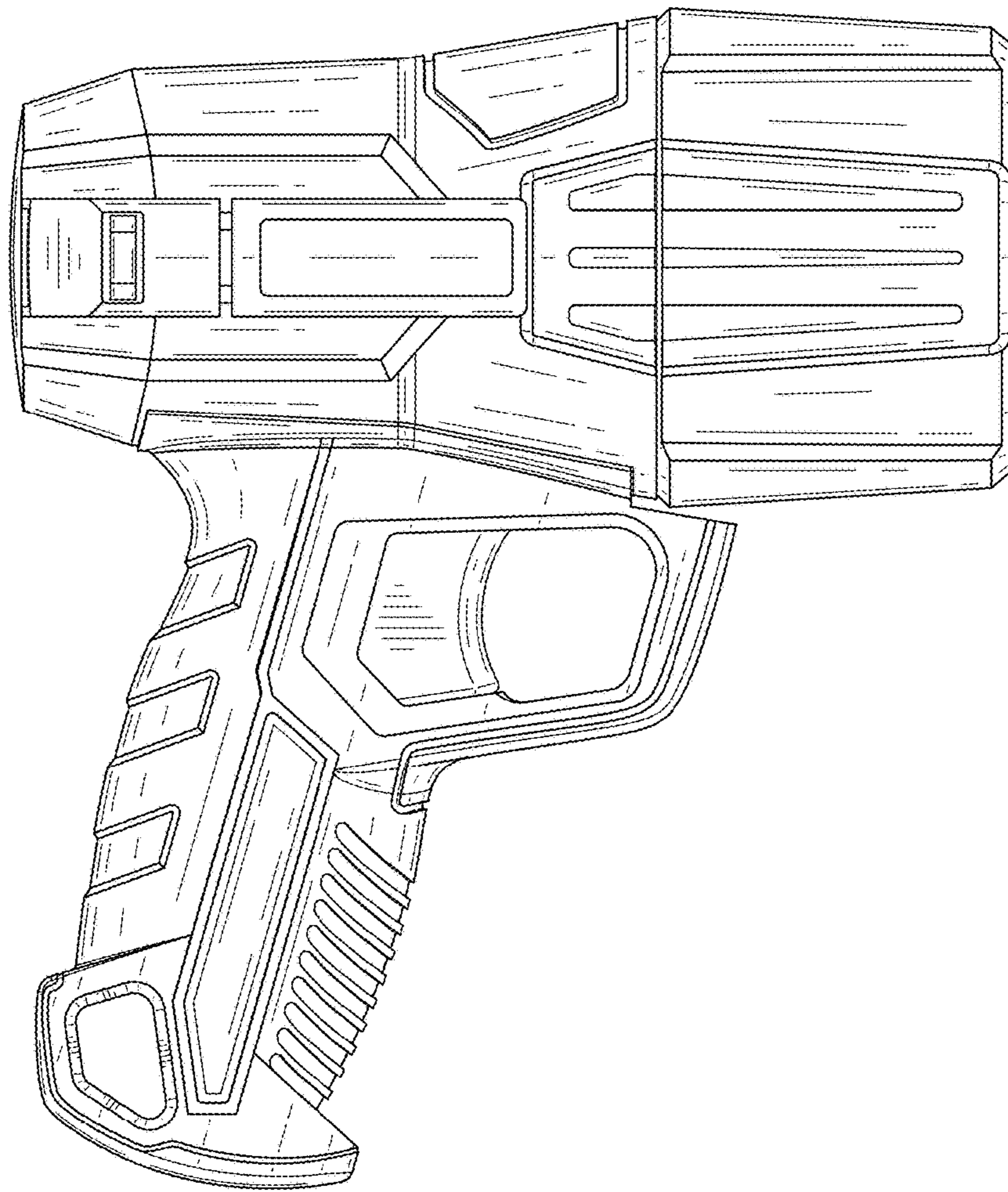


FIG. 6

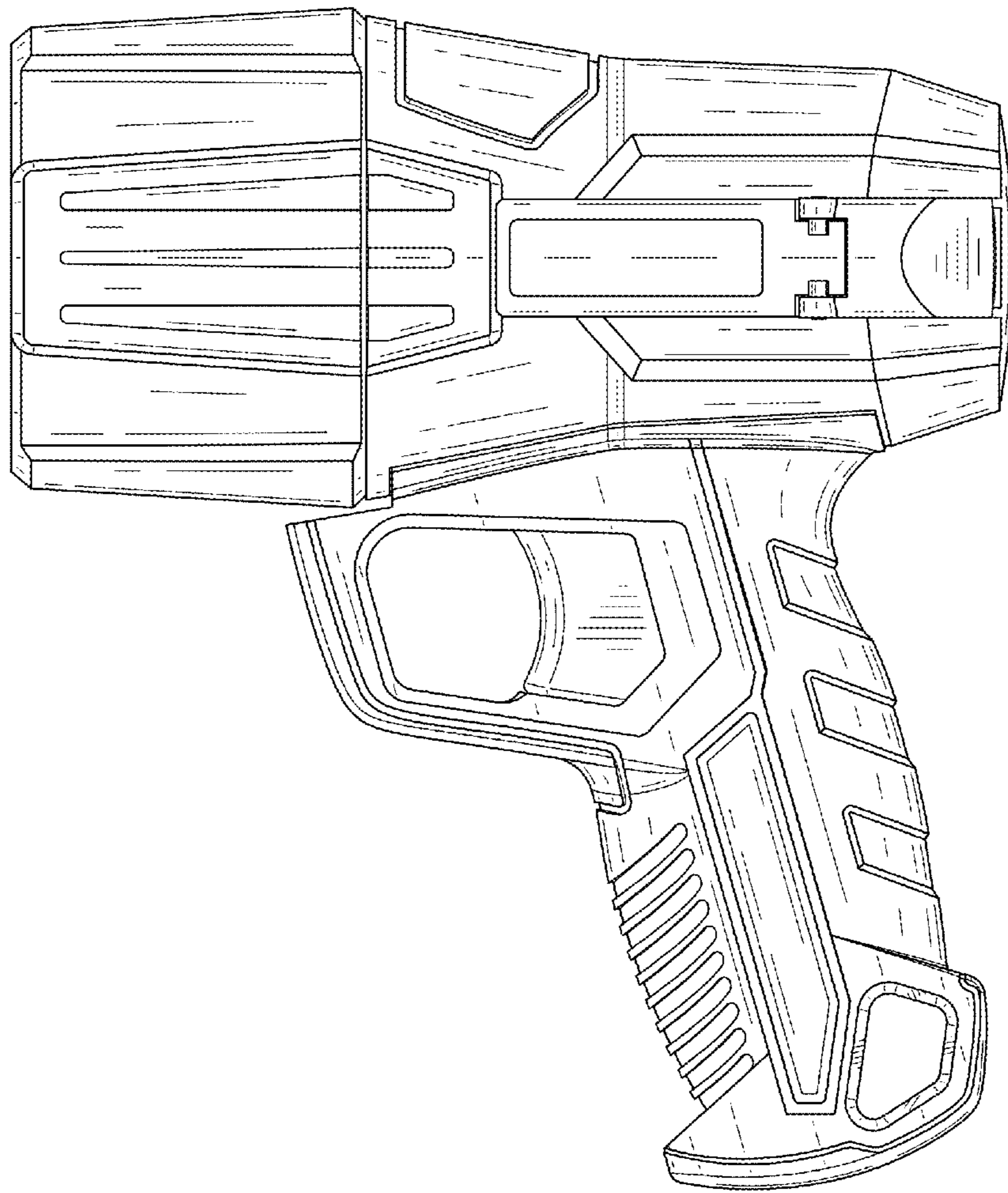


FIG. 7

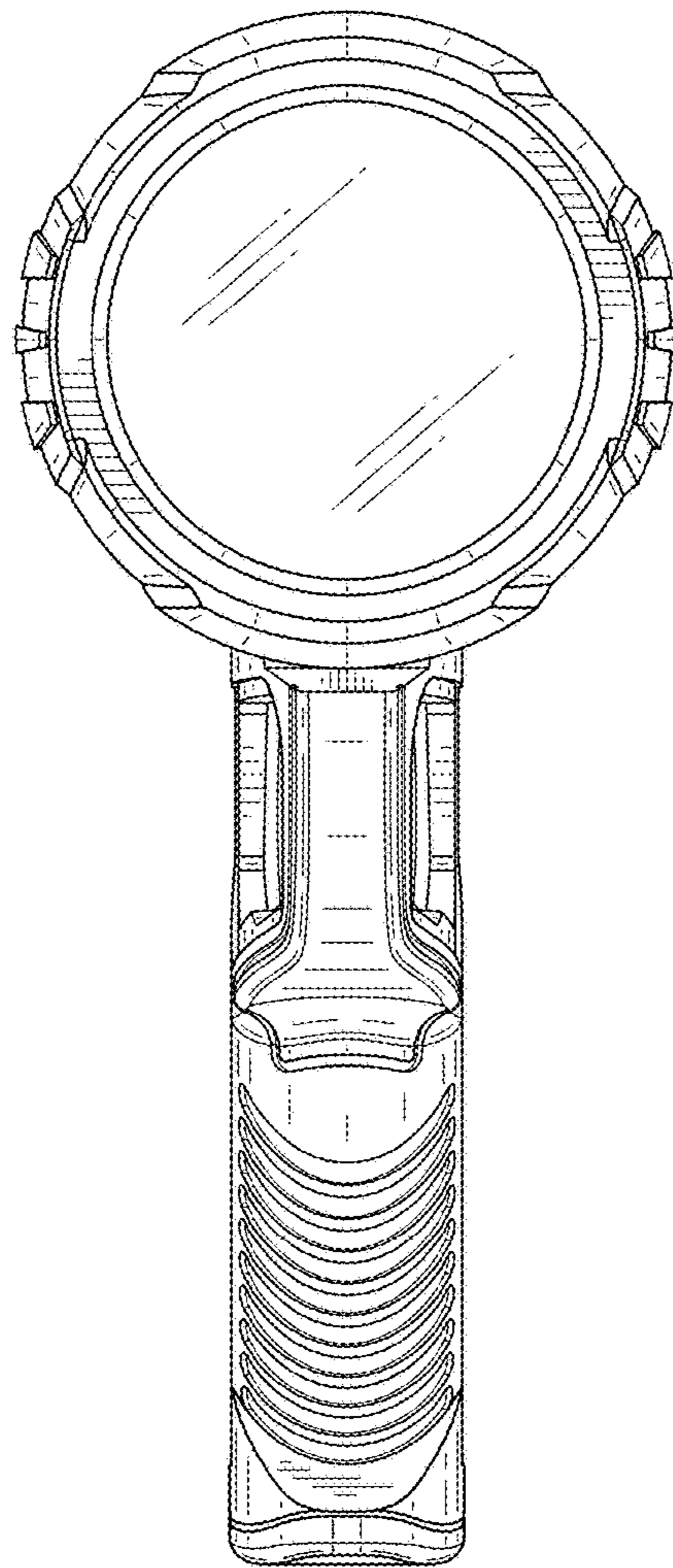


FIG. 8

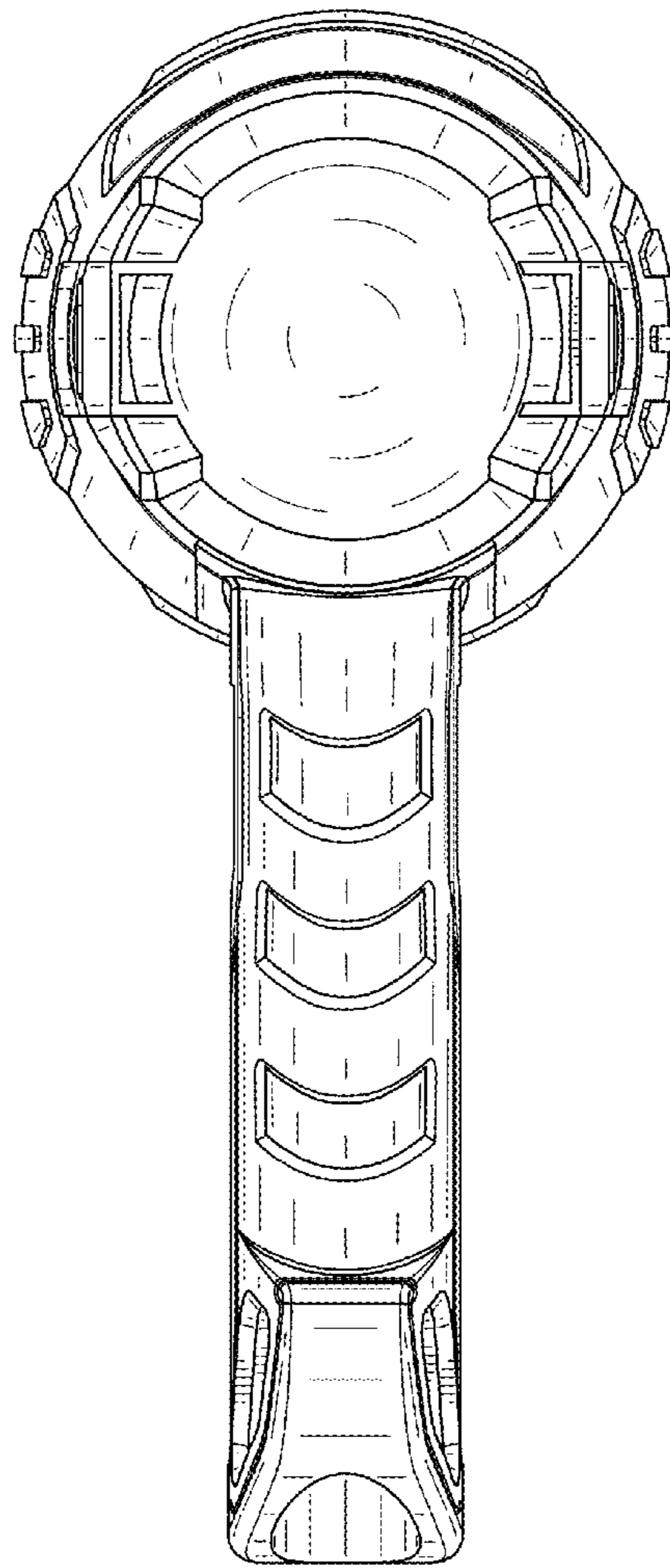


FIG. 9