



US00D849295S

(12) **United States Design Patent**
Sun

(10) **Patent No.:** **US D849,295 S**

(45) **Date of Patent:** **** May 21, 2019**

(54) **RETRACTABLE CAMPING LIGHT**

(71) Applicant: **Dihua Sun**, Zhejiang (CN)

(72) Inventor: **Dihua Sun**, Zhejiang (CN)

(**) Term: **15 Years**

(21) Appl. No.: **29/625,712**

(22) Filed: **Nov. 13, 2017**

(30) **Foreign Application Priority Data**

May 15, 2017 (CN) 2017 3 0178248

(51) **LOC (11) Cl.** **26-02**

(52) **U.S. Cl.**
USPC **D26/40**

(58) **Field of Classification Search**
USPC D26/37-51
CPC F21L 2003/00; F21L 4/00; F21L 4/005;
F21L 4/02; F21L 4/025; F21L 4/027;
F21L 4/04; F21L 4/08; F21L 2005/00;
F21L 7/00; F21L 11/00; F21L 13/00;
F21L 13/04; F21L 13/08; F21L 14/02;
F21L 17/00; F21L 19/00; F21L 25/00
See application file for complete search history.

(56) **References Cited**

U.S. PATENT DOCUMENTS

D519,658 S *	4/2006	Izardel	D10/111
D553,272 S *	10/2007	Leung	D26/37
D563,004 S *	2/2008	Biglarians	D26/38
D574,741 S *	8/2008	Gadsden	D10/114.9
D576,756 S *	9/2008	DeBrunner	D26/40
D580,079 S *	11/2008	van der Lande	D26/47
D599,045 S *	8/2009	Castellucci	D26/37
D599,923 S *	9/2009	Shiu	D26/40
D605,321 S *	12/2009	Schupp	D26/40
D617,480 S *	6/2010	DeBrunner	D26/40
D652,162 S *	1/2012	Wu	D26/47

D698,953 S *	2/2014	Hinzmann	D26/37
D722,715 S *	2/2015	Biegler	D26/37
D732,215 S *	6/2015	Su	D26/37
D738,553 S *	9/2015	Fletcher	D26/41
D740,149 S *	10/2015	Talamo	D10/114.9
D773,704 S *	12/2016	Pardo	D26/41
D783,872 S *	4/2017	Aksnes	D26/41
D787,104 S *	5/2017	Wu	D26/41
D796,725 S *	9/2017	Recker	D26/104
D809,044 S *	1/2018	Loew	D16/202
D809,690 S *	2/2018	Marshall	D26/41

(Continued)

Primary Examiner — Karen E Kearney

Assistant Examiner — Carissa C Fitts

(57) **CLAIM**

The ornamental design for a retractable camping light, as shown and described.

DESCRIPTION

FIG. 1 is a perspective view of a retractable camping light showing my new design when the lampshade in a retracted position;

FIG. 2 is a front elevational view of the retractable camping light of FIG. 1;

FIG. 3 is a rear elevational view of the retractable camping light of FIG. 1;

FIG. 4 is a left side elevational view of the retractable camping light of FIG. 1;

FIG. 5 is a right side elevational view of the retractable camping light of FIG. 1;

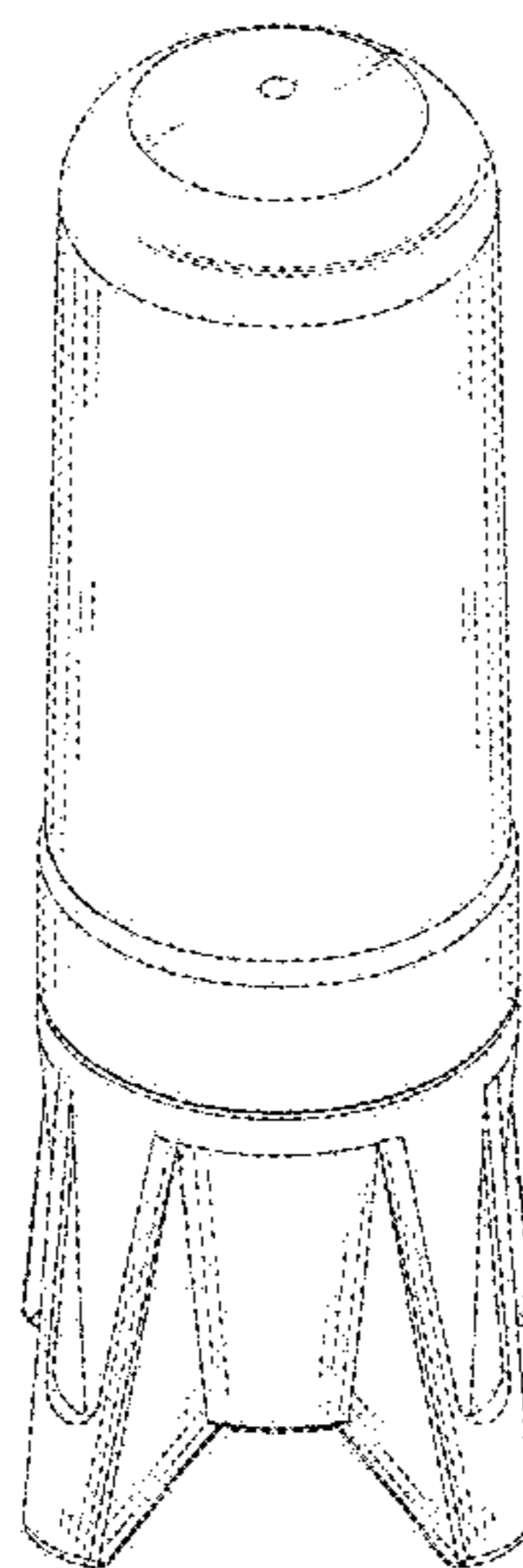
FIG. 6 is a bottom plan view of the retractable camping light of FIG. 1;

FIG. 7 is another perspective view of the retractable camping light when the lampshade in a retracted position;

FIG. 8 is a perspective view of the retractable camping light when the lampshade is in a extended position; and,

FIG. 9 is another perspective view of the retractable camping light when the lampshade is in a extended position.

1 Claim, 9 Drawing Sheets



(56)

References Cited

U.S. PATENT DOCUMENTS

D814,084 S * 3/2018 James D26/41
D818,620 S * 5/2018 Brown D26/41
9,978,225 B1 * 5/2018 Maglica G08B 5/36

* cited by examiner

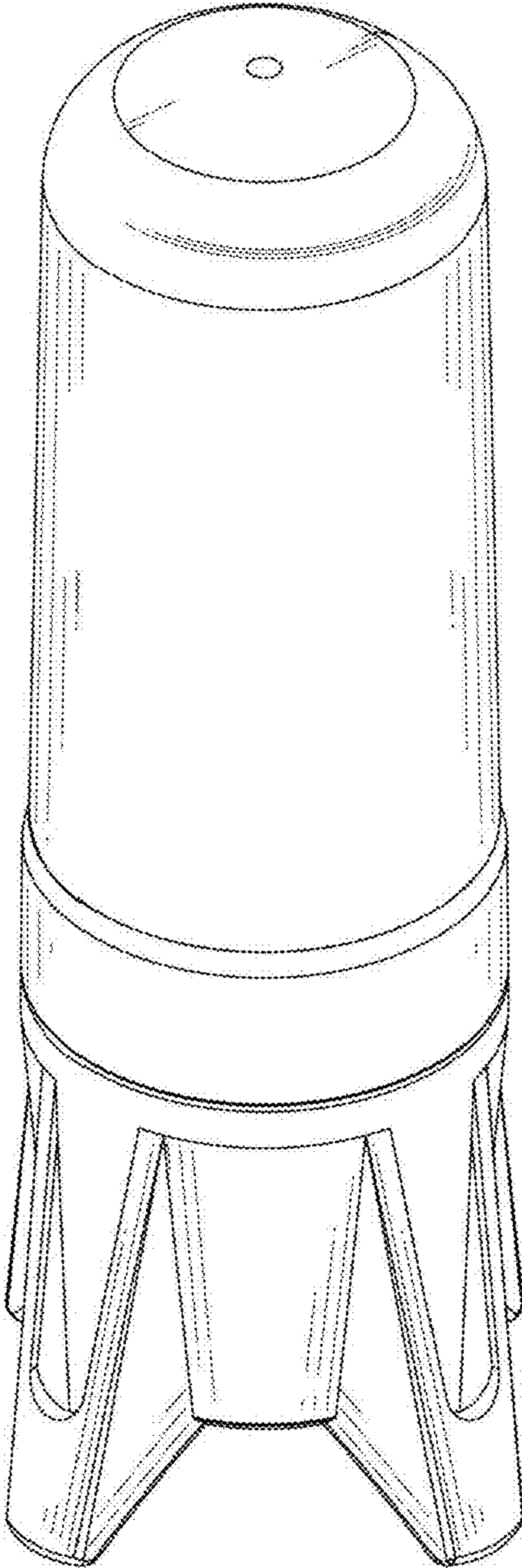


FIG. 1

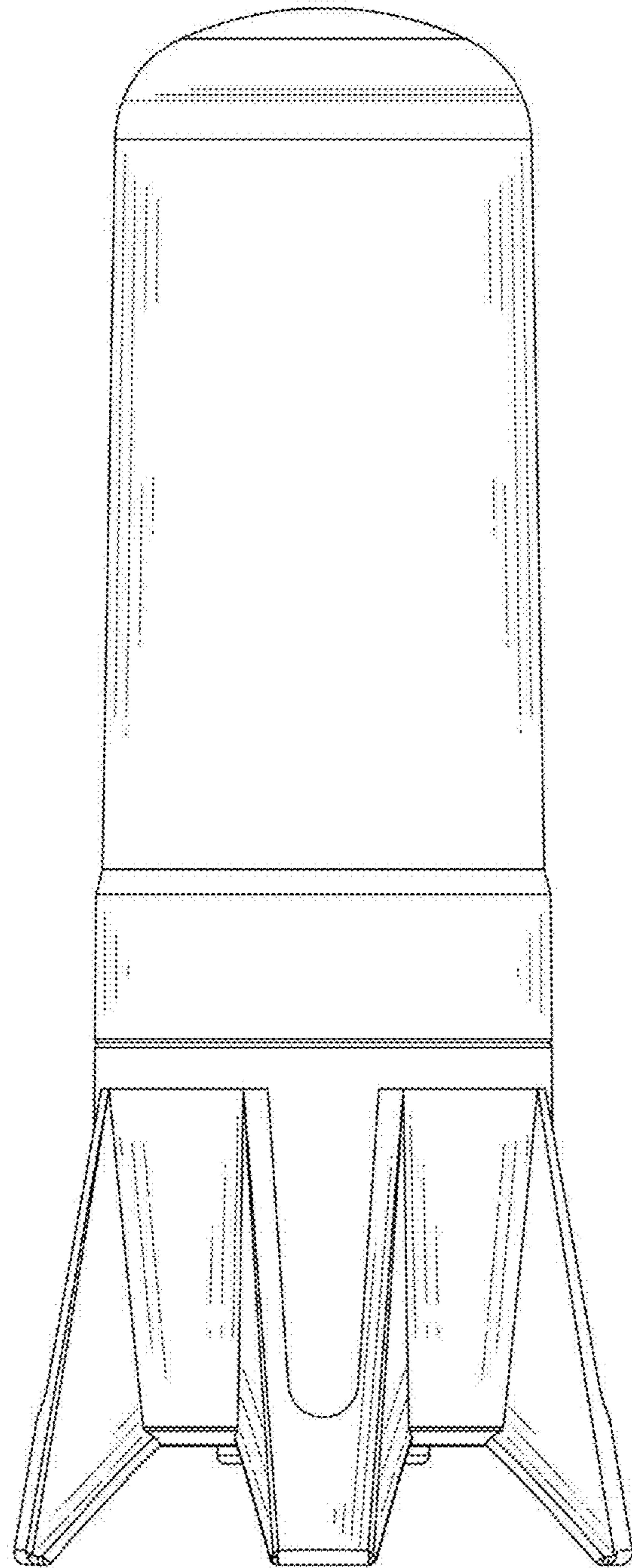


FIG.2

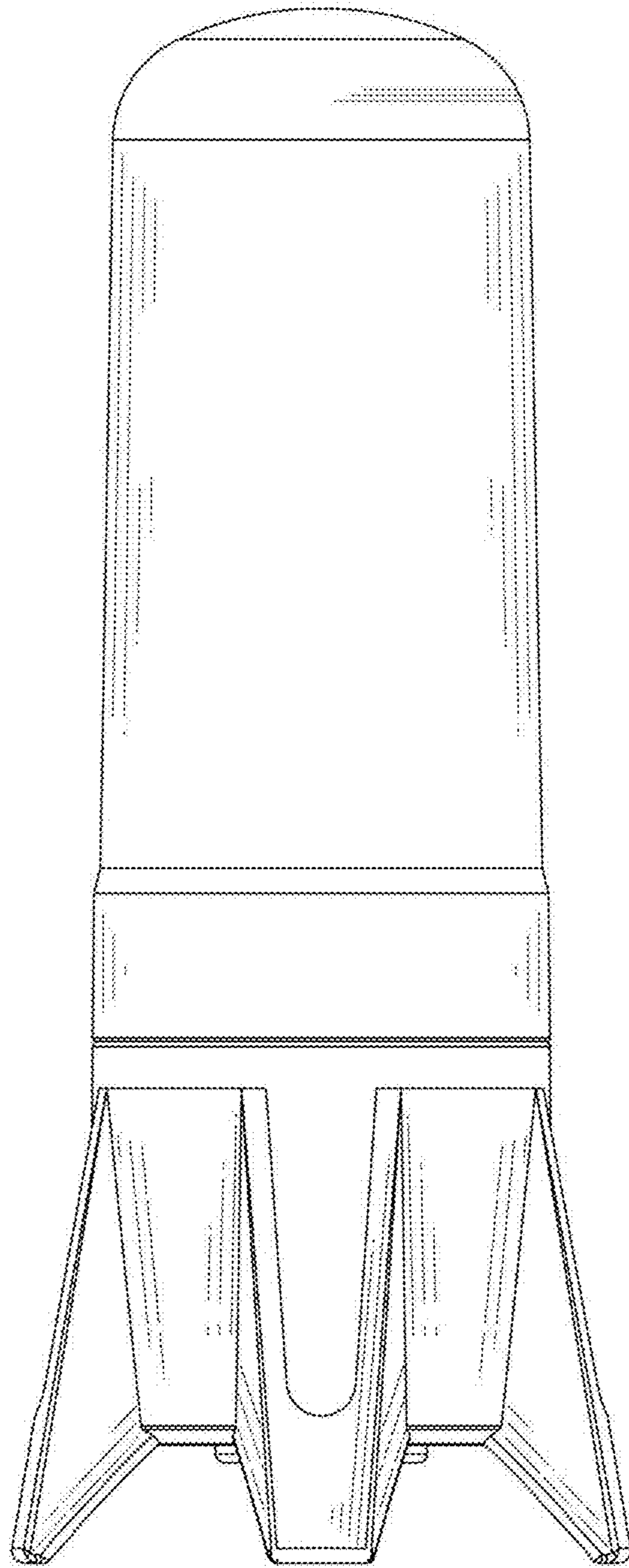


FIG.3

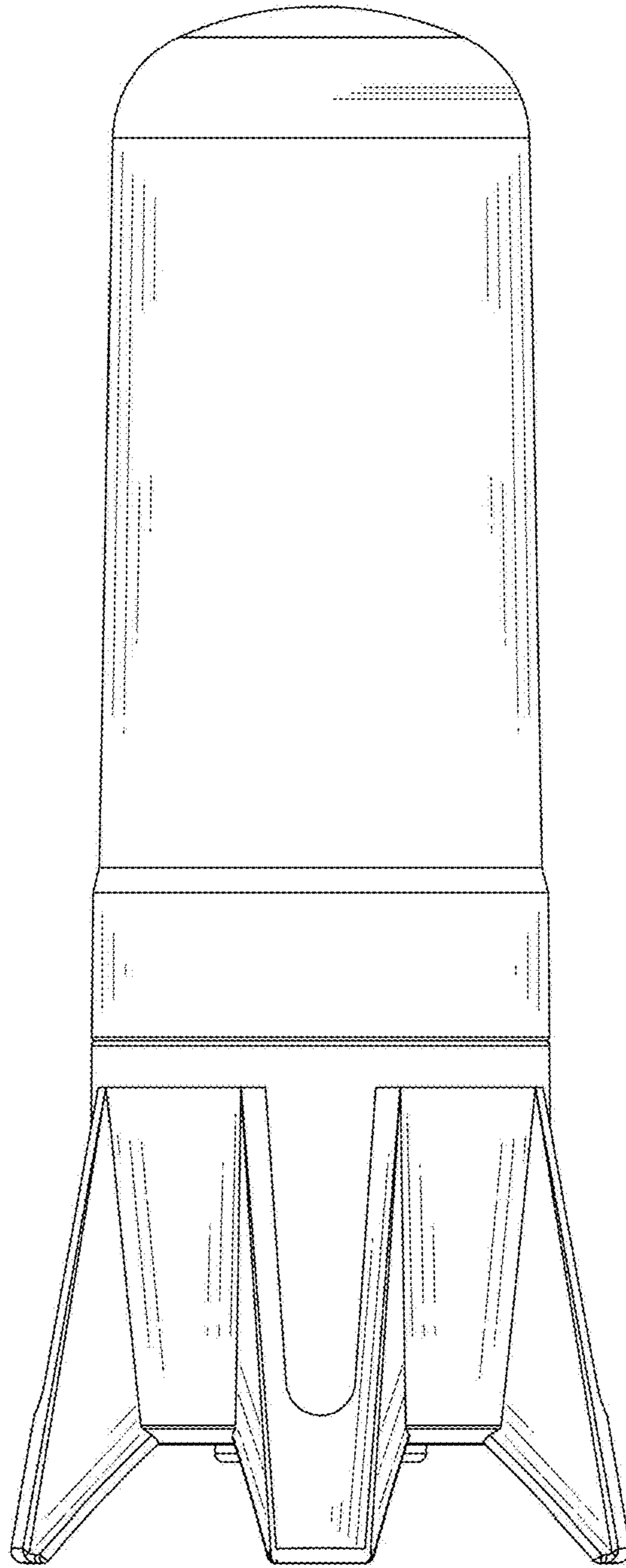


FIG.4

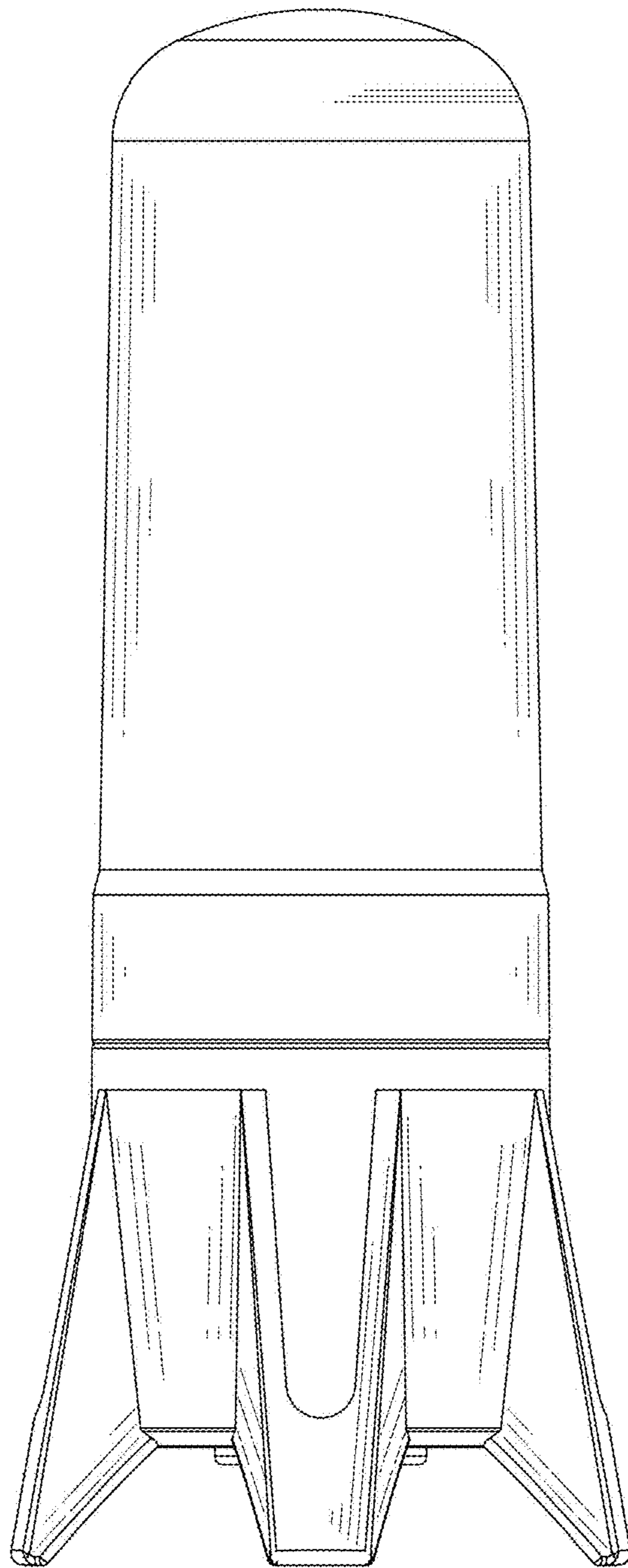


FIG.5

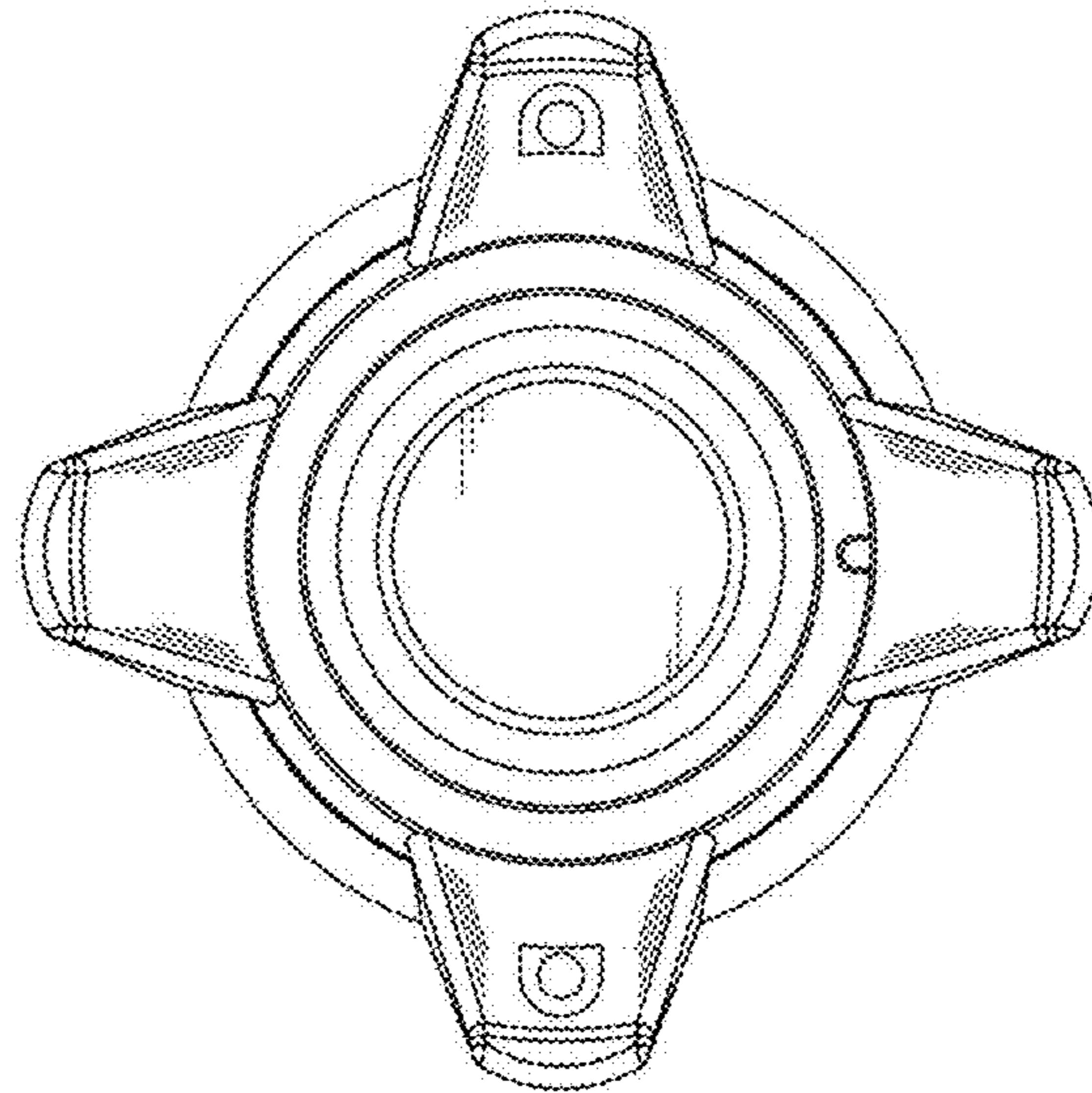


FIG.6

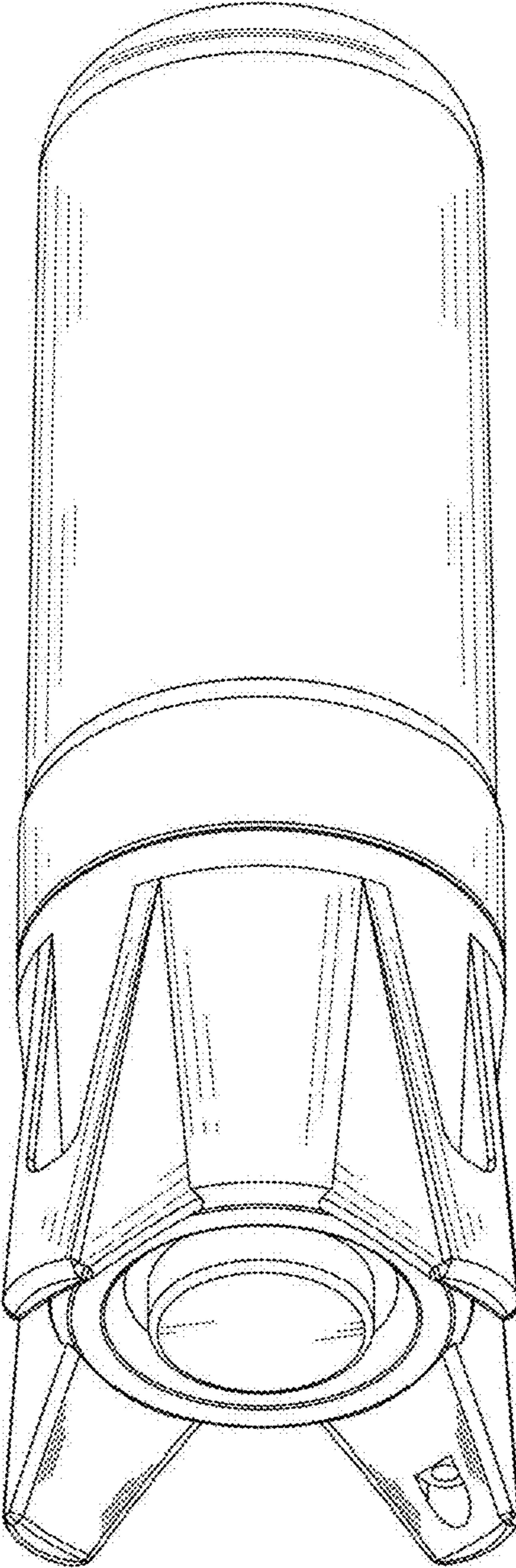


FIG.7

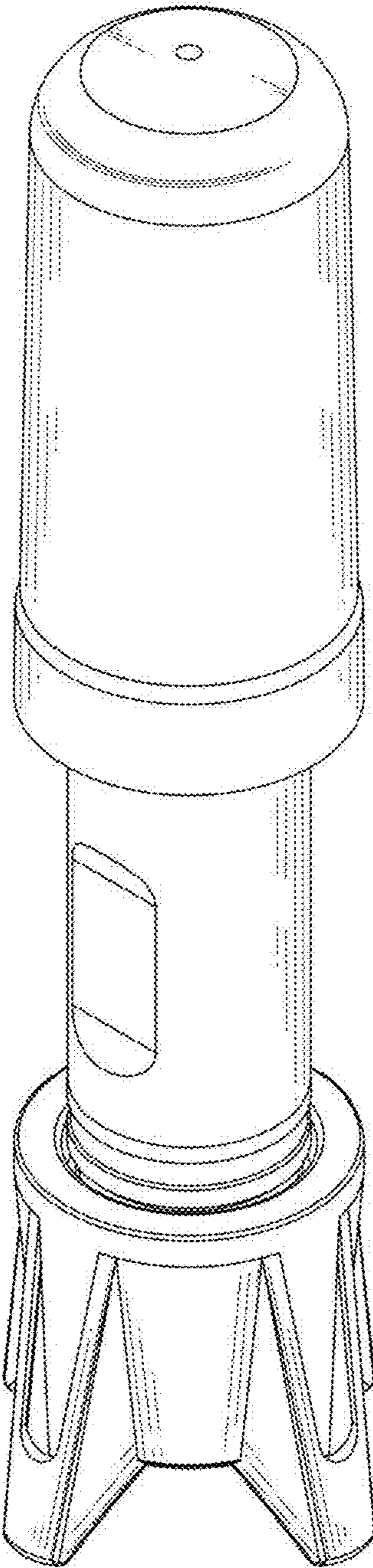


FIG.8

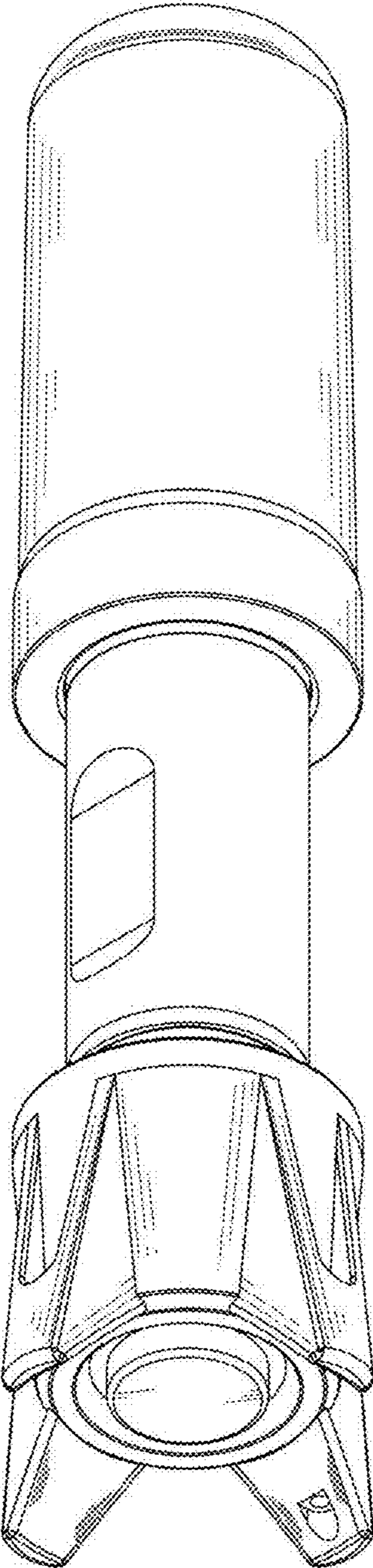


FIG.9