



US00D849294S

(12) **United States Design Patent** (10) **Patent No.:** **US D849,294 S**  
**Ormsbee et al.** (45) **Date of Patent:** **\*\* May 21, 2019**

(54) **LIGHTING DEVICE**  
(71) Applicant: **NITE IZE, INC.**, Boulder, CO (US)  
(72) Inventors: **Bowden Ormsbee**, Longmont, CO (US); **Leo Lesperance**, Erie, CO (US)  
(73) Assignee: **Nite Ize, Inc.**, Boulder, CO (US)  
(\*\*) Term: **15 Years**

D666,343 S *	8/2012	Lee .....	D26/39
D670,043 S *	10/2012	Goldman .....	D30/155
D692,717 S *	11/2013	Lai .....	D7/354
D713,076 S *	9/2014	Von Waldthausen .....	D26/37
D722,715 S *	2/2015	Biegler .....	D26/37
D738,553 S *	9/2015	Fletcher .....	D26/41
D773,704 S *	12/2016	Pardo .....	D26/41
D783,872 S *	4/2017	Aksnes .....	D26/41
D796,725 S *	9/2017	Recker .....	D26/104
D799,085 S *	10/2017	Huang .....	D26/39
D814,084 S *	3/2018	James .....	D26/41
D820,488 S *	6/2018	Kinsen Ka Fai .....	D26/37

(21) Appl. No.: **29/628,643**  
(22) Filed: **Dec. 6, 2017**  
(51) **LOC (11) Cl.** ..... **26-02**  
(52) **U.S. Cl.**  
USPC ..... **D26/37**  
(58) **Field of Classification Search**  
USPC ..... D26/37-51  
CPC ..... F21L 2003/00; F21L 4/00; F21L 4/005;  
F21L 4/02; F21L 4/025; F21L 4/027;  
F21L 4/04; F21L 4/08; F21L 2005/00;  
F21L 7/00; F21L 11/00; F21L 13/00;  
F21L 13/04; F21L 13/08; F21L 14/02;  
F21L 17/00; F21L 19/00; F21L 25/00  
See application file for complete search history.

\* cited by examiner

*Primary Examiner* — Karen E Kearney  
*Assistant Examiner* — Carissa C Fitts  
(74) *Attorney, Agent, or Firm* — Haynes and Boone, LLP

(57) **CLAIM**

The ornamental design for a lighting device, as shown and described.

**DESCRIPTION**

FIG. 1 shows an upper front perspective view of a lighting device;  
FIG. 2 shows a lower front perspective view of the lighting device of FIG. 1;  
FIG. 3 shows a front view of the lighting device of FIG. 1;  
FIG. 4 shows a rear view of the lighting device of FIG. 1;  
FIG. 5 shows right side view of the lighting device of FIG. 1;  
FIG. 6 shows left side view of the lighting device of FIG. 1;  
FIG. 7 shows a top view of the lighting device of FIG. 1;  
and,  
FIG. 8 shows a bottom view of the lighting device of FIG. 1.

(56) **References Cited**

U.S. PATENT DOCUMENTS

D525,740 S *	7/2006	Parker .....	D26/104
D540,969 S *	4/2007	Ueda .....	D26/37
D553,278 S *	10/2007	Moore .....	D26/39
D561,366 S *	2/2008	Wang .....	D26/37
D576,755 S *	9/2008	Witte .....	D26/37
D608,036 S *	1/2010	Lee .....	D26/40
D633,635 S *	3/2011	Poon .....	D26/60
D652,162 S *	1/2012	Wu .....	D26/47

**1 Claim, 4 Drawing Sheets**

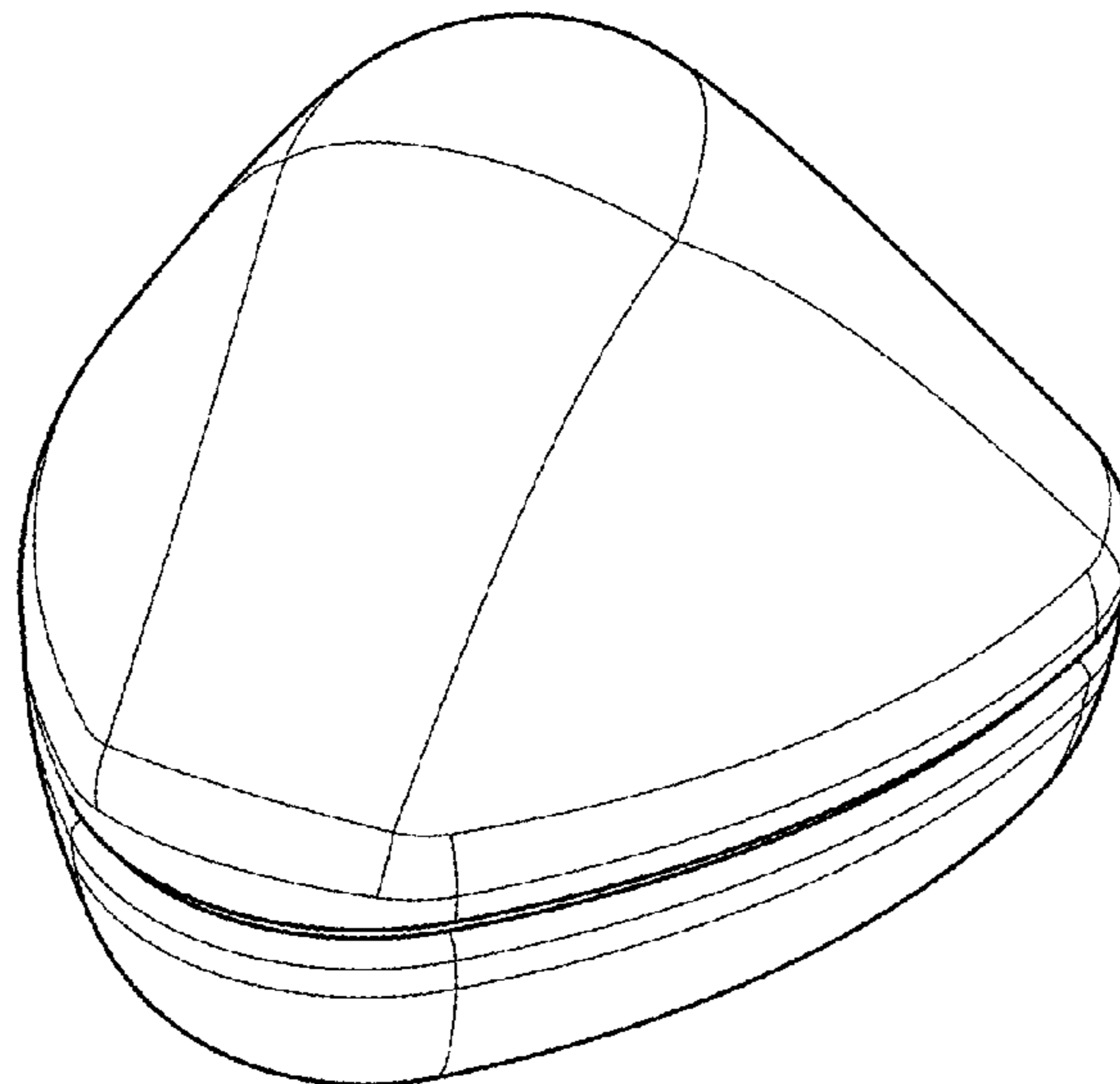


FIG. 1

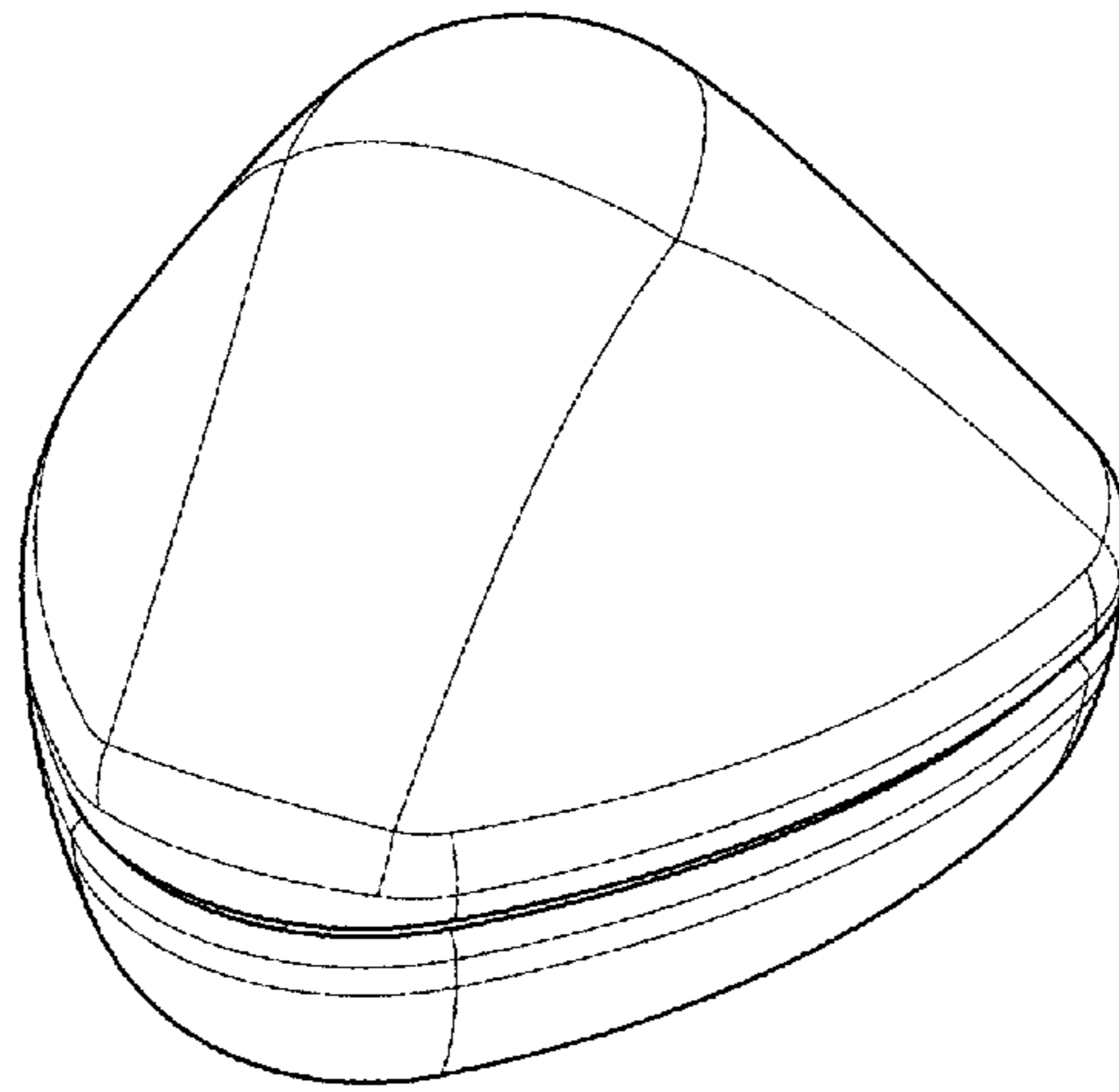


FIG. 2

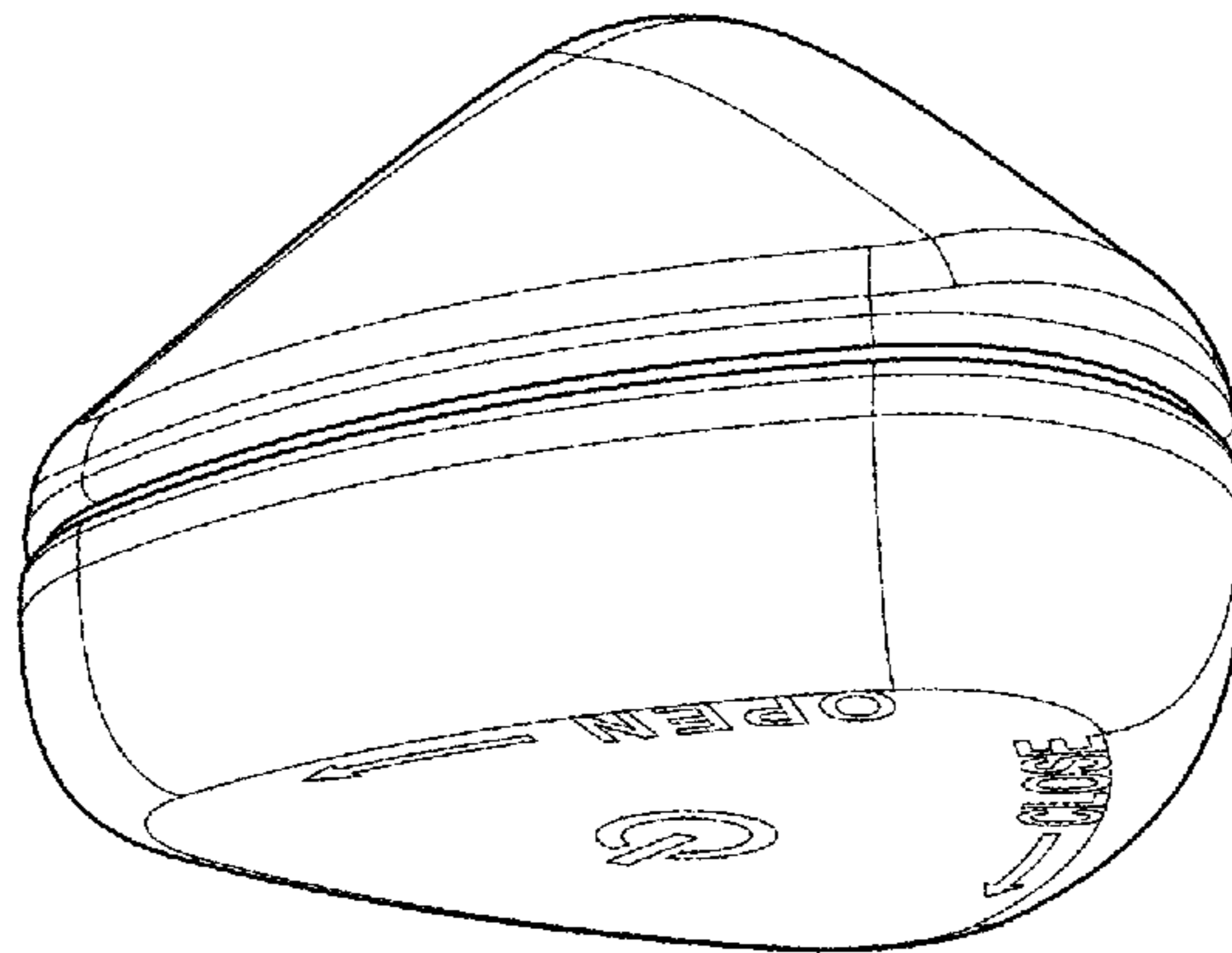


FIG. 3

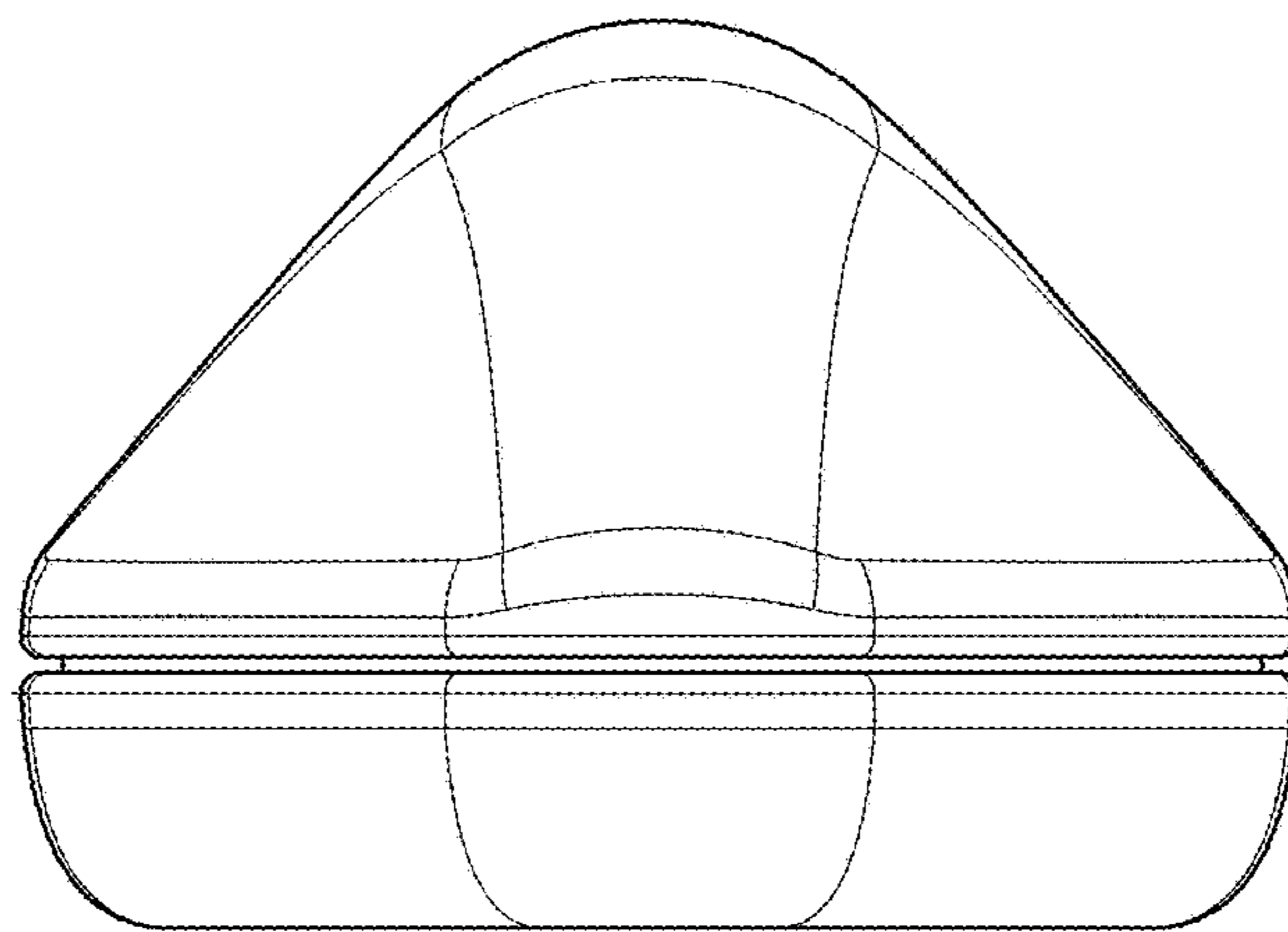
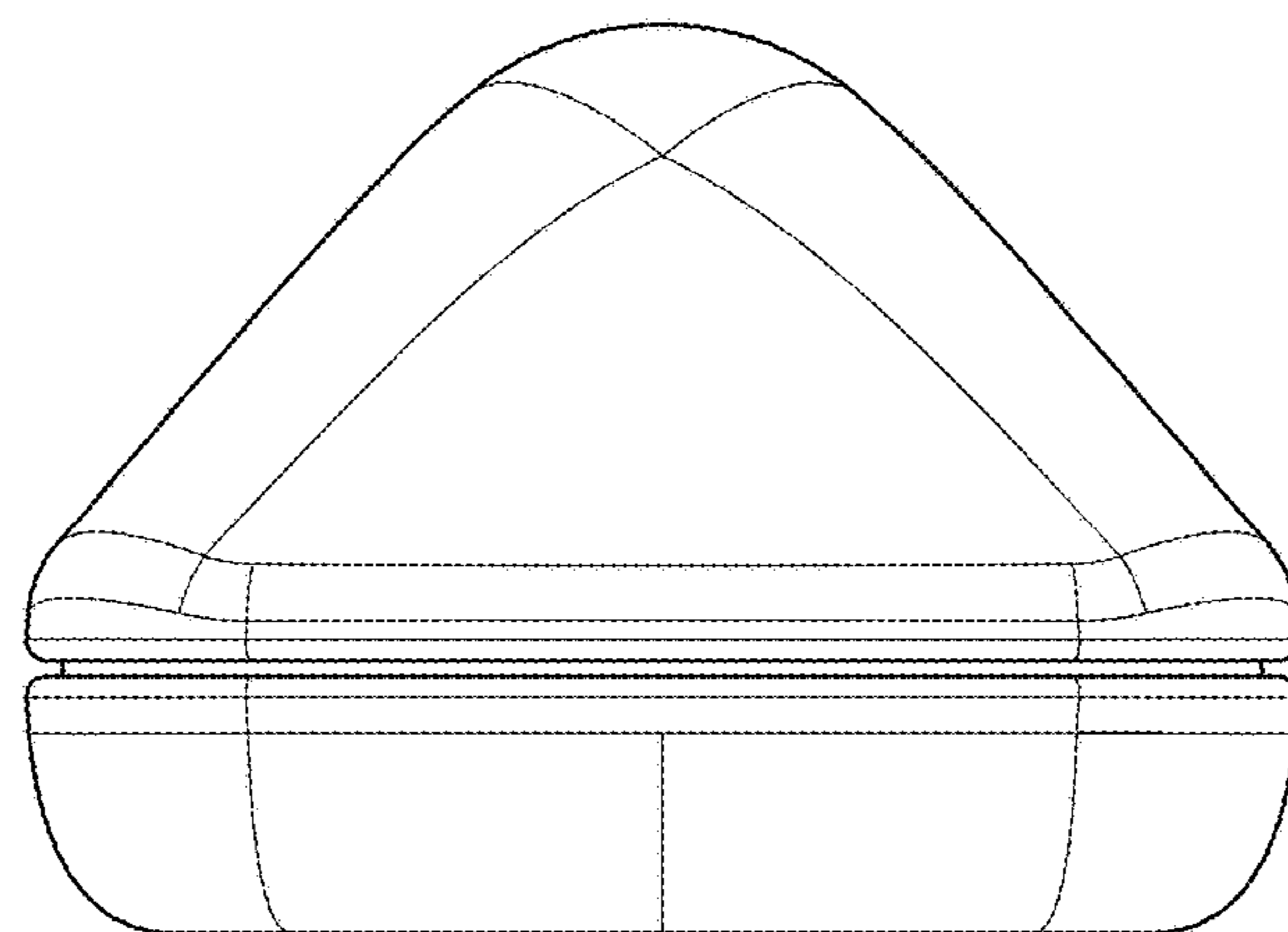
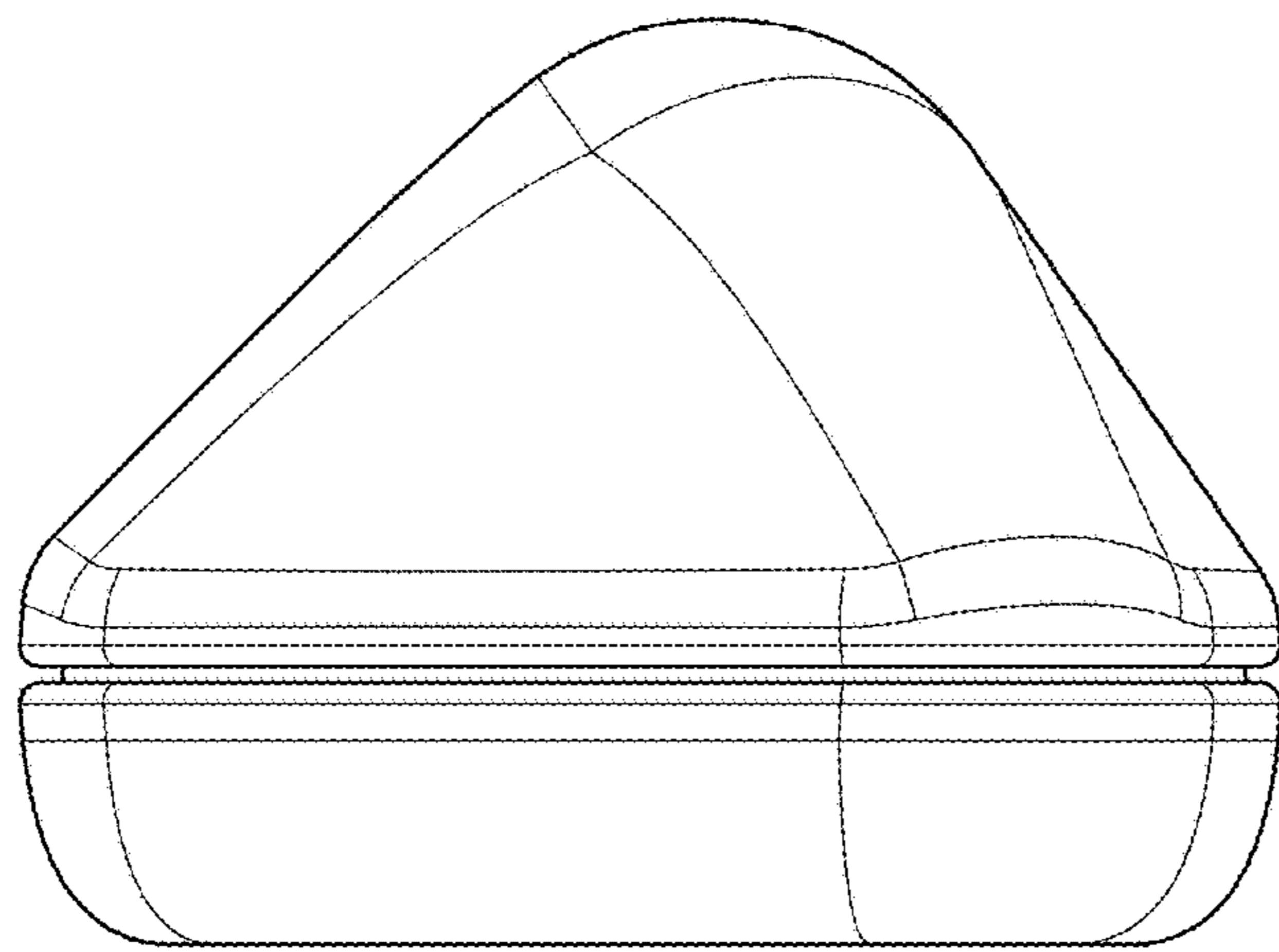


FIG. 4



**FIG. 5**



**FIG. 6**

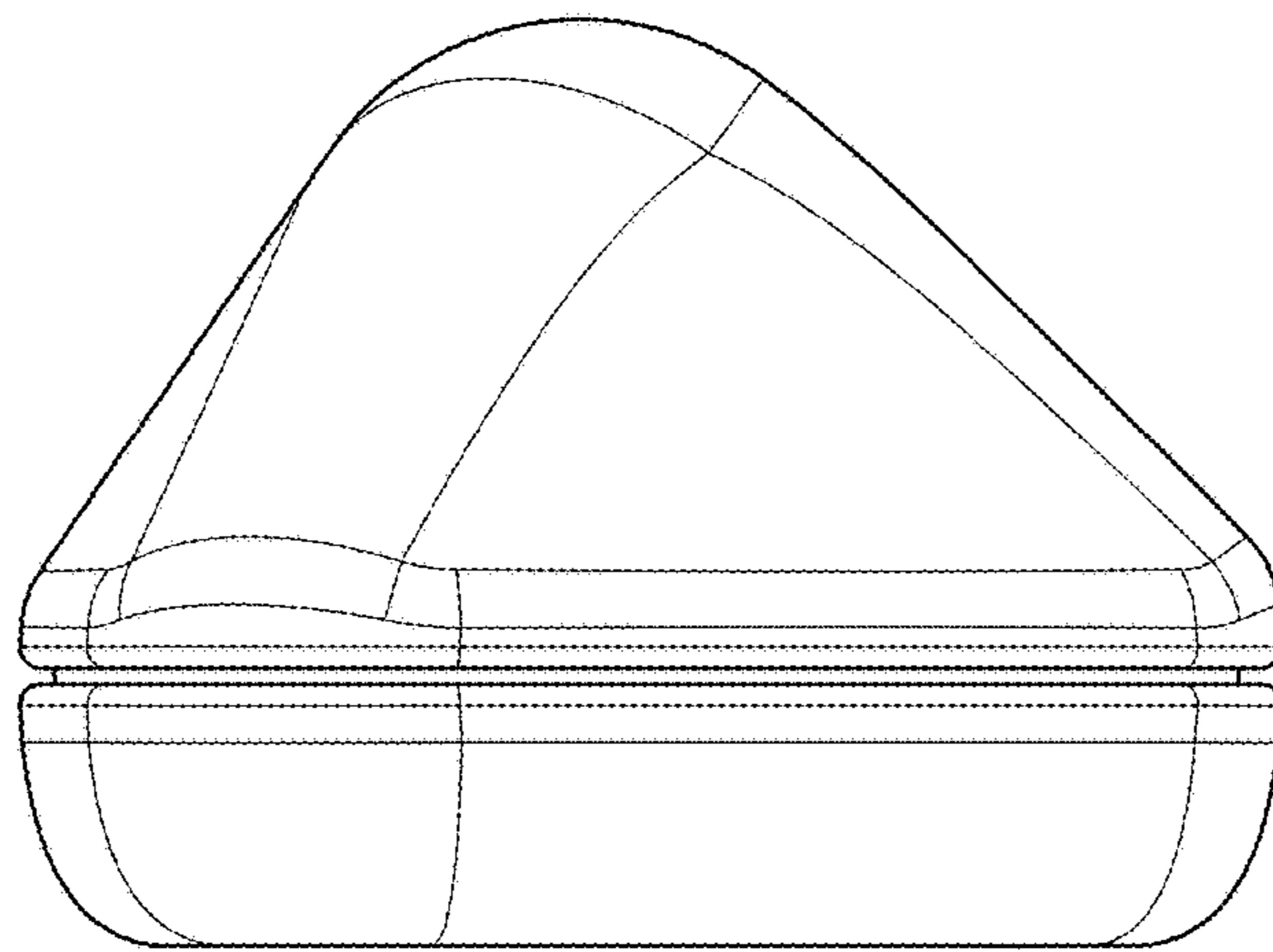


FIG. 7

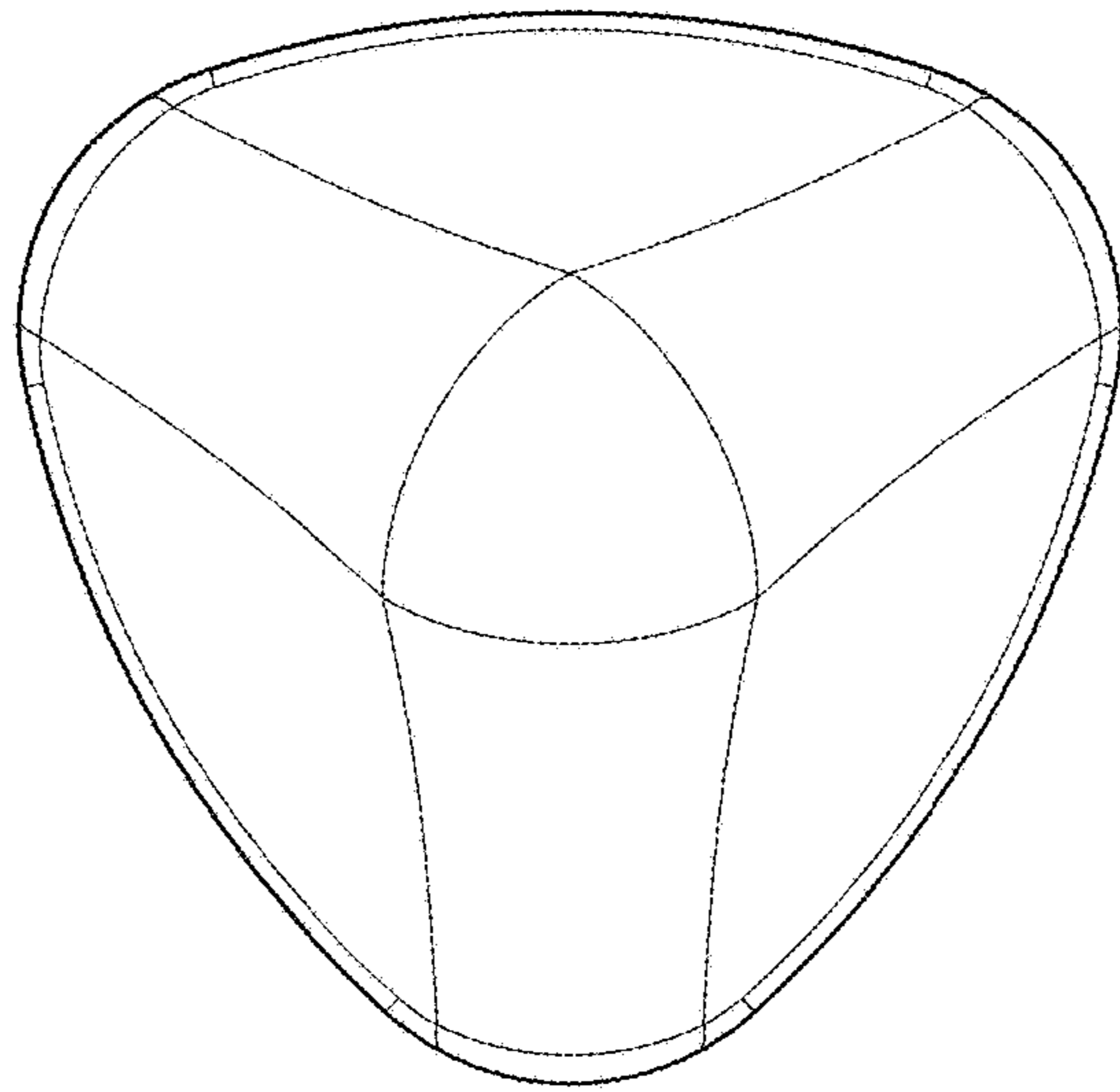


FIG. 8

