



US00D849293S

(12) **United States Design Patent** (10) **Patent No.:** **US D849,293 S**  
**Ko** (45) **Date of Patent:** **\*\* May 21, 2019**

(54) **LAMP FOR VEHICLE**

(71) Applicants: **VISION X ASIA CO., LTD.**,  
Hwaseong-si (KR); **In Hong Ko**, Seoul  
(KR)

(72) Inventor: **In Hong Ko**, Seoul (KR)

(73) Assignees: **VISION X ASIA CO., LTD.**,  
Hwaseong-si (KR); **In Hong Ko**, Seoul  
(KR)

(\*\*) Term: **15 Years**

(21) Appl. No.: **29/649,037**

(22) Filed: **May 25, 2018**

(30) **Foreign Application Priority Data**

Nov. 28, 2017 (KR) ..... 30-2017-0055974

(51) **LOC (11) Cl.** ..... **26-07**

(52) **U.S. Cl.**  
USPC ..... **D26/36**

(58) **Field of Classification Search**  
USPC ..... D26/28, 29, 30, 31, 32, 33, 34, 35, 36;  
362/459-468, 475-478, 485-487  
CPC ..... F21S 48/00; F21S 48/10; F21S 48/115;  
F21S 48/225; F21S 48/1233; F21S  
48/1266; F21S 48/1388; F21S 48/2268;  
F21V 21/04

See application file for complete search history.

(56) **References Cited**

**U.S. PATENT DOCUMENTS**

D592,330 S \* 5/2009 Huang ..... D26/28  
D601,727 S \* 10/2009 Huang ..... D26/28

D641,504 S \* 7/2011 Lin ..... D26/28  
D642,309 S \* 7/2011 Huang ..... D26/28  
D712,076 S \* 8/2014 Haumann ..... D26/28  
D712,077 S \* 8/2014 Leban ..... D26/28  
D713,594 S \* 9/2014 Norris ..... D26/118  
D766,473 S \* 9/2016 Riedel ..... D26/28  
D793,589 S \* 8/2017 Deyaf ..... D26/28  
D794,844 S \* 8/2017 Leban ..... D26/28  
D805,225 S \* 12/2017 Dennis ..... D26/28  
D822,238 S \* 7/2018 Deering ..... D26/28  
D827,883 S \* 9/2018 Deyaf ..... D26/28

\* cited by examiner

*Primary Examiner* — Angela J Lee

(74) *Attorney, Agent, or Firm* — Cantor Colburn LLP

(57) **CLAIM**

The ornamental design for a lamp for vehicle, as shown and described.

**DESCRIPTION**

FIG. 1 is a perspective view of a lamp for vehicle showing my new design;  
FIG. 2 is a front elevational view thereof;  
FIG. 3 is a rear elevational view thereof;  
FIG. 4 is a left side elevational view thereof;  
FIG. 5 is a right side elevational view thereof;  
FIG. 6 is a top plan view thereof; and,  
FIG. 7 is a bottom plan view thereof.  
The broken lines are included for illustrative purposes only and form no part of the claimed design.

**1 Claim, 6 Drawing Sheets**

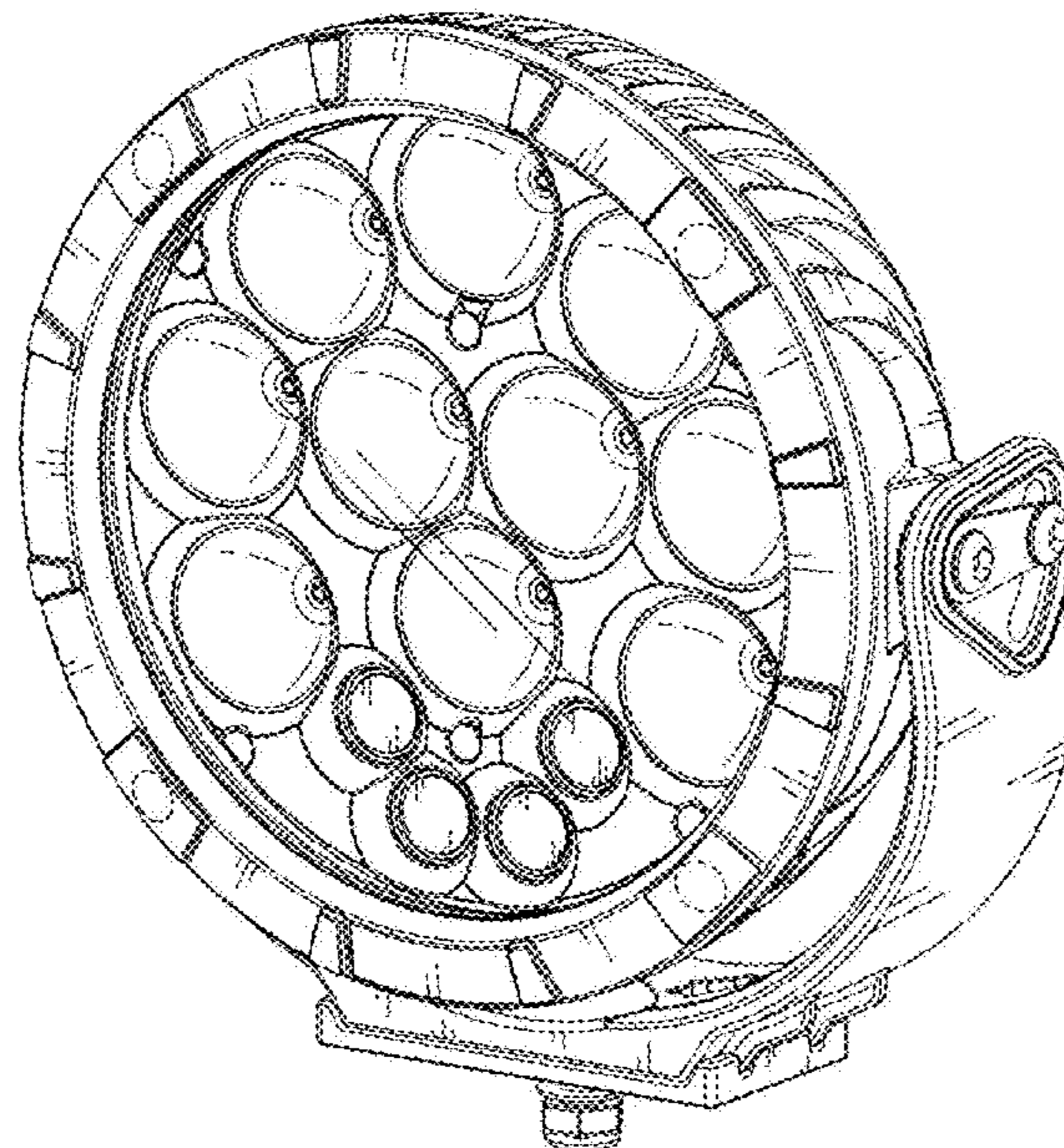


FIG. 1

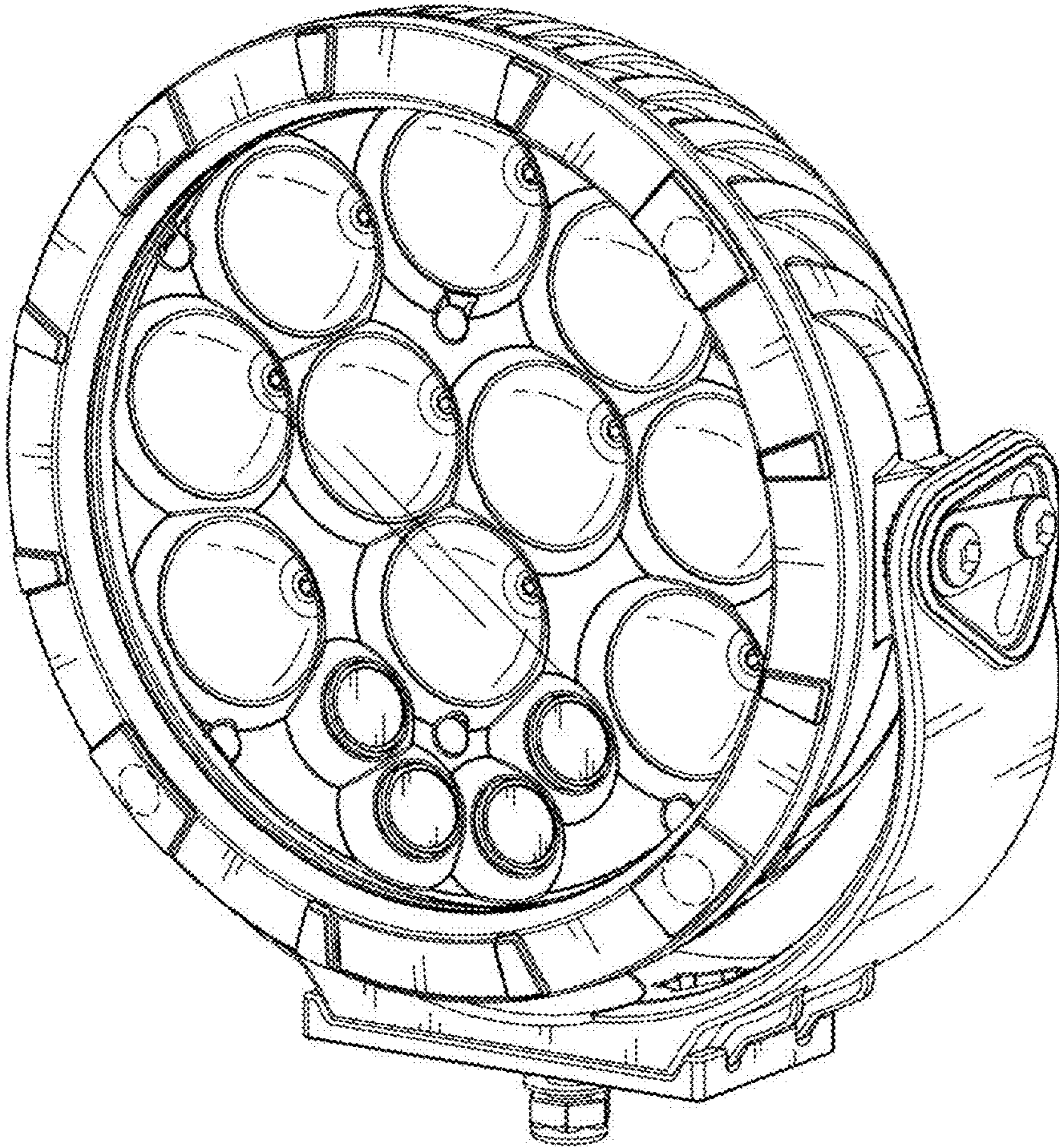


FIG. 2

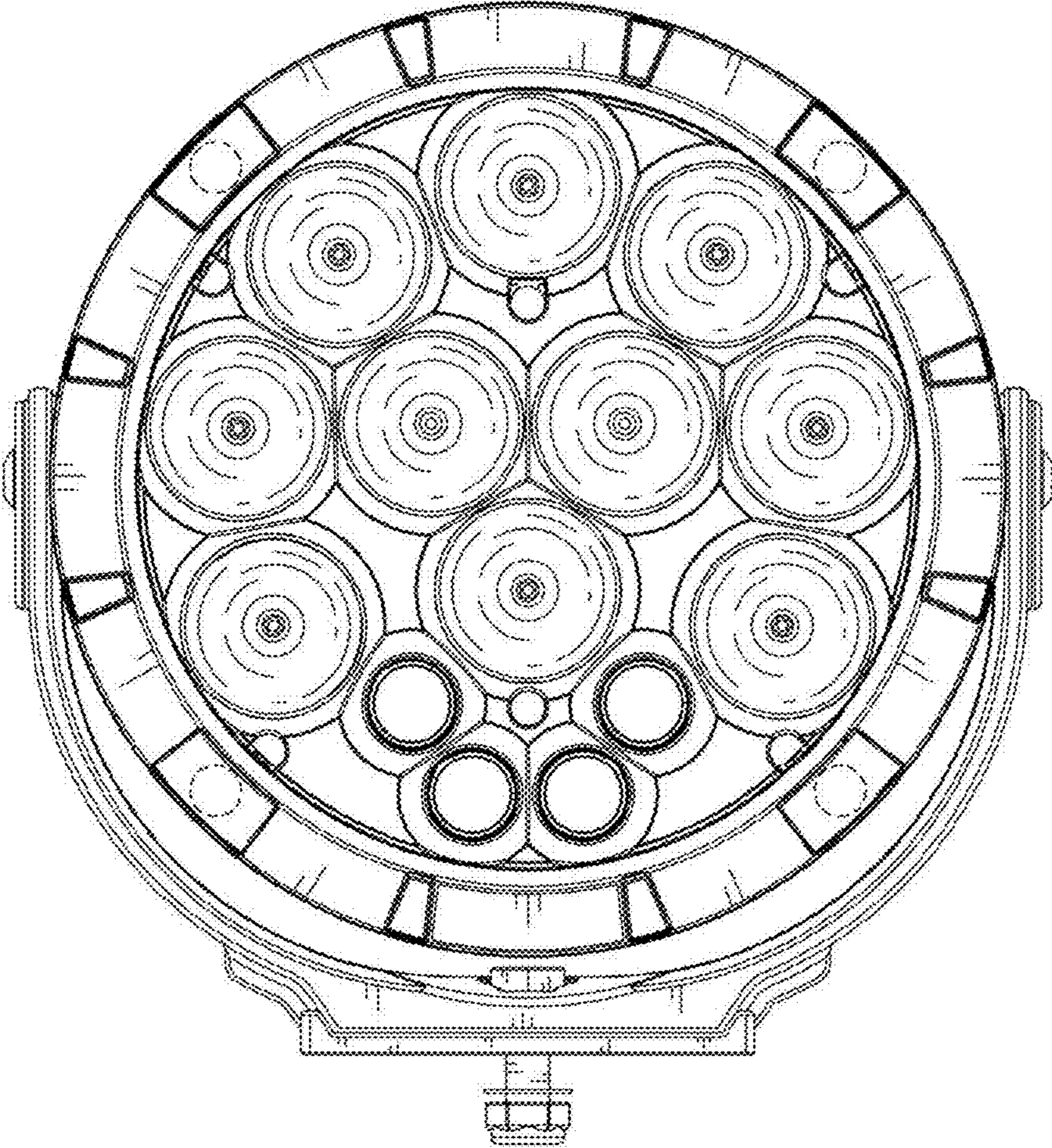


FIG. 3

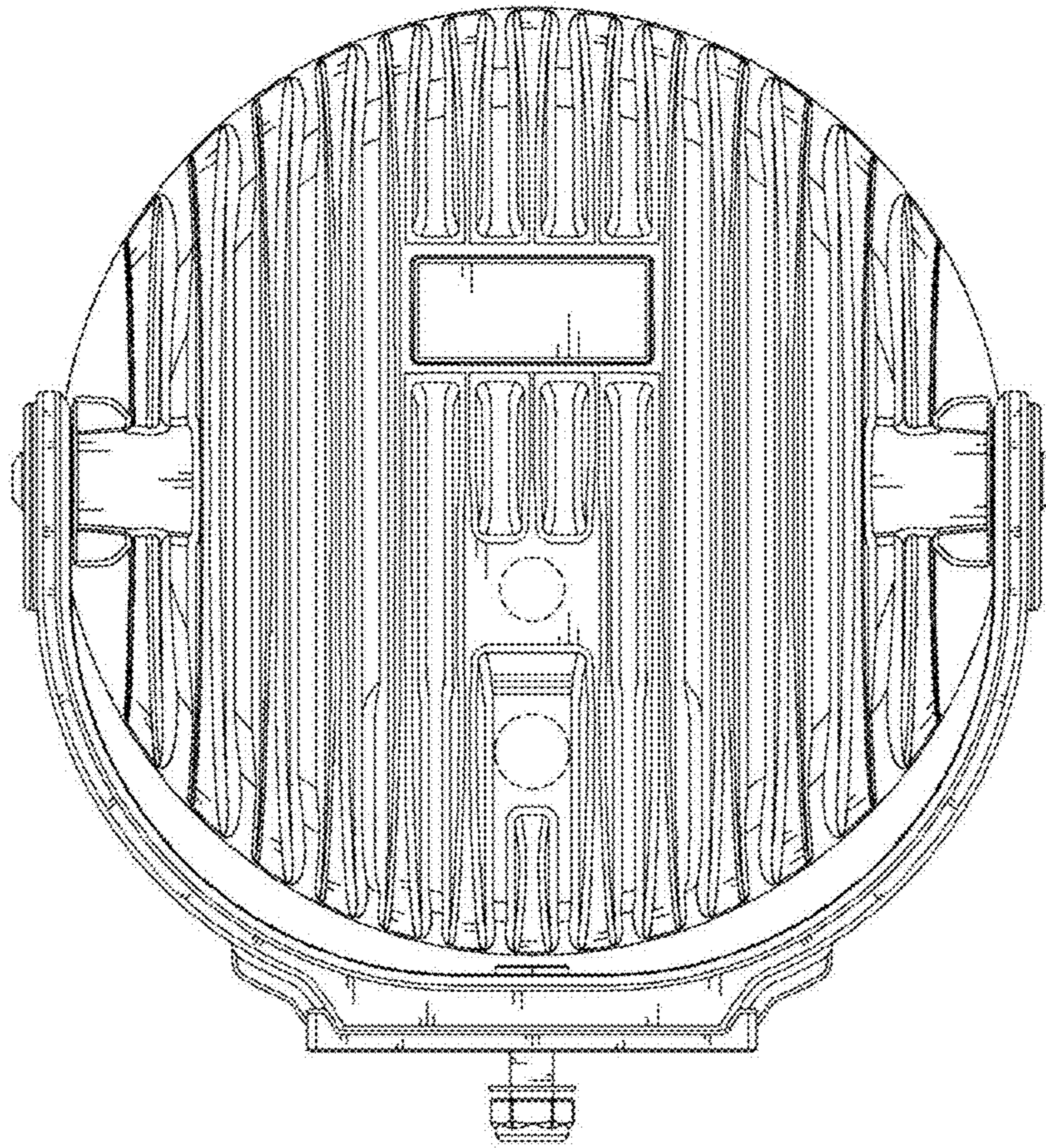


FIG. 4

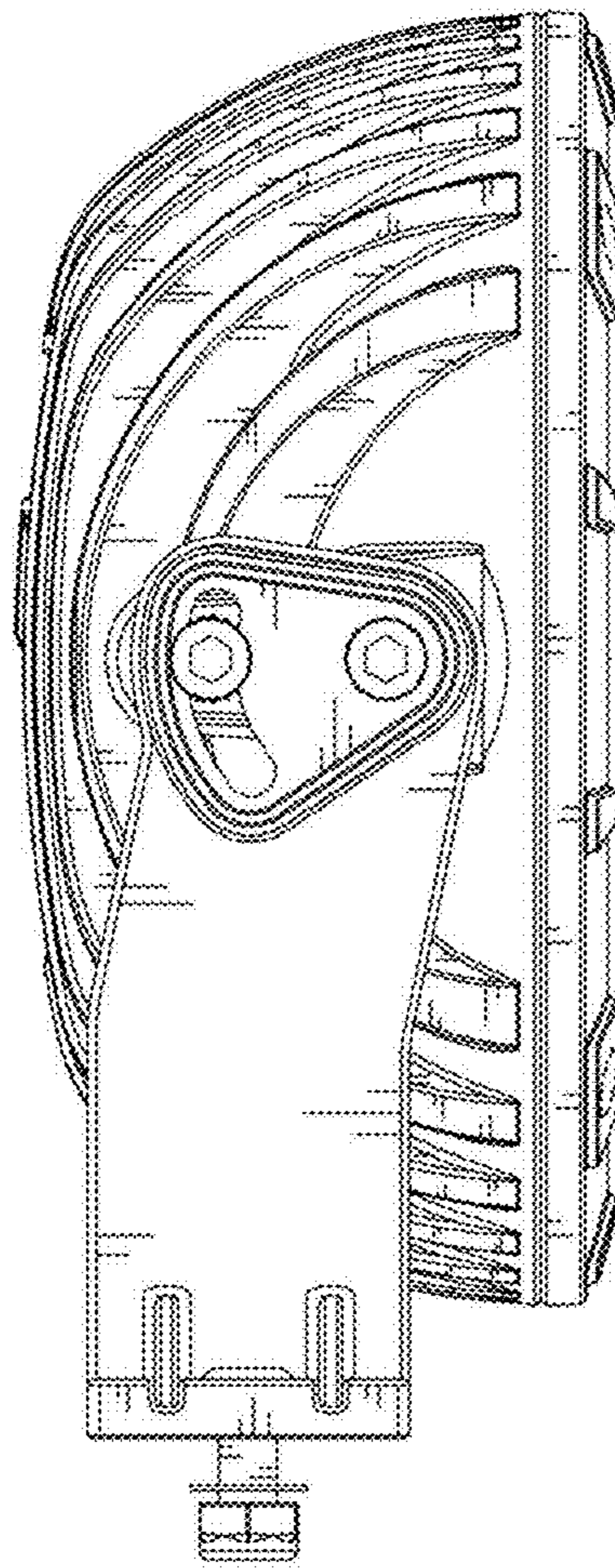


FIG. 5

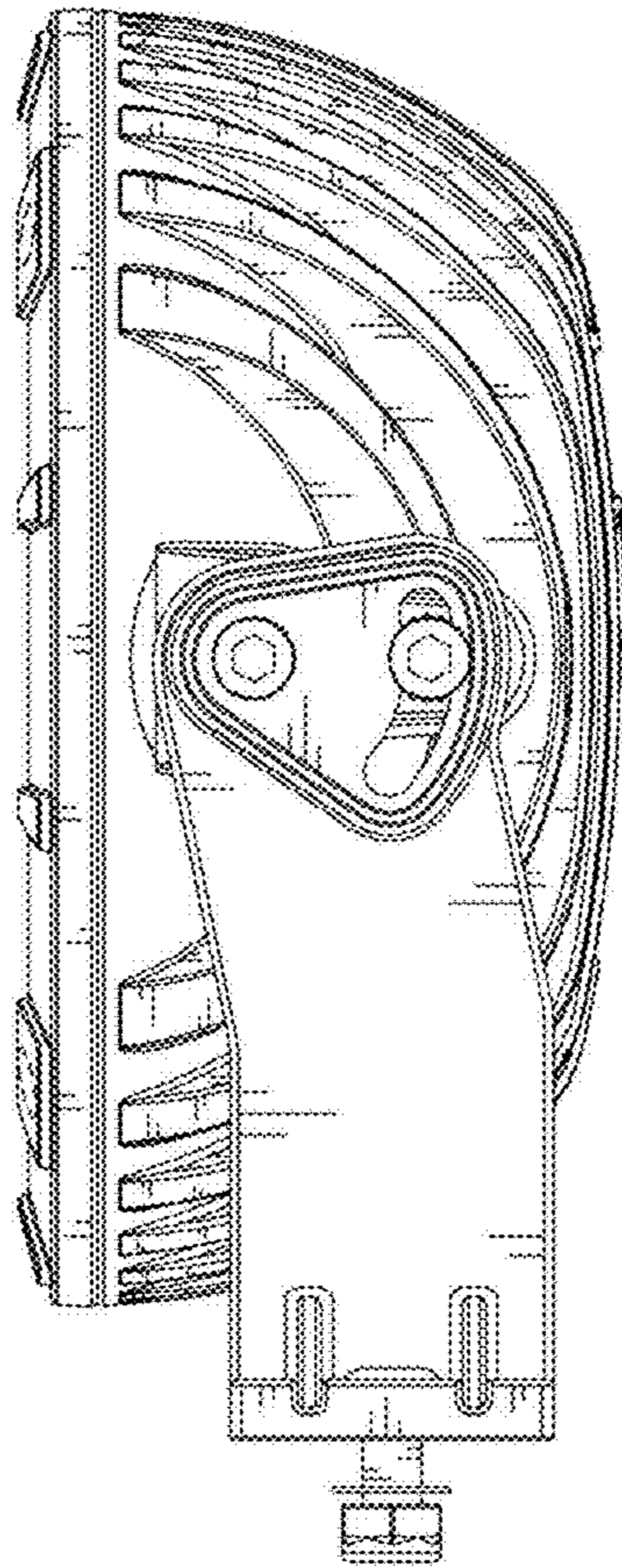


FIG. 6

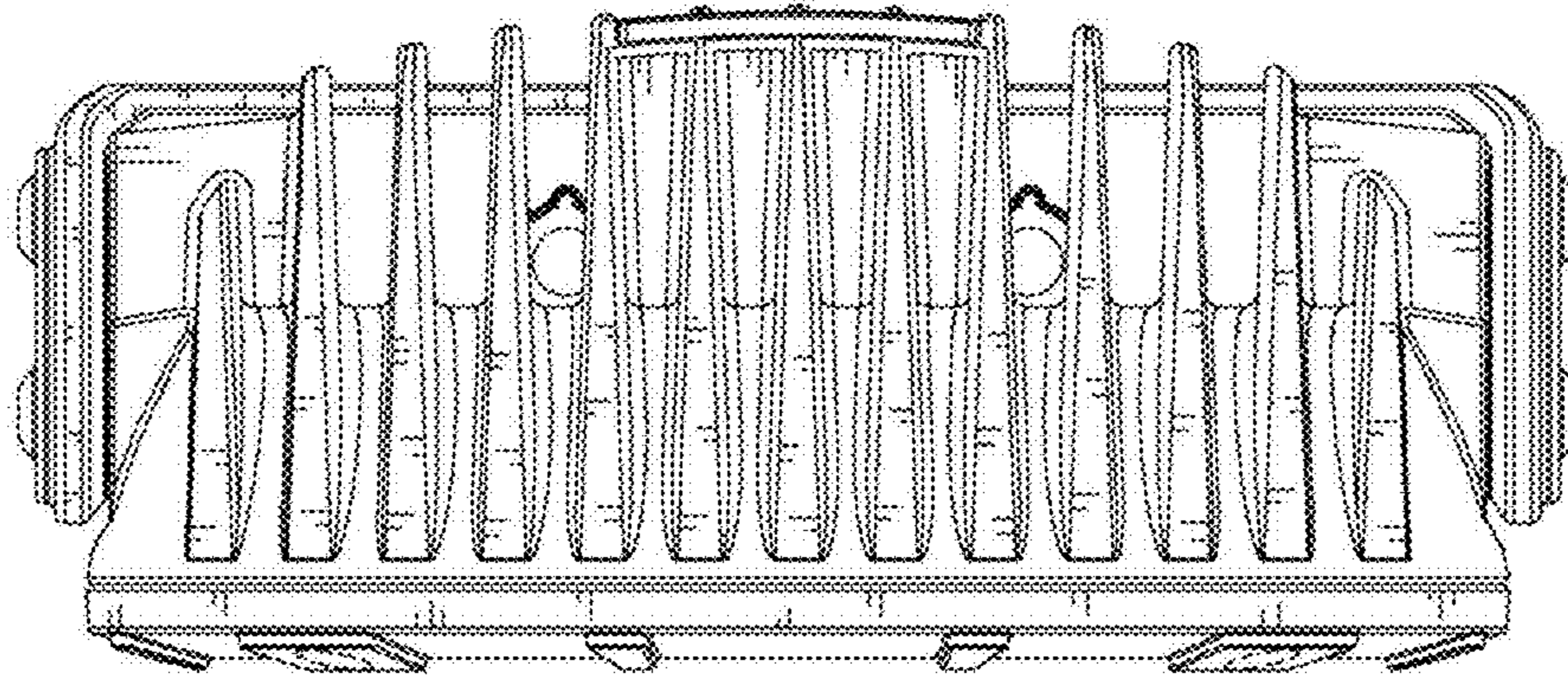


FIG. 7

