



US00D849291S

(12) **United States Design Patent** (10) **Patent No.:** **US D849,291 S**  
**Wu** (45) **Date of Patent:** **\*\* May 21, 2019**

(54) **VEHICLE LIGHT**  
(71) Applicant: **COPLUS INC.**, Tainan (TW)  
(72) Inventor: **Po-Hua Wu**, Tainan (TW)  
(73) Assignee: **Coplus Inc.**, Tainan (TW)  
(\*\*) Term: **15 Years**  
(21) Appl. No.: **29/645,966**

D751,737 S \* 3/2016 Lai ..... D26/28  
D765,895 S \* 9/2016 Haeussinger ..... D26/28  
D767,182 S \* 9/2016 Lai ..... D26/28  
D769,482 S \* 10/2016 Morikawa ..... D26/28  
D797,967 S \* 9/2017 Barry ..... D26/28  
D810,974 S \* 2/2018 Sato ..... D26/28  
D812,275 S \* 3/2018 Wu ..... D26/28  
D831,866 S \* 10/2018 Lin ..... D26/28  
D834,224 S \* 11/2018 Mochizuki ..... D26/28  
D838,019 S \* 1/2019 Lin ..... D26/28  
2014/0192548 A1\* 7/2014 Kracker ..... F21S 41/147  
362/538

(22) Filed: **Apr. 30, 2018**  
(30) **Foreign Application Priority Data**

Oct. 31, 2017 (TW) ..... 106306375

(51) **LOC (11) Cl.** ..... **26-07**  
(52) **U.S. Cl.**  
USPC ..... **D26/28**

(58) **Field of Classification Search**  
USPC ..... D26/28, 29, 30, 31, 32, 33, 34, 35, 36;  
362/459-468, 475-478, 485-487  
CPC ..... F21S 48/00; F21S 48/10; F21S 48/115;  
F21S 48/225; F21S 48/1233; F21S  
48/1266; F21S 48/1388; F21S 48/2268;  
F21V 21/04  
See application file for complete search history.

(56) **References Cited**  
U.S. PATENT DOCUMENTS

D718,894 S \* 12/2014 Lai ..... D26/28  
D740,979 S \* 10/2015 Lee ..... D26/28

\* cited by examiner

*Primary Examiner* — Angela J Lee  
(74) *Attorney, Agent, or Firm* — Lewis Roca Rothgerber  
Christie LLP

(57) **CLAIM**

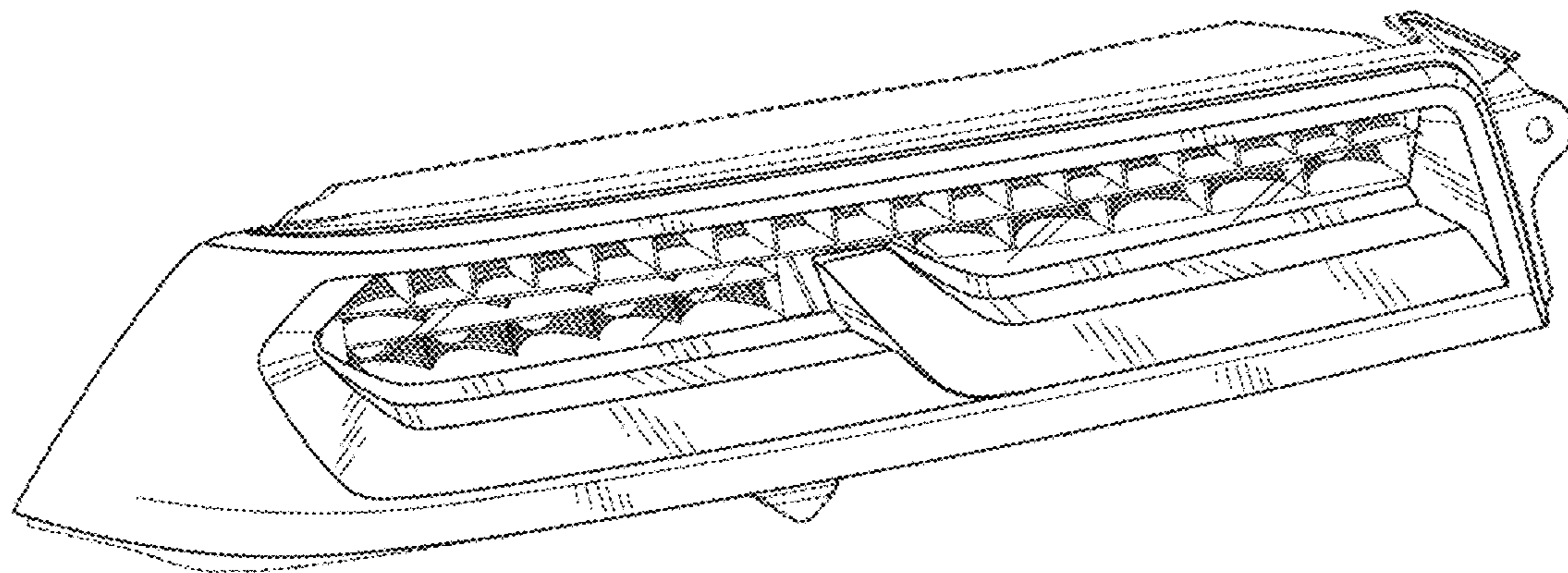
The ornamental design for a vehicle light, as shown and described.

**DESCRIPTION**

FIG. 1 is a perspective view of the vehicle light;  
FIG. 2 is a front view thereof;  
FIG. 3 is a rear view thereof;  
FIG. 4 is a left side view thereof;  
FIG. 5 is a right side view thereof;  
FIG. 6 is a top view thereof; and,  
FIG. 7 is a bottom view.

The broken lines in the drawings are for illustrative purpose only and form no part of the claimed design.

**1 Claim, 5 Drawing Sheets**



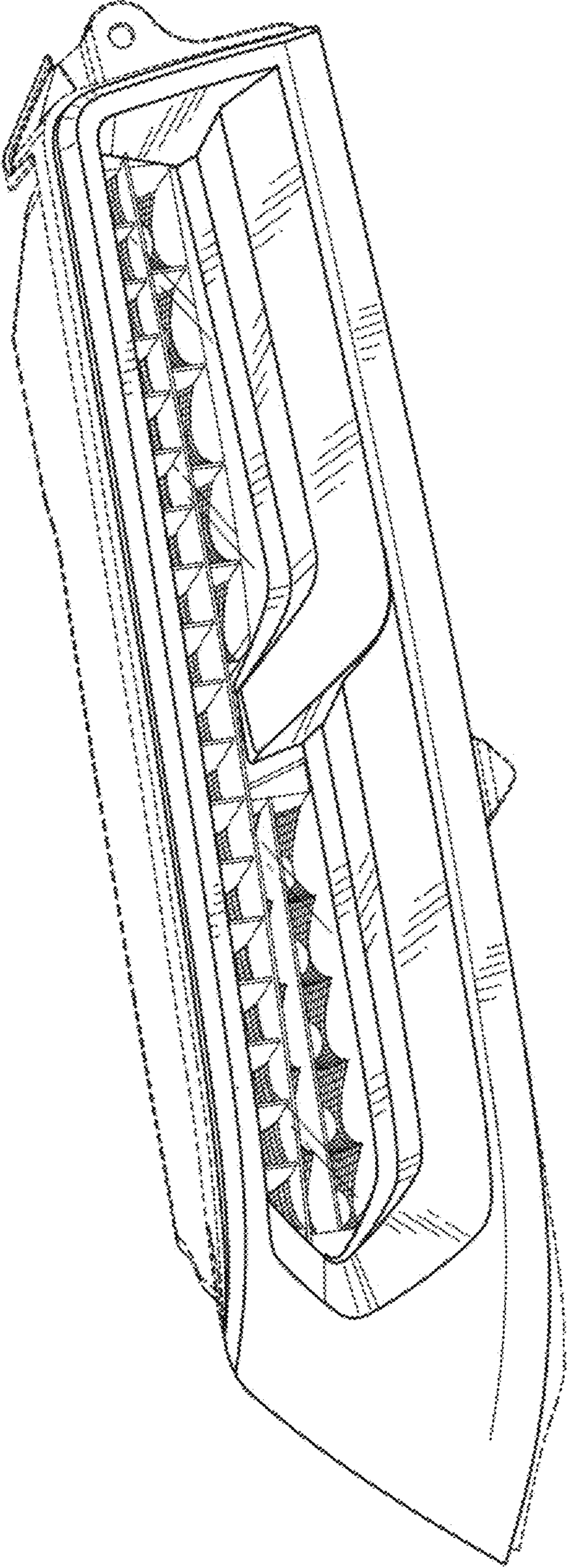


FIG. 1

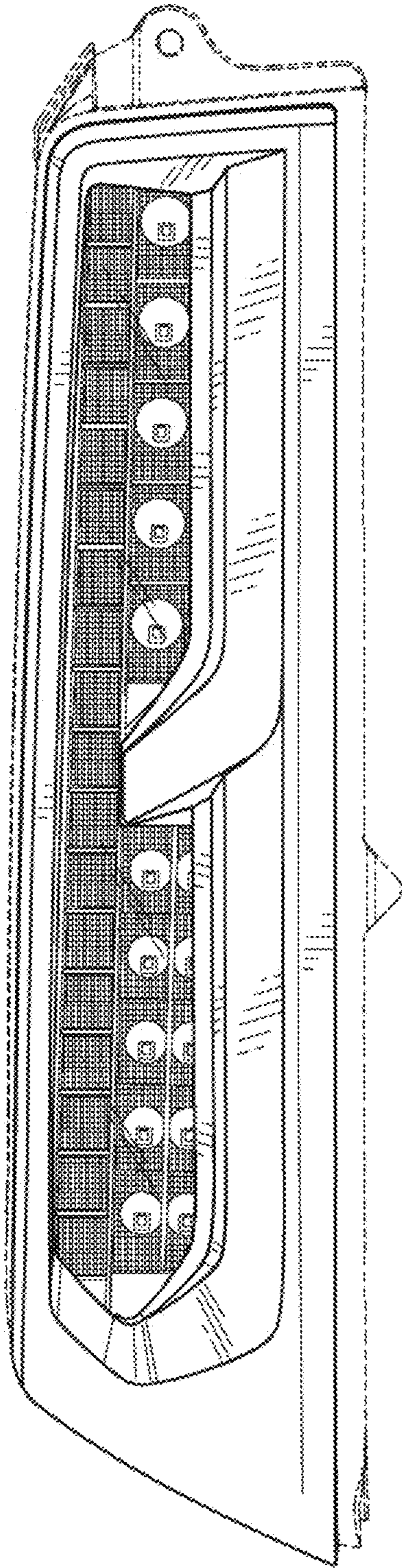


FIG. 2

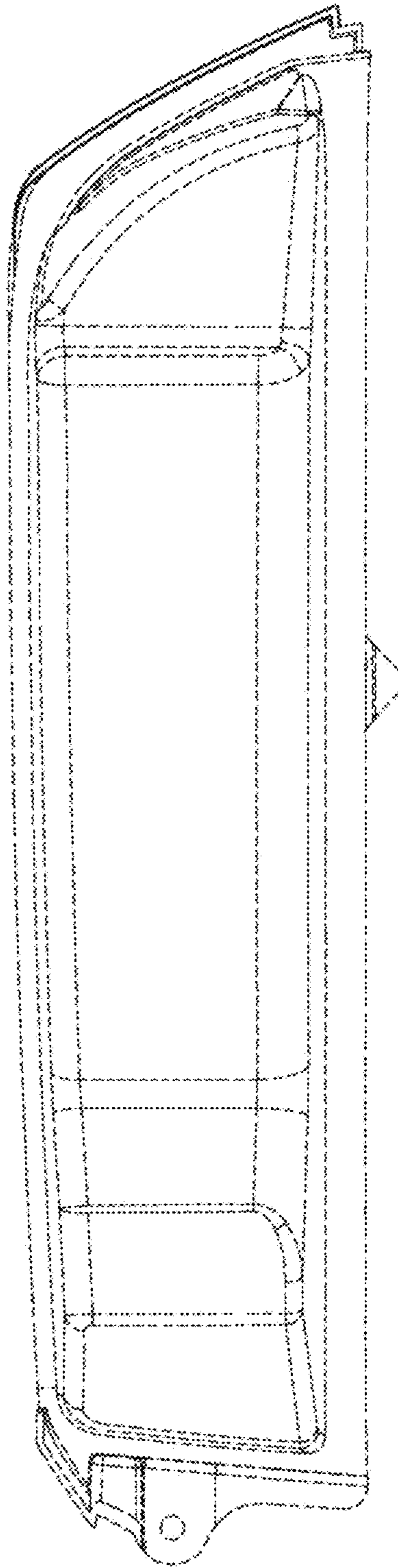


FIG. 3

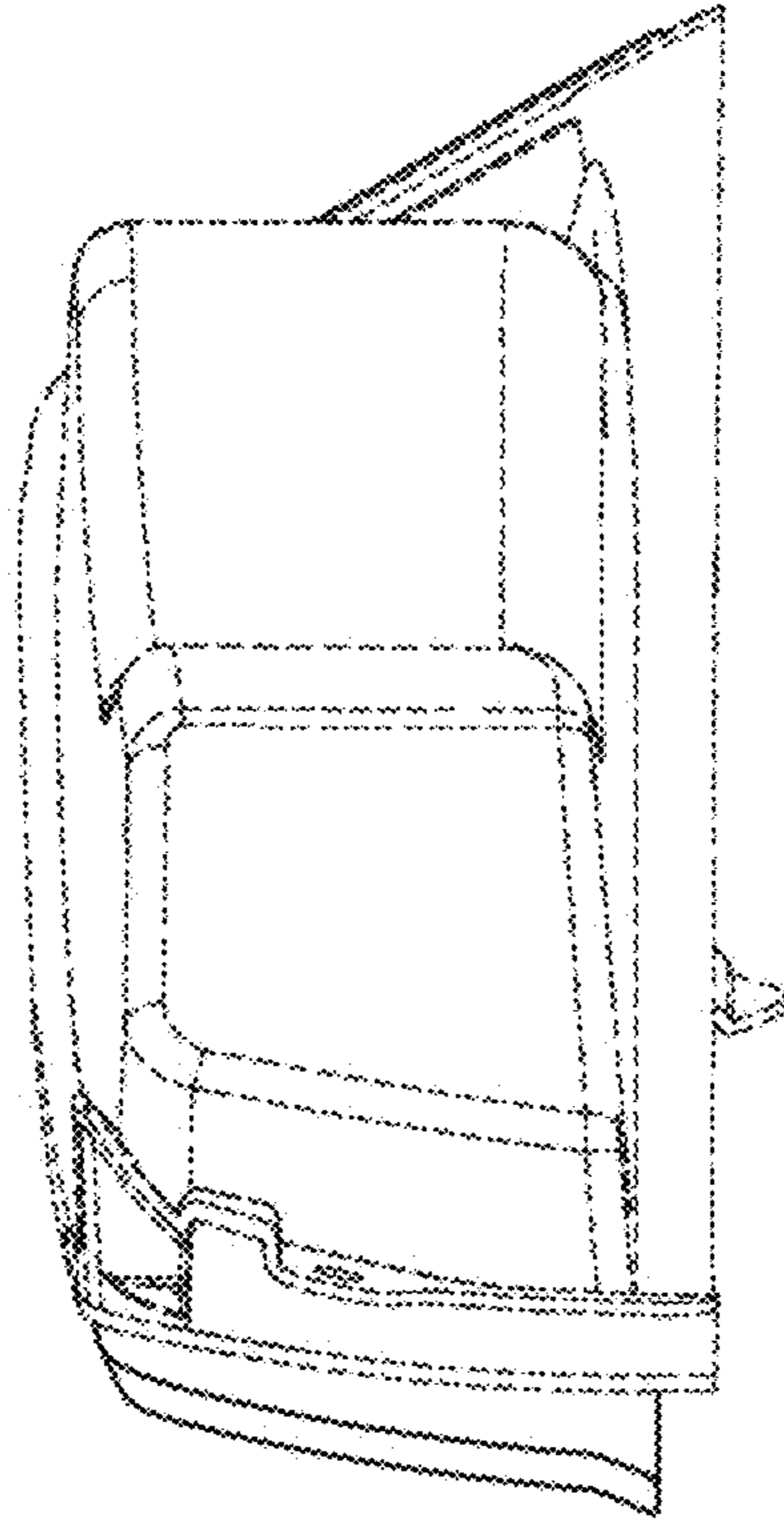


FIG. 5

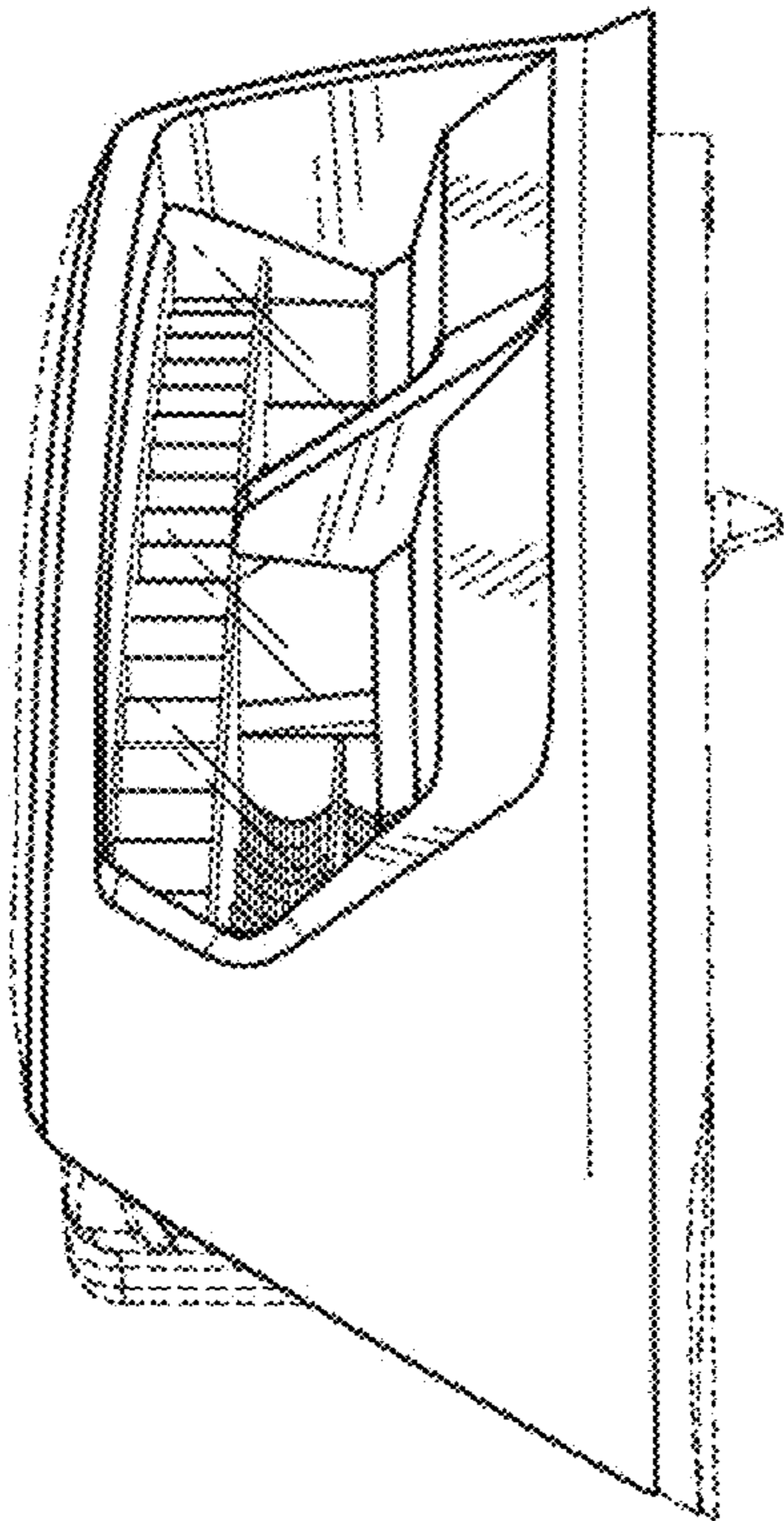


FIG. 4

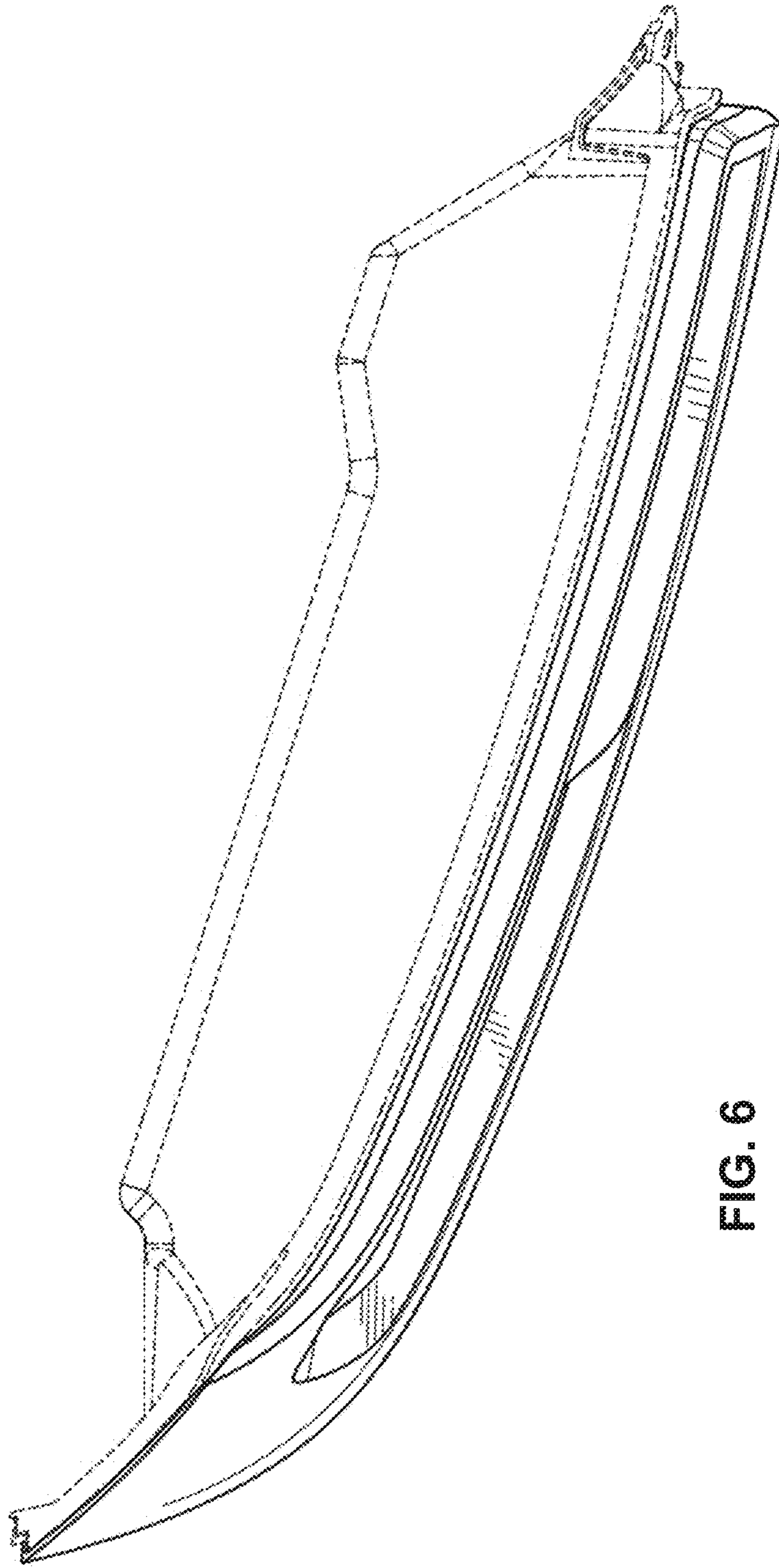


FIG. 6

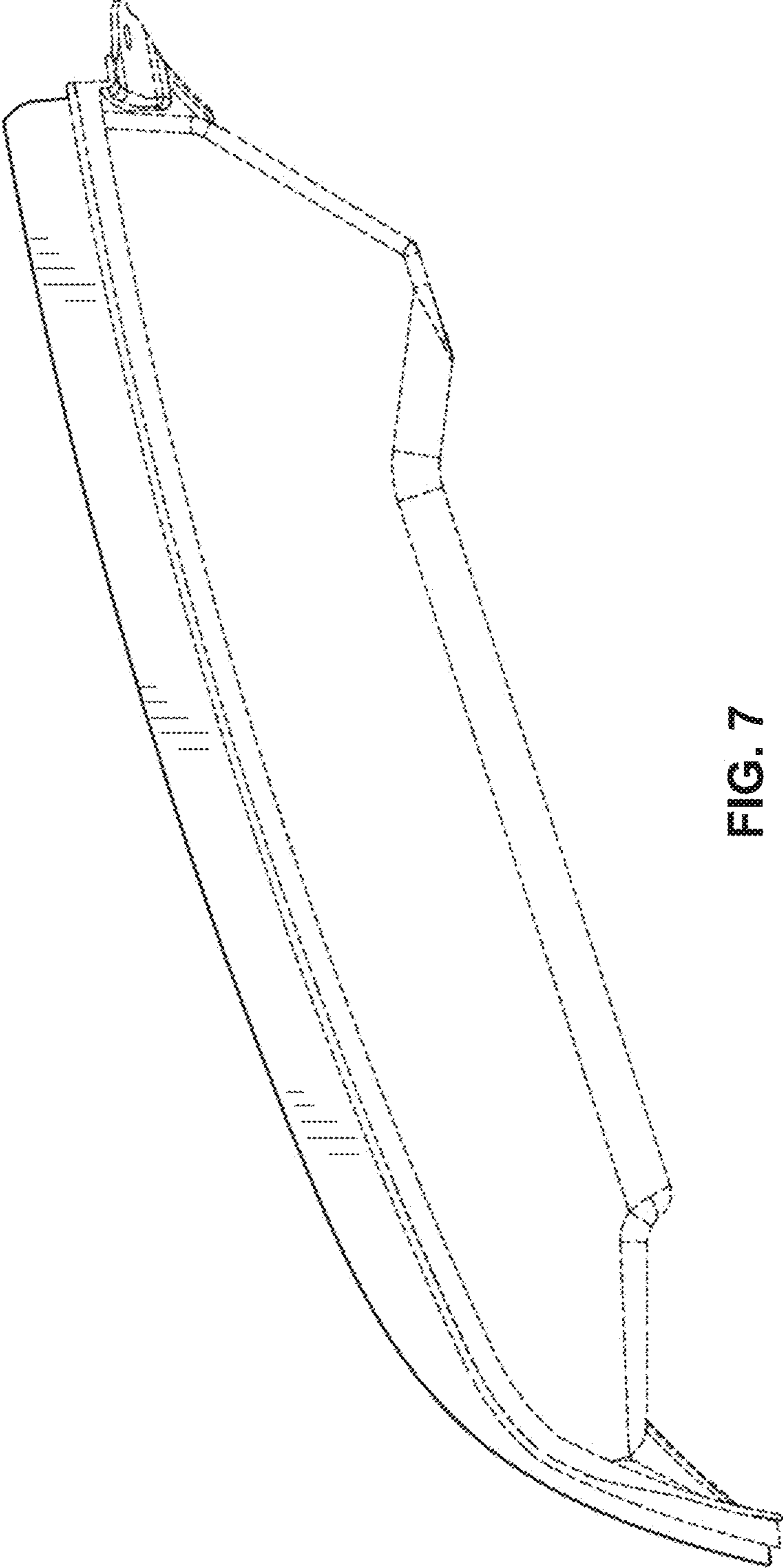


FIG. 7