



US00D849287S

(12) **United States Design Patent**
Redlich

(10) **Patent No.:** **US D849,287 S**

(45) **Date of Patent:** **** May 21, 2019**

(54) **HEADLIGHT FOR A MOTOR VEHICLE**

(71) Applicant: **Dr. Ing. h.c. F. Porsche**
Aktiengesellschaft, Stuttgart (DE)

(72) Inventor: **Heinz Redlich, Ludwigsburg (DE)**

(73) Assignee: **Dr. Ing. h.c. F. Porsche**
Aktiengesellschaft (DE)

(**) Term: **15 Years**

(21) Appl. No.: **29/637,799**

(22) Filed: **Feb. 22, 2018**

(30) **Foreign Application Priority Data**

Aug. 23, 2017 (DE) 40 2017 100 931

(51) **LOC (11) Cl.** **26-06**

(52) **U.S. Cl.**
USPC **D26/28**

(58) **Field of Classification Search**
USPC D26/28-36
CPC B62J 6/001; B62J 6/02; B60Q 9/13; B60Q
9/135; B60Q 9/1375; F21S 48/00; F21S
48/10; F21S 48/115; F21S 48/225; F21S
48/1233; F21S 48/1266; F21S 48/1388;
F21S 48/2268; F21V 21/04
See application file for complete search history.

(56) **References Cited**

U.S. PATENT DOCUMENTS

D490,172 S * 5/2004 Yamamoto D26/28
D564,683 S * 3/2008 Roach D26/28
D626,670 S * 11/2010 Metzger D26/28

D673,310 S 12/2012 Varga
D683,487 S 5/2013 Scheinhütte et al.
D683,488 S 5/2013 Scheinhütte et al.
D688,400 S * 8/2013 Haumann D26/28
D703,349 S 4/2014 Borkert
D706,467 S 6/2014 Robinson
D716,477 S * 10/2014 Chu D26/28
D718,478 S * 11/2014 Adams D26/28
D752,782 S 3/2016 Moessner
D765,892 S 9/2016 Redlich

OTHER PUBLICATIONS

Design U.S. Appl. No. 29/592,789, by Yamashita, filed Feb. 2, 2017.
Design U.S. Appl. No. 29/592,791, by Yamashita, filed Feb. 2, 2017.

* cited by examiner

Primary Examiner — Marcus A Jackson

(74) *Attorney, Agent, or Firm* — RatnerPrestia

(57) **CLAIM**

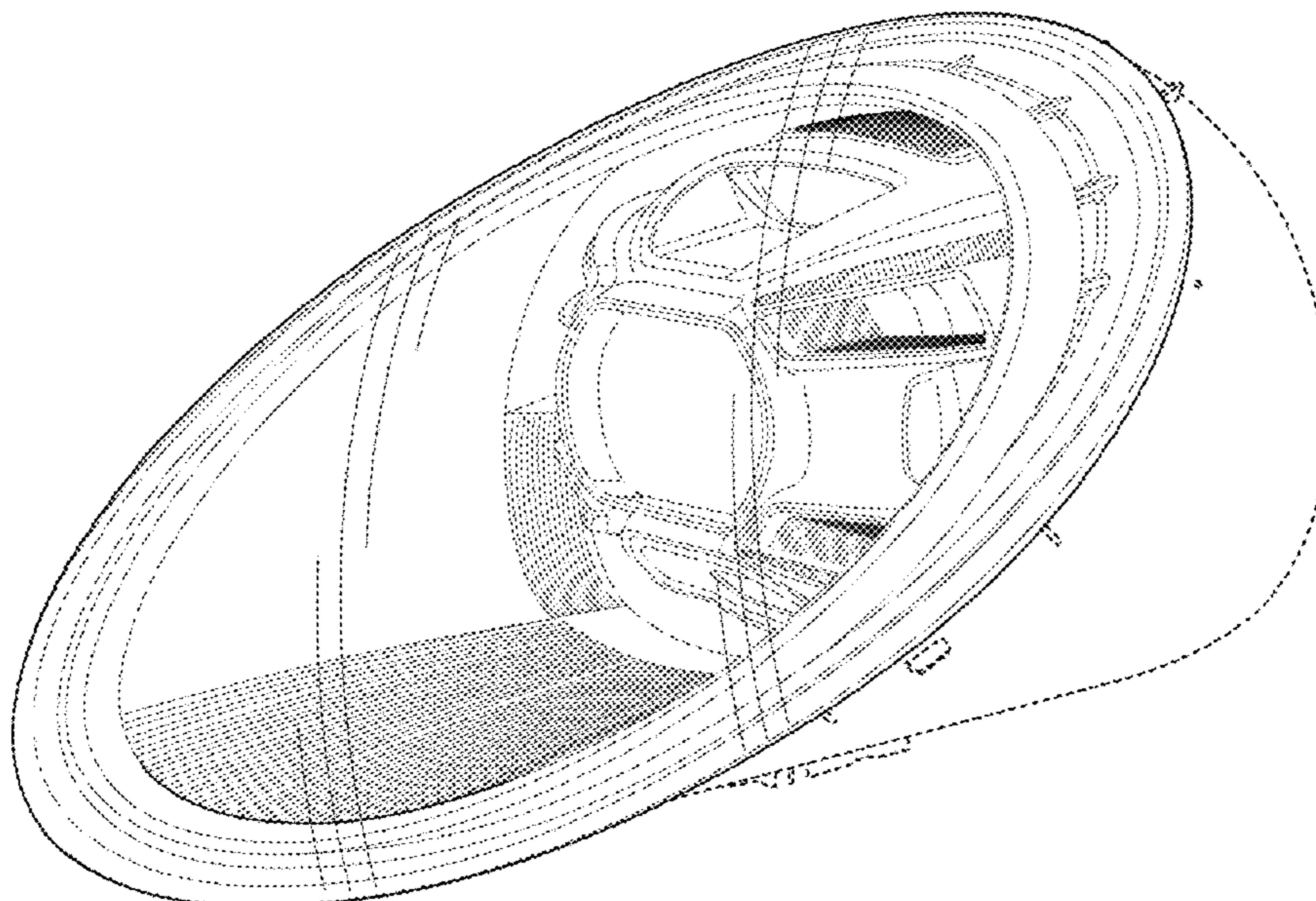
The ornamental design for a headlight for a motor vehicle,
as shown and described.

DESCRIPTION

FIG. 1 is a top side perspective view of a headlight for a
motor vehicle;
FIG. 2 is a right side perspective view thereof;
FIG. 3 is a front elevation view thereof;
FIG. 4 is an elevation view thereof from the left side;
FIG. 5 is an elevation view thereof from the right side; and,
FIG. 6 is a top plan view thereof.

The broken line showing of the headlight for a motor vehicle
is for the purpose of illustrating portions of the headlight for
a motor vehicle and forms no part of the claimed design.

1 Claim, 6 Drawing Sheets



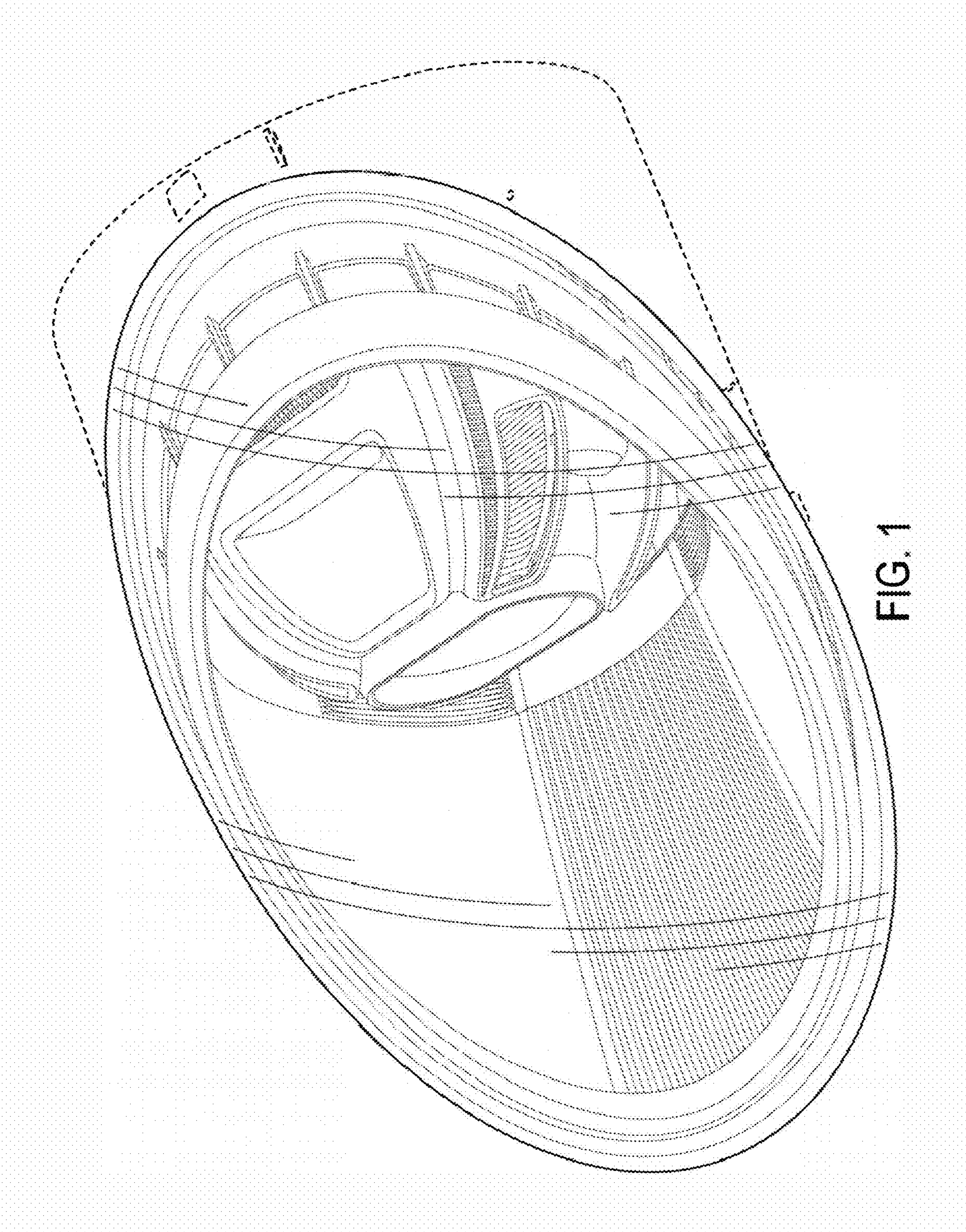


FIG. 1

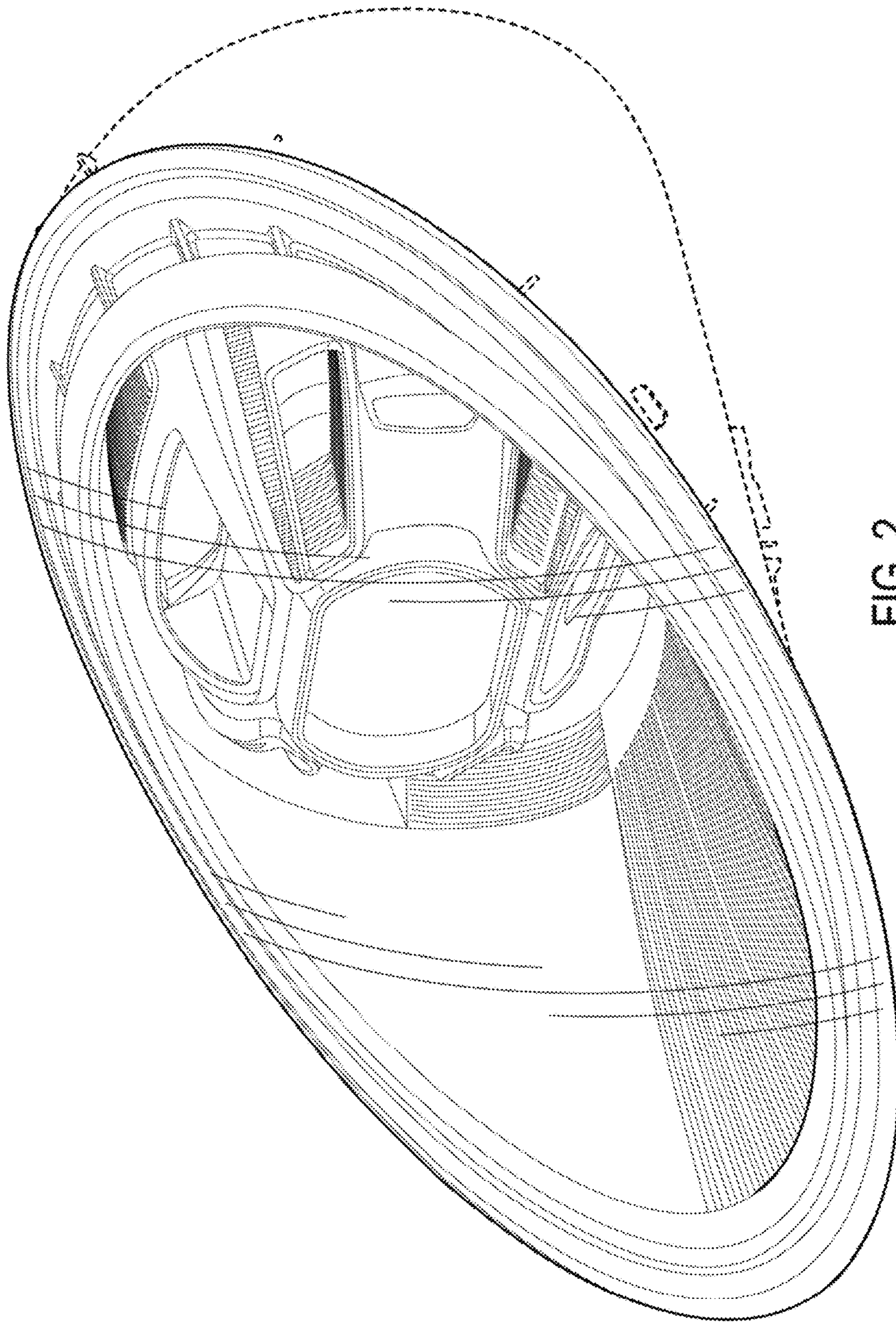


FIG. 2

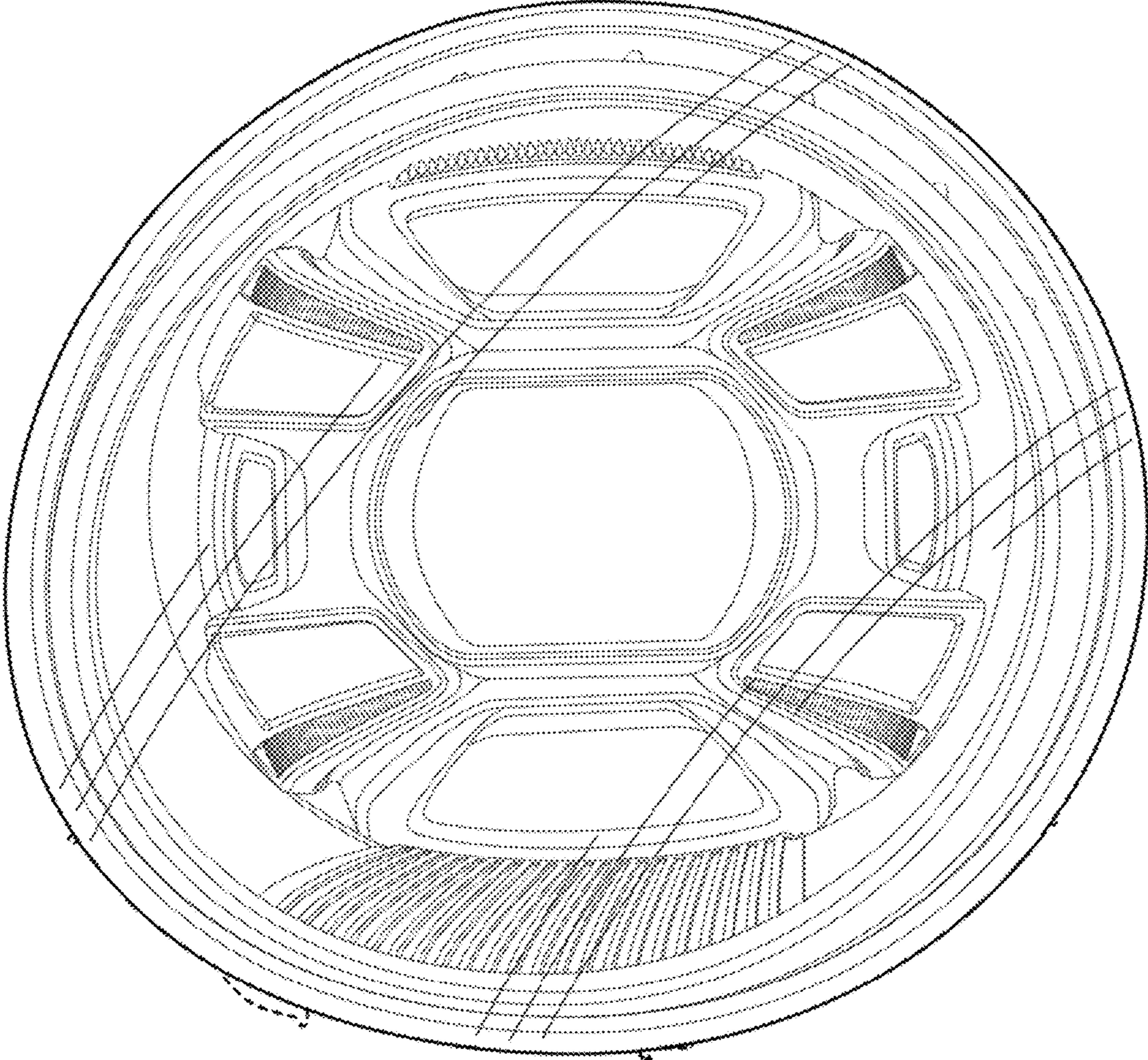


FIG. 3

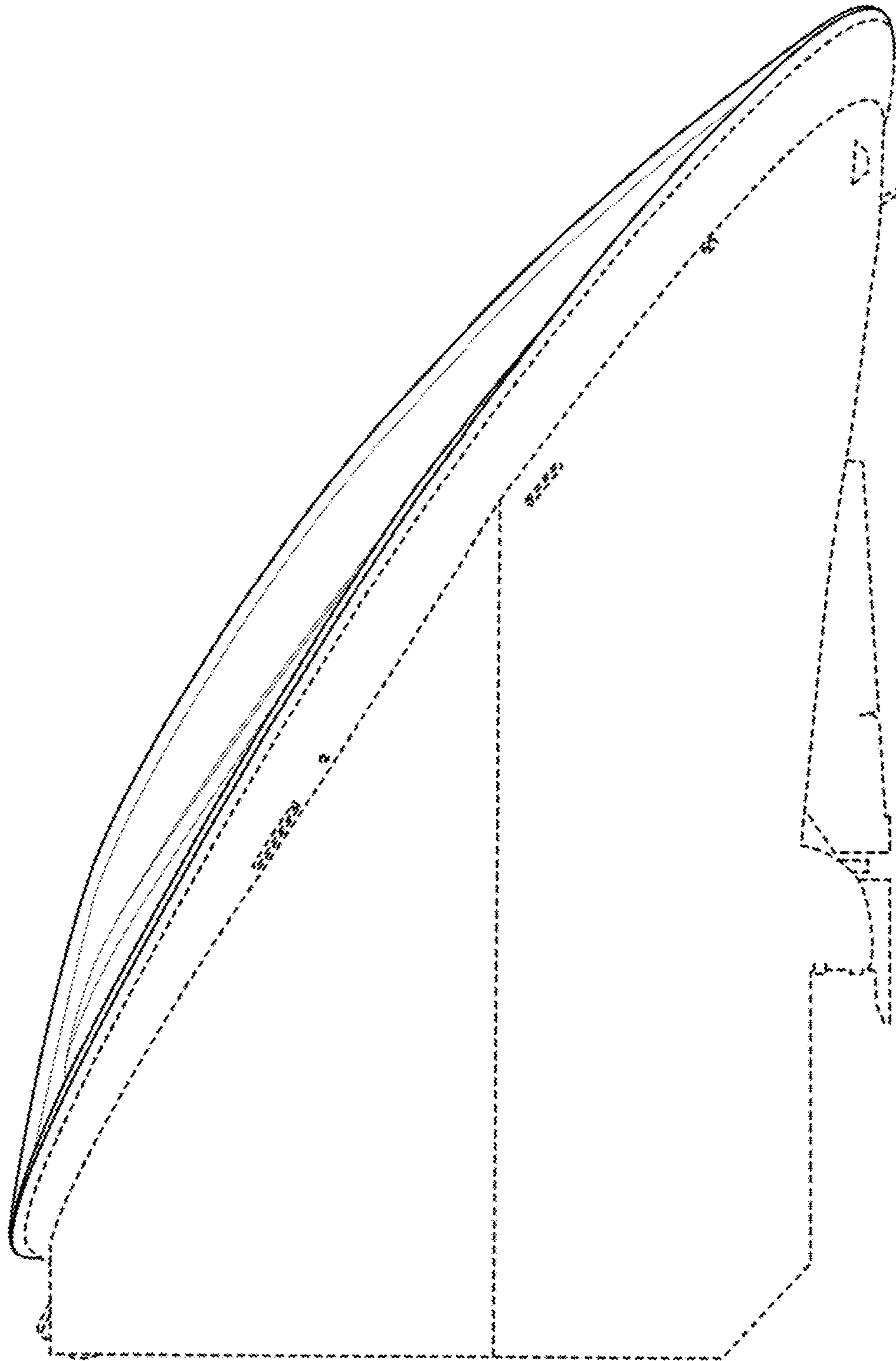


FIG. 4

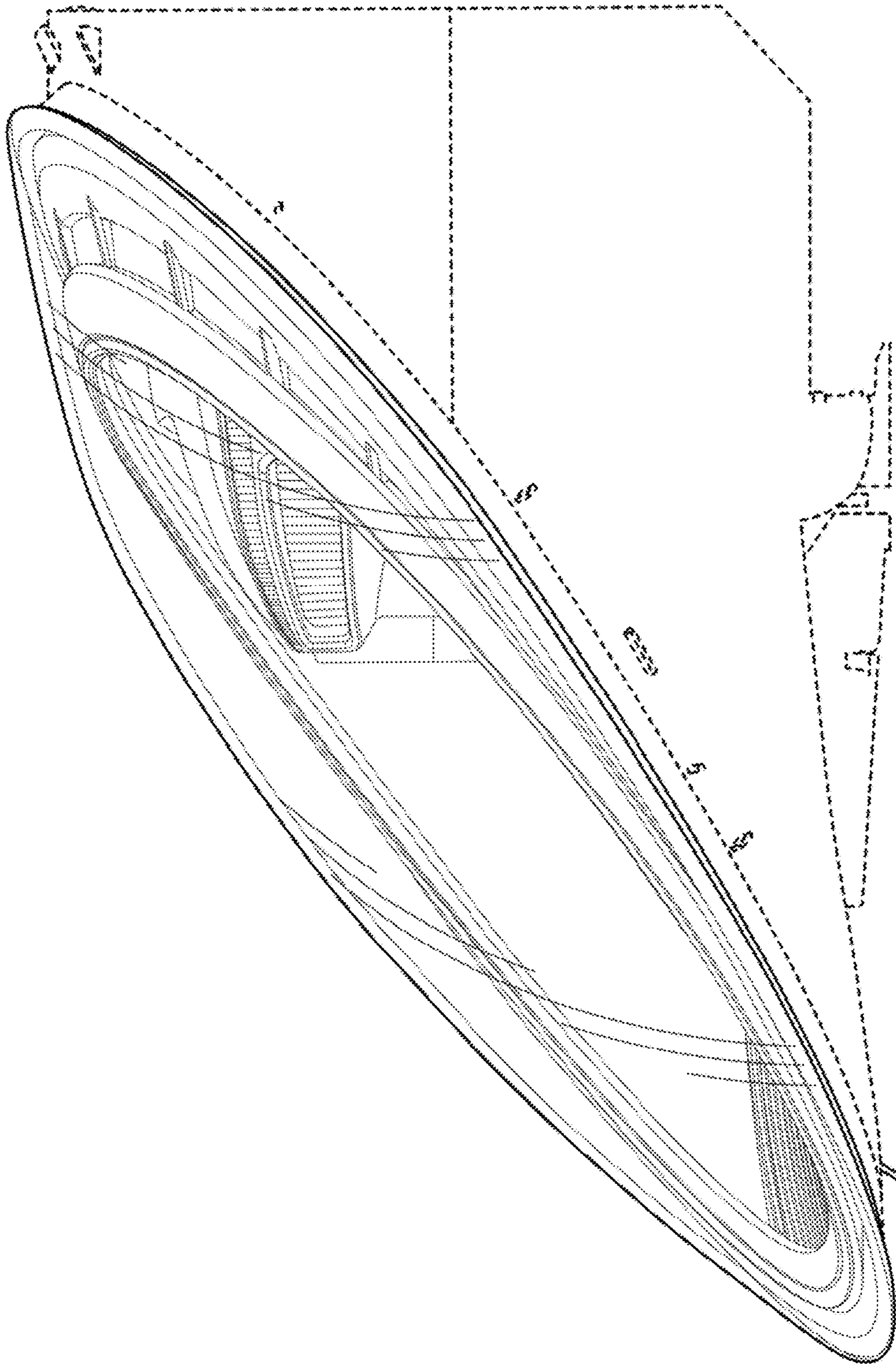


FIG. 5

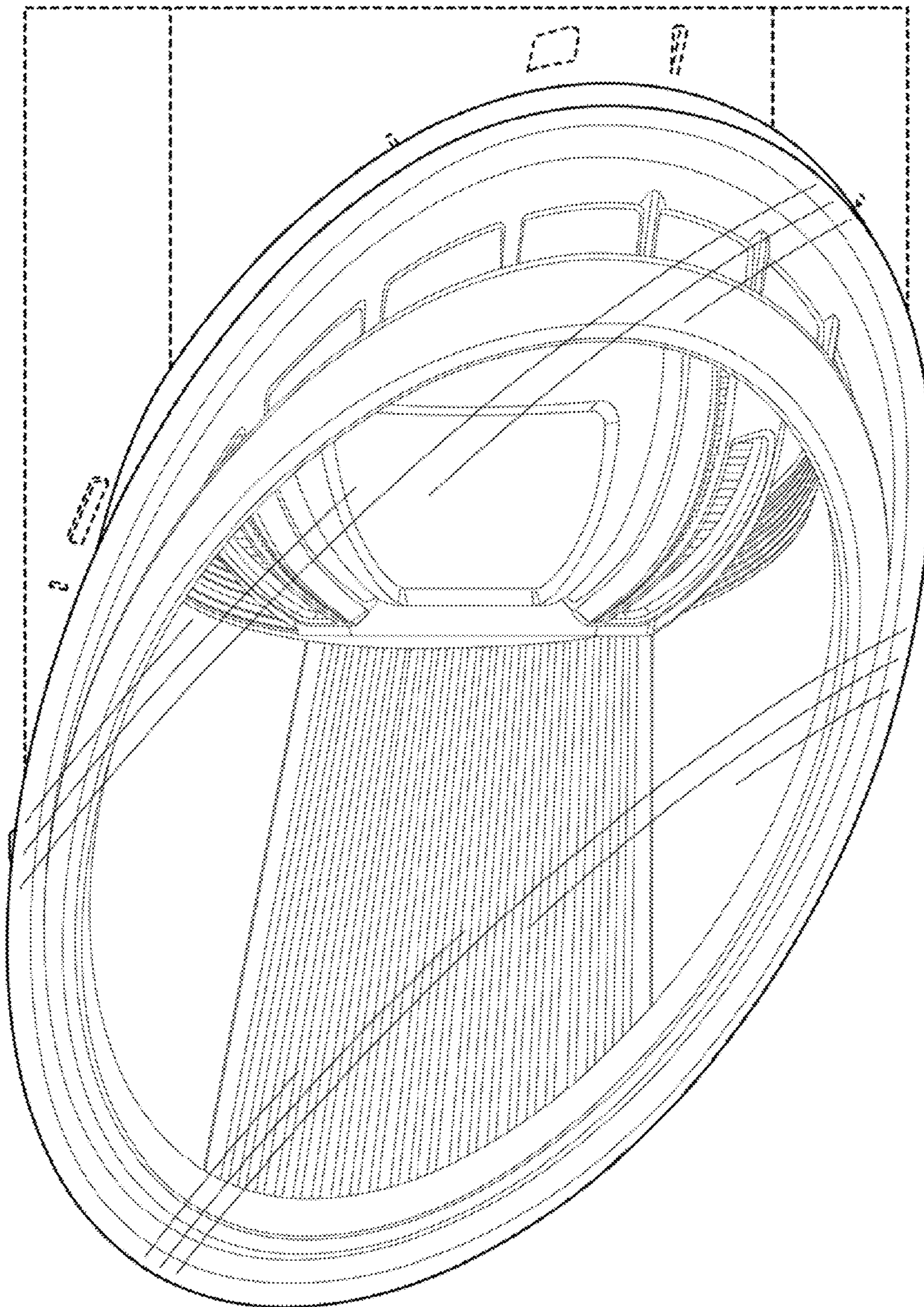


FIG. 6