



US00D849286S

(12) **United States Design Patent**
Lin

(10) **Patent No.:** **US D849,286 S**

(45) **Date of Patent:** **** May 21, 2019**

(54) **AUTOMOBILE BRAKE LIGHT**

(71) Applicant: **Chi-Chung Lin**, Hsinchu (TW)

(72) Inventor: **Chi-Chung Lin**, Hsinchu (TW)

(**) Term: **15 Years**

(21) Appl. No.: **29/627,000**

(22) Filed: **Nov. 21, 2017**

(51) **LOC (11) Cl.** **26-06**

(52) **U.S. Cl.**
USPC **D26/28**

(58) **Field of Classification Search**
USPC D12/86, 90-92, 114, 163, 169, 171-173,
D12/181, 190, 196, 197, 199, 400;
D17/1, 222; D26/28-36
CPC .. B62J 6/02; B62J 6/00; B60Q 3/0279; B60Q
3/104; B60Q 3/10408; B60Q 3/10466;
B60Q 3/12653; B60Q 3/128; F21S 48/00;
F21S 48/10; F21S 48/115; F21S 48/225;
F21S 48/1233; F21S 48/1266; F21S
48/1388; F21S 48/2268; F21V 21/04
See application file for complete search history.

(56) **References Cited**

U.S. PATENT DOCUMENTS

D518,198 S * 3/2006 Chuang D26/28
D592,336 S * 5/2009 Hsu D26/28
D625,033 S * 10/2010 Hara D26/28
D631,177 S * 1/2011 Yang D26/28

D637,320 S * 5/2011 Yang D26/28
D714,473 S * 9/2014 Mornet D26/28
D768,895 S * 10/2016 Platto D26/28
D775,384 S * 12/2016 Lin D26/28
D775,385 S * 12/2016 Lin D26/28
D812,276 S * 3/2018 Lin D26/28
D835,312 S * 12/2018 Yang D26/28

* cited by examiner

Primary Examiner — Philip S Hyder

Assistant Examiner — Cary M Robinson

(74) *Attorney, Agent, or Firm* — Alexander Chen, Esq.;
Agnew International Patent & Trademark Law Firm

(57) **CLAIM**

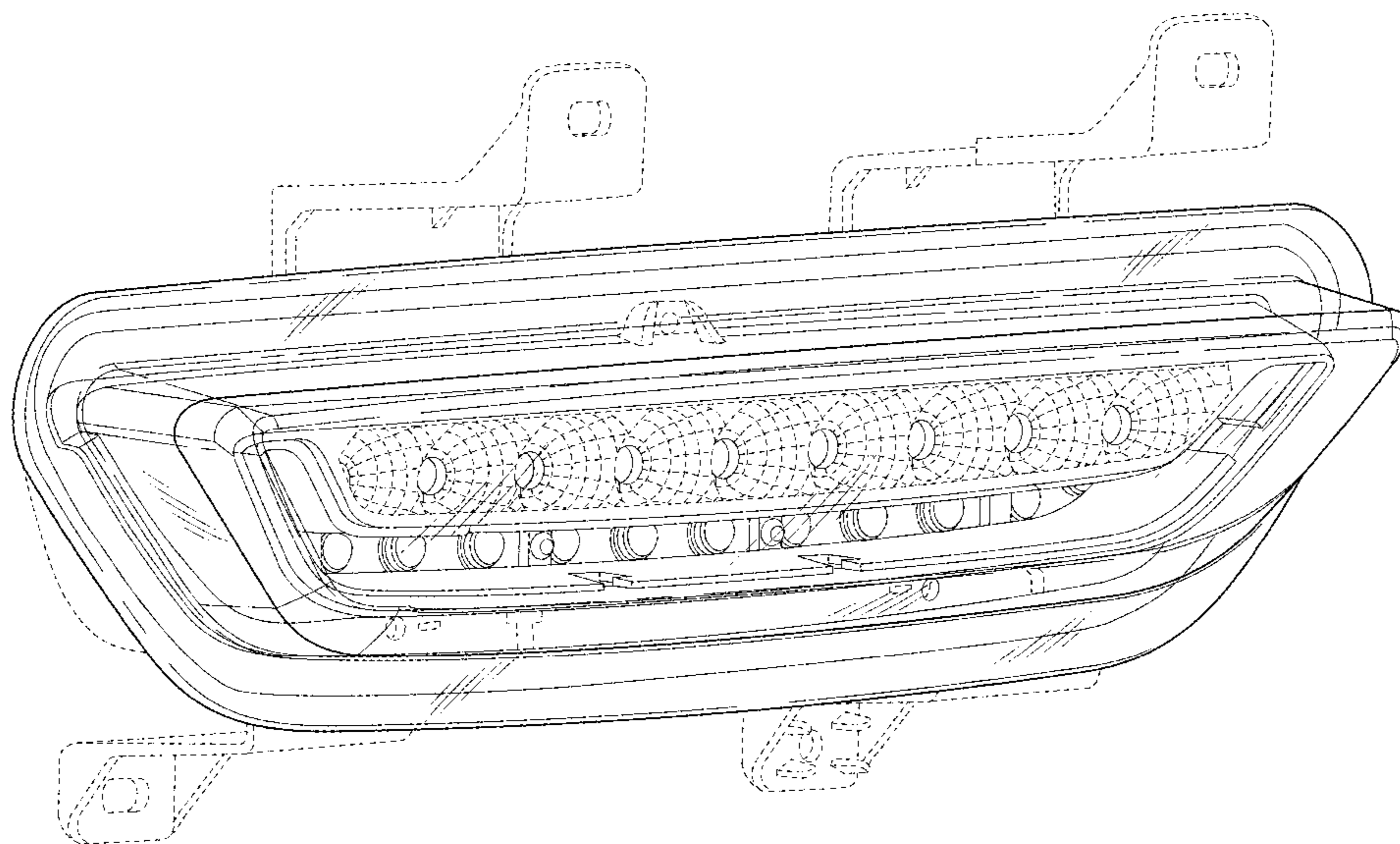
The ornamental design for an automobile brake light, as shown and described.

DESCRIPTION

FIG. 1 is a perspective view of an automobile brake light; FIG. 2 is a front view thereof; FIG. 3 is a side view thereof; FIG. 4 is a side view thereof; FIG. 5 is a bottom view thereof; and, FIG. 6 is a top view thereof.

The broken lines illustrate portions of the automobile brake light in which the design is embodied and form no part of the claimed design. The drawings and descriptions represent the left side embodiment. The claim is also for a mirror image right side embodiment.

1 Claim, 5 Drawing Sheets



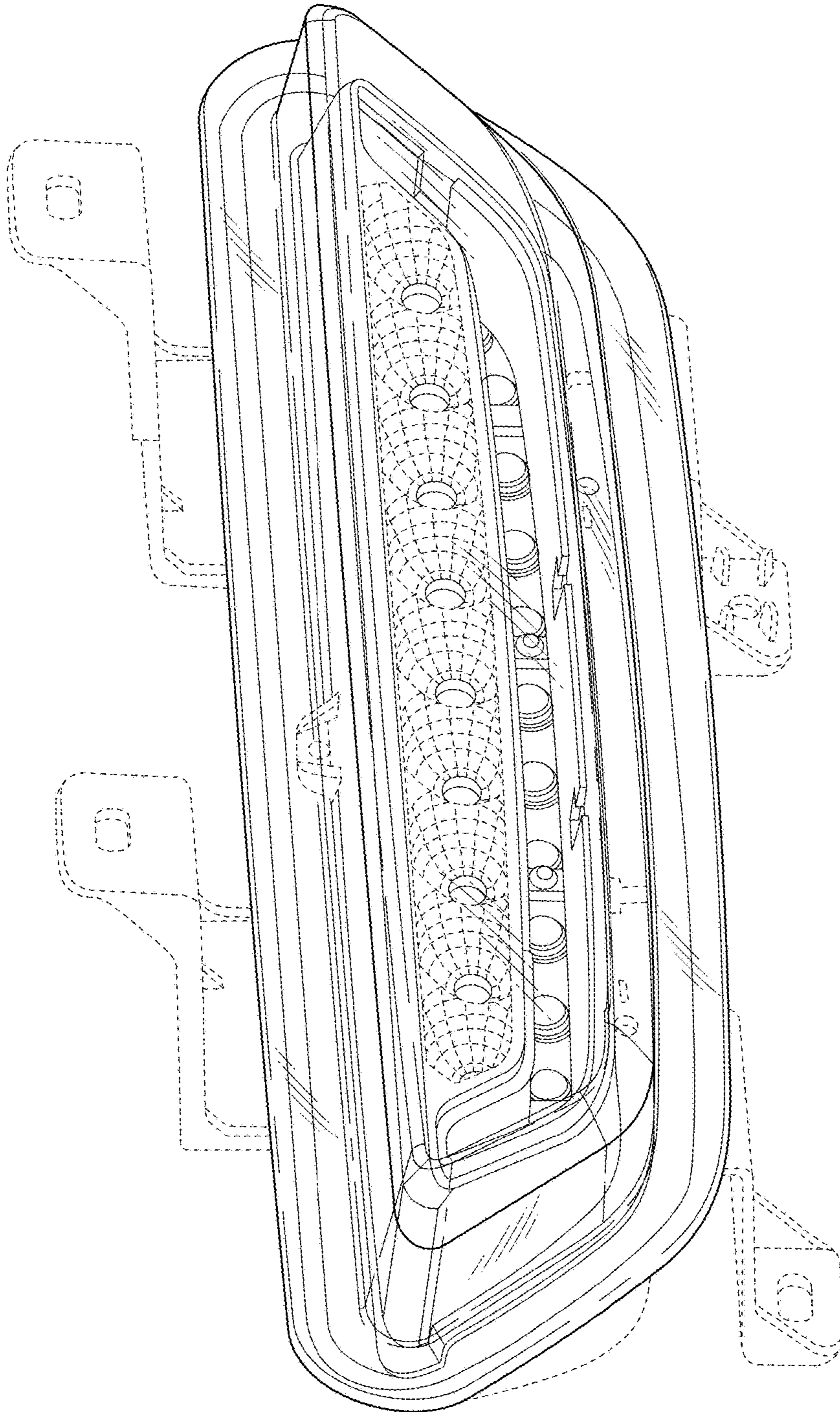


FIG. 1

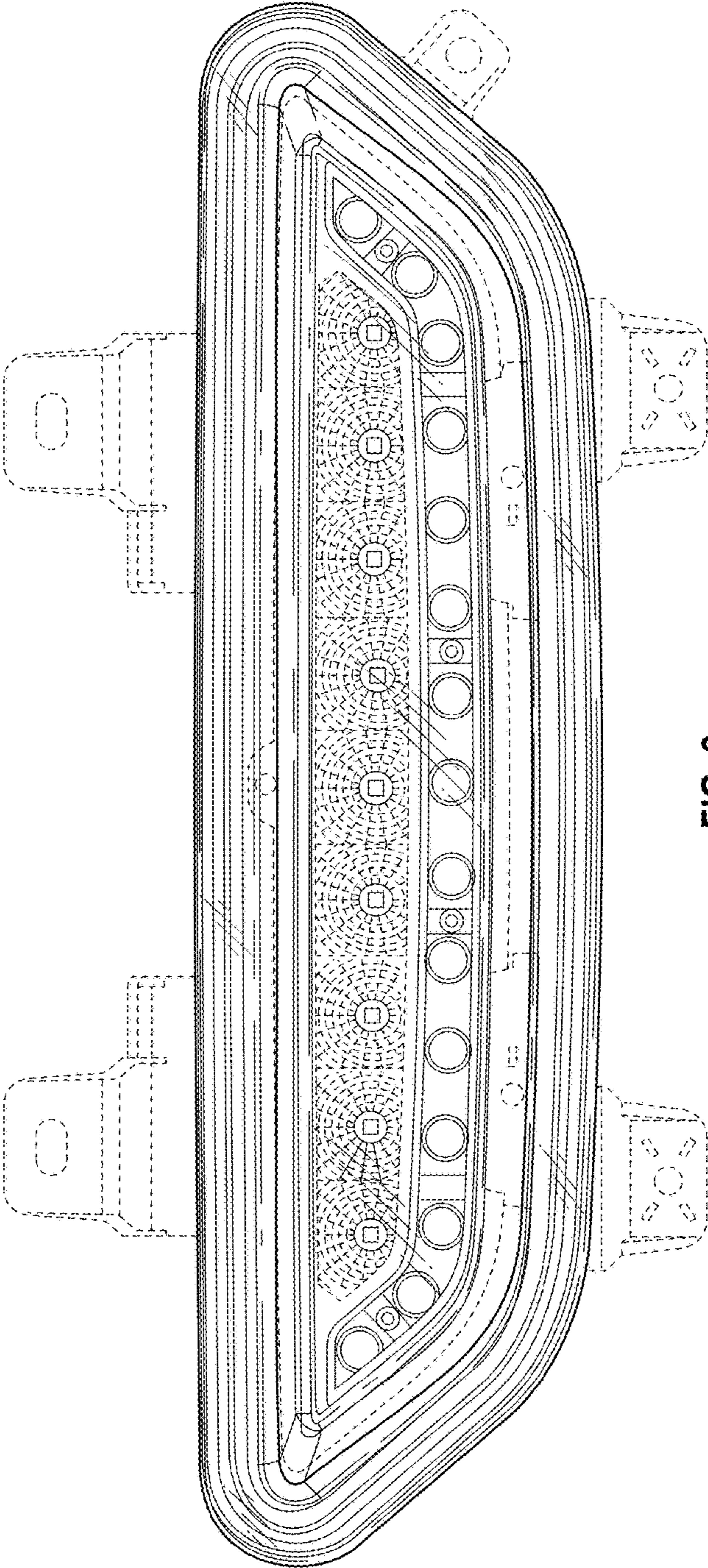


FIG. 2

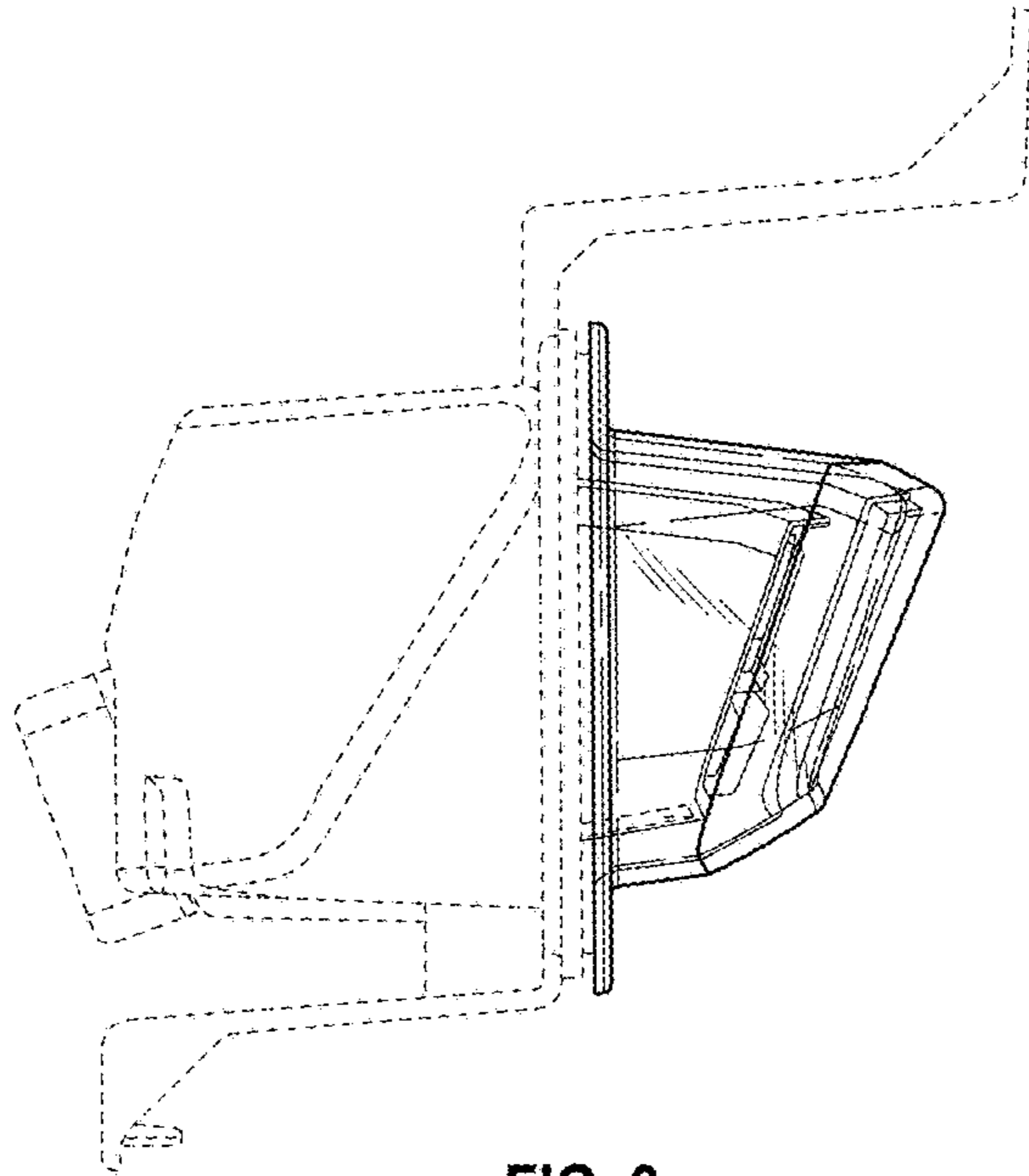


FIG. 3

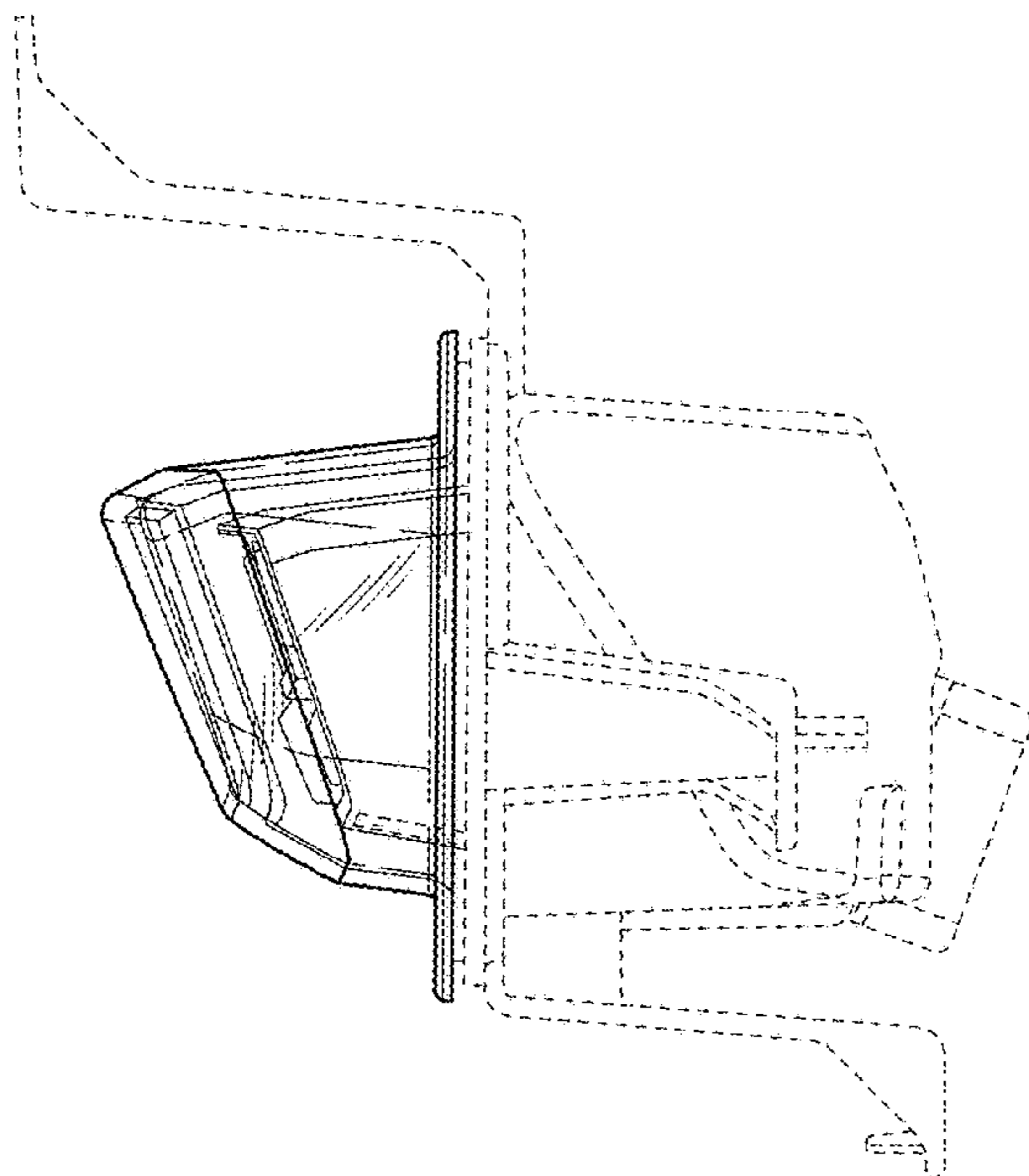


FIG. 4

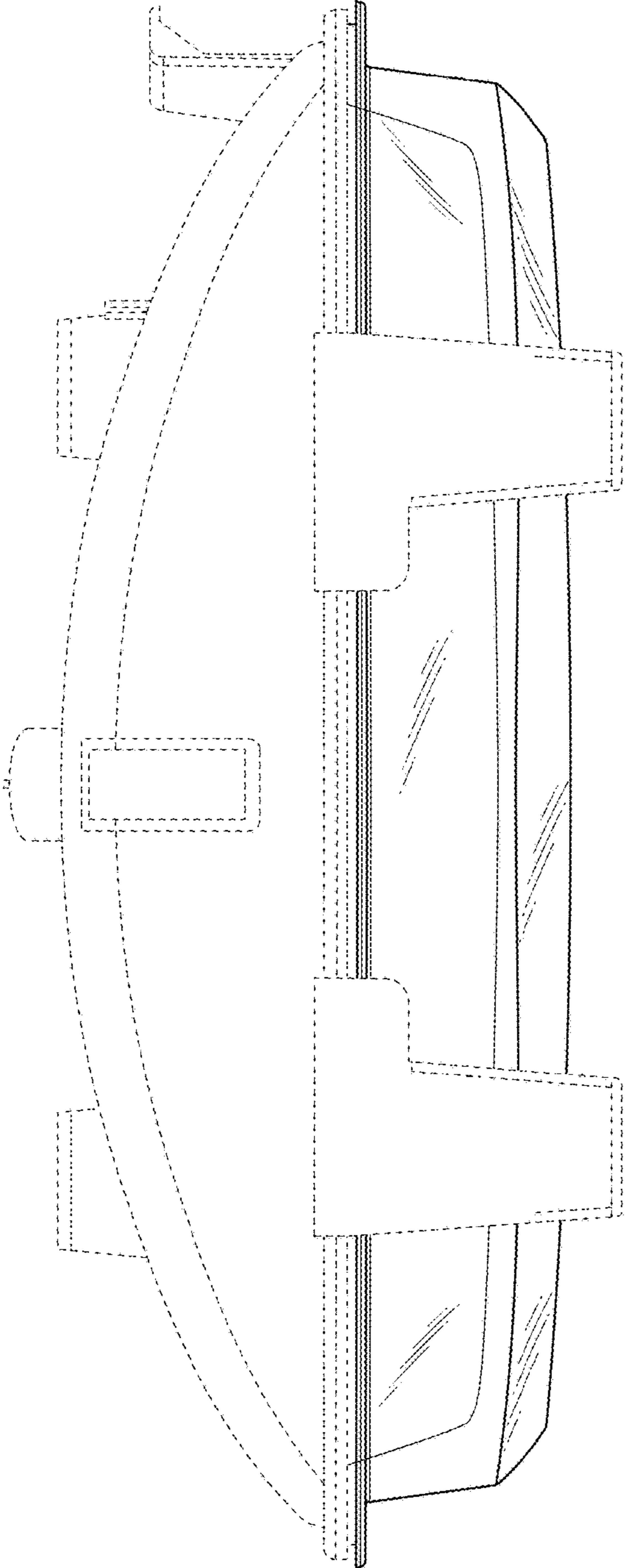


FIG. 5

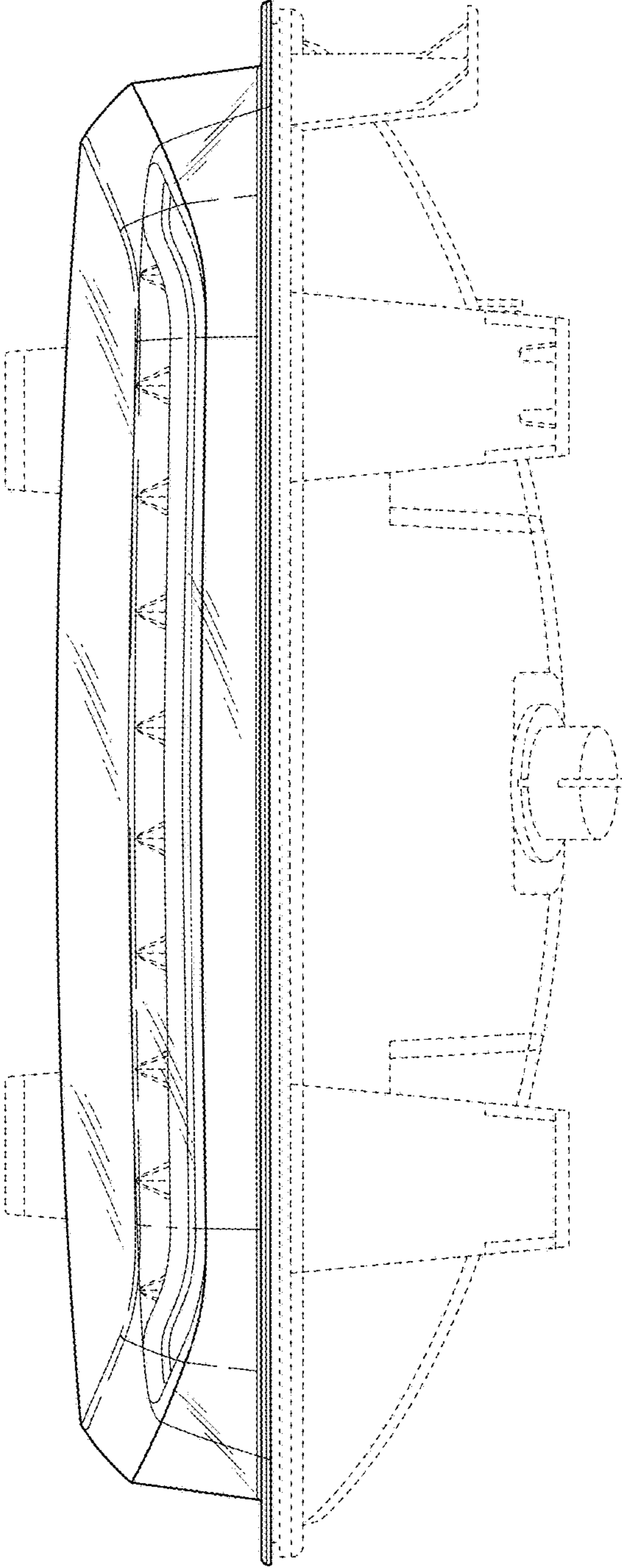


FIG. 6