



US00D849285S

(12) **United States Design Patent** (10) **Patent No.:** **US D849,285 S**
Lin (45) **Date of Patent:** **** May 21, 2019**

(54) **AUTOMOBILE HEADLIGHT**
(71) Applicant: **Chi-Chung Lin**, Hsinchu (TW)
(72) Inventor: **Chi-Chung Lin**, Hsinchu (TW)
(**) Term: **15 Years**
(21) Appl. No.: **29/613,591**
(22) Filed: **Aug. 11, 2017**
(51) **LOC (11) Cl.** **26-06**
(52) **U.S. Cl.**
USPC **D26/28**
(58) **Field of Classification Search**
USPC D12/86, 90-92, 114, 163, 169, 171-173,
D12/181, 190, 196, 197, 199, 400;
D17/1, 222; D26/28-36
CPC .. B62J 6/02; B62J 6/00; B60Q 3/0279; B60Q
3/104; B60Q 3/10408; B60Q 3/10466;
B60Q 3/12653; B60Q 3/128; F21S 48/00;
F21S 48/10; F21S 48/115; F21S 48/225;
F21S 48/1233; F21S 48/1266; F21S
48/1388; F21S 48/2268; F21V 21/04
See application file for complete search history.

(56) **References Cited**
U.S. PATENT DOCUMENTS
D560,292 S * 1/2008 Sato D26/28
D574,524 S * 8/2008 Tomatsu D26/28
D703,847 S * 4/2014 MacKay D26/28

D749,246 S * 2/2016 Thole D26/28
D769,478 S * 10/2016 Gorsten Schuenemann .. D26/28
D771,850 S 11/2016 Platto
D812,274 S * 3/2018 Wu D26/28
D816,247 S * 4/2018 Wu D26/28
D822,235 S * 7/2018 Lin D26/28
D831,247 S * 10/2018 Lin D26/28
D832,476 S * 10/2018 Yang D26/28

* cited by examiner

Primary Examiner — Philip S Hyder
Assistant Examiner — Cary M Robinson
(74) *Attorney, Agent, or Firm* — Alexander Chen, Esq.;
Agnew International Patent & Trademark Law Firm

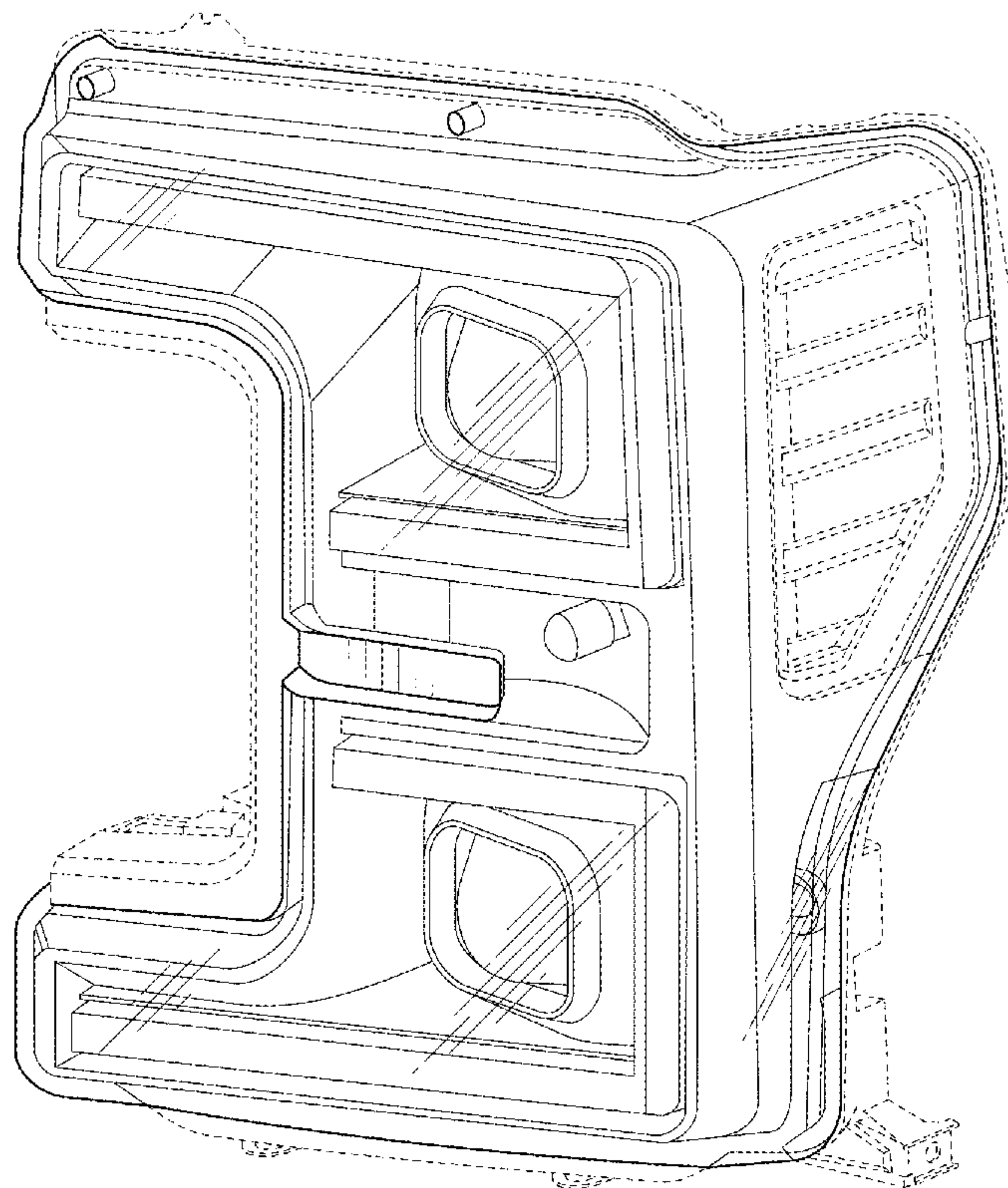
(57) **CLAIM**

The ornamental design for an automobile headlight, as shown and described.

DESCRIPTION

FIG. 1 is a perspective view of an automobile headlight; FIG. 2 is a front view thereof; FIG. 3 is a right side view thereof; FIG. 4 is a top side view thereof; and, FIG. 5 is a perspective and exploded view thereof. The broken lines illustrate portions of the automobile headlight in which the design is embodied and form no part of the claimed design. The drawings and descriptions represent the right side embodiment. The claim is also for a mirror image left side embodiment.

1 Claim, 5 Drawing Sheets



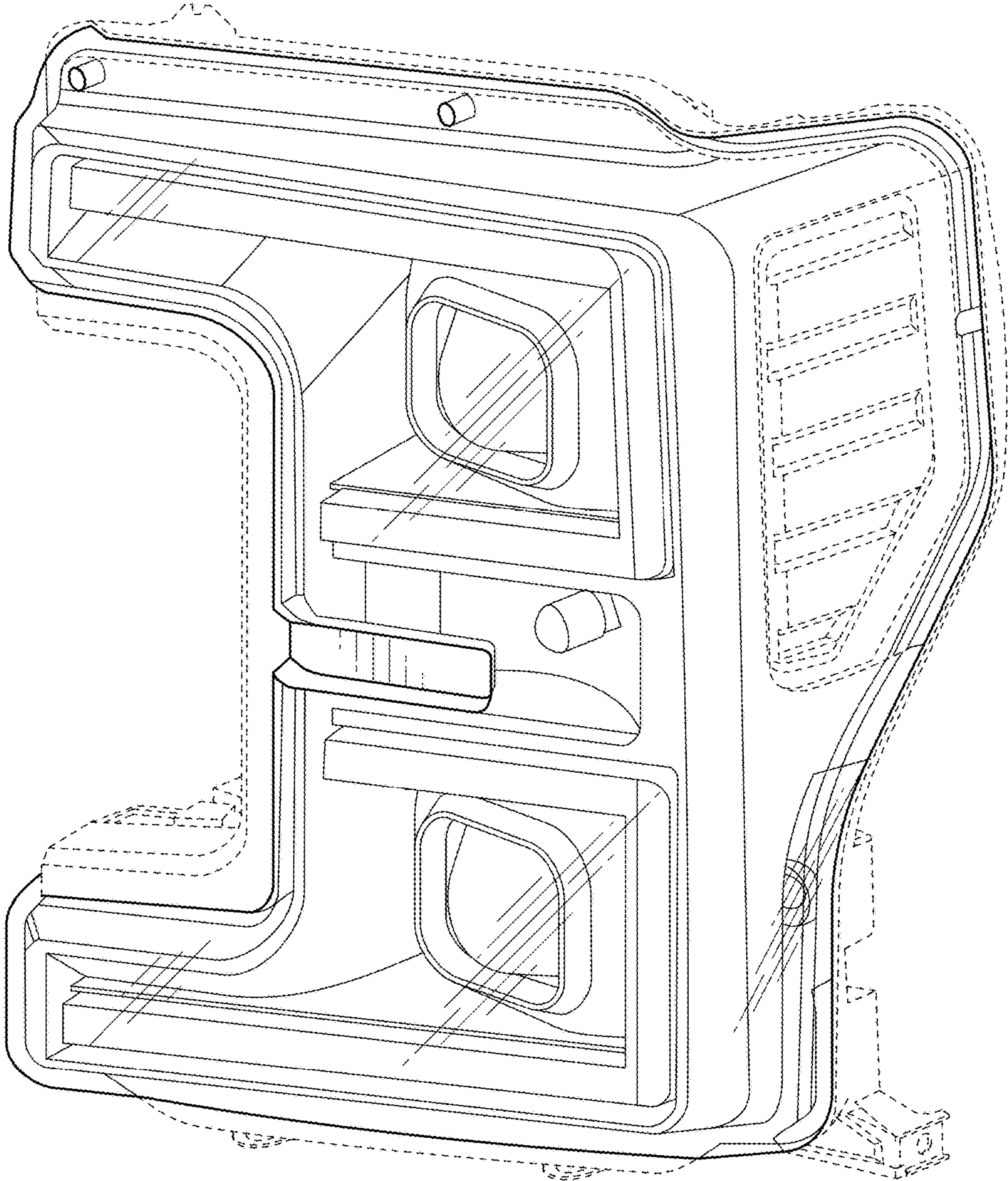


FIG. 1

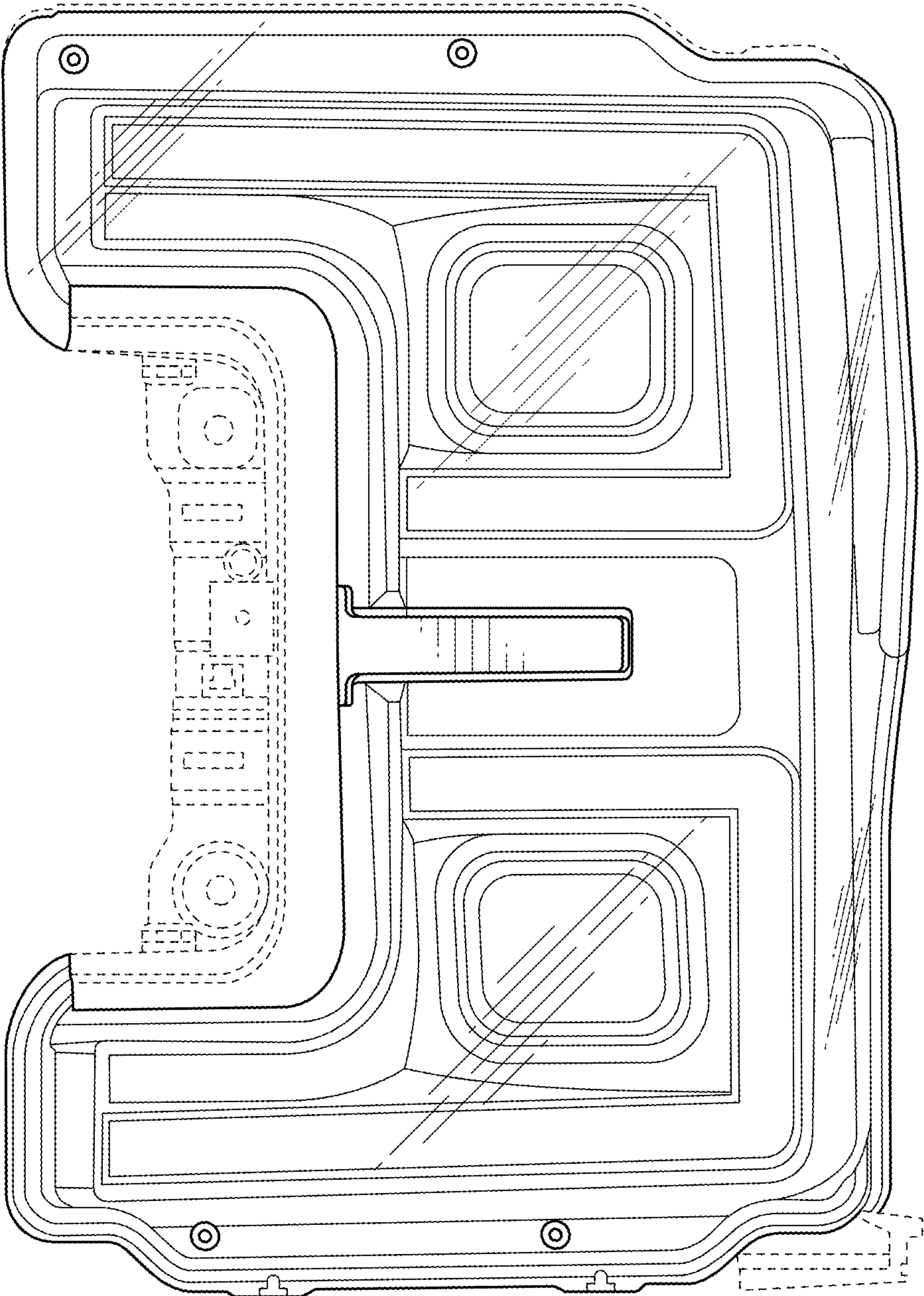


FIG. 2

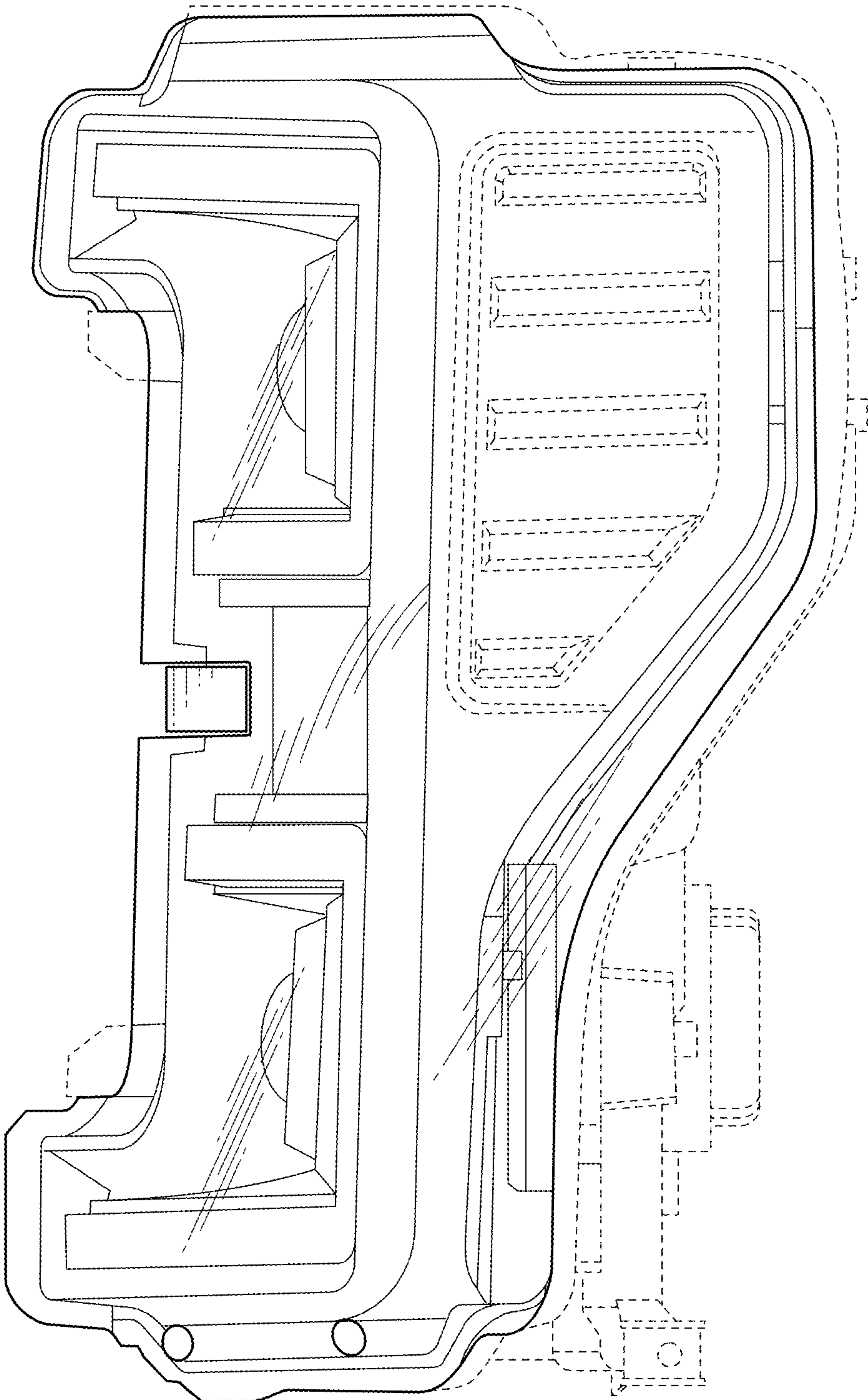


FIG. 3

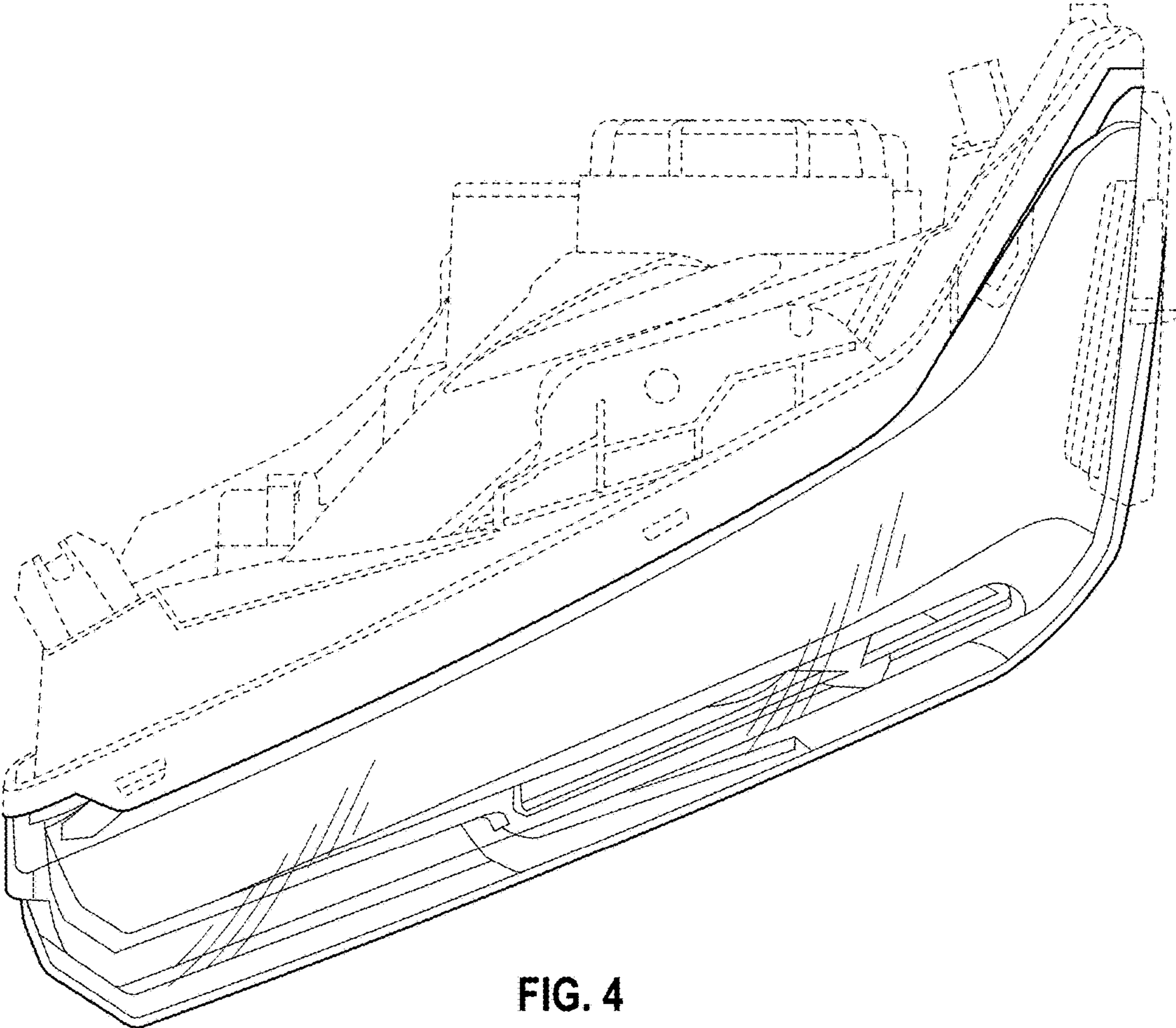


FIG. 4

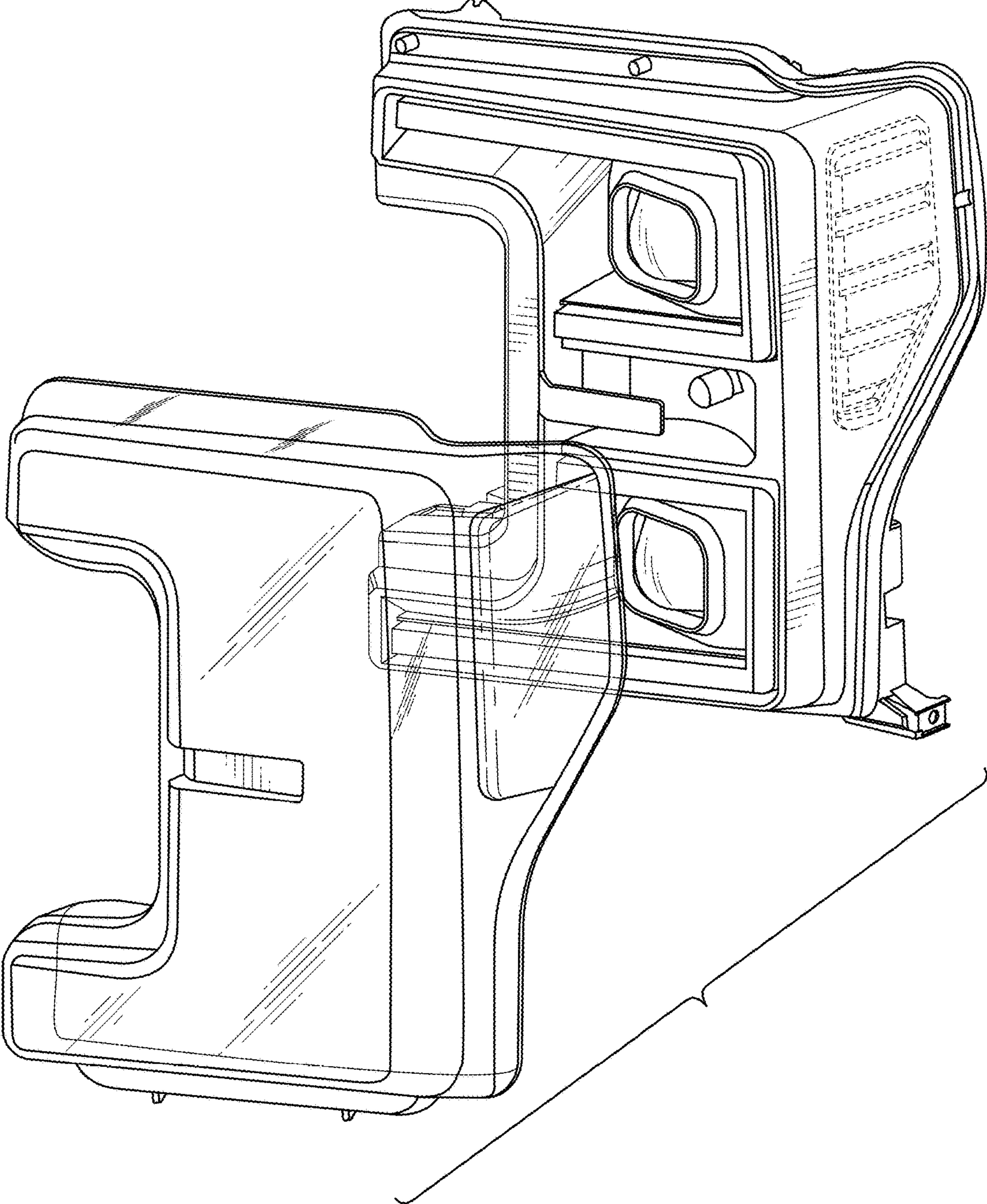


FIG. 5