



US00D849284S

(12) **United States Design Patent** (10) **Patent No.:** **US D849,284 S**
Lin (45) **Date of Patent:** **** May 21, 2019**

(54) **AUTOMOBILE BACK LIGHT**

(71) Applicant: **Chi-Chung Lin**, Tainan (TW)

(72) Inventor: **Chi-Chung Lin**, Tainan (TW)

(**) Term: **15 Years**

(21) Appl. No.: **29/613,557**

(22) Filed: **Aug. 11, 2017**

(51) **LOC (11) Cl.** **26-06**

(52) **U.S. Cl.**
 USPC **D26/28**

(58) **Field of Classification Search**
 USPC D12/86, 90-92, 114, 163, 169, 171-173,
 D12/181, 190, 196, 197, 199, 400;
 D17/1, 222; D26/28-36
 CPC .. B62J 6/02; B62J 6/00; B60Q 3/0279; B60Q
 3/104; B60Q 3/10408; B60Q 3/10466;
 B60Q 3/12653; B60Q 3/128; F21S 48/00;
 F21S 48/10; F21S 48/115; F21S 48/225;
 F21S 48/1233; F21S 48/1266; F21S
 48/1388; F21S 48/2268; F21V 21/04
 See application file for complete search history.

D631,177 S * 1/2011 Yang D26/28
 D637,320 S * 5/2011 Yang D26/28
 D714,473 S * 9/2014 Mornet D26/28
 D768,895 S 10/2016 Platto
 D775,384 S * 12/2016 Lin D26/28
 D775,385 S * 12/2016 Lin D26/28
 D812,276 S * 3/2018 Lin D26/28
 D835,312 S * 12/2018 Yang D26/28

* cited by examiner

Primary Examiner — Philip S Hyder
Assistant Examiner — Cary M Robinson
 (74) *Attorney, Agent, or Firm* — Alexander Chen, Esq.;
 Agnew International Patent & Trademark Law Firm

(57) **CLAIM**

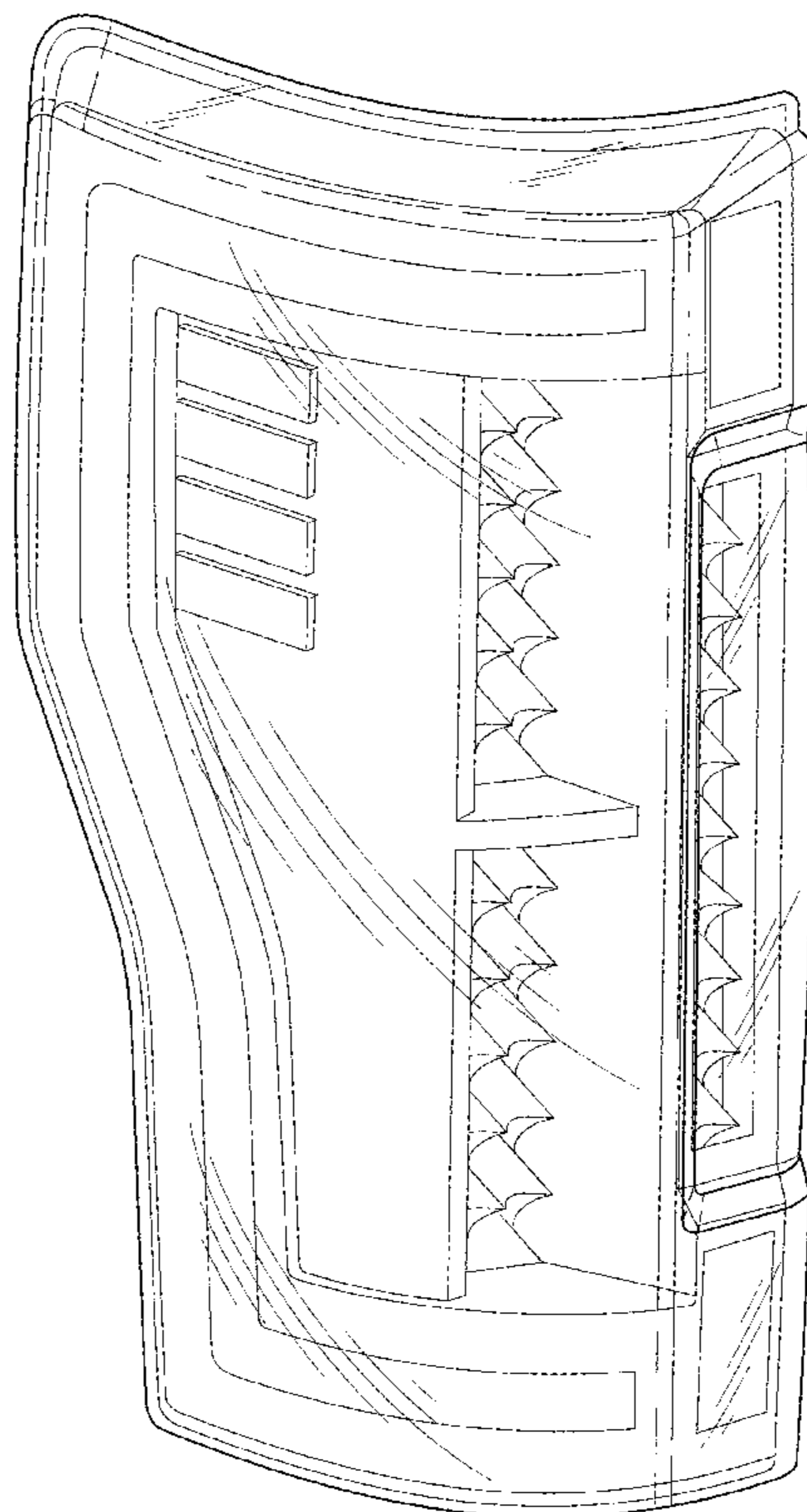
The ornamental design for an automobile back light, as shown and described.

DESCRIPTION

FIG. 1 is a perspective view of an automobile back light;
 FIG. 2 is a left side view thereof;
 FIG. 3 is a front view thereof;
 FIG. 4 is a top side view thereof;
 FIG. 5 is a bottom side view thereof; and,
 FIG. 6 is a perspective and exploded view thereof.
 The broken lines are included to show environmental structure and form no part of the claimed design. The drawings and descriptions represent the left side embodiment. The claim is also for a mirror image right side embodiment.

1 Claim, 6 Drawing Sheets

(56) **References Cited**
 U.S. PATENT DOCUMENTS
 D518,198 S * 3/2006 Chuang D26/28
 D592,336 S * 5/2009 Hsu D26/28
 D625,033 S * 10/2010 Hara D26/28



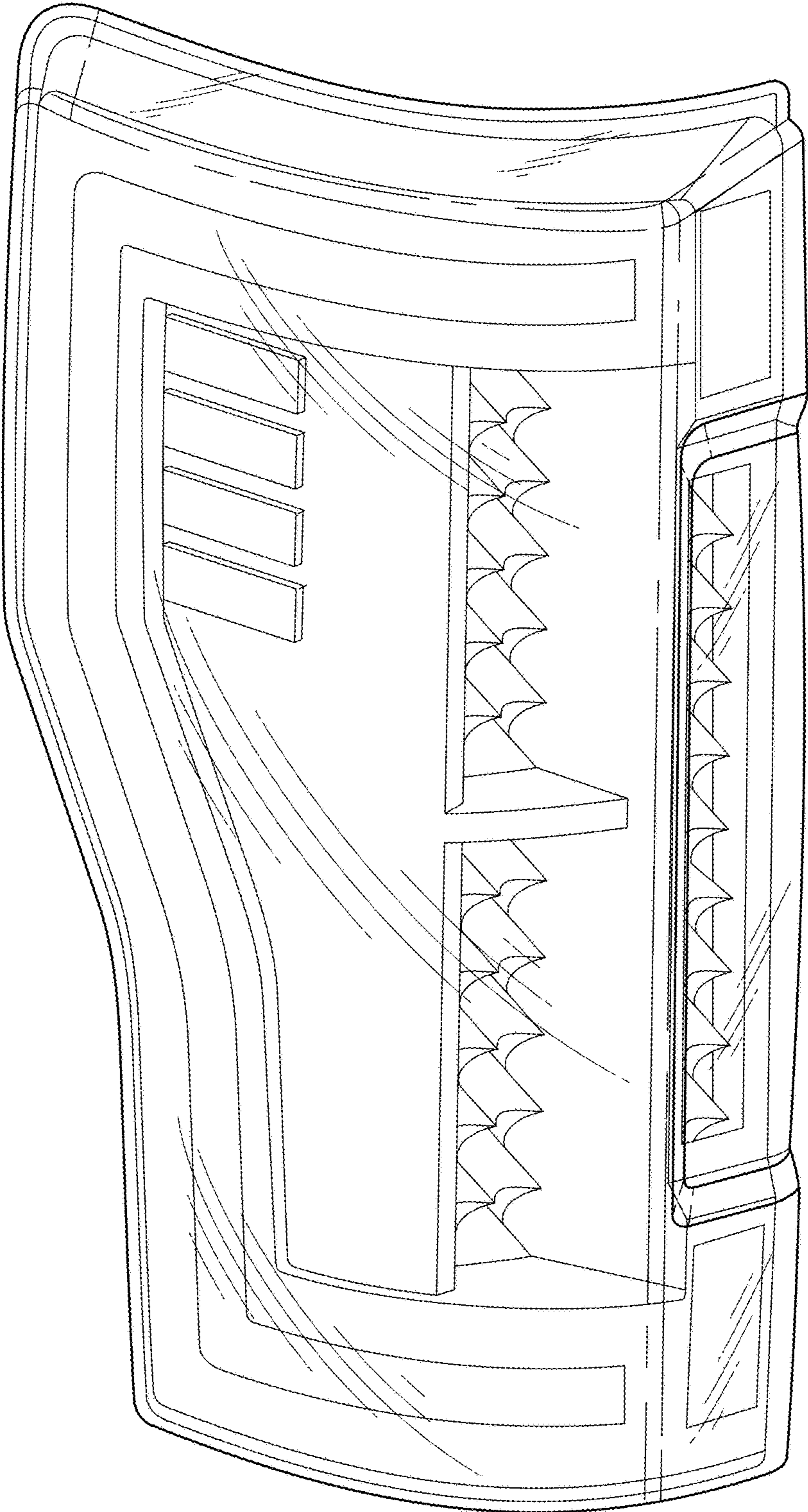


FIG. 1

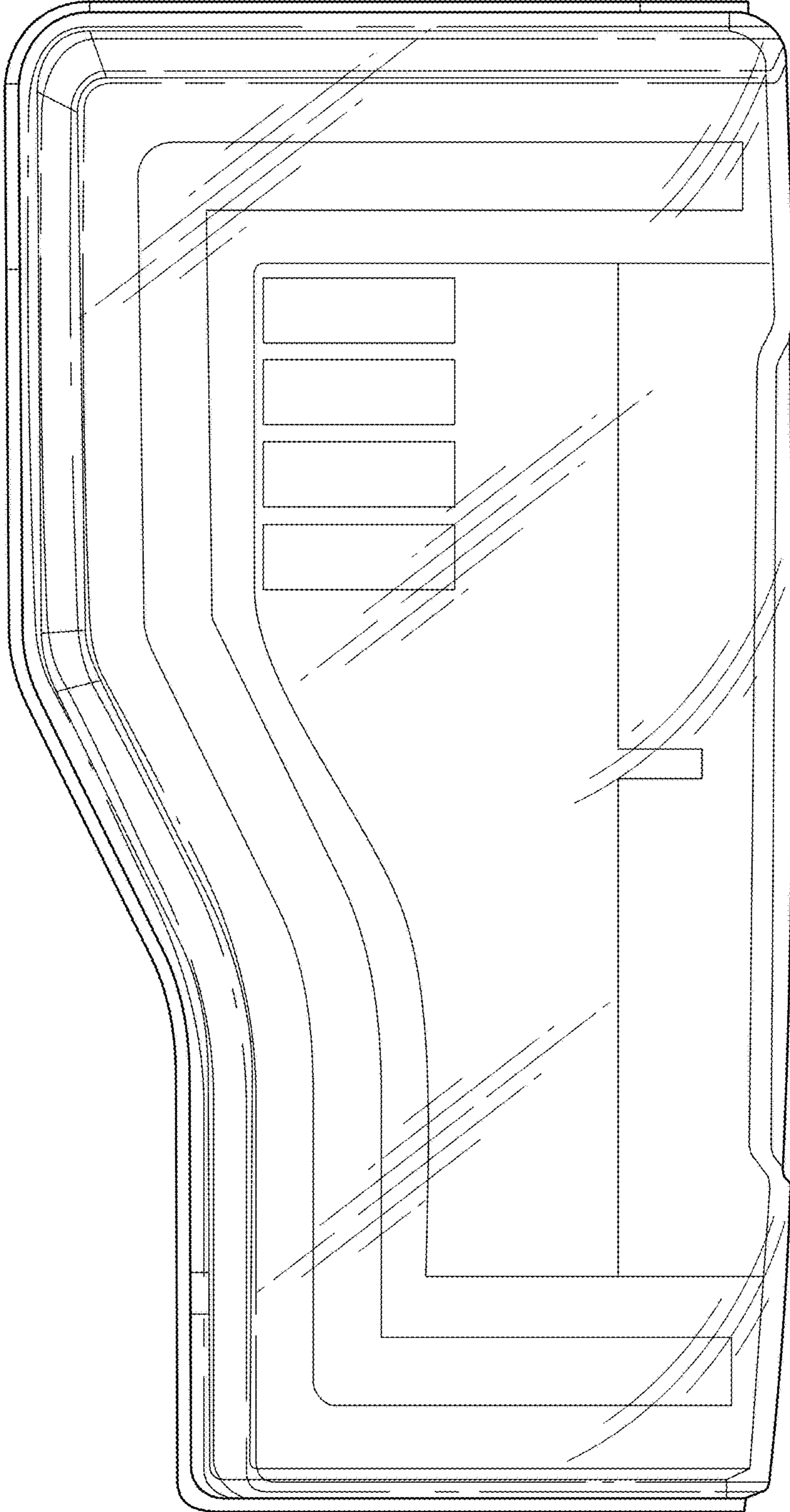


FIG. 2

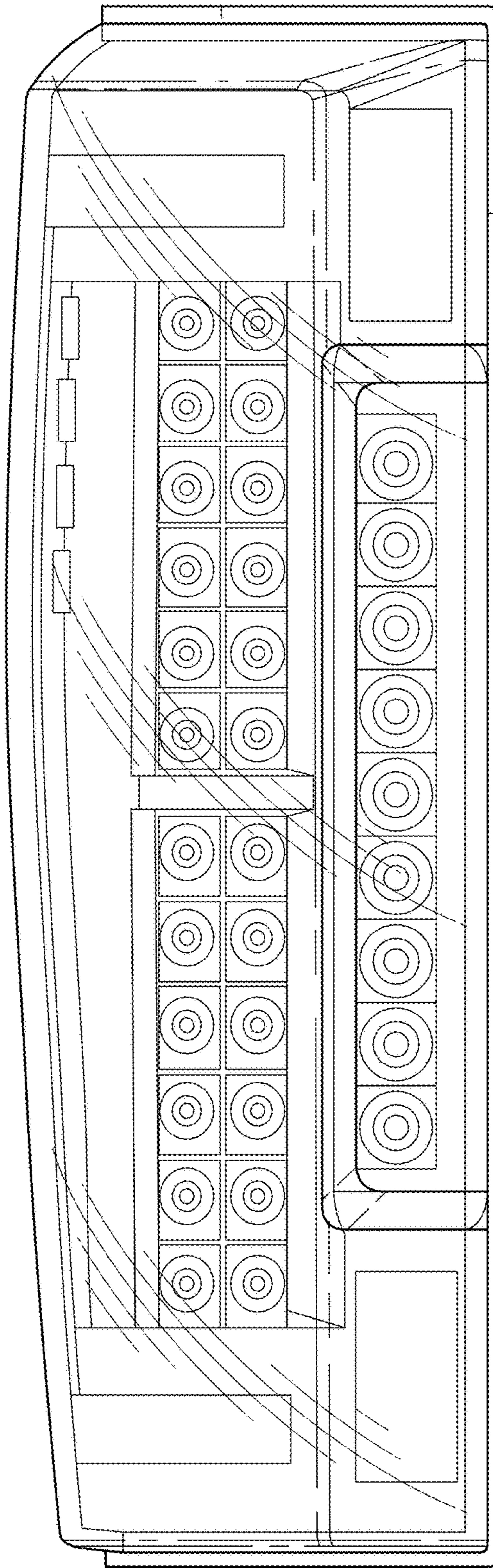


FIG. 3

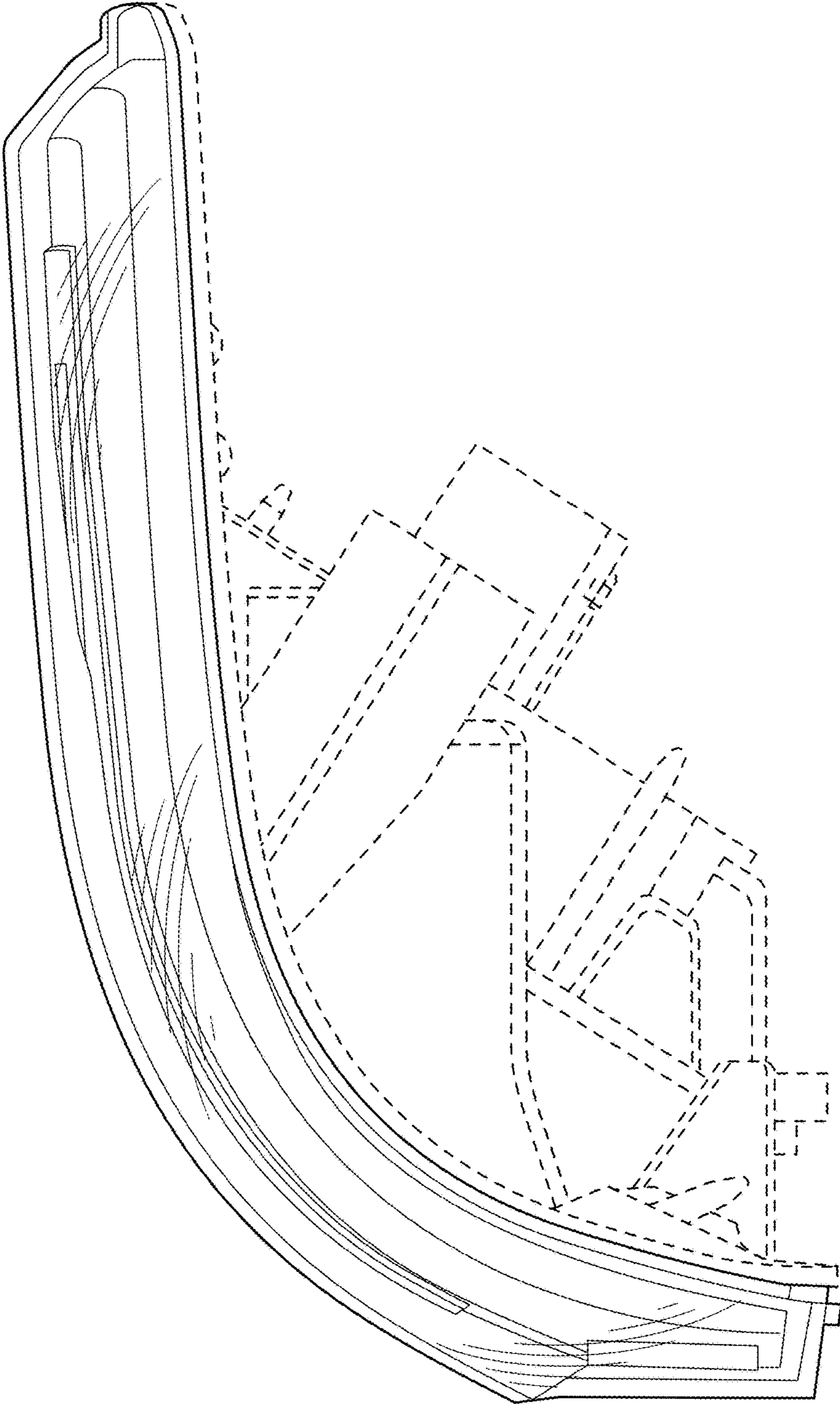


FIG. 4

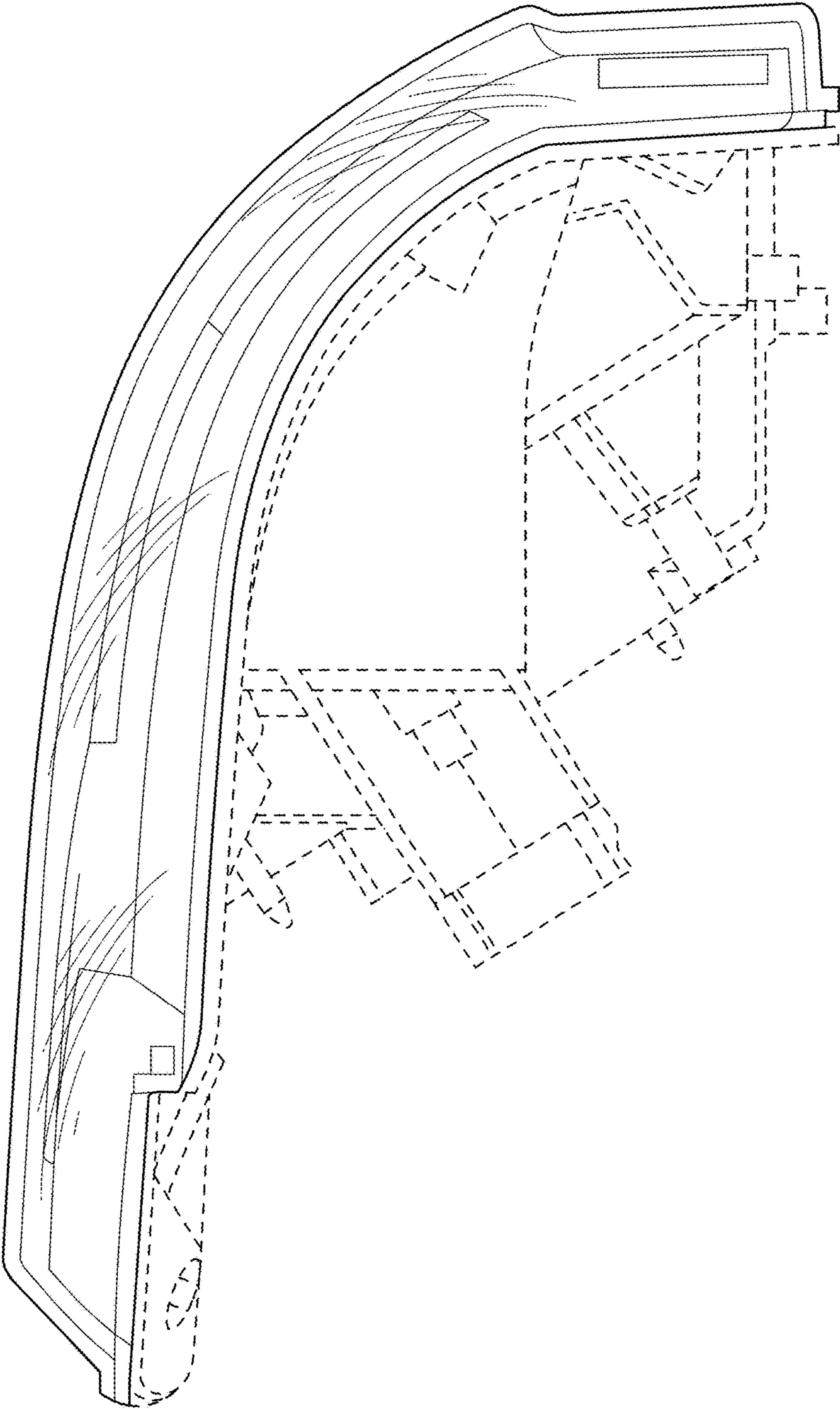


FIG. 5

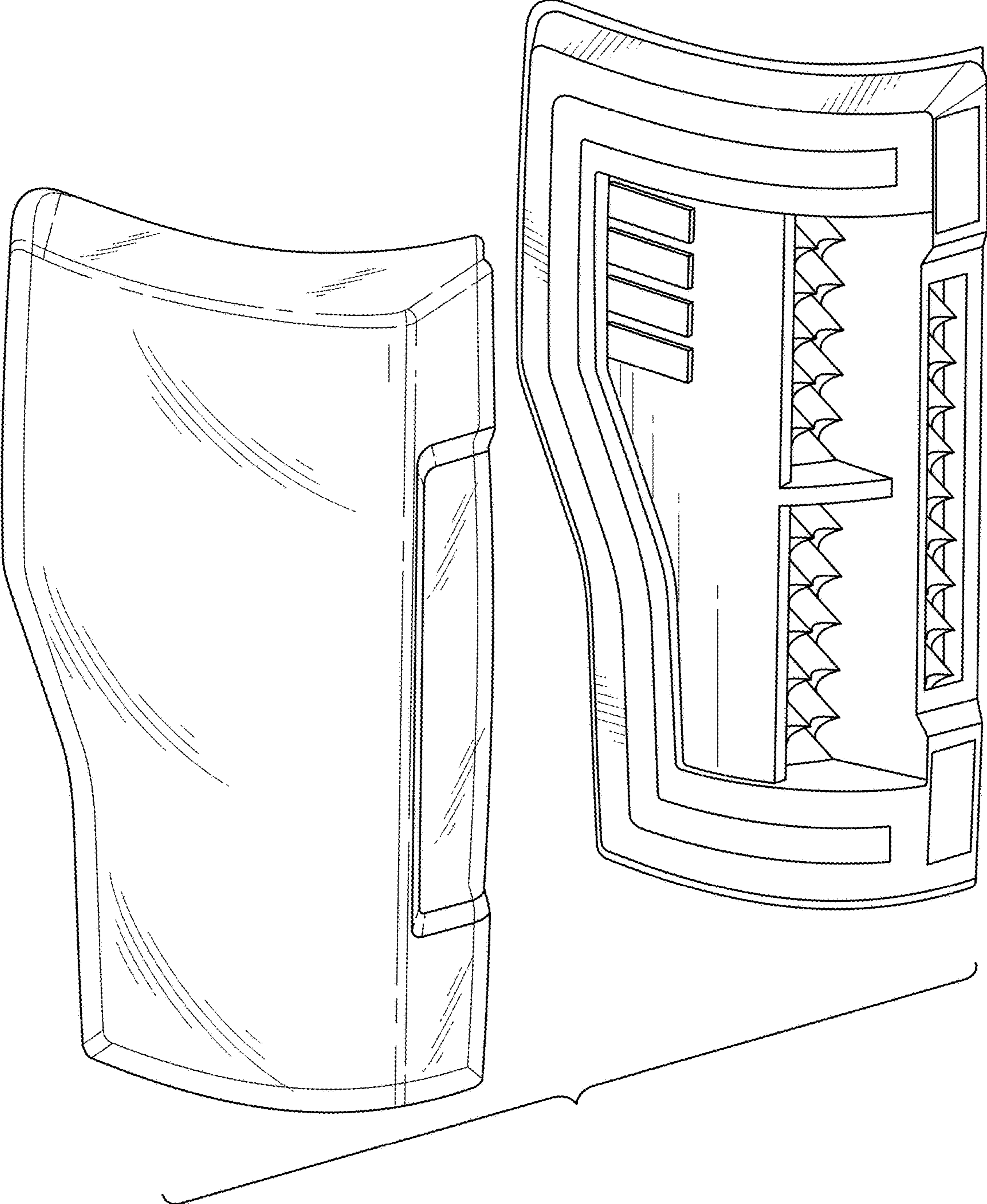


FIG. 6