



US00D849282S

(12) **United States Design Patent** (10) **Patent No.:** **US D849,282 S**
Kim (45) **Date of Patent:** **** May 21, 2019**

(54) **LED COMPACT EMERGENCY LIGHT**

(71) Applicant: **Sun Kyoung Kim**, Seoul (KR)

(72) Inventor: **Sun Kyoung Kim**, Seoul (KR)

(**) Term: **15 Years**

(21) Appl. No.: **29/633,958**

(22) Filed: **Jan. 17, 2018**

Related U.S. Application Data

(63) Continuation-in-part of application No. 29/633,955, filed on Jan. 17, 2018.

(51) **LOC (11) Cl.** **26-03**

(52) **U.S. Cl.**
USPC **D26/24**

(58) **Field of Classification Search**
USPC ... D26/1, 24, 37, 44, 61, 63, 72, 74, 80, 81,
D26/88, 93, 118, 119, 135, 138;
D10/111, 114.2, 114.5, 114.6; 362/363,
362/542, 546

CPC .. F21S 9/00; F21S 9/022; F21V 15/00; F21V
15/01; F21V 15/012; F21V 15/013; F21V
3/00; F21V 3/02; F21V 7/04; F21V
7/041; F21V 25/00; F21V 25/04; F21V
25/12; F21V 29/00; F21V 29/506; F21V
29/507; F21Y 2115/10

See application file for complete search history.

(56) **References Cited**

U.S. PATENT DOCUMENTS

D264,253 S * 5/1982 Goldschmidt D26/63
D282,010 S * 12/1985 Ferenc D26/28
D400,995 S * 11/1998 LaRosa D26/63
D419,097 S * 1/2000 Pickard D10/114.2
6,142,649 A * 11/2000 Beghelli F21S 9/022
362/259
D443,377 S * 6/2001 Handsaker D26/72

D473,672 S * 4/2003 Lay D26/80
D474,294 S * 5/2003 Smith D26/37
D483,511 S * 12/2003 Lay D26/80
D484,997 S * 1/2004 Trygg D26/39
D507,373 S * 7/2005 Kim D10/111
D532,918 S * 11/2006 Lay D26/80
7,220,014 B2 * 5/2007 Lay F21S 9/022
307/326
D552,292 S * 10/2007 Martineau D10/111
D559,424 S * 1/2008 Martineau D26/85
D586,028 S * 2/2009 Condon D26/72
D658,799 S * 5/2012 Levine D26/63
D693,505 S * 11/2013 Levine D26/63
D698,482 S * 1/2014 Chen D26/142
D720,090 S * 12/2014 Toomey D26/24
D726,347 S * 4/2015 Soong D26/1
D734,522 S * 7/2015 Coulbeaut D26/63

(Continued)

Primary Examiner — Wan Laymon
Assistant Examiner — Clint A Samuel

(57) **CLAIM**

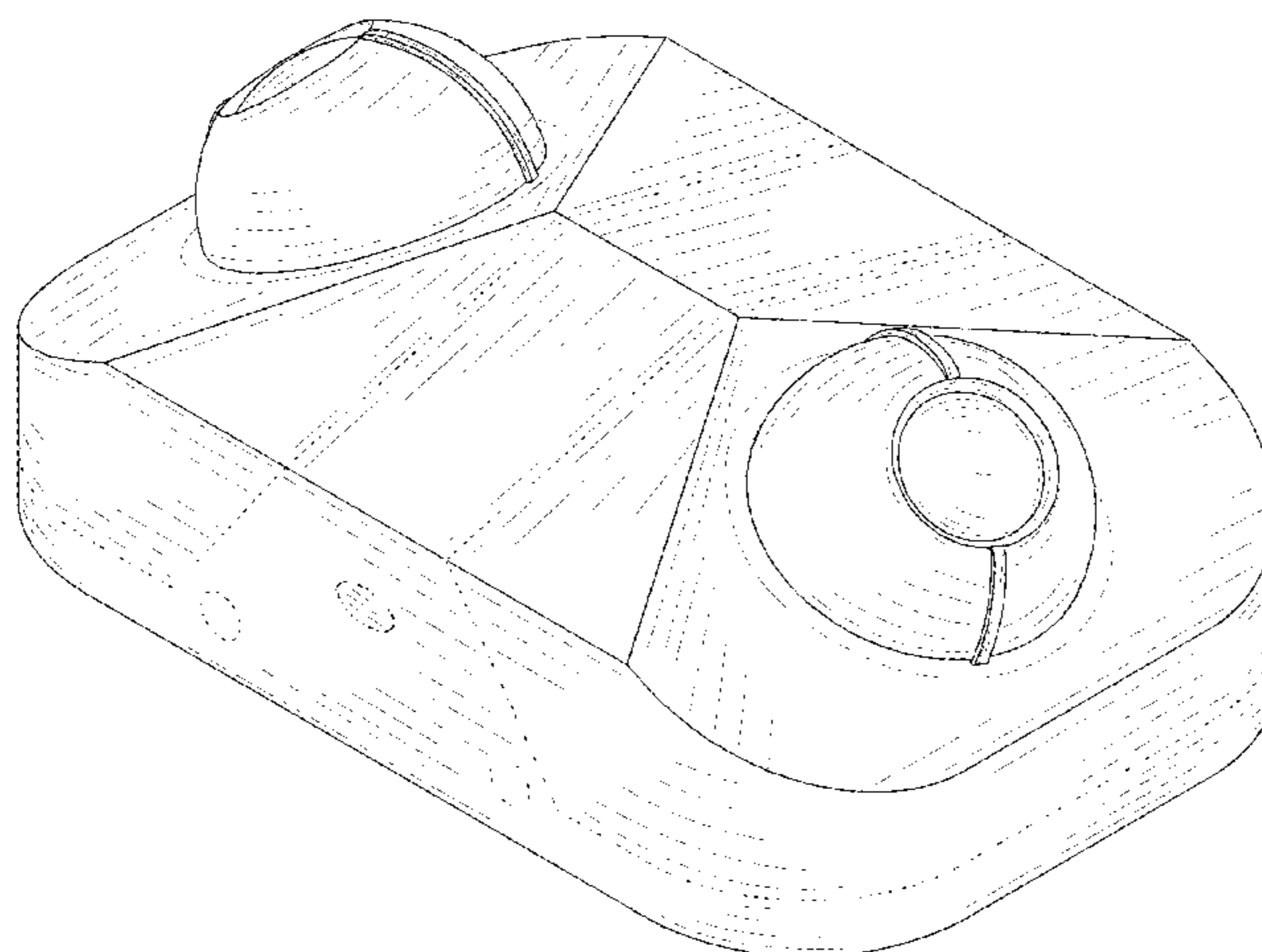
The ornamental design for an LED compact emergency light, as shown and described.

DESCRIPTION

FIG. 1 is a top right perspective view of a LED compact emergency light showing my new design;
FIG. 2 is a top left perspective view thereof;
FIG. 3 is a bottom right perspective view thereof;
FIG. 4 is a front view thereof;
FIG. 5 is a back view thereof;
FIG. 6 is a top view thereof;
FIG. 7 is a bottom view thereof;
FIG. 8 is a left view thereof; and,
FIG. 9 is a right view thereof.

The broken line showing in the drawings is included for the purpose of illustrating unclaimed portions of the LED compact emergency light and forms no part of the claimed design.

1 Claim, 9 Drawing Sheets



(56)

References Cited

U.S. PATENT DOCUMENTS

D742,053 S * 10/2015 Sussman D26/63
D756,556 S * 5/2016 Bryant D26/138
D756,557 S * 5/2016 Bryant D26/138
D762,321 S * 7/2016 Fletcher D26/74
D779,984 S * 2/2017 Deyaf D10/114.2
D794,243 S * 8/2017 Bryant D26/138
D797,963 S * 9/2017 Johnson D26/24
9,752,739 B2 * 9/2017 Holscher F21S 9/022
D804,078 S * 11/2017 Reynolds D26/78
D804,707 S * 12/2017 Reynolds D26/118
D807,538 S * 1/2018 Guercio D26/24
D819,475 S * 6/2018 Kim D10/114.1
D825,792 S * 8/2018 Johnson D26/24
D832,485 S * 10/2018 Lopez D26/72
2013/0050996 A1 * 2/2013 Holscher F21S 9/022
362/184
2016/0309570 A1 * 10/2016 Han H05B 33/0815
2018/0292057 A1 * 10/2018 Brunelli F21V 15/01

* cited by examiner

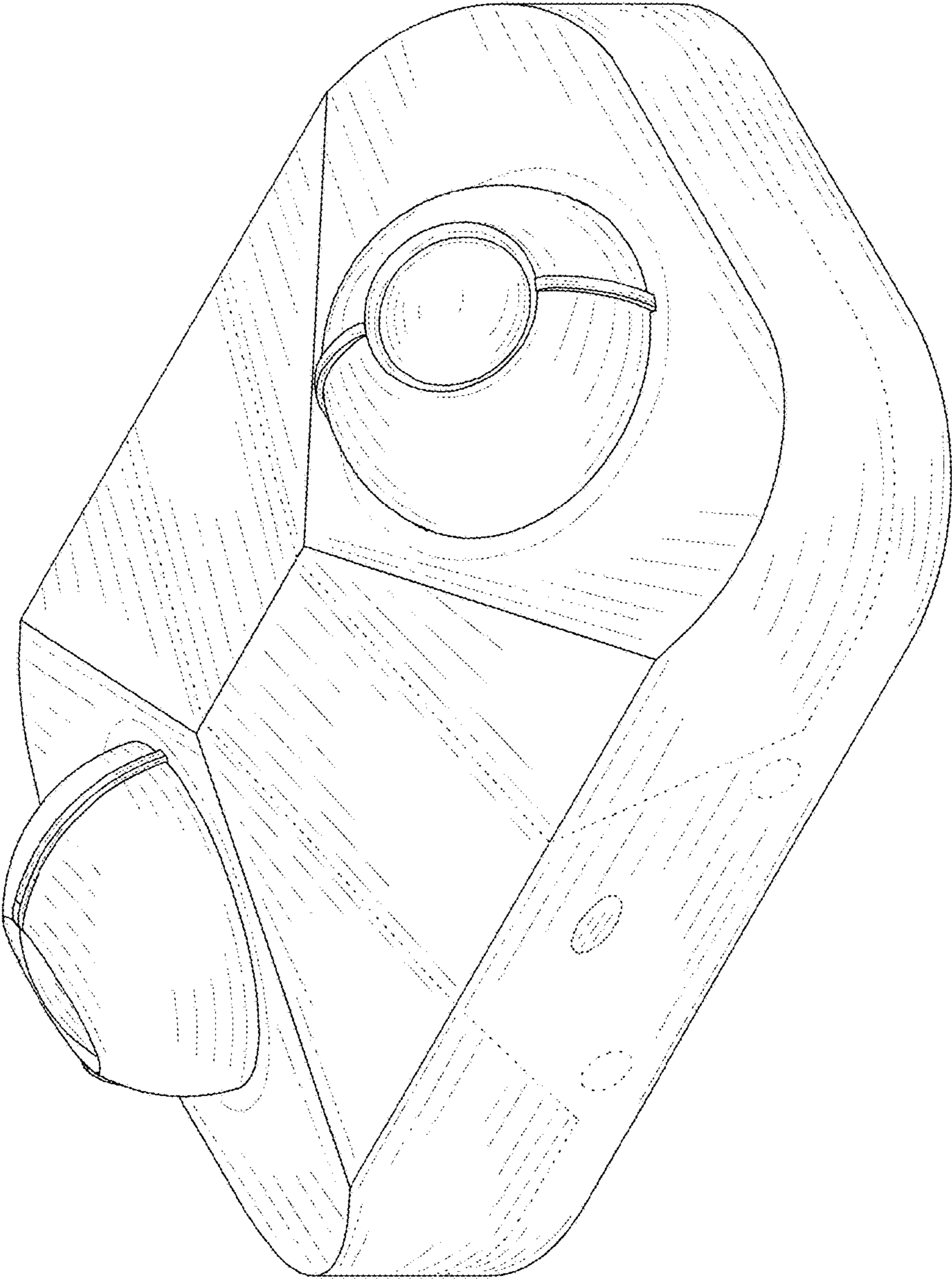


FIG. 1

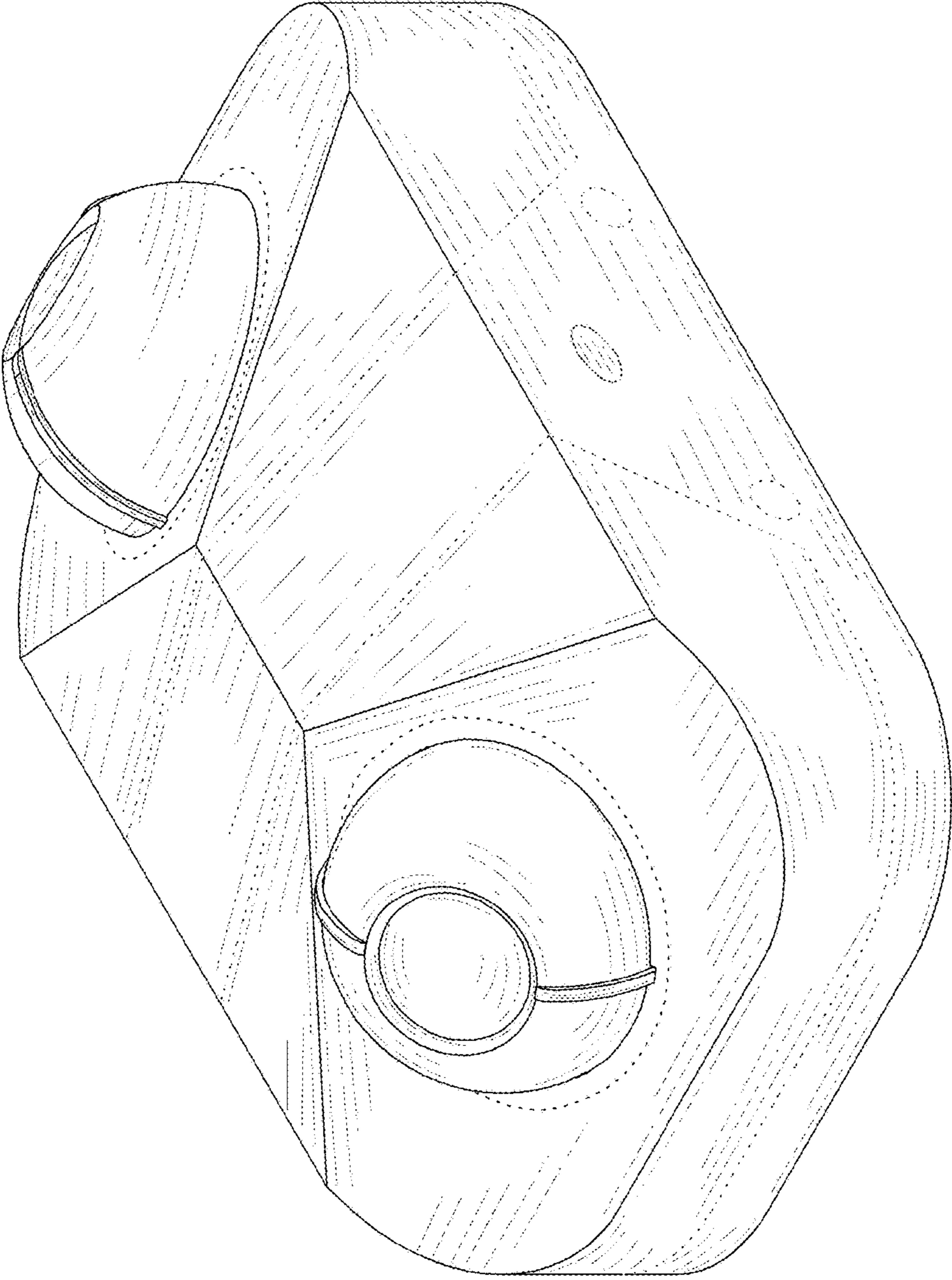


FIG. 2

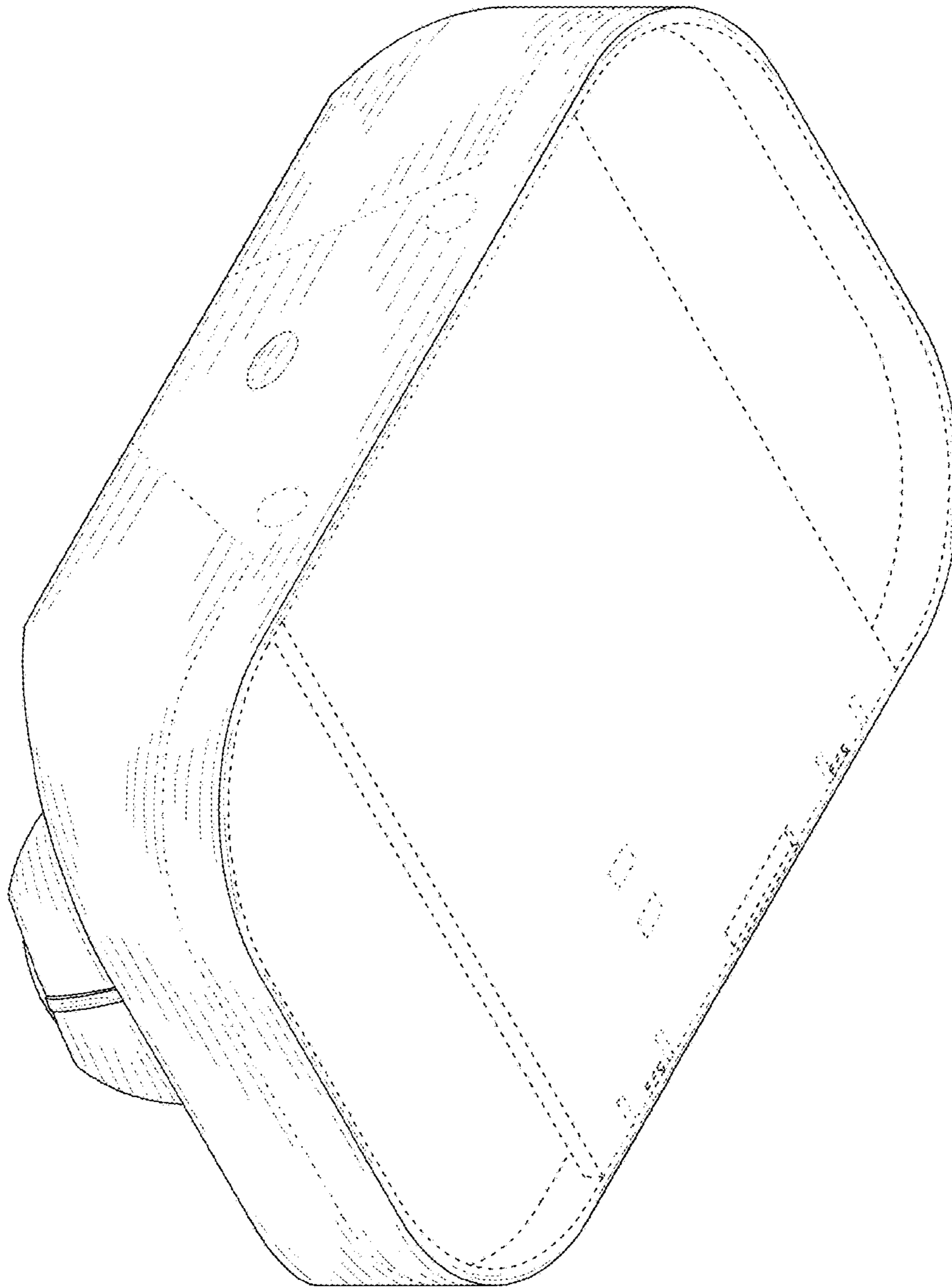


FIG. 3

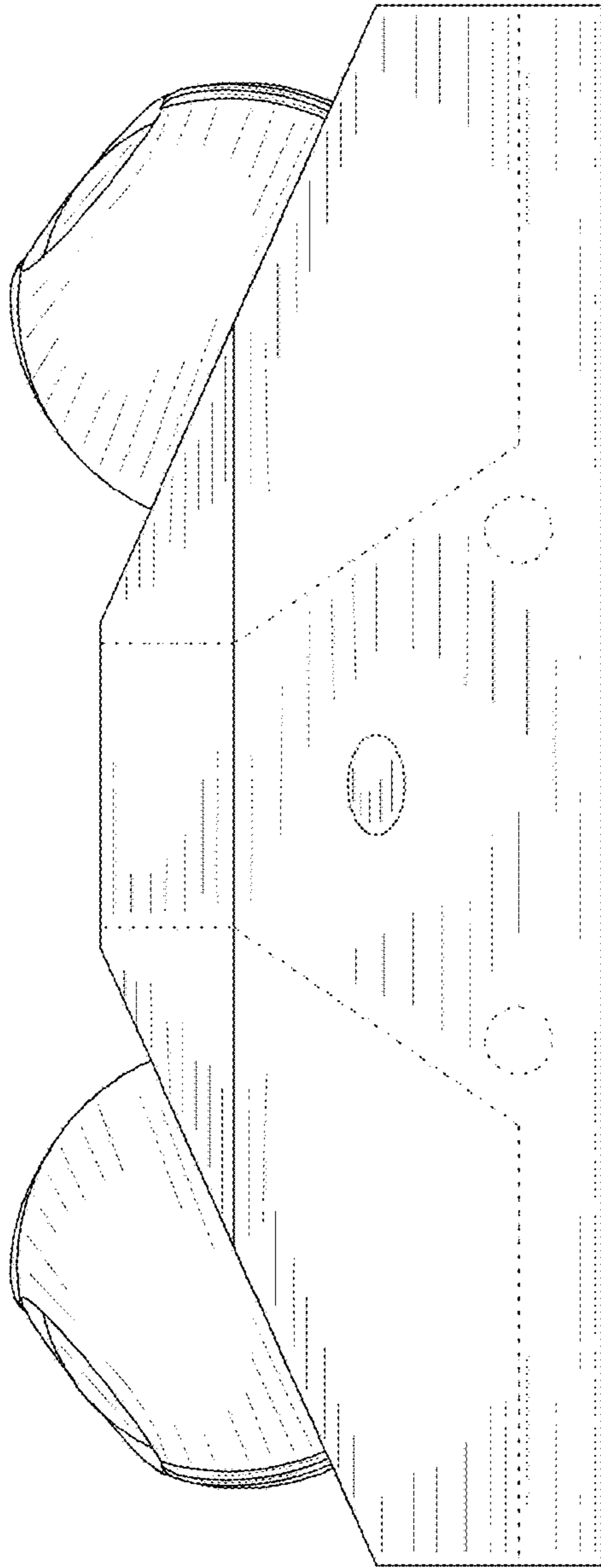


FIG. 4

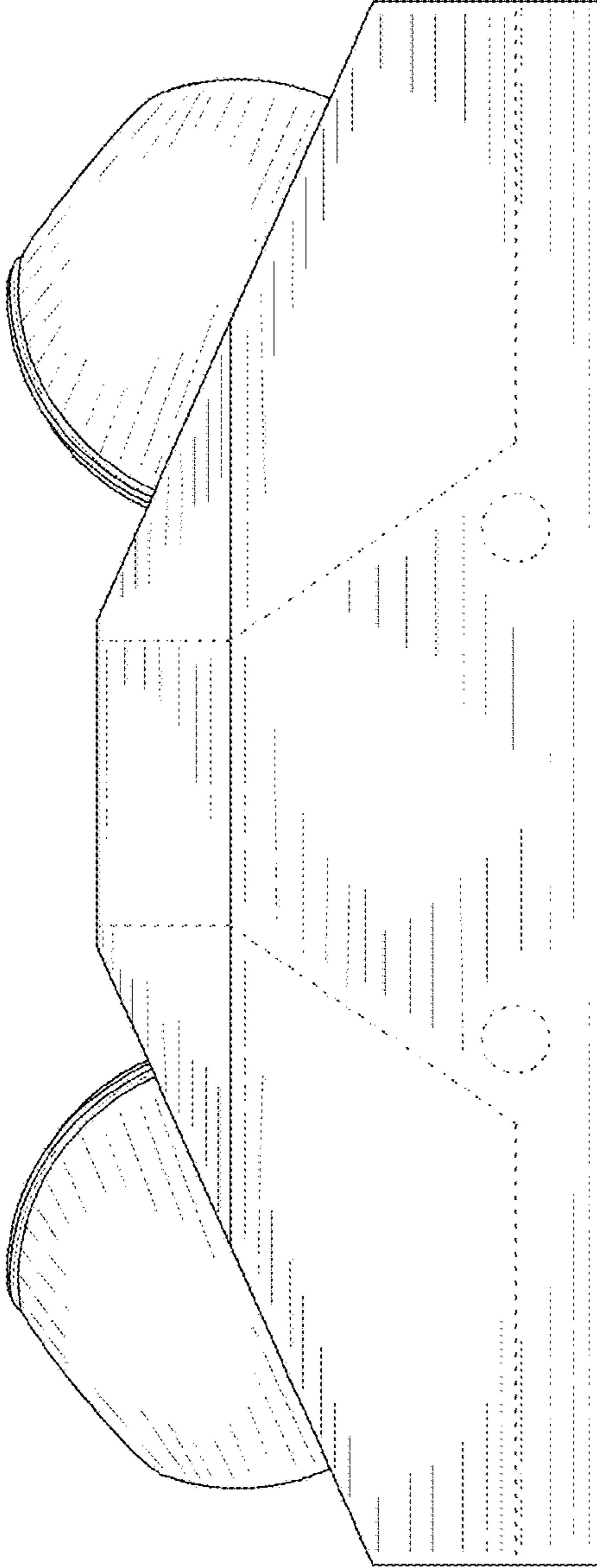


FIG. 5

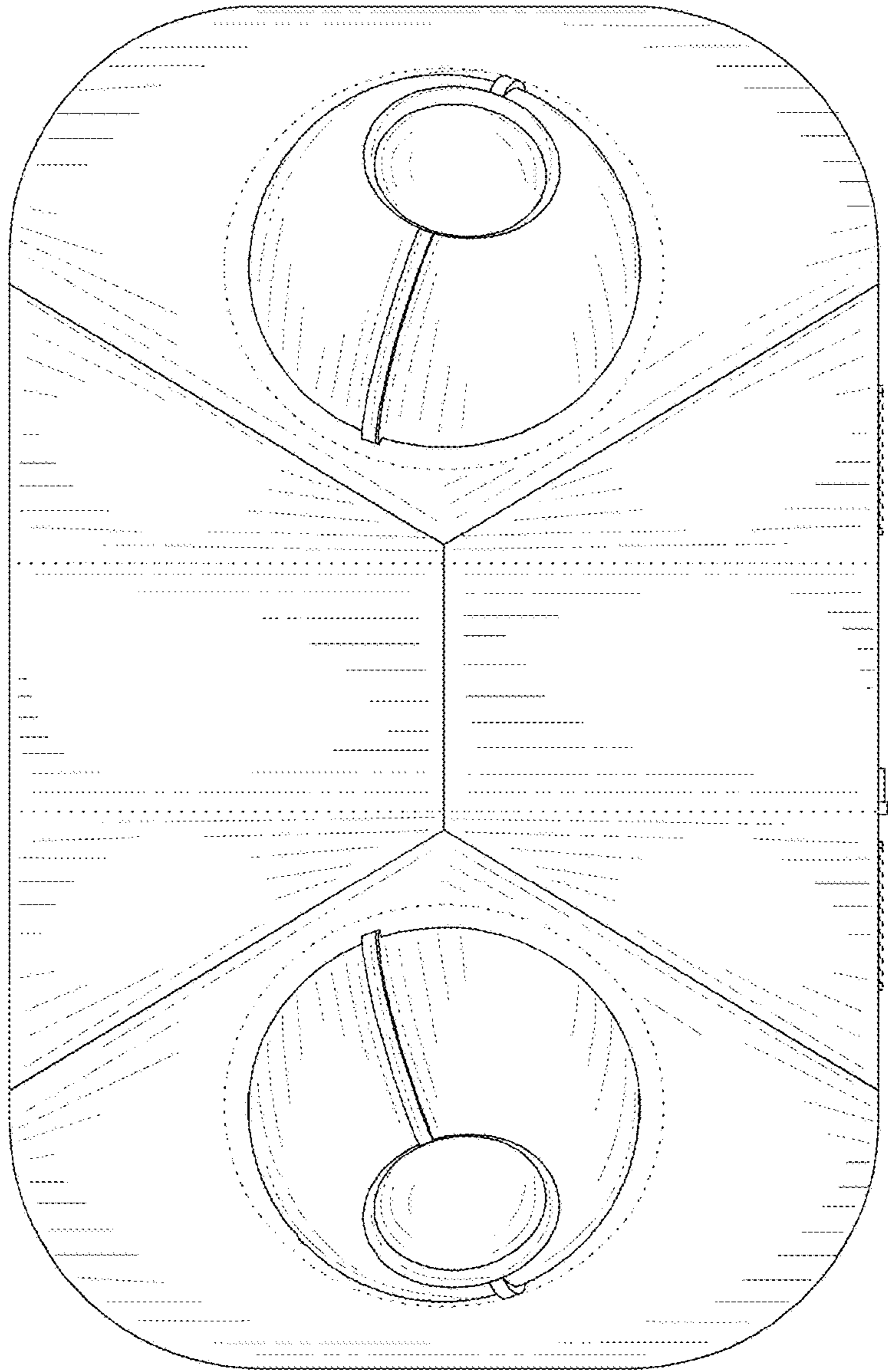


FIG. 6

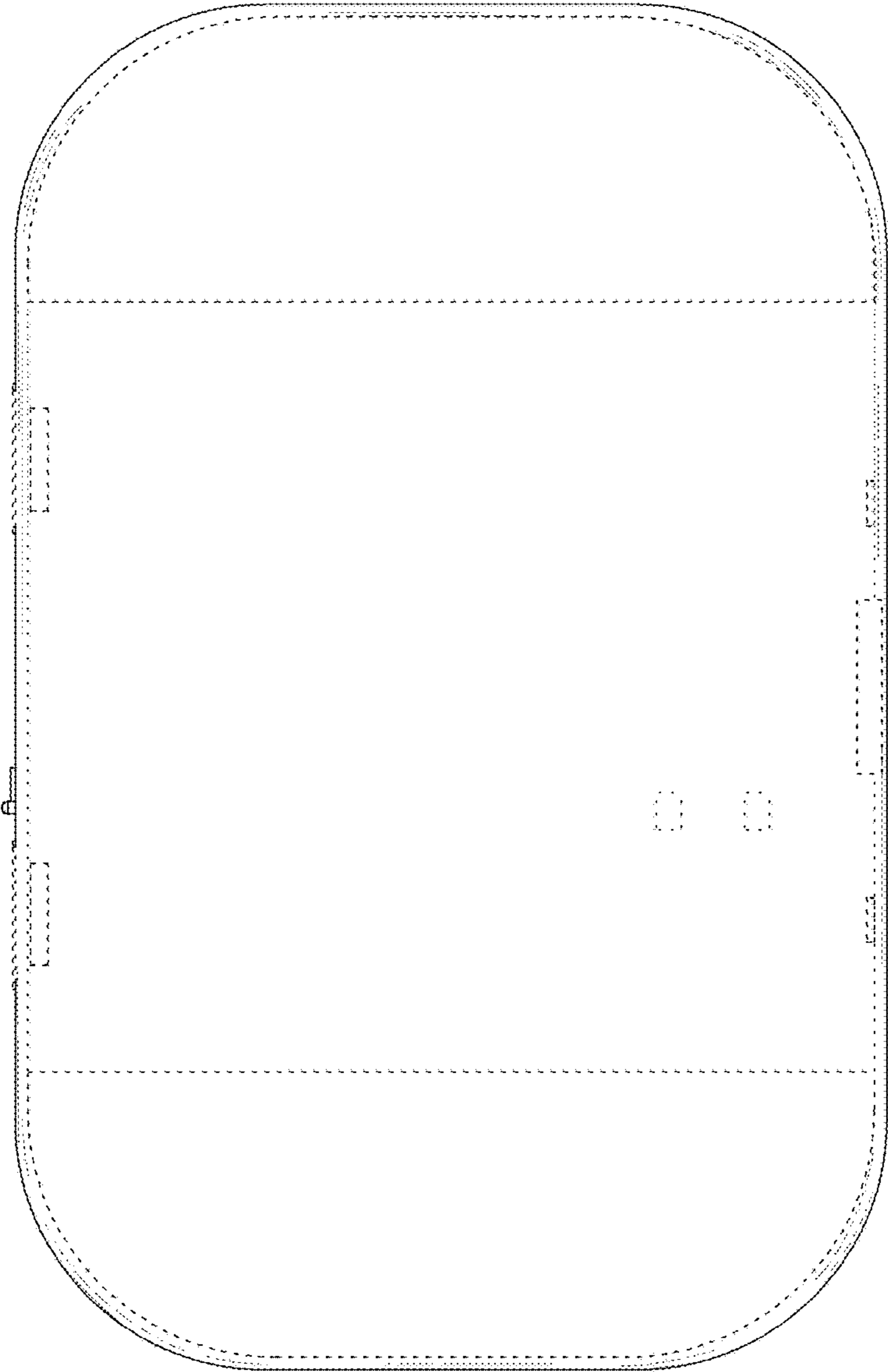


FIG. 7

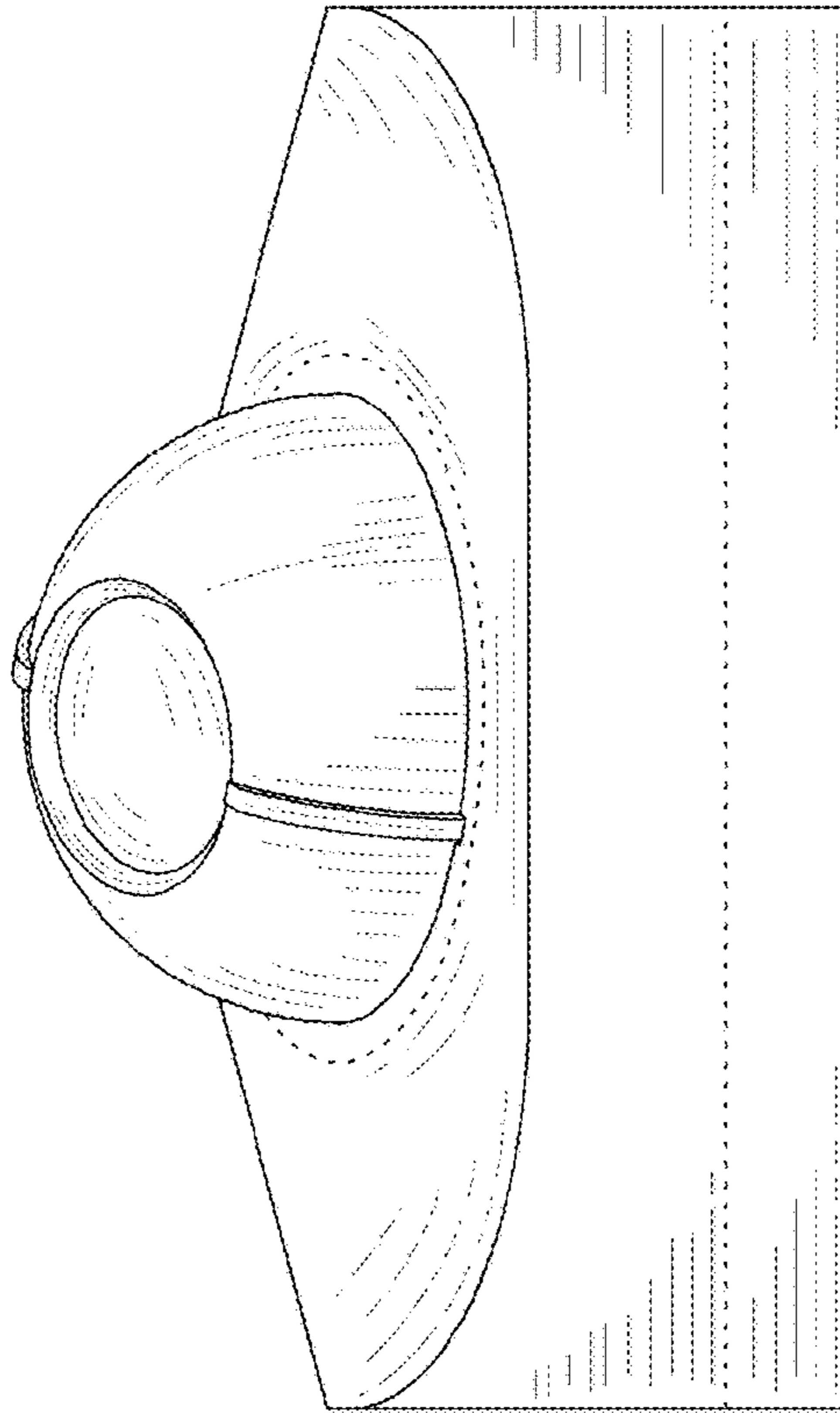


FIG. 8

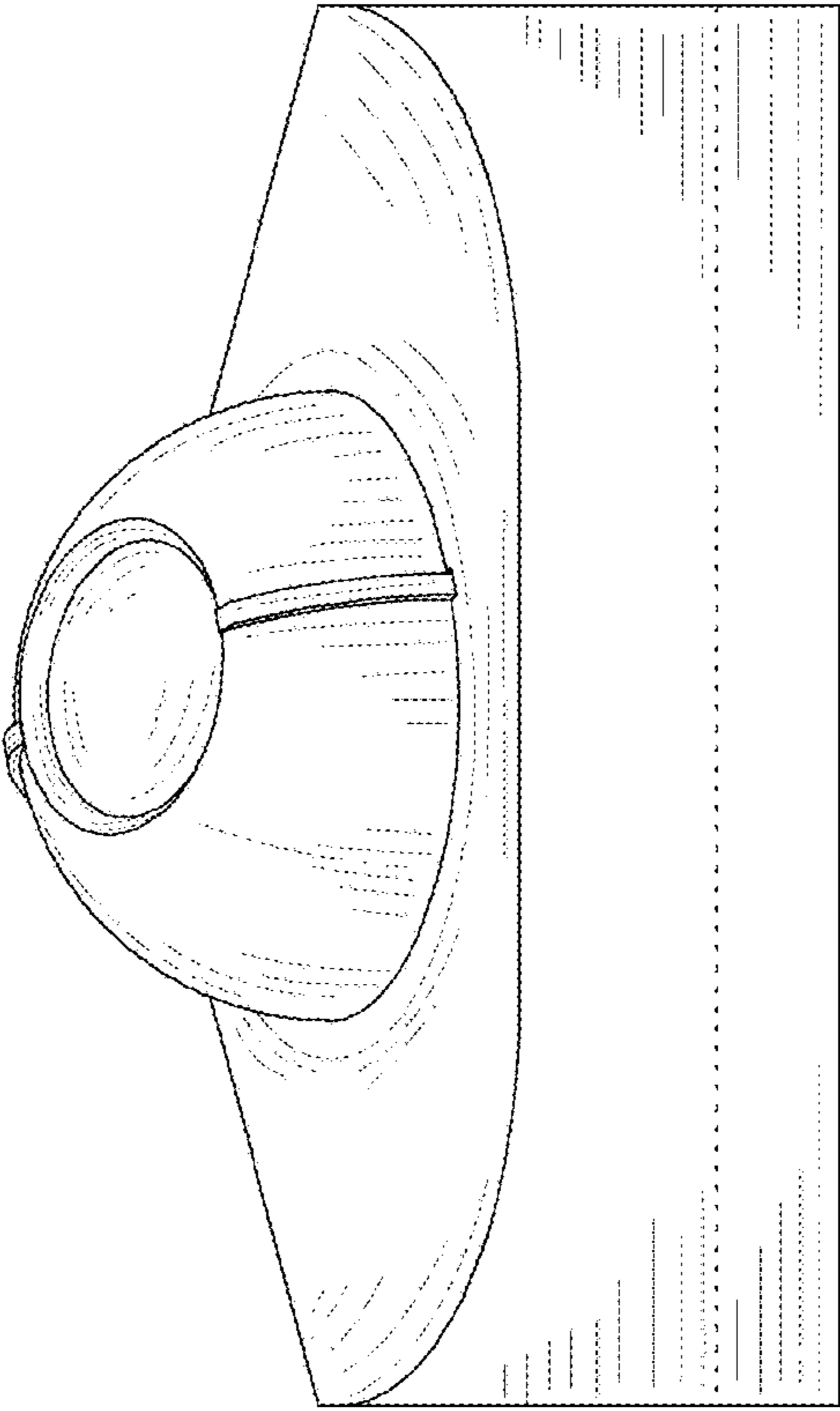


FIG. 9