



US00D849280S

(12) **United States Design Patent**
Grandadam

(10) **Patent No.:** **US D849,280 S**

(45) **Date of Patent:** **** May 21, 2019**

(54) **PORTABLE LIGHT BULB SYSTEM**

(71) Applicant: **Promier Products, Inc.**, Peru, IL (US)

(72) Inventor: **Cody Duane Grandadam**, Peru, IL (US)

(73) Assignee: **Promier Products, Inc.**, Peru, IL (US)

(**) Term: **15 Years**

(21) Appl. No.: **29/663,960**

(22) Filed: **Sep. 20, 2018**

Related U.S. Application Data

(63) Continuation of application No. 29/584,343, filed on Nov. 14, 2016, now Pat. No. Des. 830,585.

(51) **LOC (11) Cl.** **26-04**

(52) **U.S. Cl.**
USPC **D26/2**

(58) **Field of Classification Search**
USPC D26/1-4

(Continued)

(56) **References Cited**

U.S. PATENT DOCUMENTS

5,382,181 A 1/1995 Ortiz
5,383,381 A * 1/1995 Graham B23D 21/003
83/320

(Continued)

FOREIGN PATENT DOCUMENTS

CN 201884957 6/2011
CN 202118534 1/2012

(Continued)

OTHER PUBLICATIONS

International Search Report and Written Opinion dated Feb. 14, 2018 in corresponding PCT Application No. PCT/US17/61594 (9 pages).

(Continued)

Primary Examiner — Marcus A Jackson

(74) *Attorney, Agent, or Firm* — Barnes & Thornburg LLP

(57) **CLAIM**

I claim the ornamental design for a portable light bulb system, as shown and described.

DESCRIPTION

FIG. 1 is a top perspective view of a first embodiment of a portable light bulb system according to a new design.

FIG. 2 is a rear view of the portable light bulb system shown in FIG. 1.

FIG. 3 is a left side of the portable light bulb system shown in FIG. 1.

FIG. 4 is a front view of the portable light bulb system shown in FIG. 1.

FIG. 5 is a right side view of the portable light bulb system shown in FIG. 1.

FIG. 6 is a top view of the portable light bulb system shown in FIG. 1.

FIG. 7 is a bottom view of the portable light bulb system shown in FIG. 1.

FIG. 8 is a top perspective view of a second embodiment of a portable light bulb system according to a new design.

FIG. 9 is a rear view of the portable light bulb system shown in FIG. 8.

FIG. 10 is a left side view of the portable light bulb system shown in FIG. 8.

FIG. 11 is a front view of the portable light bulb system shown in FIG. 8.

FIG. 12 is a right side view of the portable light bulb system shown in FIG. 8.

FIG. 13 is a top view of the portable light bulb system shown in FIG. 8.

FIG. 14 is a bottom view of the portable light bulb system shown in FIG. 8.

FIG. 15 is a top perspective view of a third embodiment of a portable light bulb system according to a new design.

FIG. 16 is a rear view of the portable light bulb system shown in FIG. 15.

FIG. 17 is a left side view of the portable light bulb system shown in FIG. 15.

(Continued)

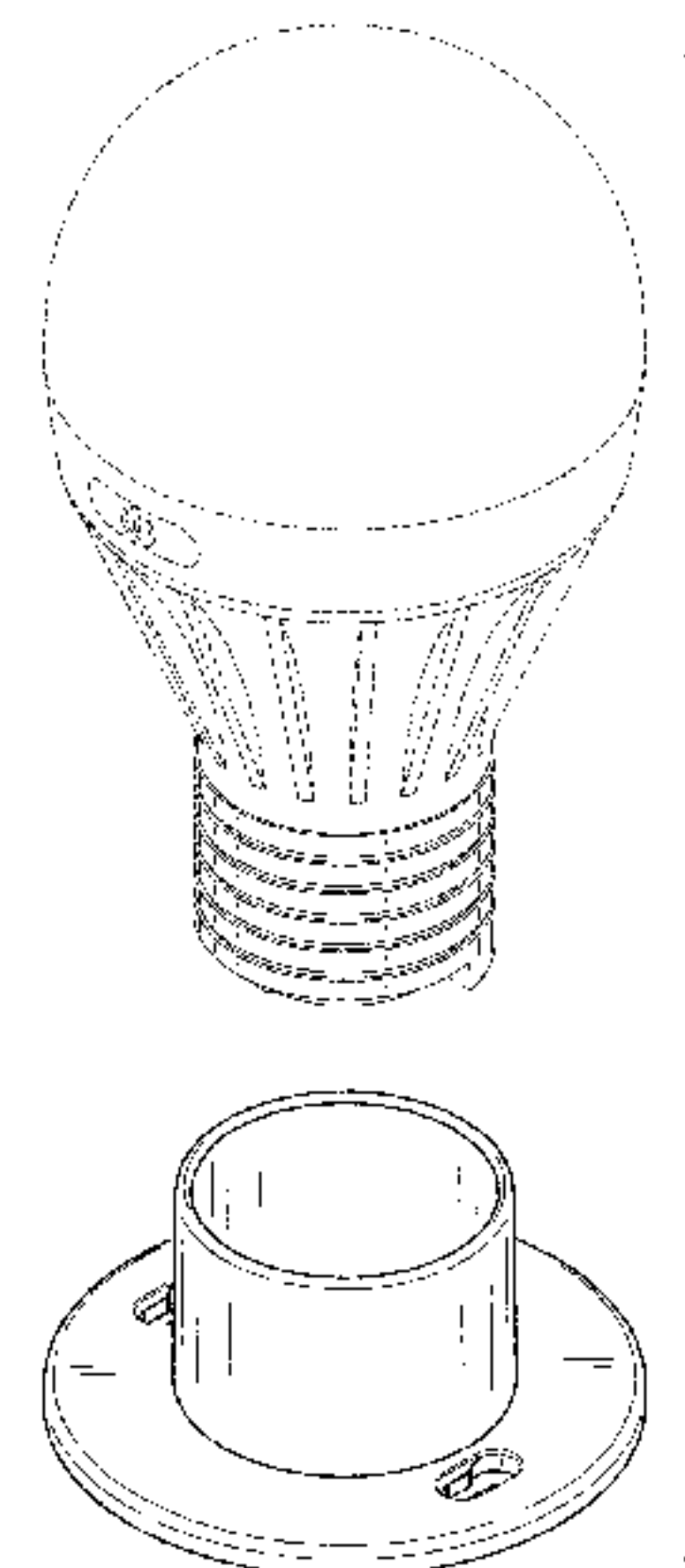


FIG. 18 is a front view of the portable light bulb system shown in FIG. 15.

FIG. 19 is a right side view of the portable light bulb system shown in FIG. 15.

FIG. 20 is a top view of the portable light bulb system shown in FIG. 15; and,

FIG. 21 is a bottom view of the portable light bulb system shown in FIG. 15.

Features shown in broken or dotted lines in the drawings are not part of the claim.

1 Claim, 18 Drawing Sheets

(58) Field of Classification Search

CPC H01R 5/00; H01R 13/46; H01R 13/514;
H01R 31/048; H01R 31/02; H01J 5/00;
H01J 5/16; H01J 15/00; H01J 5/48; H01J
5/50; H01J 19/54; F21V 5/00; F21V
9/13; F21V 17/06; F21V 19/001; F21V
19/0025; F21V 19/0015

See application file for complete search history.

(56) References Cited

U.S. PATENT DOCUMENTS

5,596,247	A *	1/1997	Martich	H05B 41/02 315/56
D531,741	S *	11/2006	Takahashi	D26/2
D548,369	S	8/2007	Bembridge	
D549,360	S	8/2007	An	
D553,267	S	10/2007	Yuen	
D583,989	S	12/2008	Khubani	
D602,614	S	10/2009	Takahashi et al.	
D629,535	S	12/2010	Lee	
8,084,963	B2	12/2011	Chandler et al.	
8,328,582	B1	12/2012	Carley et al.	
D691,292	S	10/2013	Qiu	
8,669,716	B2	3/2014	Recker et al.	
9,055,642	B2	6/2015	Maa et al.	
9,081,269	B2	7/2015	Conti	
9,541,262	B2	1/2017	Kohn et al.	
9,657,928	B1	5/2017	Jacobson	
9,909,720	B1	3/2018	Turudic	
9,918,371	B2	3/2018	Jacobson	
9,920,888	B1	3/2018	Springer	
2004/0120142	A1	6/2004	Galli	
2007/0211481	A1	9/2007	Cooper et al.	

2007/0291477	A1	12/2007	Khubani
2008/0273348	A1	11/2008	Klohn et al.
2010/0110670	A1	5/2010	Werth et al.
2010/0134047	A1	6/2010	Hasnain
2012/0057334	A1	3/2012	Robinson
2012/0182726	A1	7/2012	King
2013/0308306	A1	11/2013	Hootman et al.
2014/0070703	A1	3/2014	Chen et al.
2014/0265836	A1	9/2014	Nourbakhsh et al.
2014/0268841	A1	9/2014	Stockman
2015/0356894	A1	12/2015	Petrocy et al.
2016/0073479	A1	3/2016	Erchak et al.
2016/0223175	A1	8/2016	Yang
2016/0270148	A1	9/2016	Filipovic et al.
2017/0241596	A1	8/2017	Chien
2018/0084622	A1	3/2018	Chen

FOREIGN PATENT DOCUMENTS

CN	202118845	1/2012
CN	103000036	3/2013
CN	203090292	7/2013
CN	103672480	3/2014
CN	204345498	5/2015
CN	204437844	7/2015
WO	WO2007/128126	11/2007
WO	2011/094444	8/2011

OTHER PUBLICATIONS

Mobile LED Light Bulb, commercially available by Mar. 27, 2016 from www.mileskimball.combuy-mobile-led-light-bulb-353158referrer=apiv1sli (3 pages).
 "Light Bulb" Vintage, pictures taken on Jun. 9, 2016 by Pat Europe BV (3 pages).
 Hotook LED Emergency Light, available at goo.gl/A5U9d2, at least as early as Mar. 30, 2016.
 LED Light Bulb Lantern, available at <https://www.yellowoctopus.com.au/led-light-bulb-lantern-kikkerland>, at least as early as Mar. 31, 2016.
 Nightstick Dual Light with Magnet, available at goo.gl/yMBMcW, at least as early as Mar. 31, 2016.
 Ullman LED Magnetic Work Light, available at goo.gl/xscMC1, at least as early as Mar. 31, 2016.
 Battery Powered LED Dome Light, available at goo.gl/MFA6BE, at least as early as Mar. 30, 2016.
 Mobile LED Light Bulb, commercially available by Sep. 8, 2015 from <https://www.amazon.com/miles-kimball-mobile-light-bulb/dp/b0153tsjge> (4 pages).

* cited by examiner

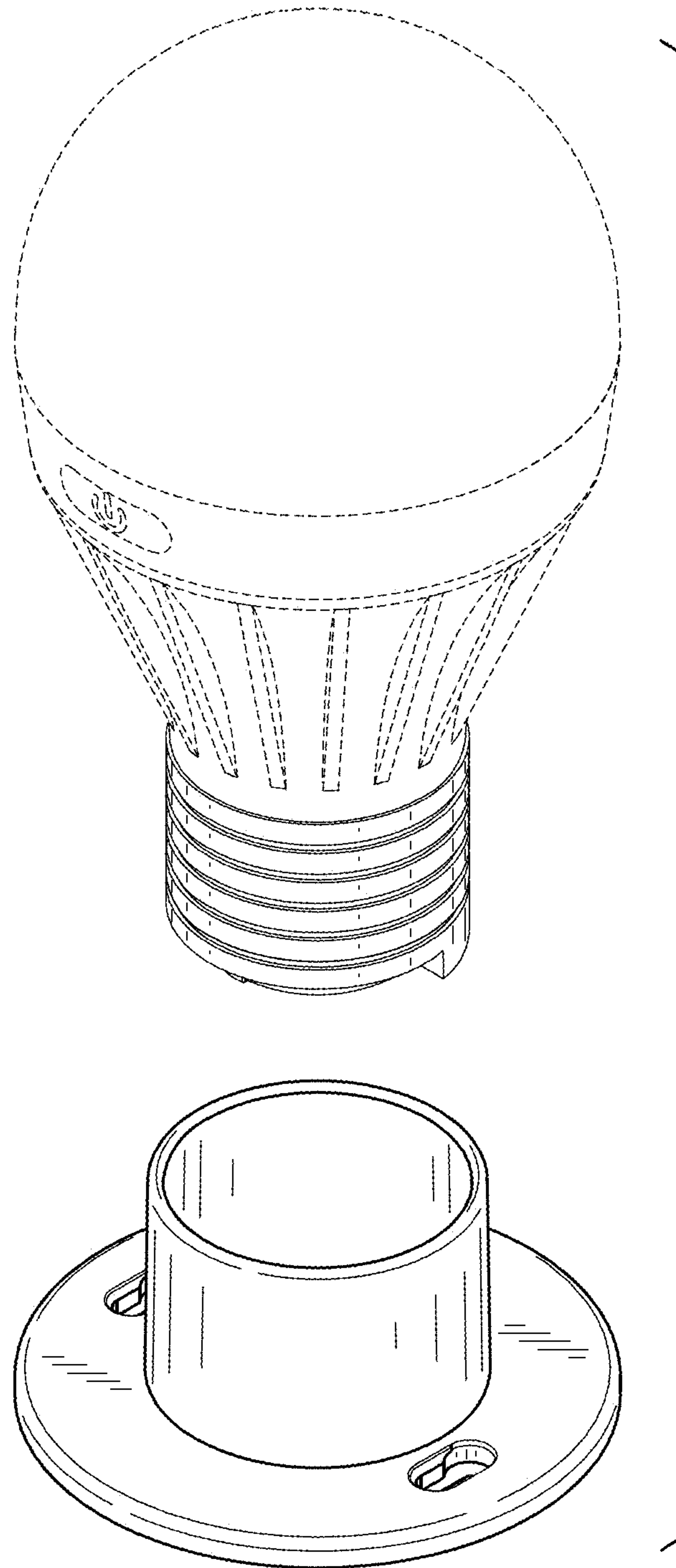


FIG. 1

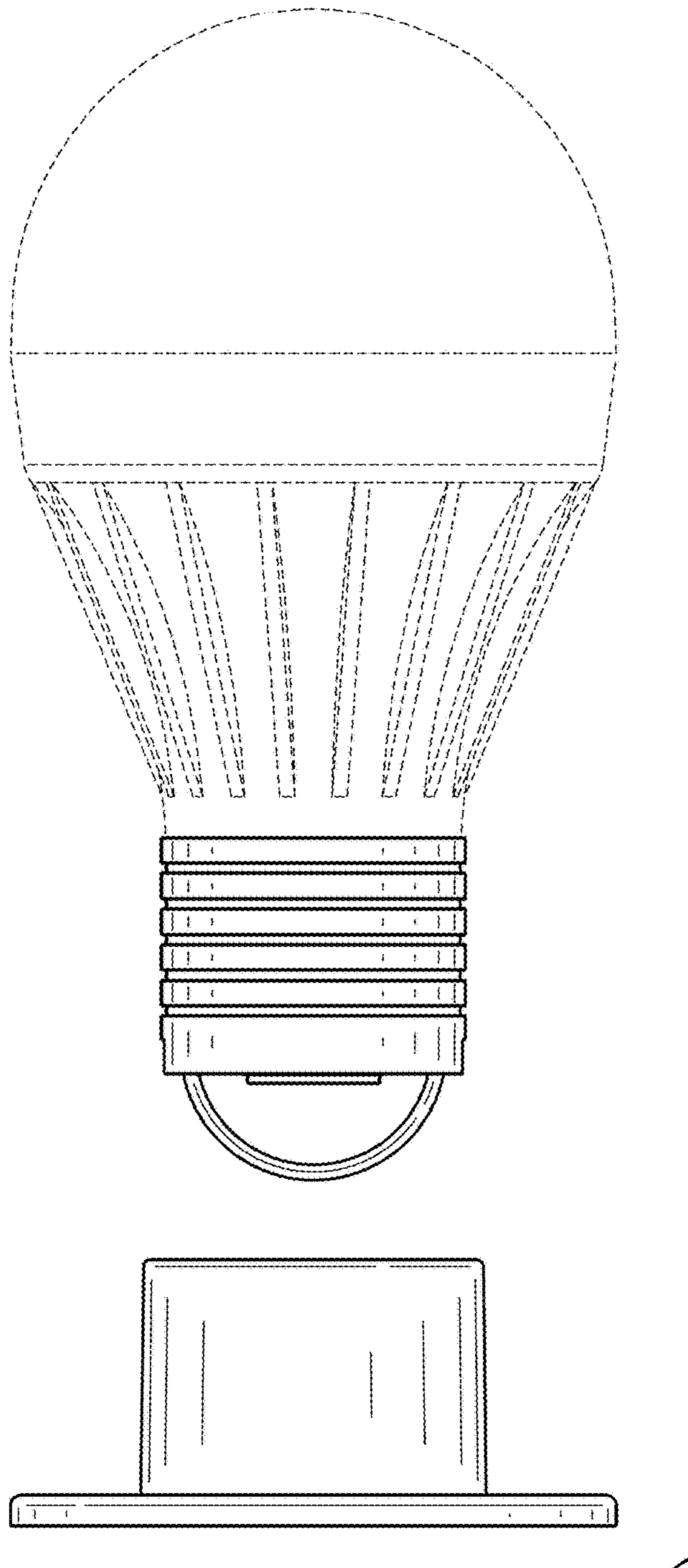


FIG. 2

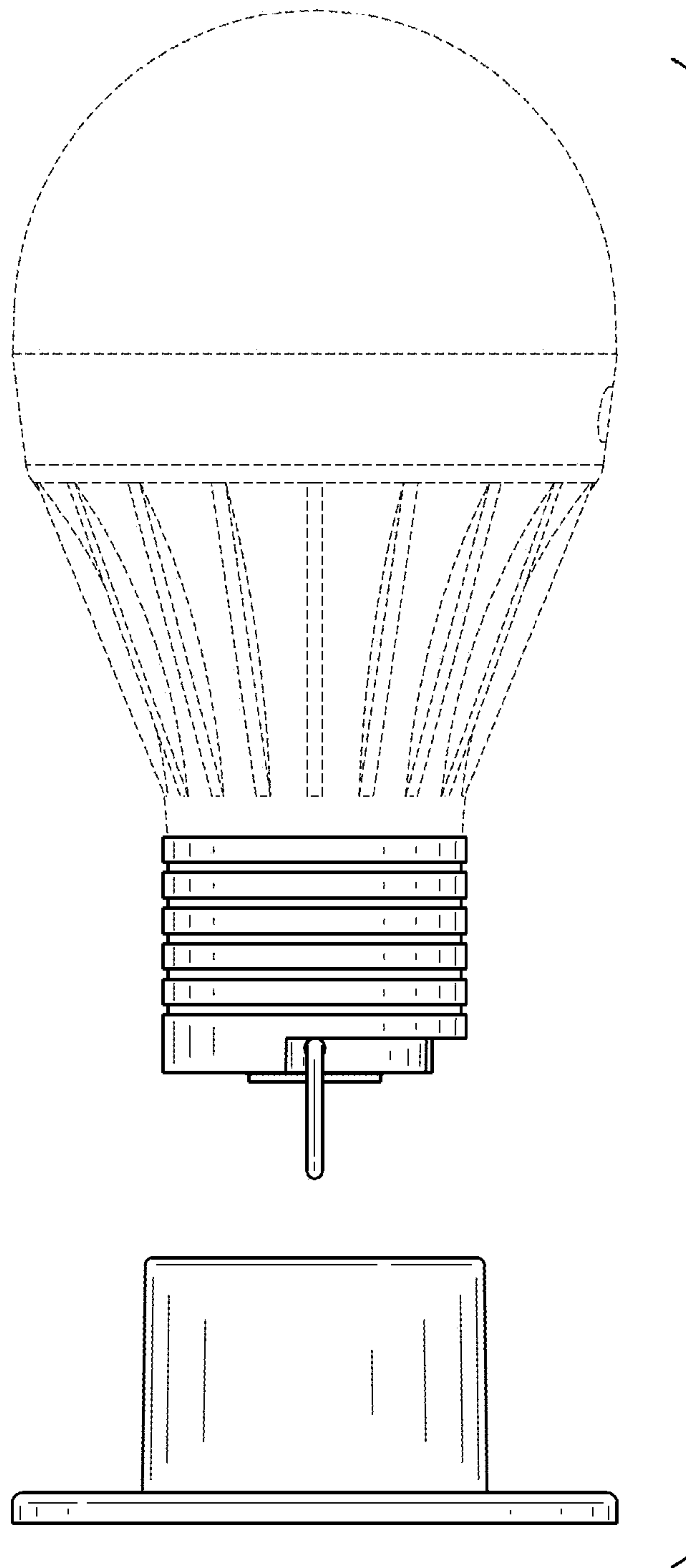


FIG. 3

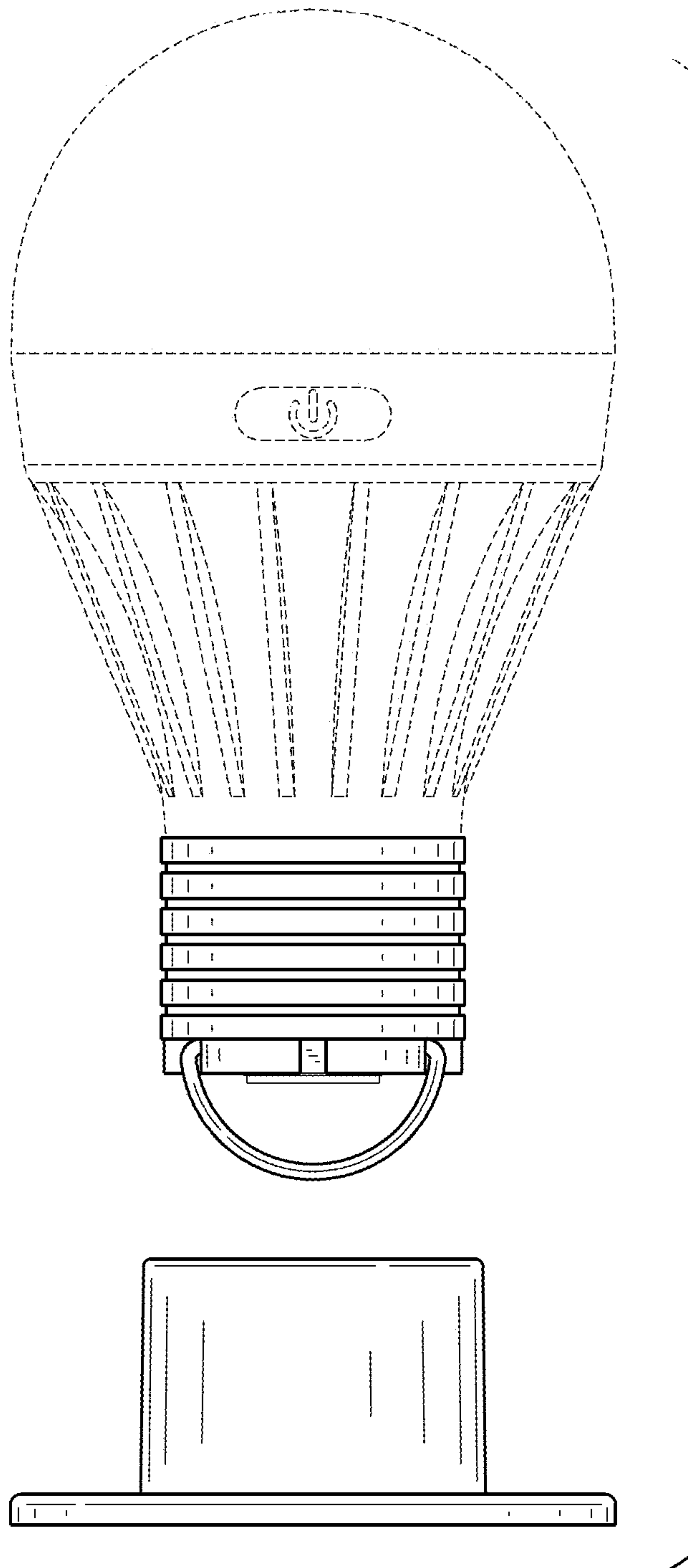


FIG. 4

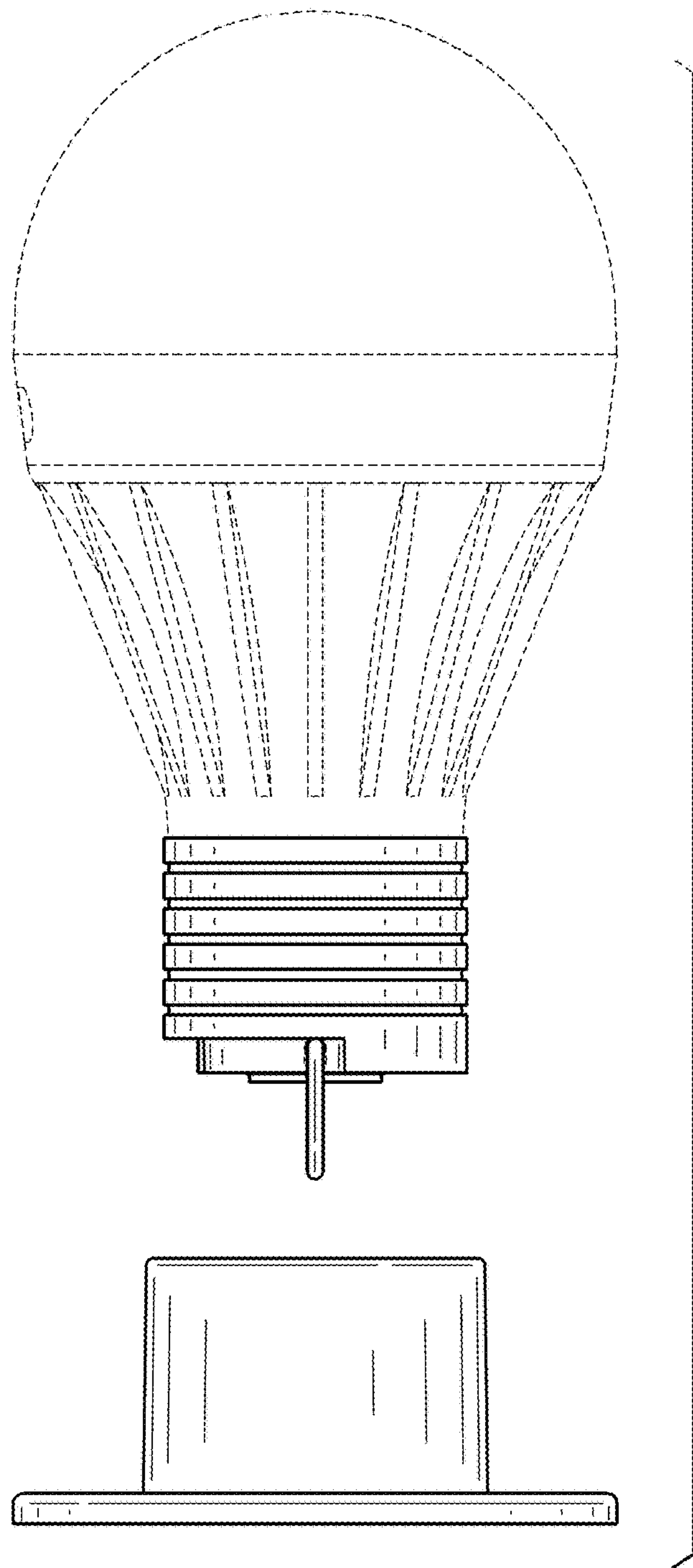


FIG. 5

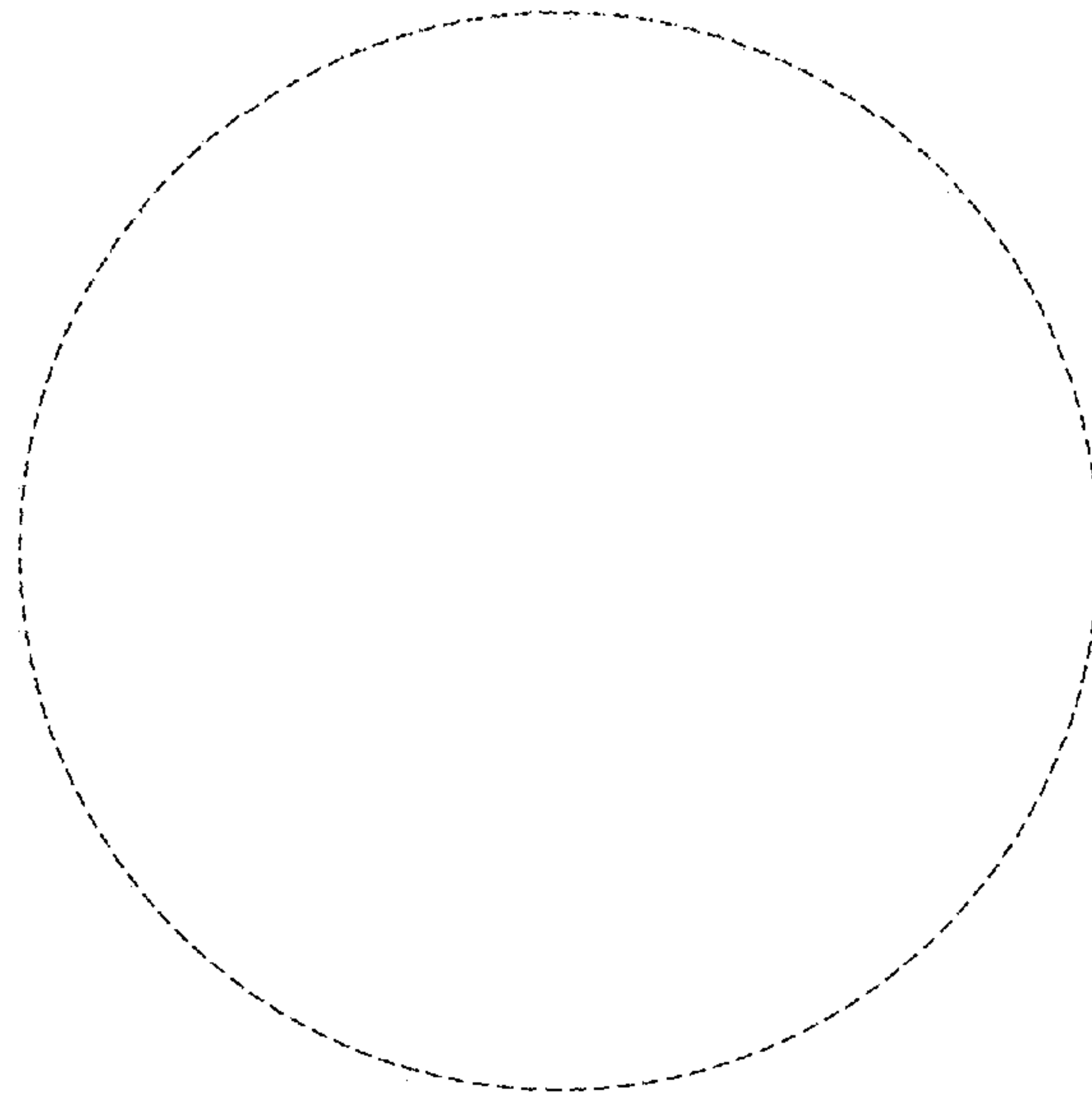


FIG. 6

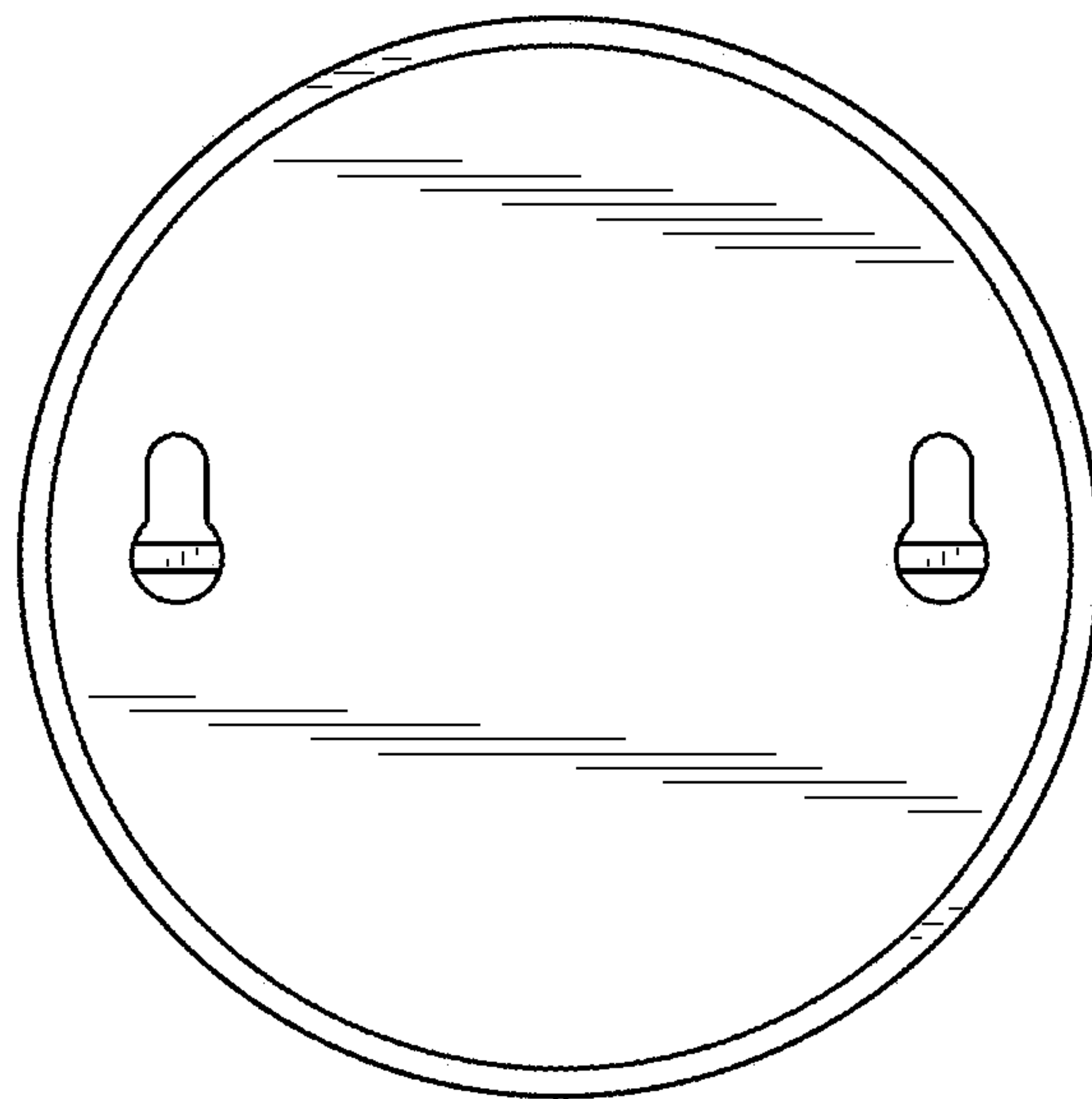


FIG. 7

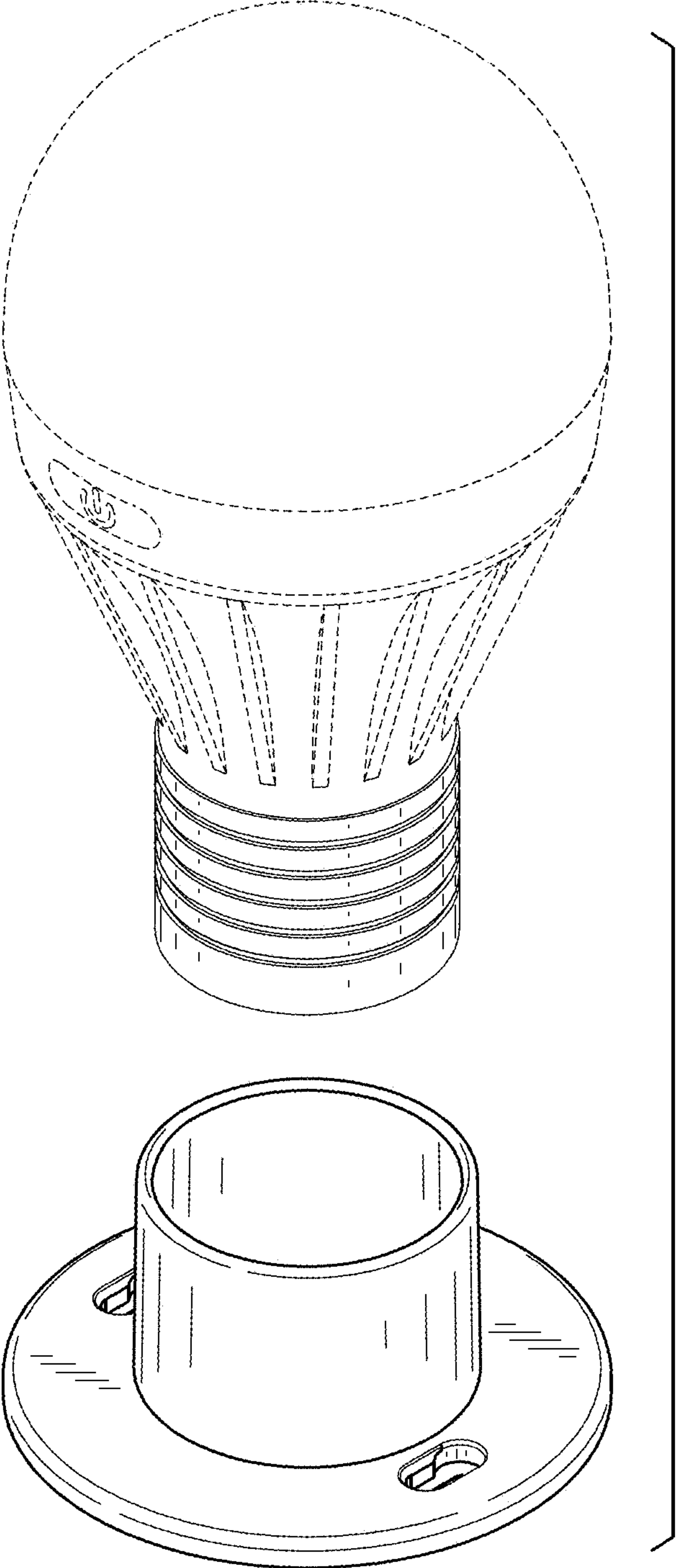


FIG. 8

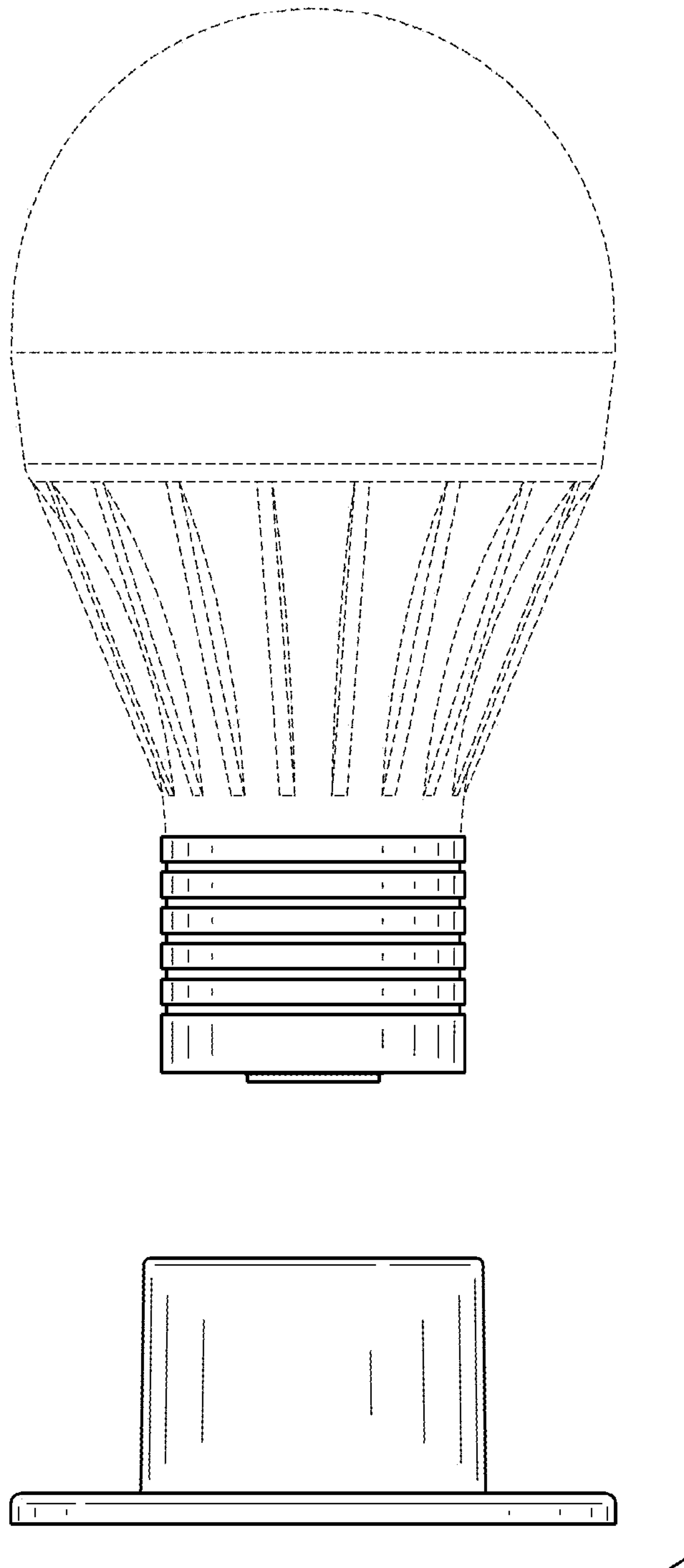


FIG. 9

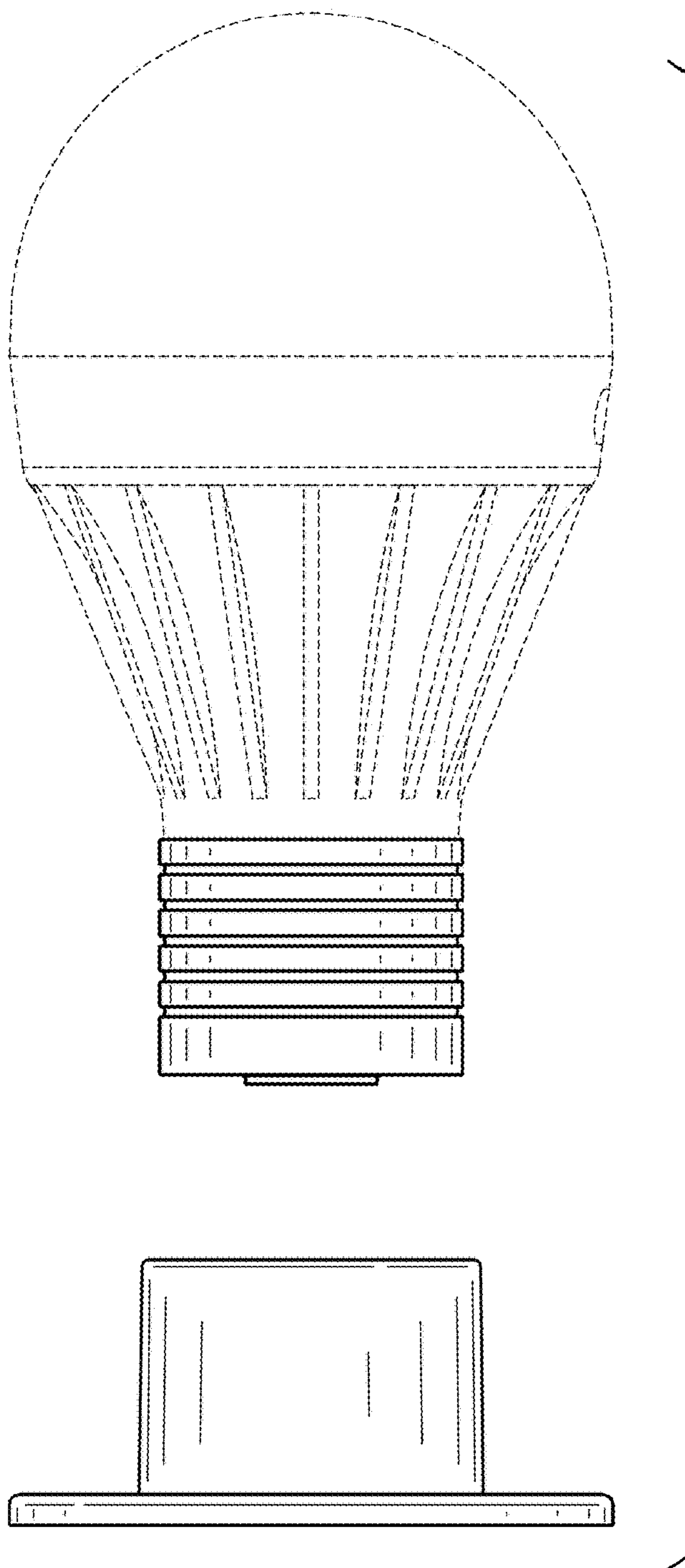


FIG. 10

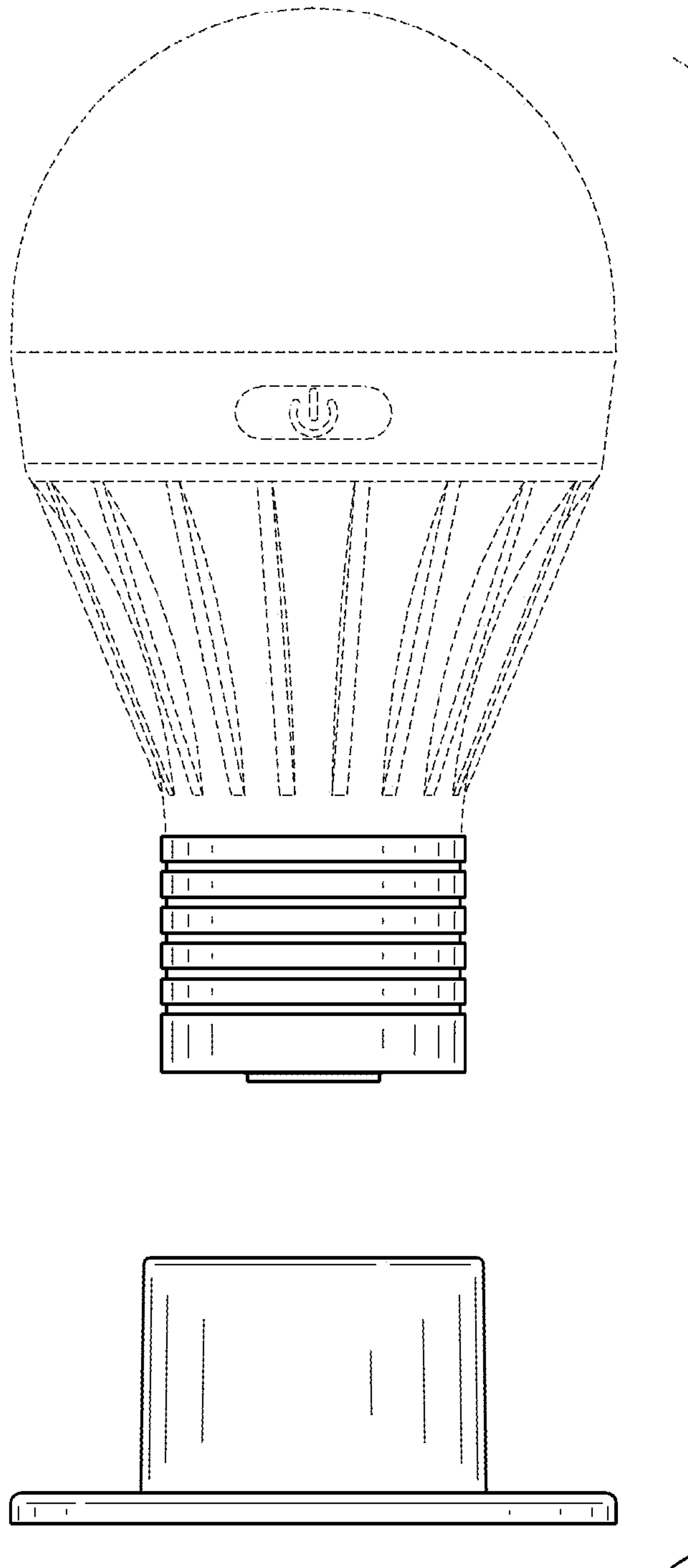


FIG. 11

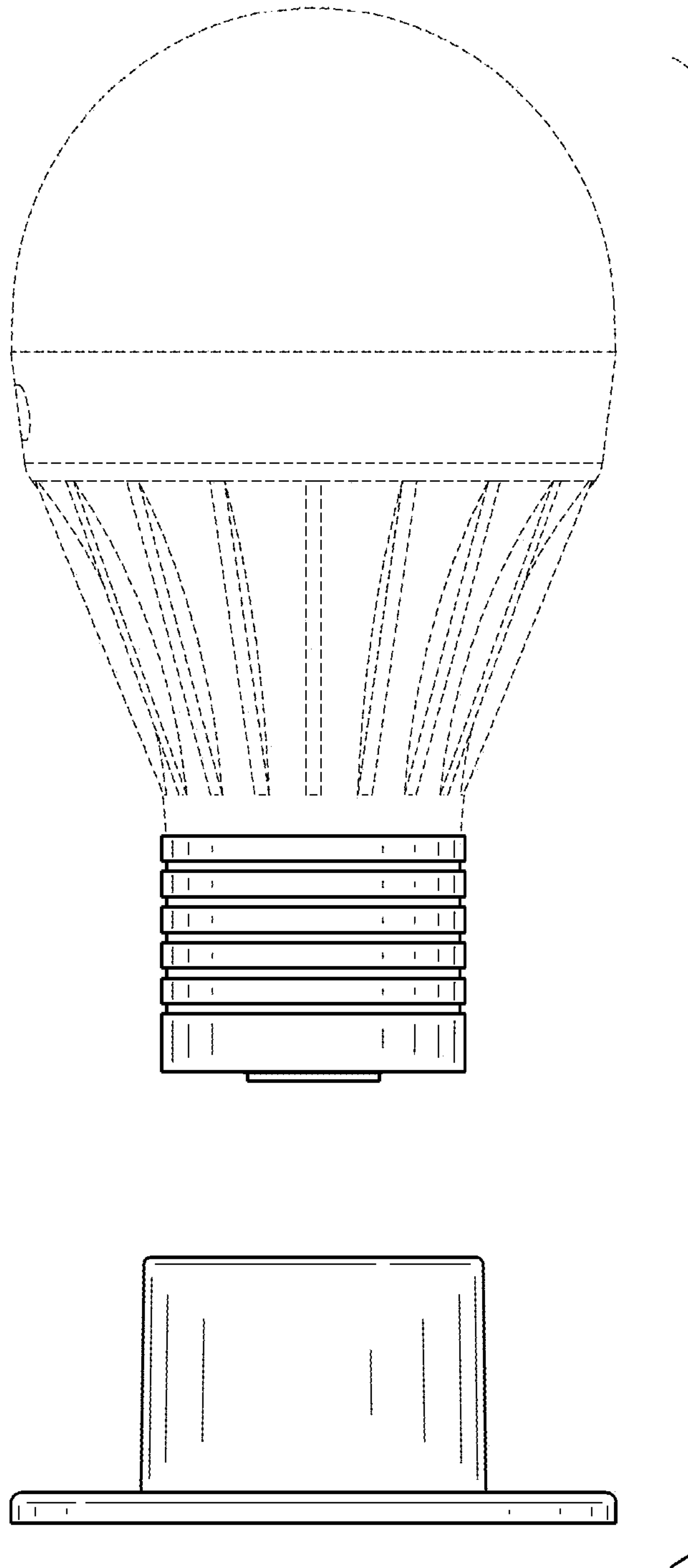


FIG. 12

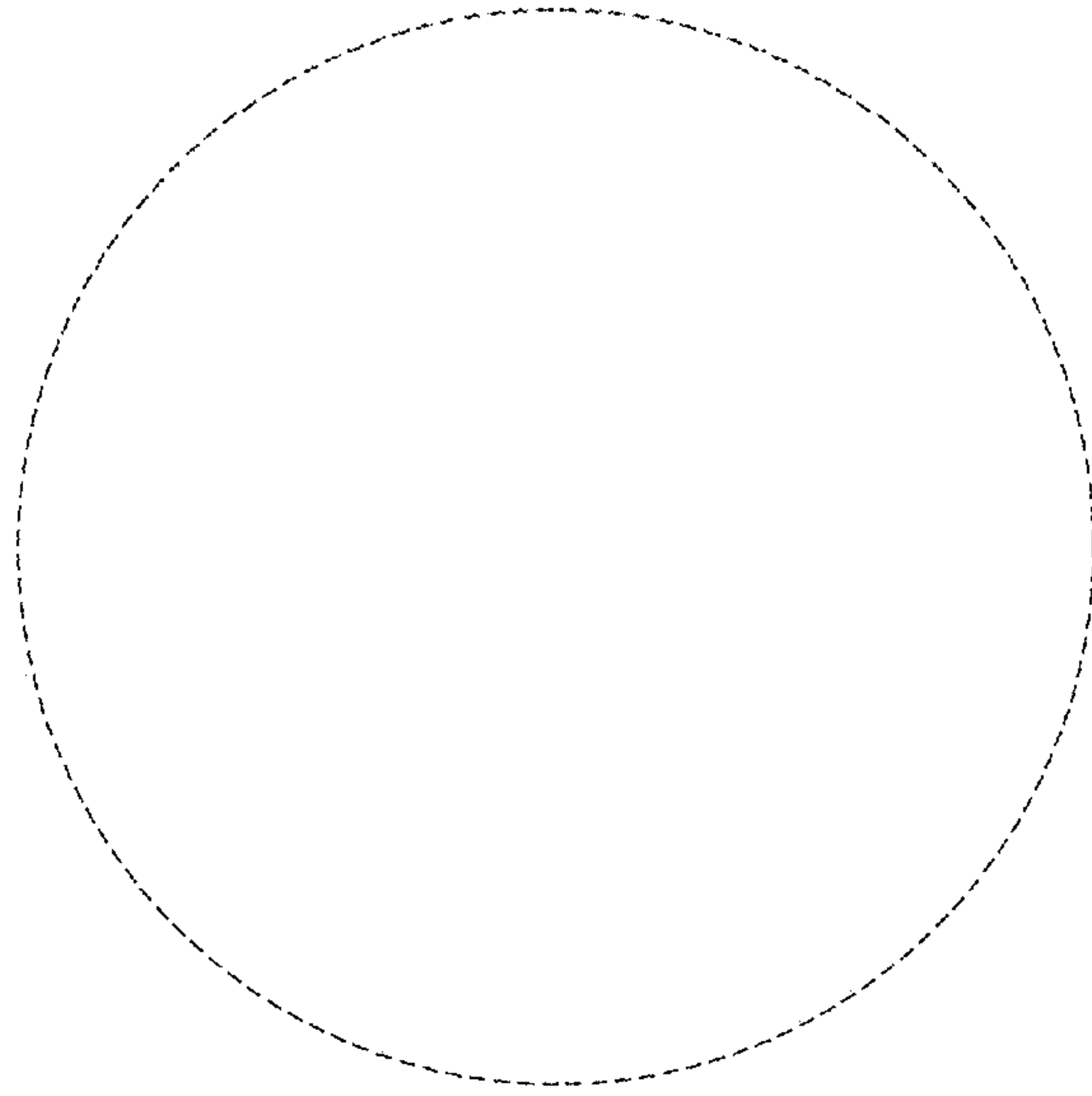


FIG. 13

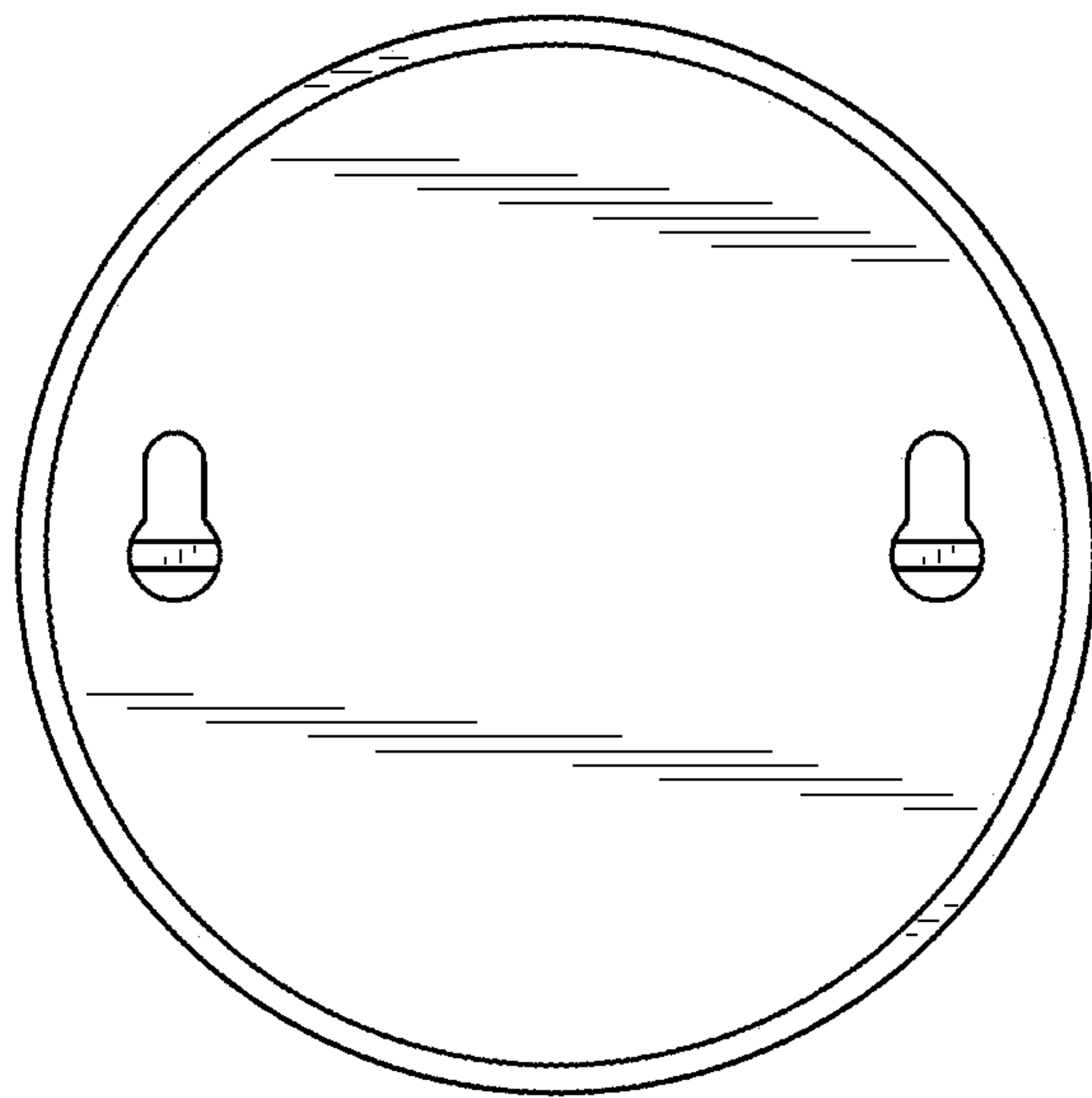


FIG. 14

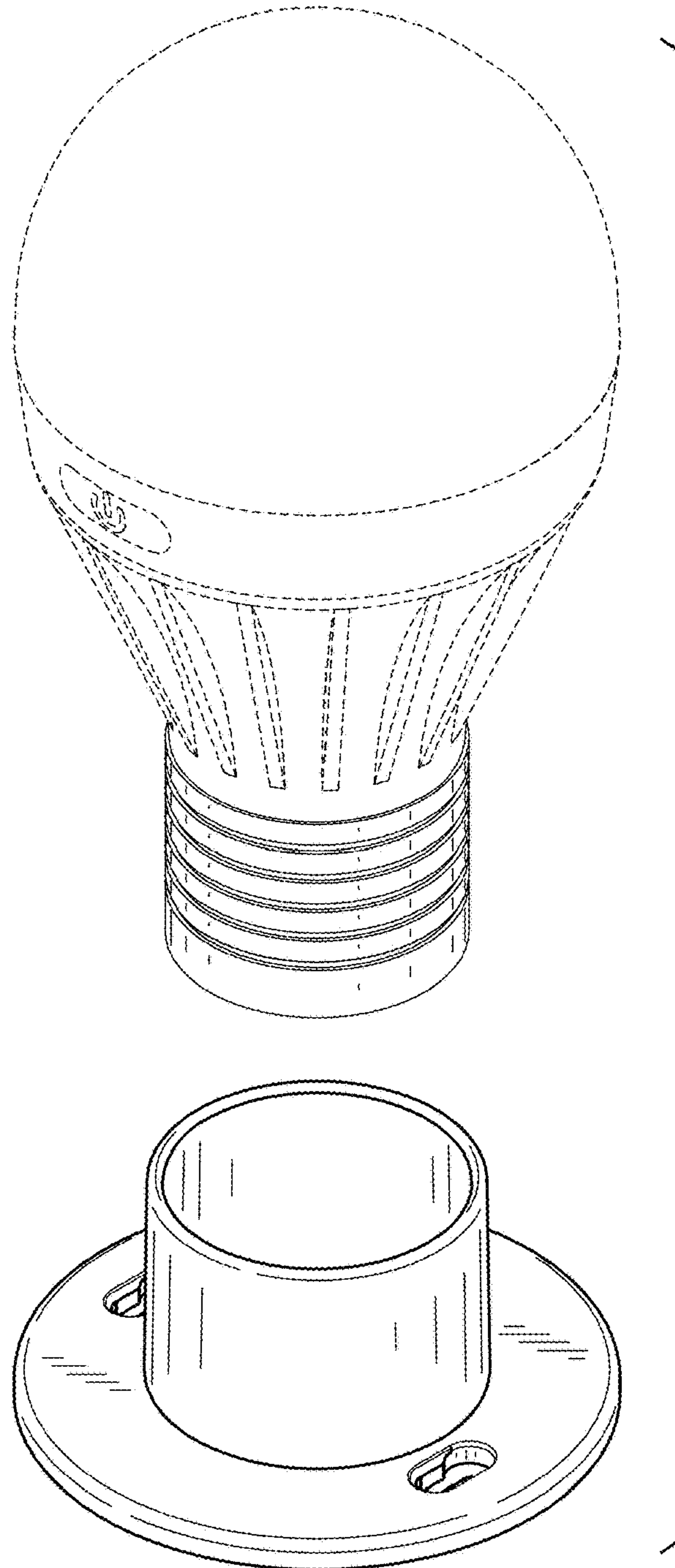


FIG. 15

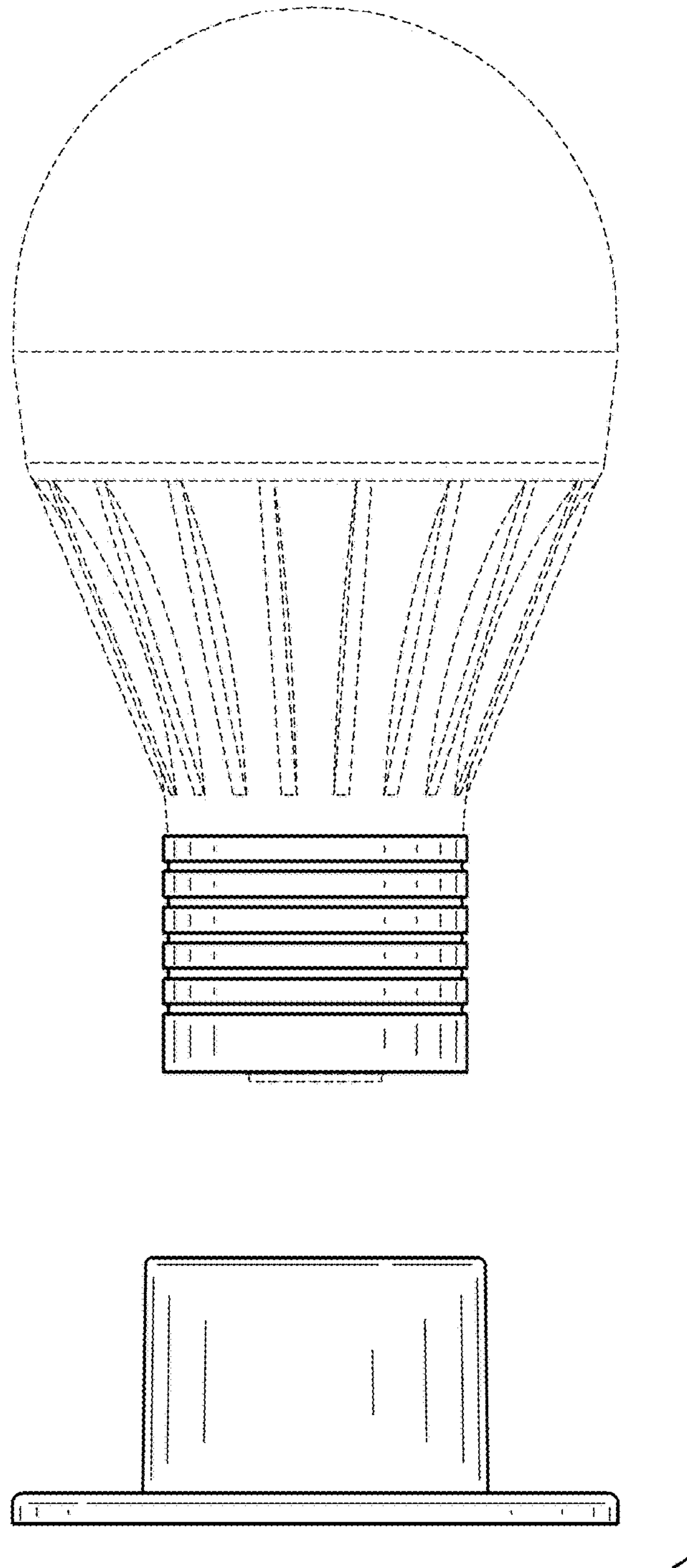


FIG. 16

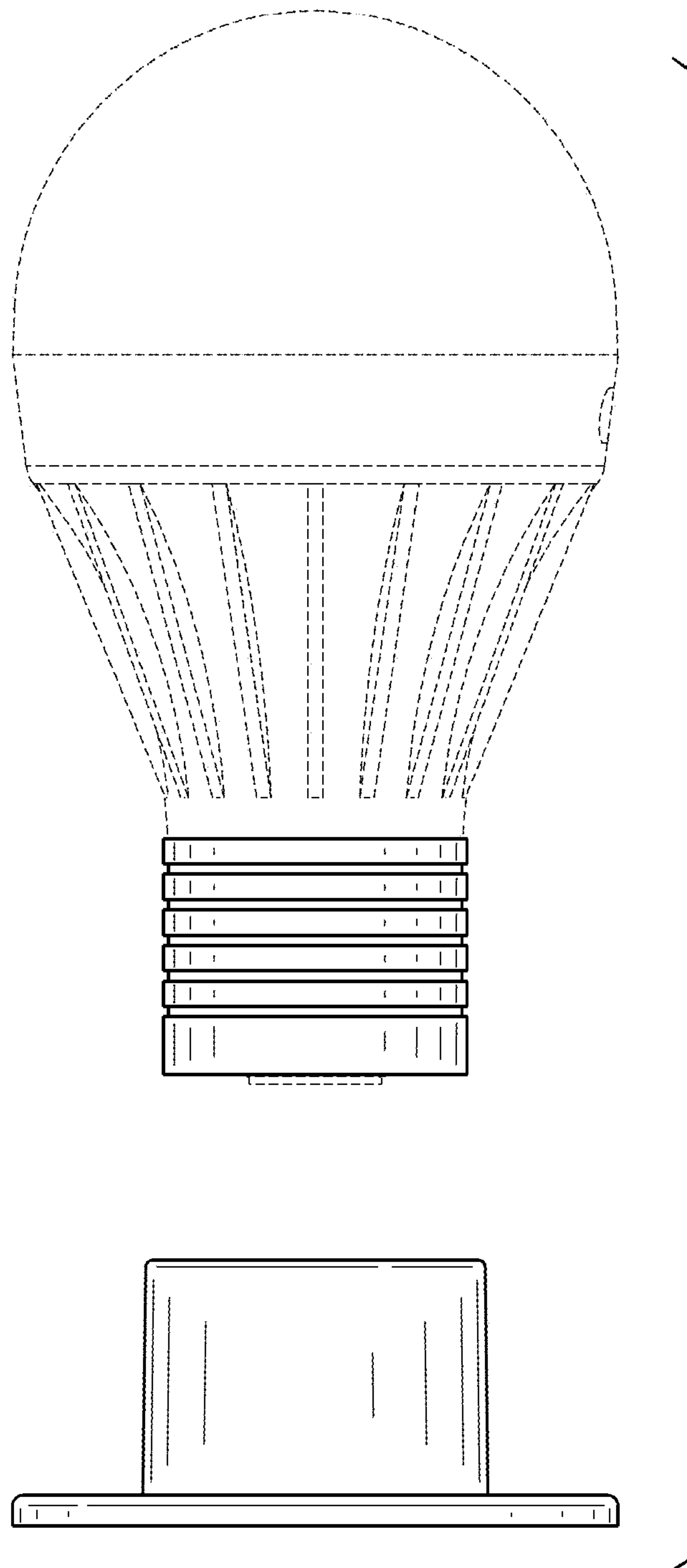


FIG. 17

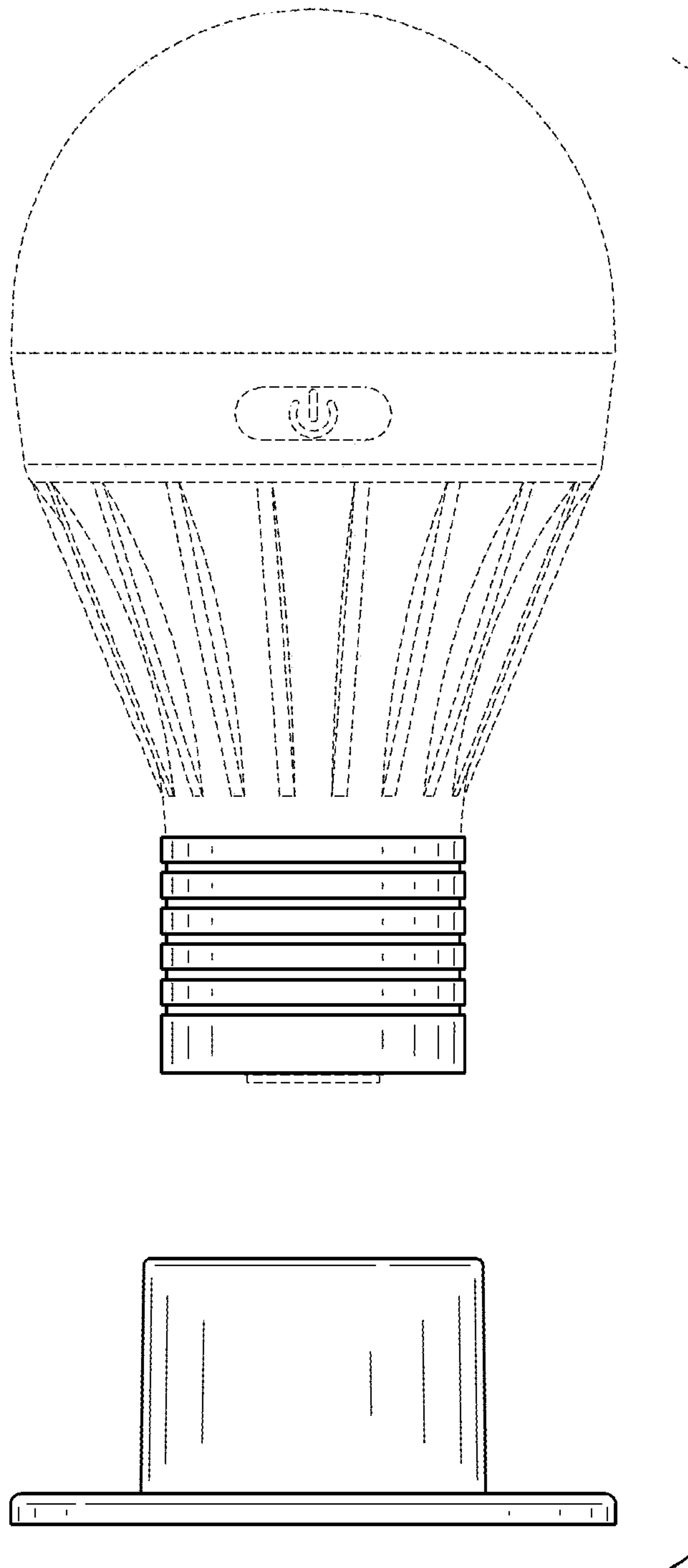


FIG. 18

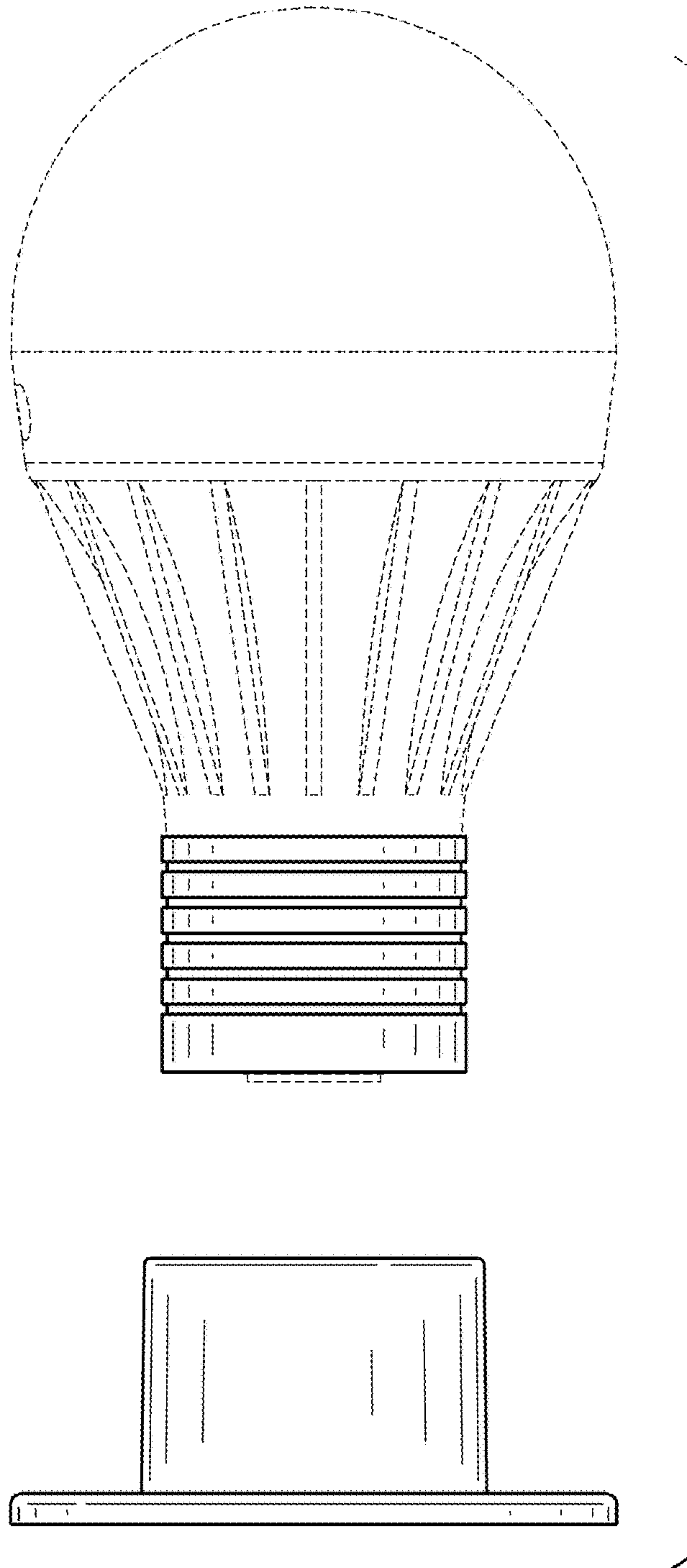


FIG. 19

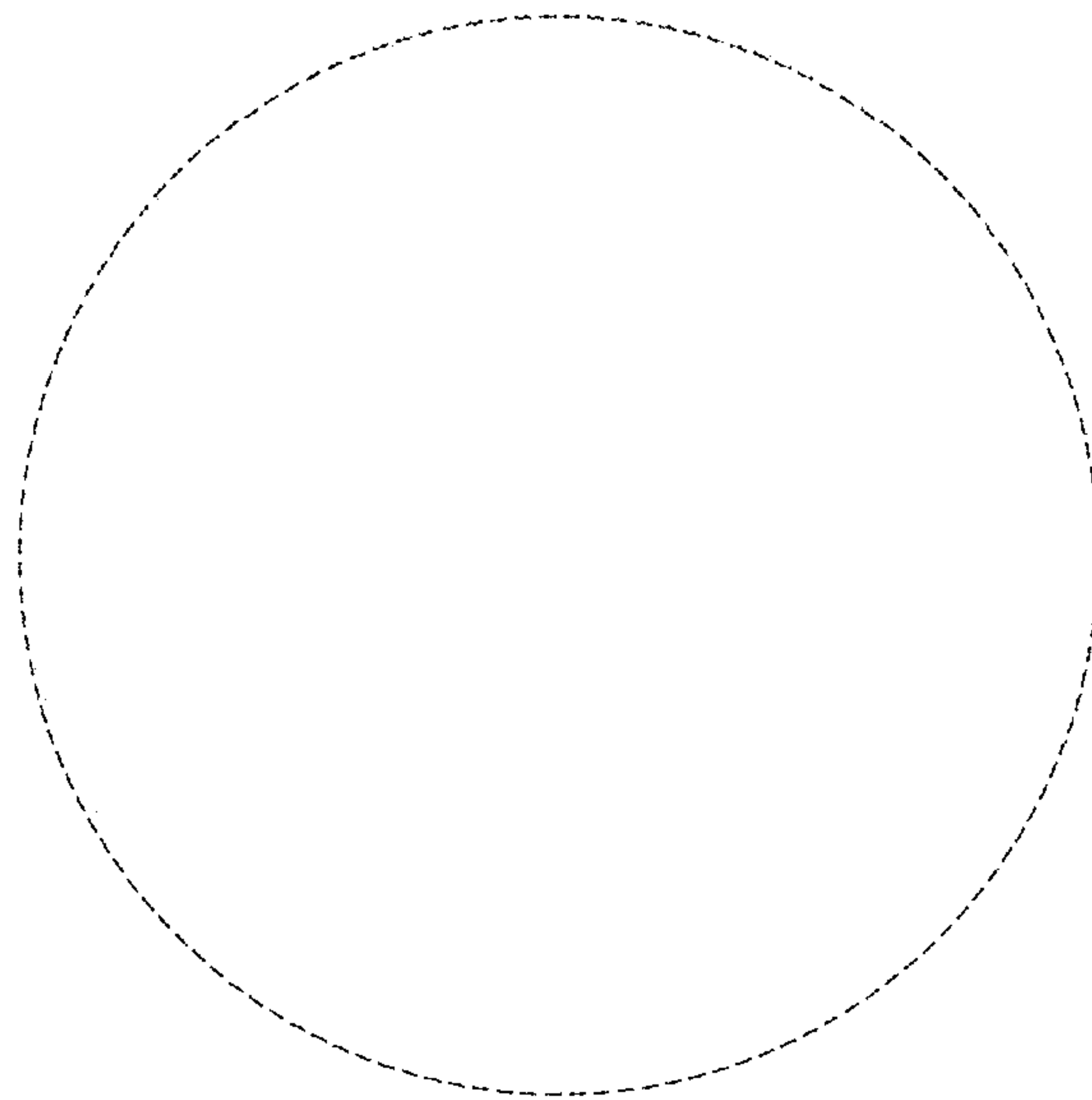


FIG. 20

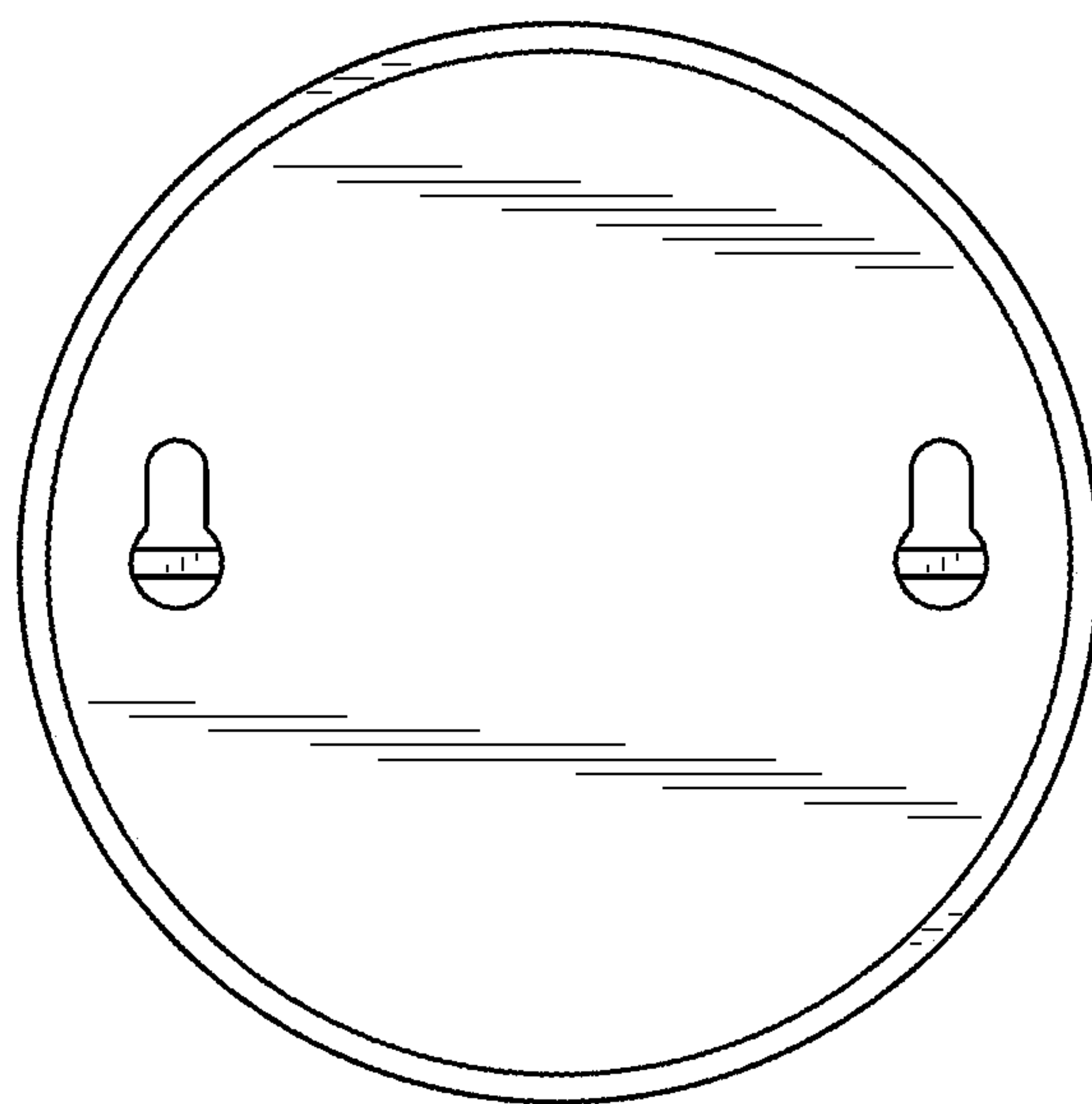


FIG. 21