



US00D849270S

(12) **United States Design Patent**
Singh

(10) **Patent No.:** **US D849,270 S**

(45) **Date of Patent:** **** May 21, 2019**

- (54) **TRIM REVEAL EXTRUSION**
- (71) Applicant: **Joshua George Singh**, Calgary (CA)
- (72) Inventor: **Joshua George Singh**, Calgary (CA)
- (**) Term: **15 Years**
- (21) Appl. No.: **29/615,430**
- (22) Filed: **Aug. 29, 2017**
- (51) **LOC (11) Cl.** **25-01**
- (52) **U.S. Cl.**
USPC **D25/119**
- (58) **Field of Classification Search**
USPC D25/119-126, 136, 164, 199; D26/138;
D8/349, 354, 376, 377, 380, 381, 382;
D6/702, 705, 705.6, 709, 709.2, 712
CPC E04F 19/02; E04F 19/022; E04F 19/024;
E04F 19/026; E04F 19/028; E04F 19/04;
E04F 19/0436; E04F 19/0459; E04F
19/0463; E04F 19/0468; E04F 19/0481;
E04F 19/0486; E04F 19/049; E04F
19/0495; E04F 19/06; E04F 19/061; E04F
19/062; E04F 19/063; E04F 19/064; E04F
19/065; E04F 19/066; E04F 19/067; E04F
19/068; E04F 2019/0413; E04F
2019/0454; E04F 13/21; E04F 13/26;
E04F 13/28; E06B 1/00; E06B 1/02;
E06B 1/04; E06B 1/045; E06B 1/12;
E06B 1/26; E06B 1/28; E06B 1/30; E06B
1/32; E06B 1/34; E06B 1/342; E06B
1/36; E06B 1/52; E06B 3/30; E06B
3/301; E06B 3/96; E06B 3/9604; E06B
3/9612; E06B 3/9628; E04C 2003/026;
E04C 3/00; E04C 3/005; E04C 3/02;
E04C 3/04
See application file for complete search history.

- 5,045,374 A * 9/1991 Tucker E04F 19/028
52/371
- 5,273,258 A * 12/1993 Bedics E04F 19/026
52/288.1
- D371,611 S * 7/1996 Hsiao D25/124
- D371,612 S * 7/1996 Hsiao D25/124
- D383,058 S * 9/1997 Riley D25/123
- 5,752,353 A * 5/1998 Koenig E04F 19/028
52/255
- D430,315 S * 8/2000 Neuhofer, Jr. D25/199
- D432,247 S * 10/2000 Grosfillex D25/124
- D432,673 S * 10/2000 Grosfillex D25/124
- D433,514 S * 11/2000 Grosfillex D25/124
- 6,311,442 B1 * 11/2001 Watanabe E04F 19/022
52/282.1

(Continued)

Primary Examiner — Cynthia Ramirez
Assistant Examiner — L. Martinez-Rivera
(74) *Attorney, Agent, or Firm* — Tai W. Nahm; Miller
Thomson LLP

(57) **CLAIM**

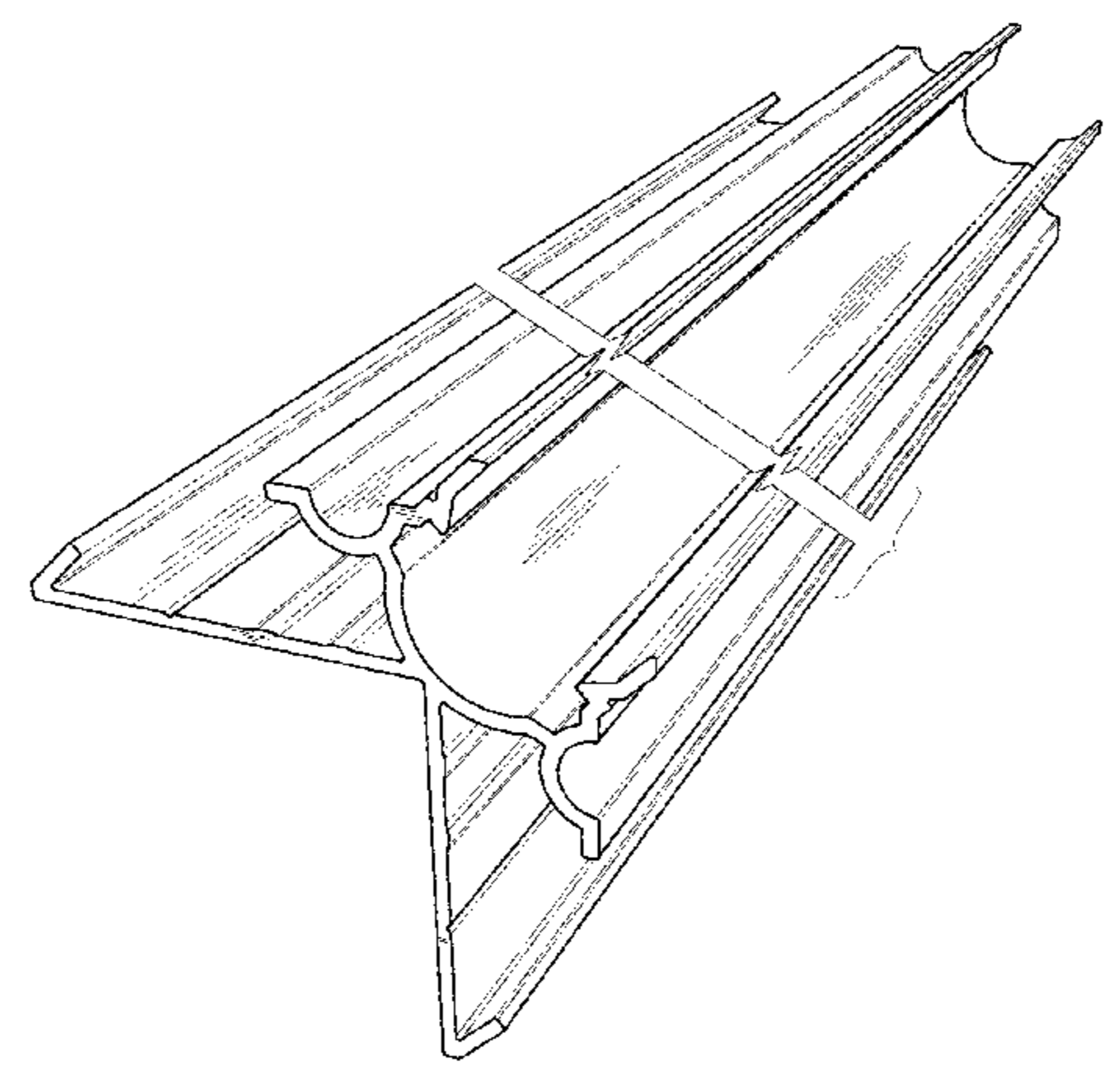
The ornamental design for a trim reveal extrusion, as shown and described.

DESCRIPTION

FIG. 1 is a perspective view of the trim reveal extrusion showing our new design.
FIG. 2 is another perspective view thereof.
FIG. 3 is an end elevational view thereof; and,
FIG. 4 is another end elevation view thereof, showing the trim reveal extrusion in a condition of use.
The broken lines shown in FIG. 4 illustrate environmental subject matter only and form no part of the claimed design.
The trim reveal extrusion is shown with a symbolic break in its length. The appearance of any portion of the trim reveal extrusion between the break lines forms no part of the claimed design.

1 Claim, 2 Drawing Sheets

- (56) **References Cited**
U.S. PATENT DOCUMENTS
D30,302 S * 2/1899 McCracken D25/164
D110,751 S * 8/1938 Lowry D25/123



(56)

References Cited

U.S. PATENT DOCUMENTS

6,341,458	B1 *	1/2002	Burt	E04F 19/061 D25/164
6,553,732	B2 *	4/2003	Shaw	E04F 19/022 52/288.1
6,557,311	B1 *	5/2003	Mongelli	E04F 19/0436 52/288.1
D550,862	S *	9/2007	Brabeck	D25/124
D557,112	S *	12/2007	Franssen	D8/349
D599,916	S *	9/2009	Polston	D25/136
8,171,685	B2 *	5/2012	Harrison	E04F 19/022 52/254
D669,211	S *	10/2012	Larson	D26/138
8,528,287	B2 *	9/2013	Aboukhalil	E04F 19/061 52/288.1
D713,976	S *	9/2014	Van Camp	D25/124
8,839,582	B2 *	9/2014	Aboukhalil	E04F 19/022 52/460
D745,189	S *	12/2015	Stoesser	D25/125
D789,561	S *	6/2017	Singh	D25/121
D791,356	S *	7/2017	Singh	D25/119
D791,357	S *	7/2017	Singh	D25/119
D808,577	S *	1/2018	Klus	D26/138
9,874,026	B2 *	1/2018	Bilge	E04F 19/064
D810,541	S *	2/2018	Amato	D25/125
D814,060	S *	3/2018	Singh	D25/119

* cited by examiner

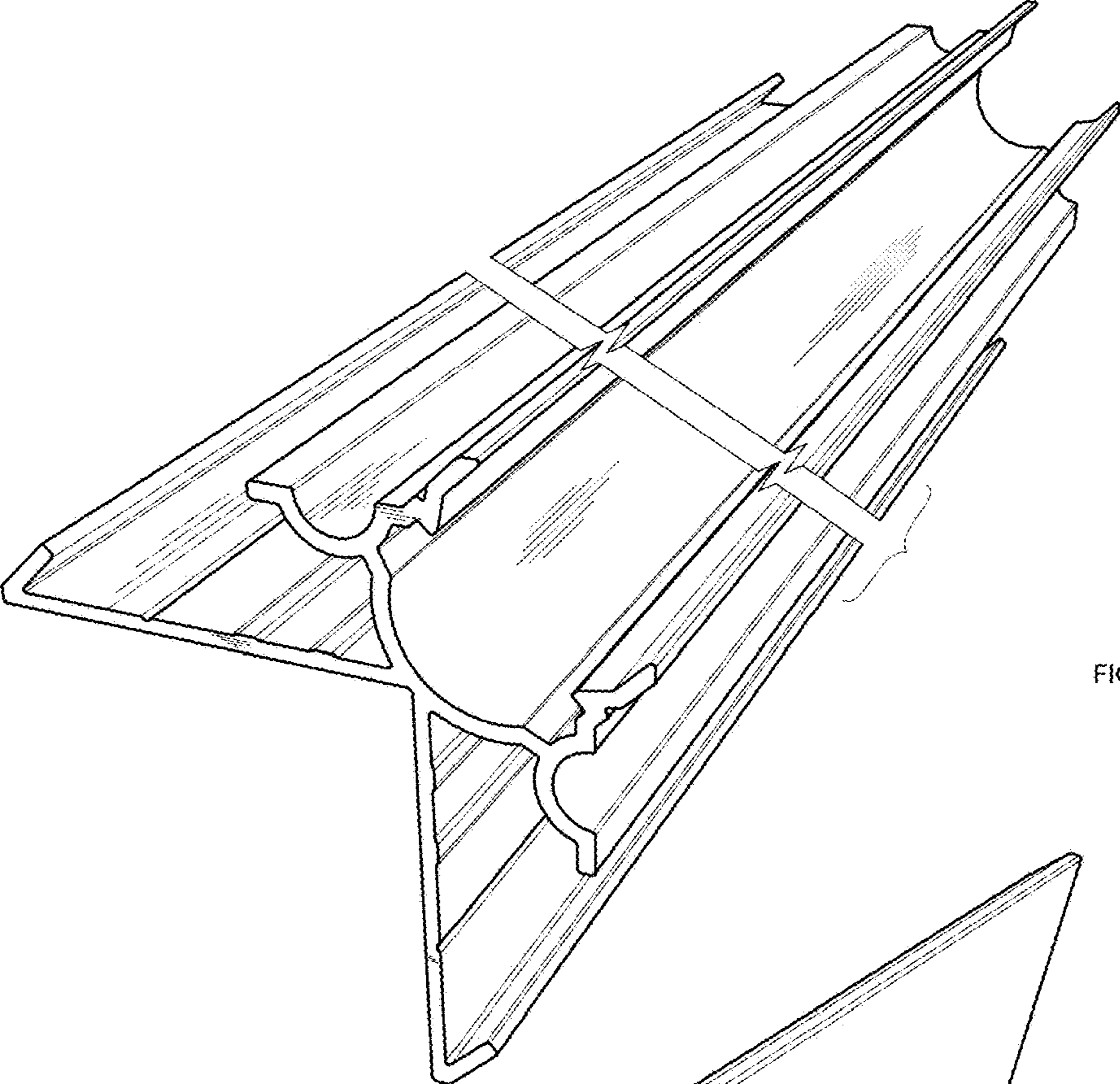


FIG. 1

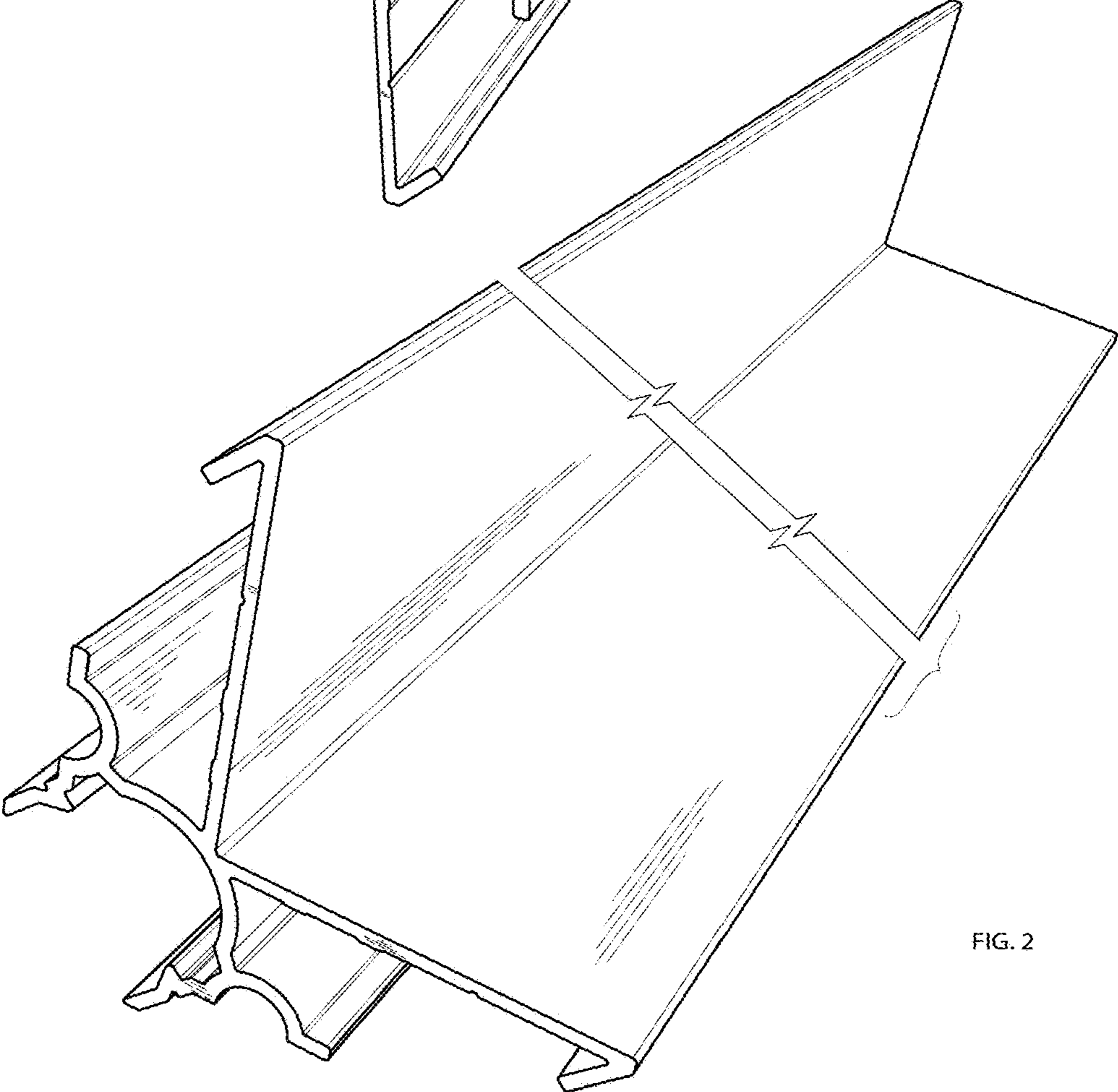


FIG. 2

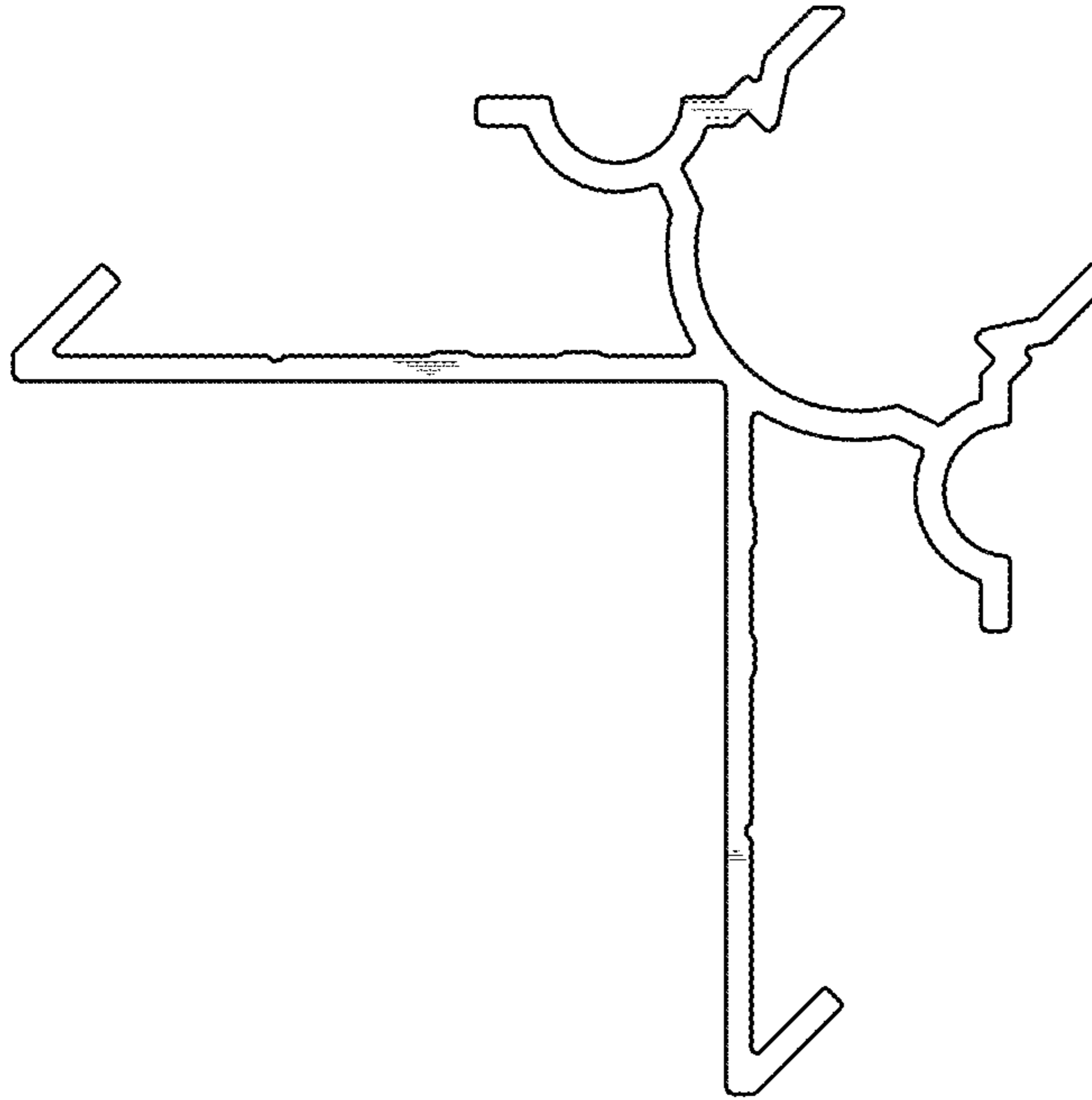


FIG. 3

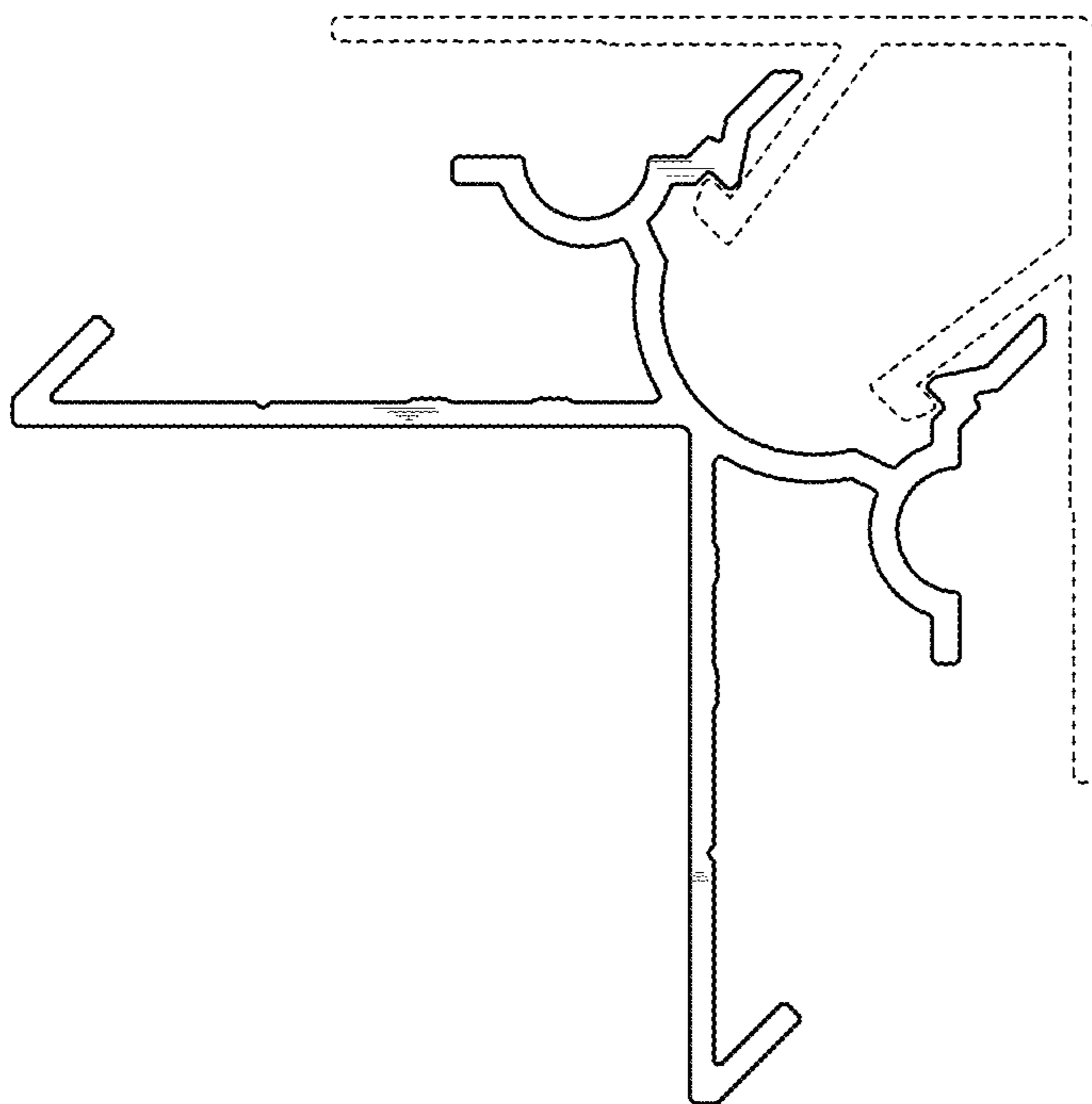


FIG. 4