



US00D849269S

(12) **United States Design Patent** (10) **Patent No.:** **US D849,269 S**
Yi (45) **Date of Patent:** **** May 21, 2019**

(54) **SCREEN DOOR**

FOREIGN PATENT DOCUMENTS

(71) Applicant: **Shenzhen Leshuo Tech Co., Ltd.**,
Shenzhen, Guangdong (CN)

EM 004033389-0001 * 6/2017

(72) Inventor: **Zhou Yi**, Guangdong (CN)

OTHER PUBLICATIONS

(73) Assignee: **SHENZHEN LESHUO TECHNOLOGY CO., LTD.**, Shenzhen (CN)

https://www.amazon.com/gp/product/B06XZ3KGZ6/ref=s9_acsd_simh_hd_bw_b3leyBP_cr_x_w?pf_rd_m=ATVPDKIKX0DER&pf_rd_s=merchandised-search-3&pf_rd_r=RMN5TDR8NNCDYAZK63HR&pf_rd_t=101&pf_rd_p=6c18f3b4-9b18-5215-b168-1b90e673863d&pf_rd_i=3024137011 Aug. 23, 2016 (Year: 2016).*

(**) Term: **15 Years**

<https://www.amazon.com/CATOOP-Protector-Sliding-Automatic-Lockable/dp/B074W1XYP6> Oct. 21, 2017 (Year: 2017).*

(21) Appl. No.: **29/598,792**

* cited by examiner

(22) Filed: **Mar. 29, 2017**

(51) **LOC (11) Cl.** **30-99**

Primary Examiner — Leanne Was-Englehart

(52) **U.S. Cl.**
USPC **D25/48.3**; D30/119

(74) *Attorney, Agent, or Firm* — Law Offices of Steven W. Weinrieb

(58) **Field of Classification Search**
USPC D25/48.3; D30/119
CPC E06B 7/32; Y10T 292/11; Y10T 292/0962;
Y10S 160/08; E05F 1/1284

See application file for complete search history.

(57) **CLAIM**

The ornamental design for a screen door, as shown and described.

(56) **References Cited**

U.S. PATENT DOCUMENTS

DESCRIPTION

3,184,803 A * 5/1965 Peel E06B 7/32
292/157
3,690,299 A * 9/1972 Johnson E06B 7/32
119/174
D326,914 S * 6/1992 Kirk D25/48.3
D445,915 S * 7/2001 Kirk D25/48.3
D448,088 S * 9/2001 McFee D25/48.3
D468,836 S * 1/2003 McFee D25/48.3
D507,660 S * 7/2005 Reid D25/48.3
7,152,371 B2 * 12/2006 Vaccari E06B 7/32
49/169
D538,942 S * 3/2007 Grundy D25/48.3
7,197,848 B2 * 4/2007 Vaccari E06B 7/32
160/180
2018/0128043 A1 * 5/2018 Liu A01K 29/005

FIG. 1 is a first perspective view of a screen door showing my new design;
FIG. 2 is a second perspective view thereof;
FIG. 3 is a front elevational view thereof;
FIG. 4 is a rear elevational view thereof;
FIG. 5 is a left side view thereof;
FIG. 6 is a right side view thereof;
FIG. 7 is a top plan view thereof;
FIG. 8 is a bottom plan view thereof; and,
FIG. 9 is a perspective view showing the screen door in a use state.

1 Claim, 9 Drawing Sheets

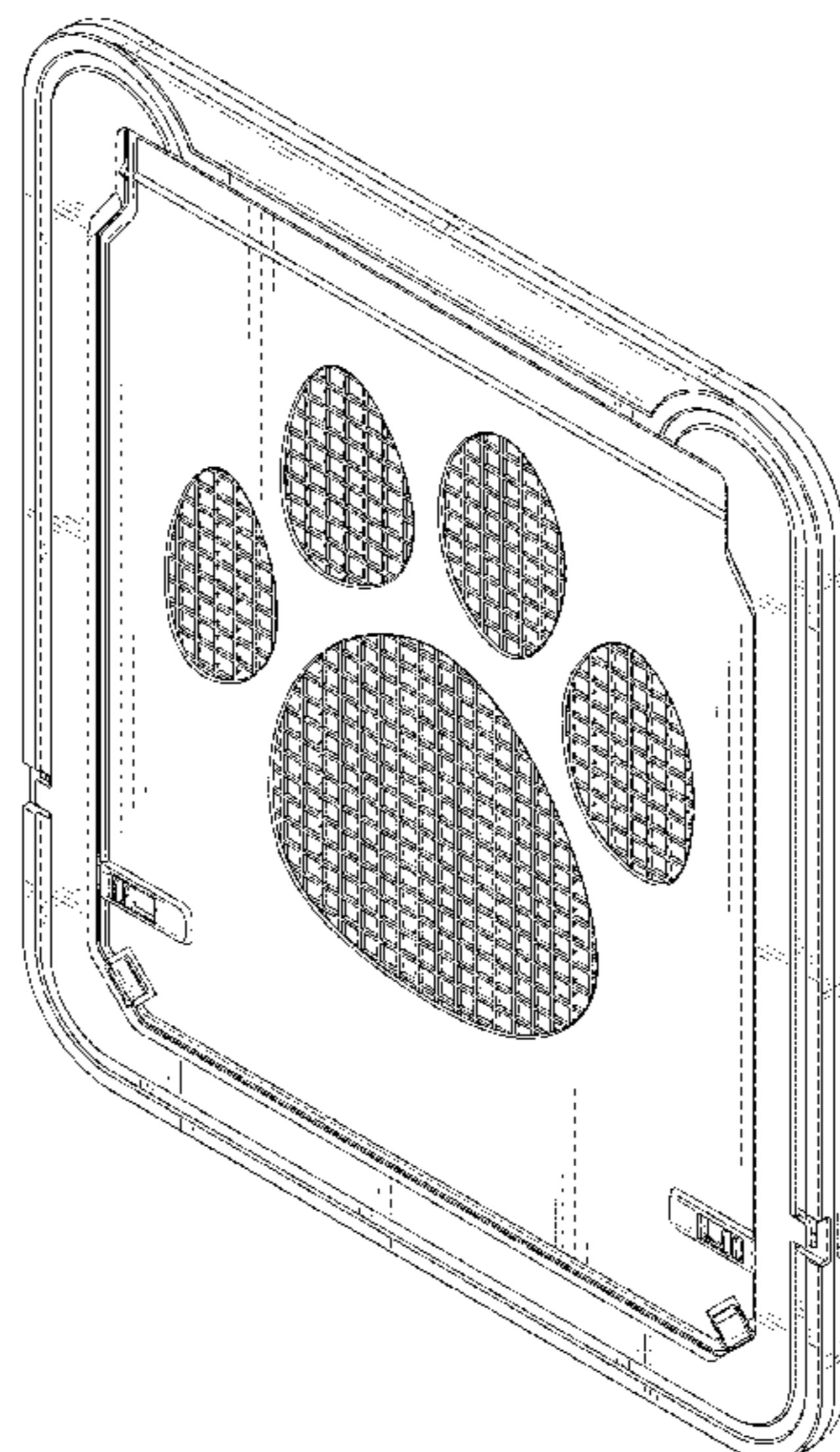




FIG. 1

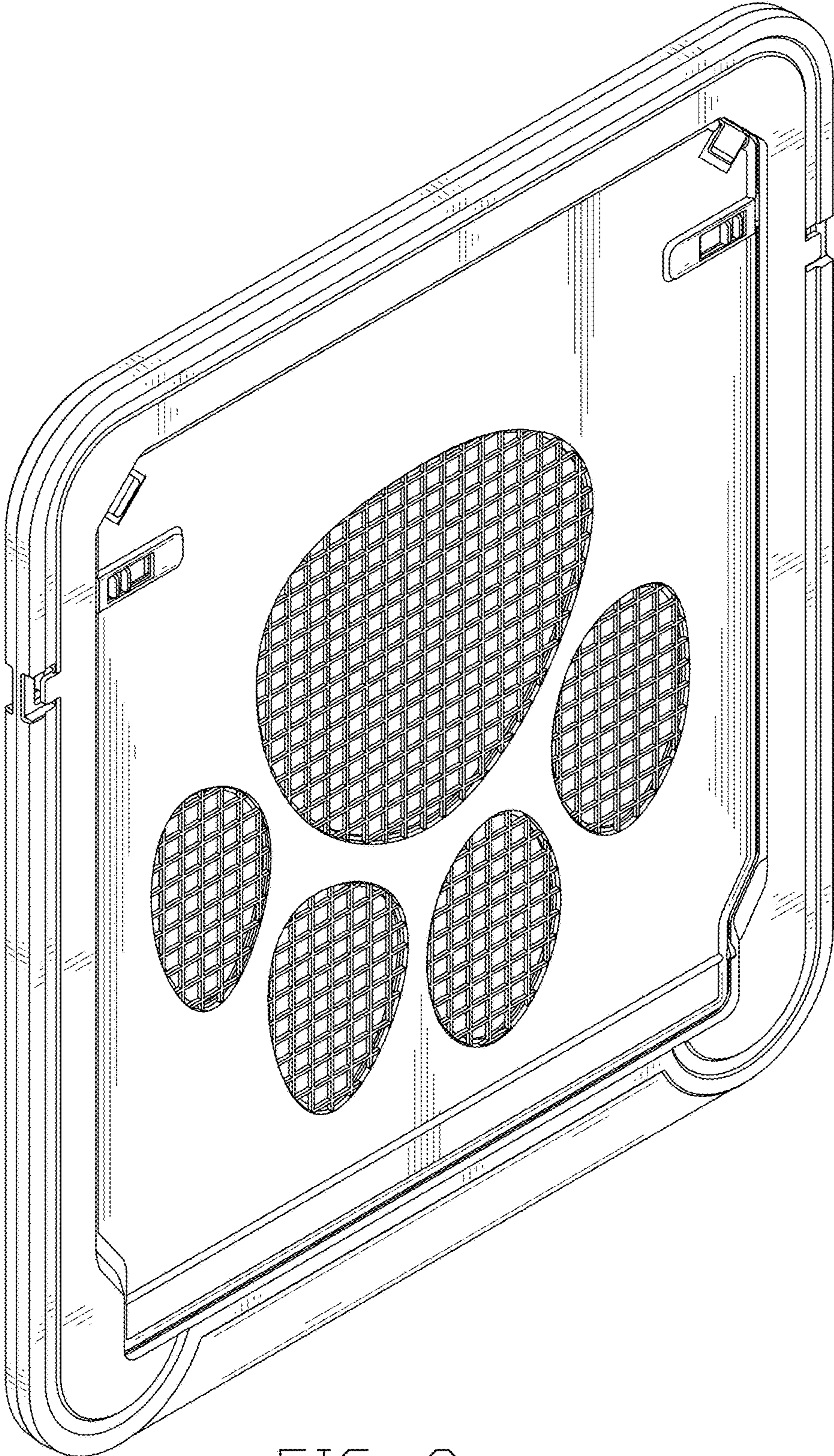


FIG. 2

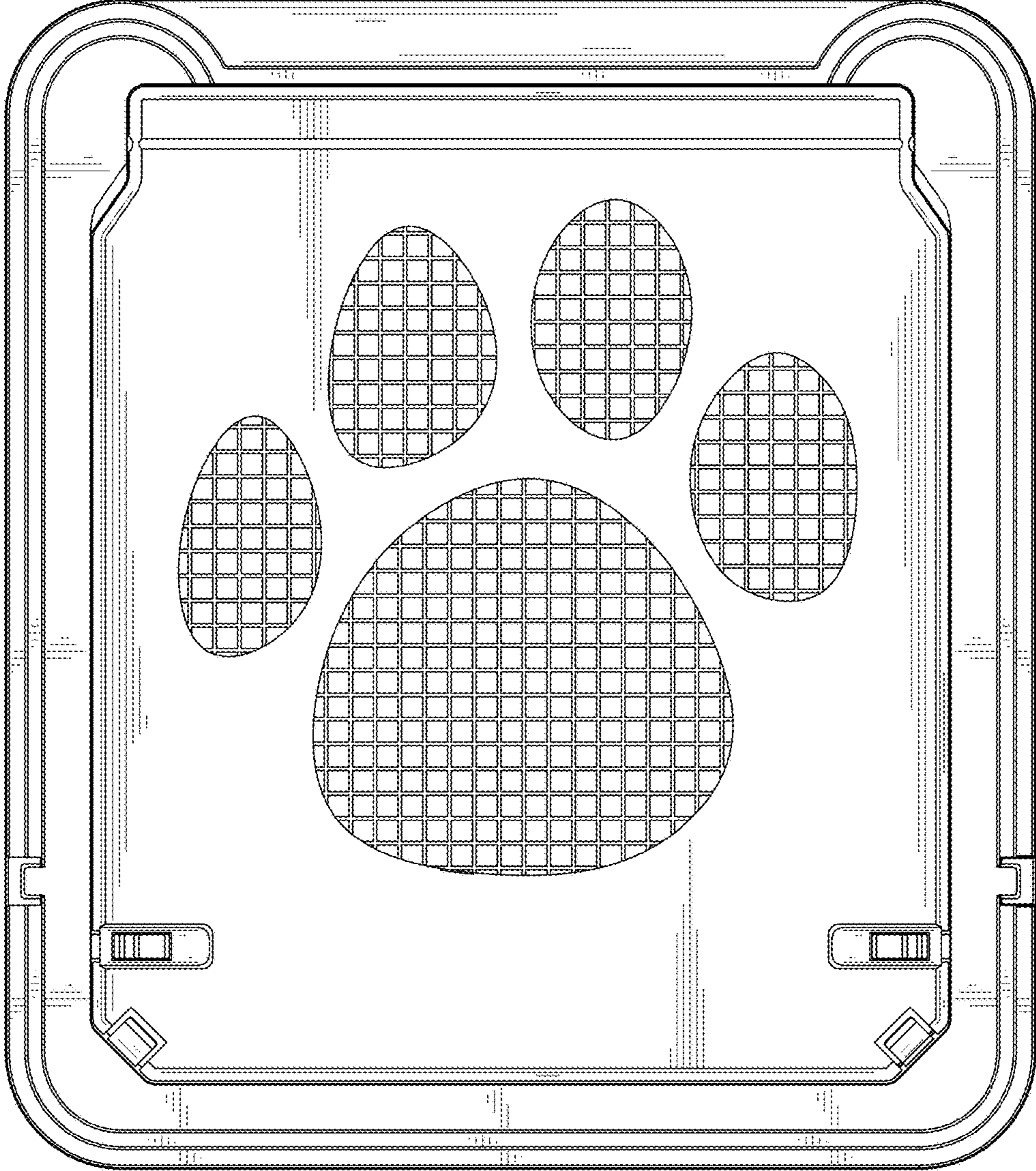


FIG. 3

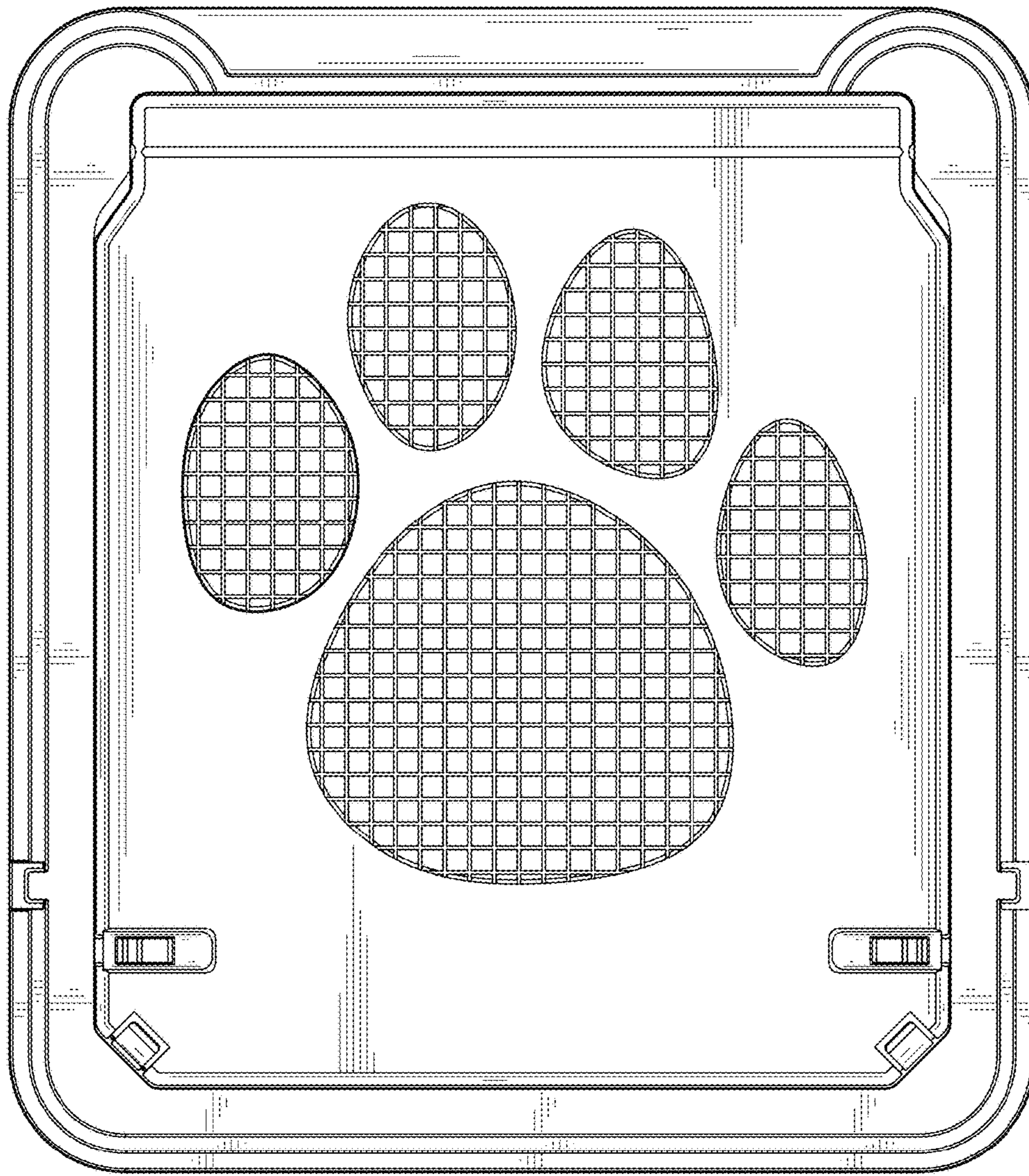


FIG. 4

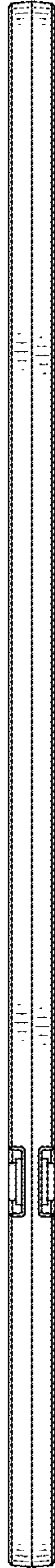


FIG. 5

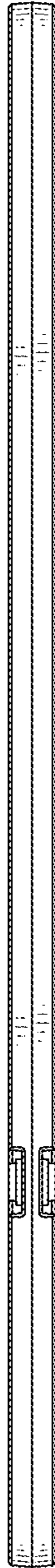


FIG. 6

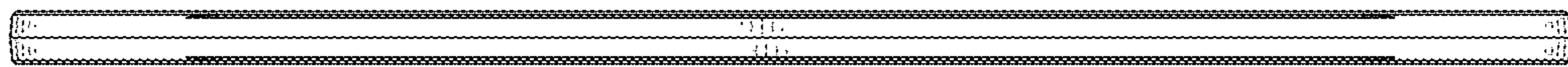


FIG. 7

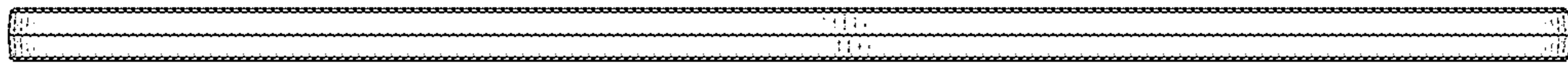


FIG. 8

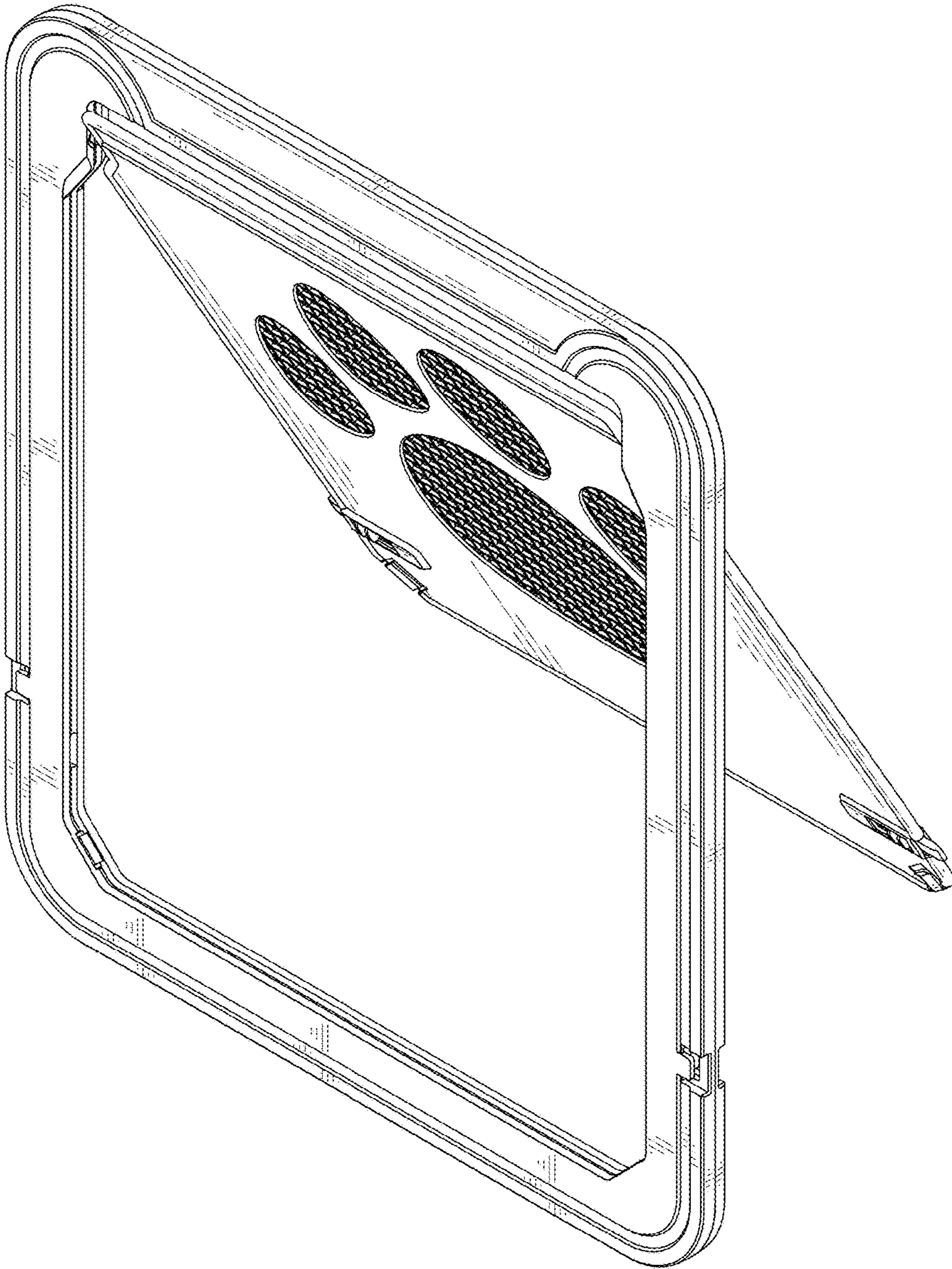


FIG. 9