



US00D849268S

(12) **United States Design Patent**  
**Tsukii**

(10) **Patent No.:** **US D849,268 S**

(45) **Date of Patent:** **\*\* May 21, 2019**

(54) **BUILDING**

(71) Applicant: **Toshikazu Tsukii**, Oro Valley, AZ (US)

(72) Inventor: **Toshikazu Tsukii**, Oro Valley, AZ (US)

(\*\*) Term: **15 Years**

(21) Appl. No.: **29/647,686**

(22) Filed: **May 15, 2018**

(51) **LOC (11) Cl.** ..... **25-03**

(52) **U.S. Cl.**  
USPC ..... **D25/3**

(58) **Field of Classification Search**  
USPC ..... D25/1, 3, 4, 5, 7, 11, 14-16, 18, 19,  
D25/31-33, 56, 62

CPC ..... E04H 1/00-1/12  
See application file for complete search history.

(56) **References Cited**

**U.S. PATENT DOCUMENTS**

D82,067 S *	9/1930	Vary	.....	D25/11
D84,304 S *	6/1931	Smith	.....	D25/11
D150,491 S *	8/1948	Brown	.....	D25/11
D175,815 S *	10/1955	Wideman	.....	D25/31
2,986,241 A *	5/1961	Fuller	.....	E04B 1/19 403/171
D205,217 S *	7/1966	Rock	.....	D25/1
D207,305 S *	4/1967	Sorenson	.....	D25/11
D220,684 S *	5/1971	Page	.....	D25/18
D245,174 S *	7/1977	Cosentino	.....	D25/11

5,979,121 A \* 11/1999 Bennington ..... E04H 1/02  
244/115

D809,155 S \* 1/2018 Balzer ..... D25/11  
2015/0225973 A1\* 8/2015 Patoine ..... E04H 1/12  
244/118.2

\* cited by examiner

*Primary Examiner* — Brett Miller

(74) *Attorney, Agent, or Firm* — Eugene Vamos

(57) **CLAIM**

The ornamental design for an building, as shown and described.

**DESCRIPTION**

FIG. 1 is a front right perspective view of an building showing my new design;

FIG. 2 is a back right perspective view thereof;

FIG. 3 is a front left perspective view thereof;

FIG. 4 is a back left perspective view thereof;

FIG. 5 is a front elevation view thereof;

FIG. 6 is a back elevation view thereof;

FIG. 7 is a left side elevation view thereof;

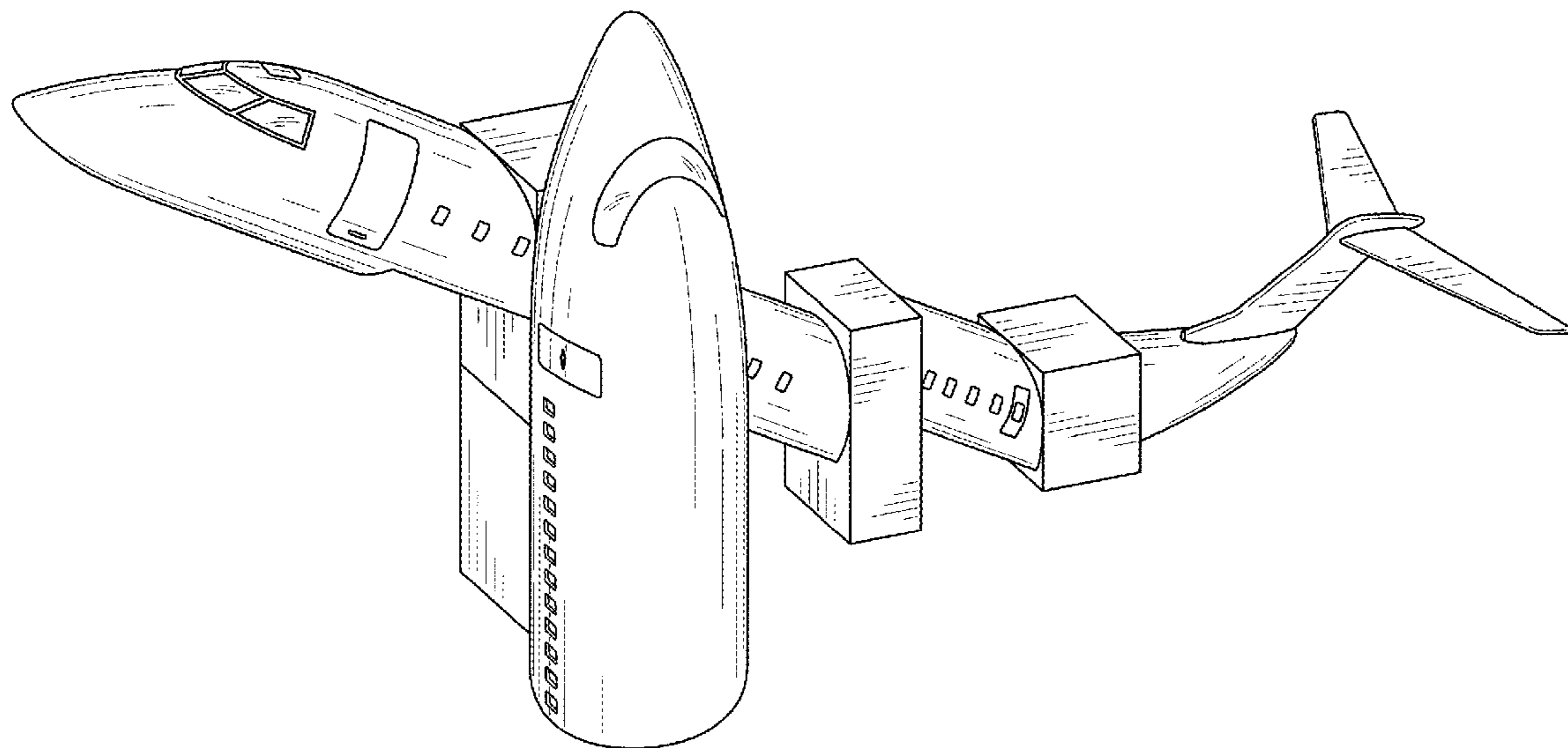
FIG. 8 is a right side elevation view thereof;

FIG. 9 is a top plan view thereof; and,

FIG. 10 is a bottom plan view thereof.

The broken lines are for environmental purposes only and form no part of the claimed design.

**1 Claim, 9 Drawing Sheets**



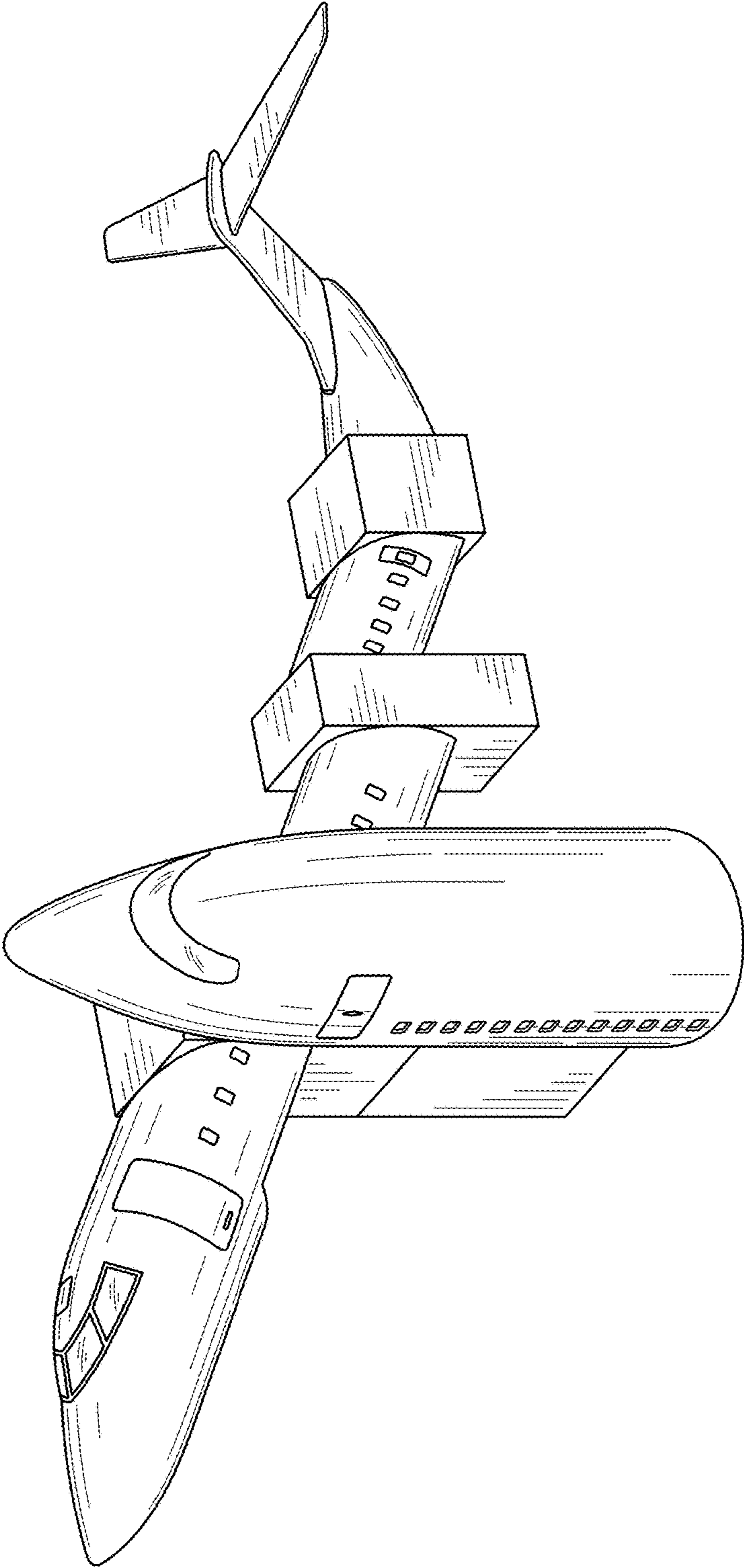


FIG. 1

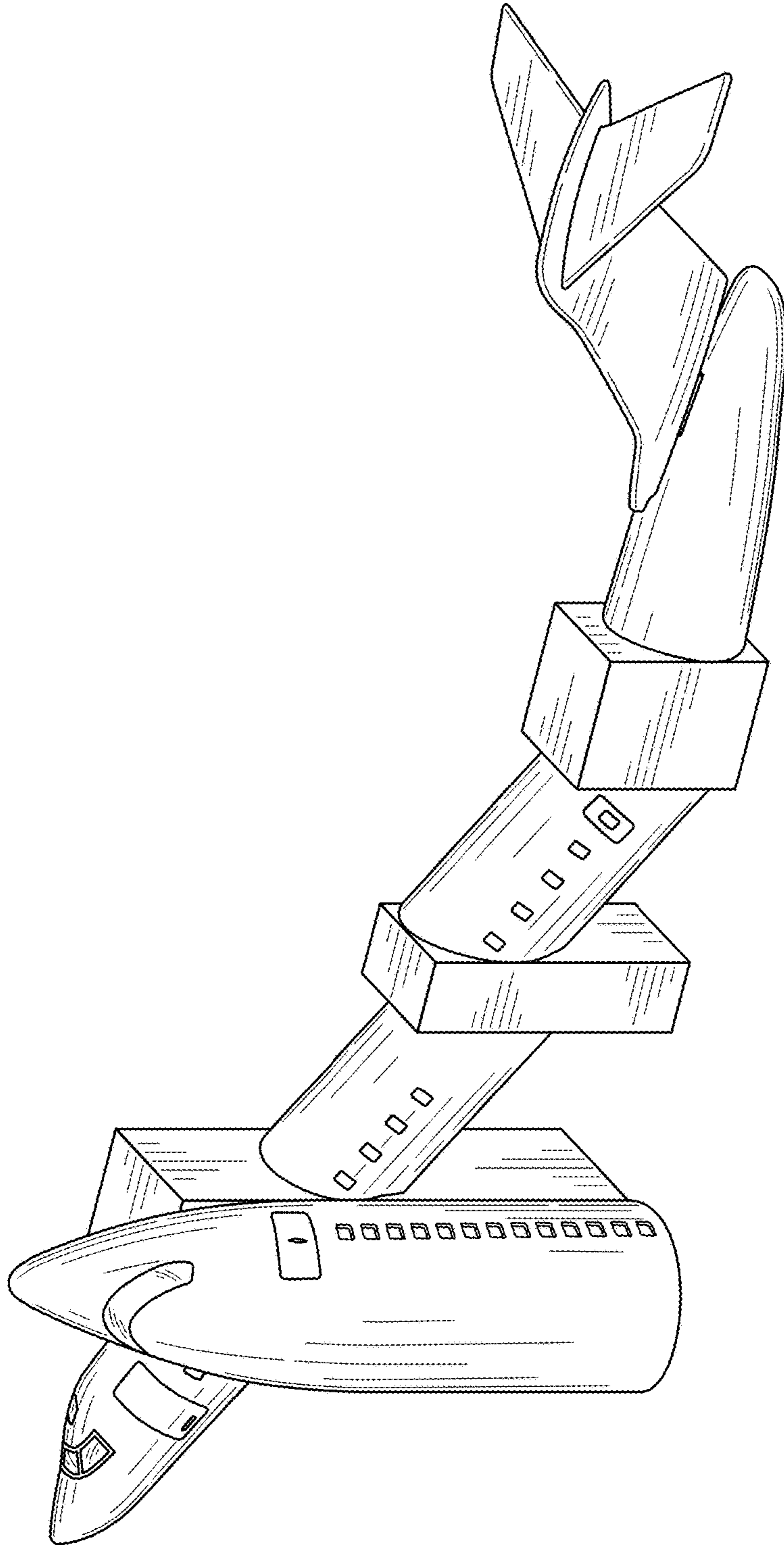


FIG. 2

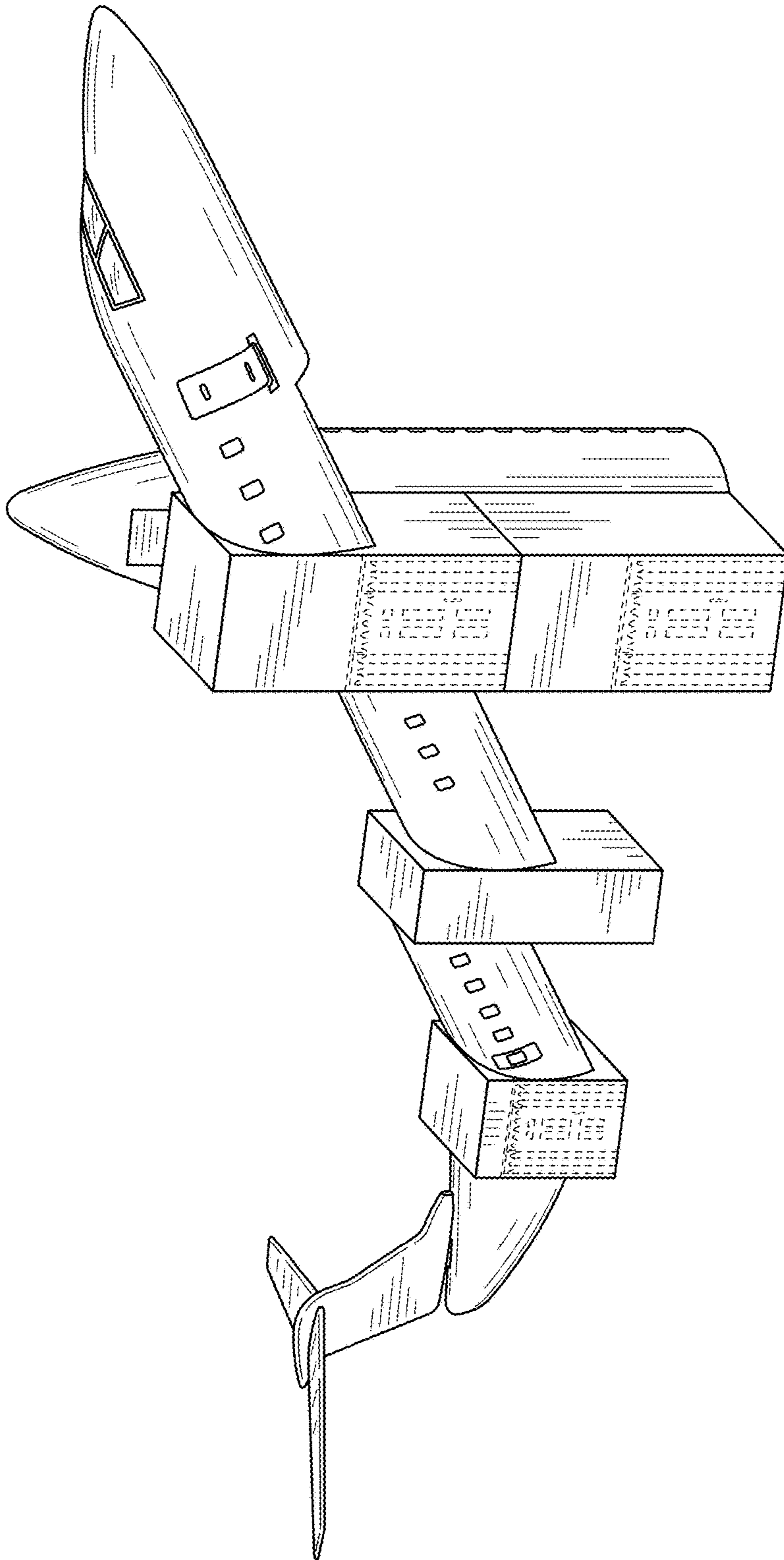


FIG. 3

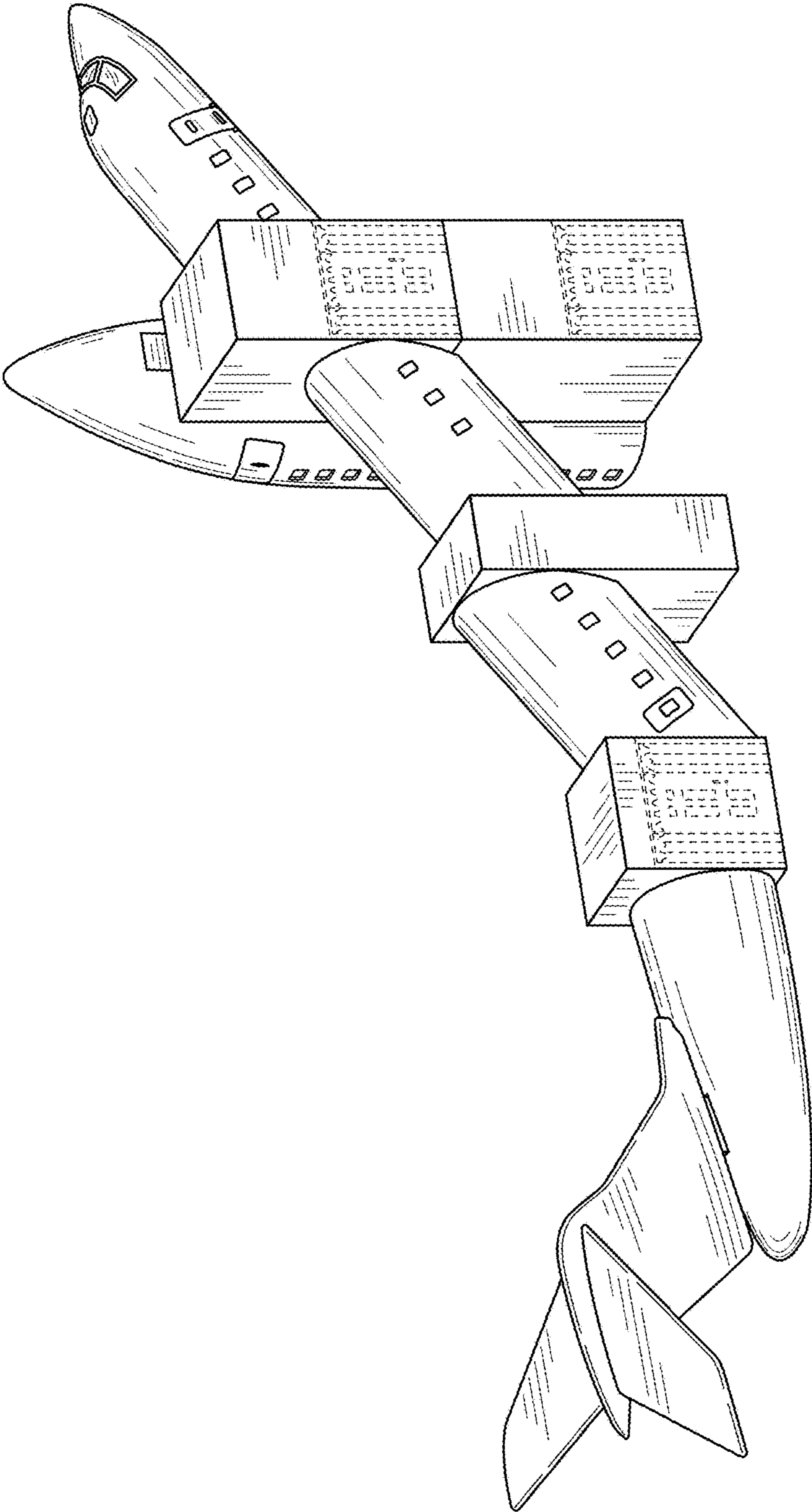


FIG. 4

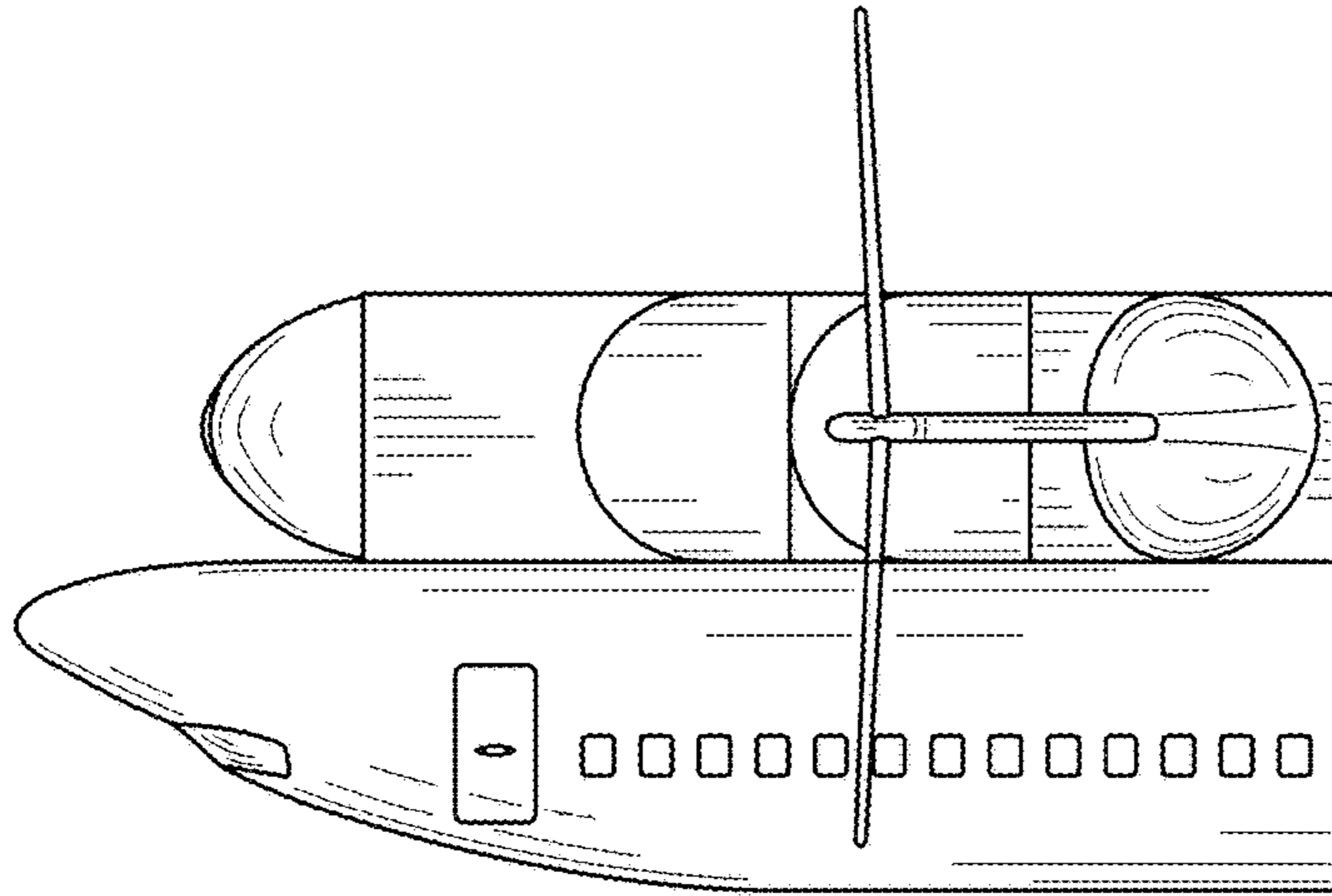


FIG. 6

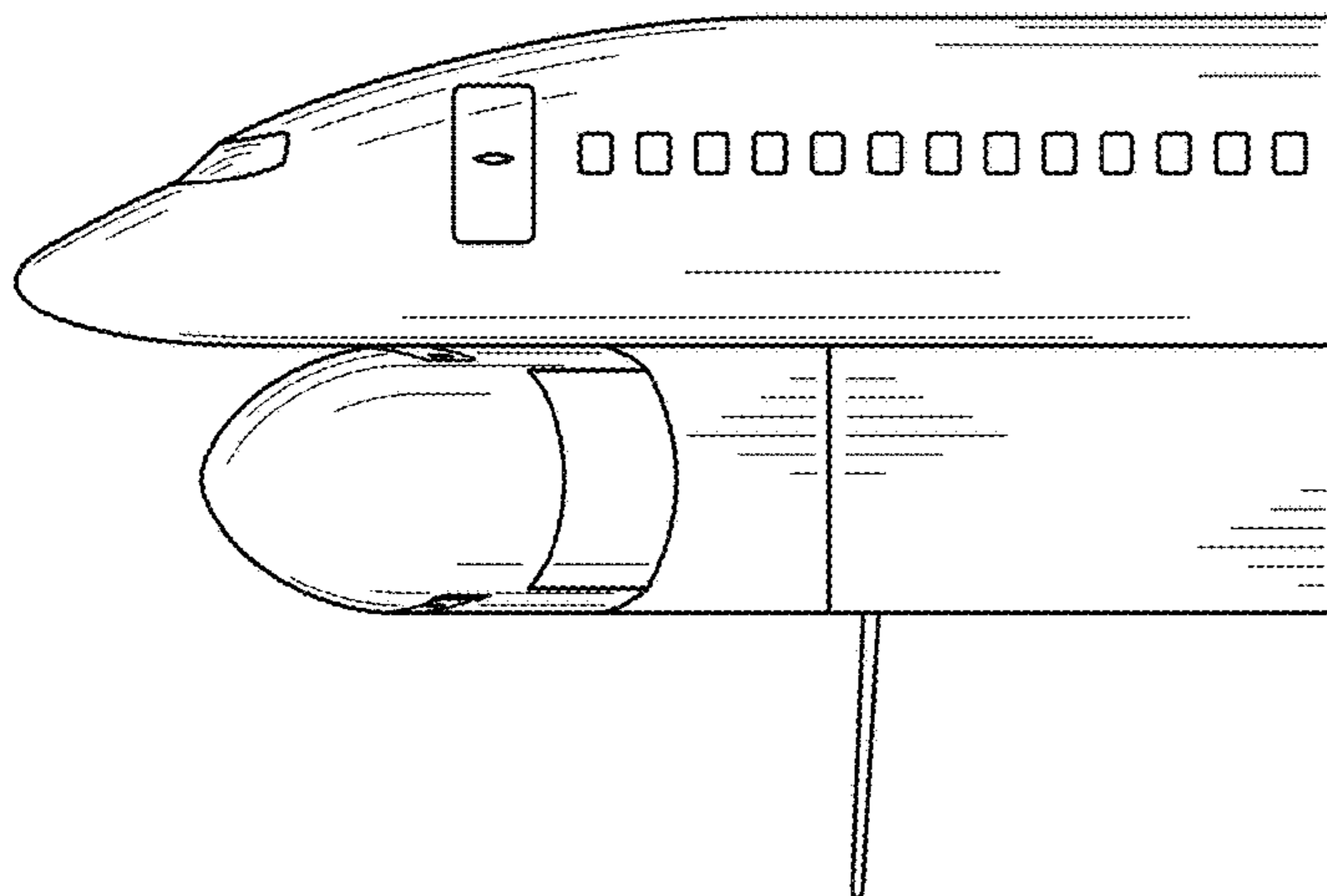


FIG. 5

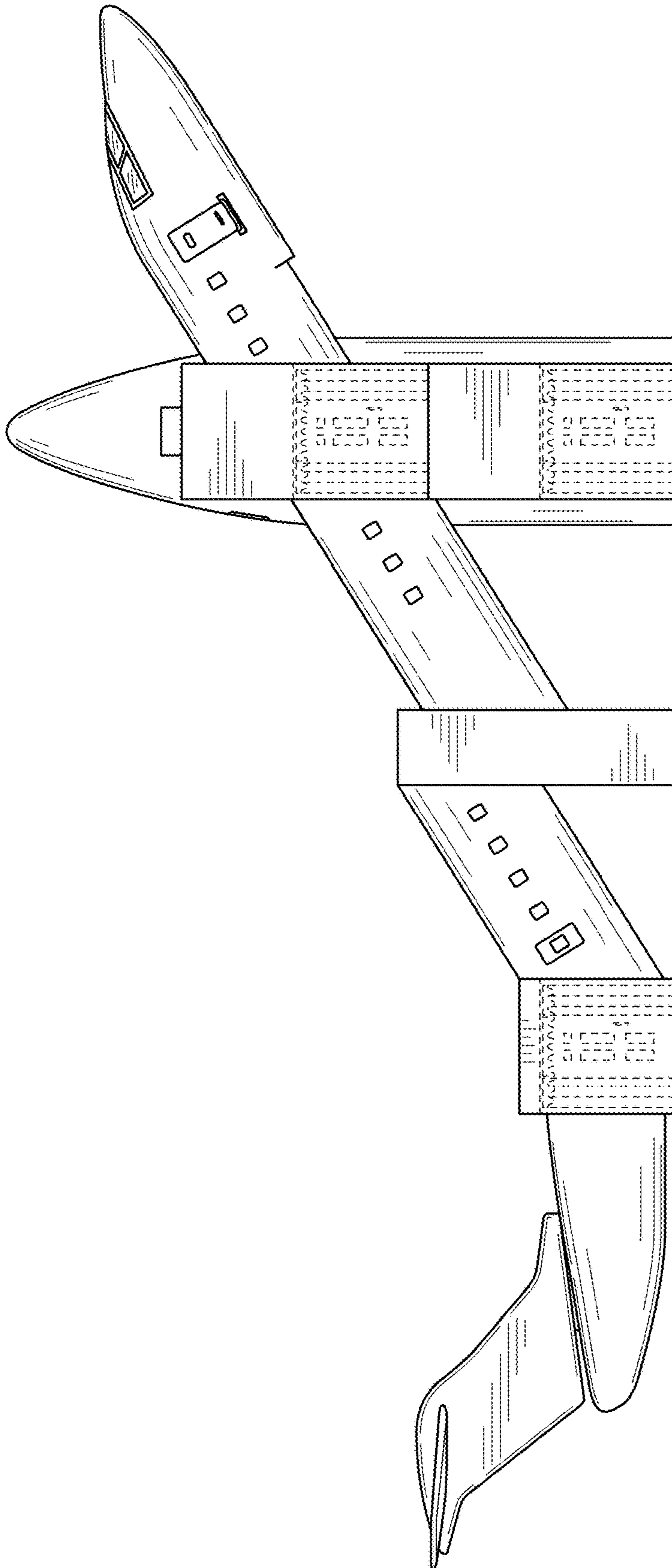


FIG. 7

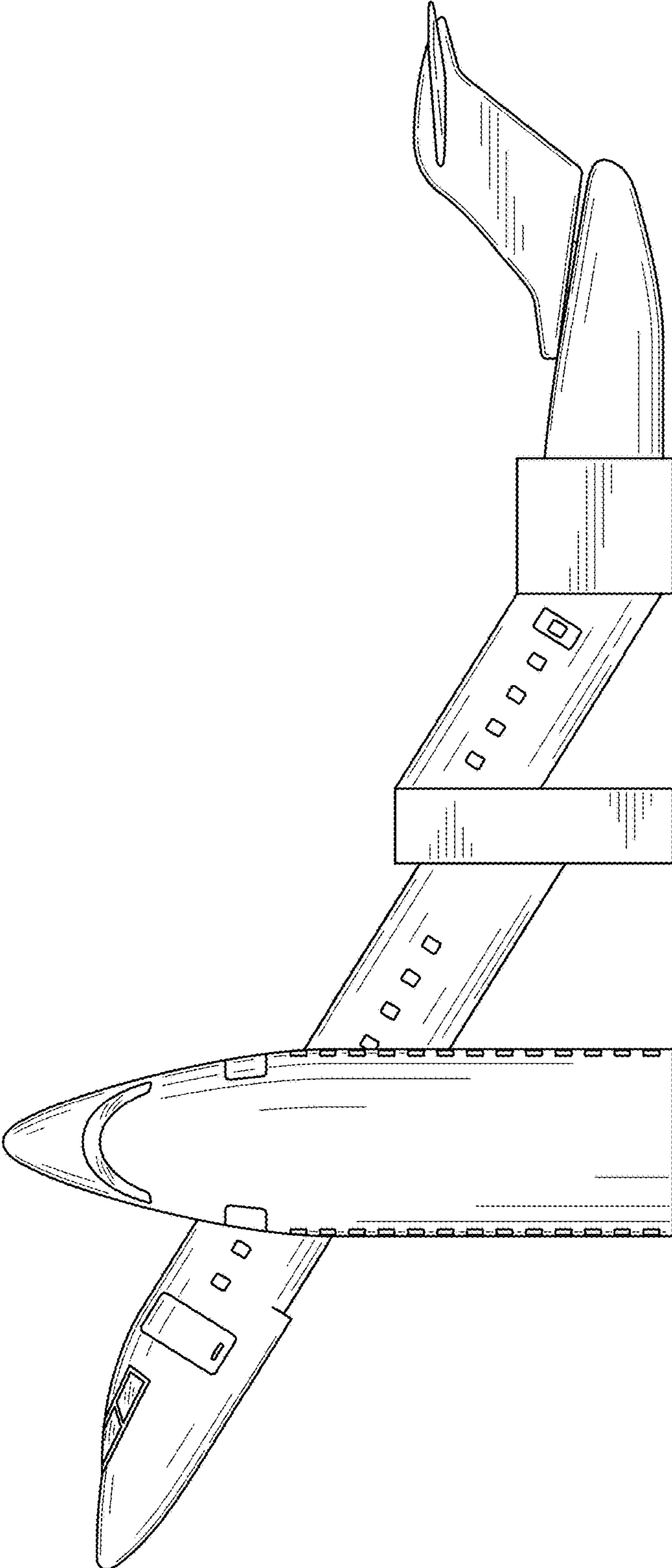


FIG. 8



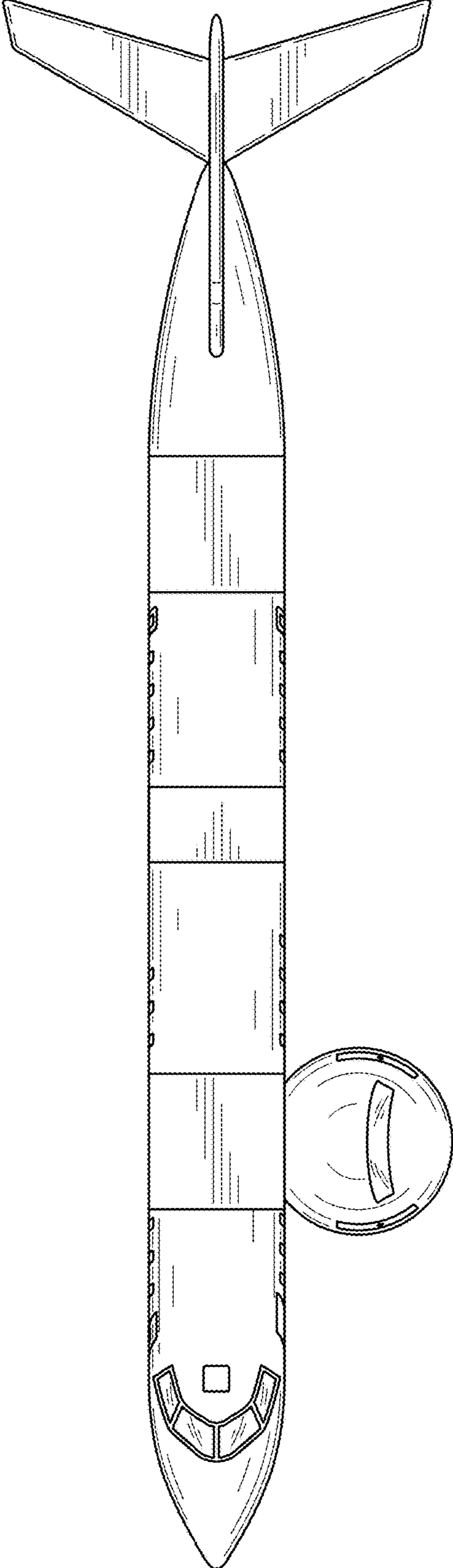


FIG. 9

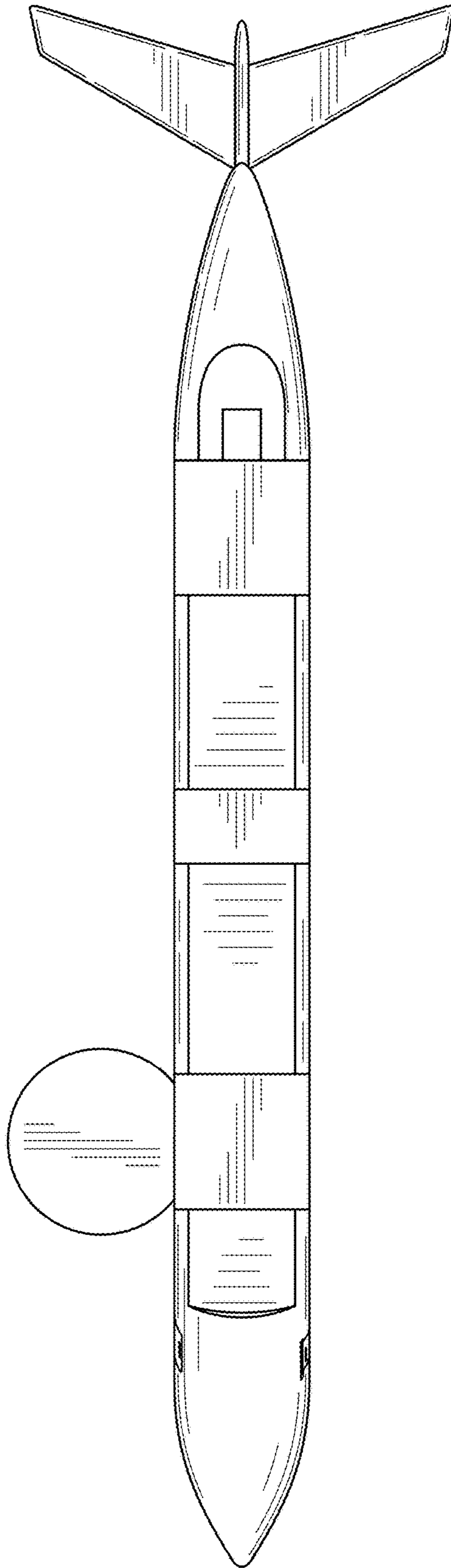


FIG. 10