



US00D849267S

(12) **United States Design Patent** (10) **Patent No.:** **US D849,267 S**
Rokitta (45) **Date of Patent:** **** May 21, 2019**

(54) **MIXING DEVICE FOR BONE CEMENT**

(71) Applicant: **Heraeus Medical GmbH, Wehrheim (DE)**

(72) Inventor: **Hermann Josef Rokitta, Mühlheim an der Ruhr (DE)**

(73) Assignee: **HERAEUS MEDICAL GMBH, Wehrheim (DE)**

(**) Term: **15 Years**

(21) Appl. No.: **29/581,710**

(22) Filed: **Oct. 21, 2016**

(30) **Foreign Application Priority Data**

Apr. 25, 2016 (DE) 40 2016 201 648

(51) **LOC (11) Cl.** **24-99**

(52) **U.S. Cl.**
USPC **D24/232**

(58) **Field of Classification Search**
USPC D8/24, 29.1, 30, 316; D13/123, 133;
D14/349; D15/122-126, 134, 142, 143,
D15/144, 144.1, 144.2, 147-149, 199;
D21/532, 721; D24/181, 216, 220, 229,
D24/232

CPC B01F 7/00; B01F 7/00583; B01F 13/06;
A61C 9/0026

See application file for complete search history.

(56) **References Cited**

U.S. PATENT DOCUMENTS

6,120,174 A * 9/2000 Hoag A61B 17/8825
366/139
D460,093 S * 7/2002 Ochiai D15/148
D662,745 S * 7/2012 Zalewski D6/552
9,861,943 B2 * 1/2018 Vogt B01F 3/1271
2012/0026825 A1 * 2/2012 Vogt A61B 17/8833
366/176.3
2016/0324559 A1 * 11/2016 Vogt A61B 17/8833

2016/0354129 A1 * 12/2016 Vogt A61B 17/8833
2017/0095283 A1 * 4/2017 Vogt B01F 11/0054
2017/0157578 A1 * 6/2017 Vogt B01F 13/06
2017/0157579 A1 * 6/2017 Vogt B01F 13/06

(Continued)

FOREIGN PATENT DOCUMENTS

CA 2934730 A1 * 1/2017 A61B 17/8827
EP 3178545 A1 * 6/2017

OTHER PUBLICATIONS

Palacos R+G pro brochure. posted on surgicalinnovations.co.nz, posted Jul. 2016, no production date given, [online], [site visited Apr. 17, 2018], Available from Internet, URL: http://surgicalinnovations.co.nz/wp-content/uploads/2016/07/PALACOS_RG_pro_Flyer_INT.pdf (Year: 2016).*

Primary Examiner — Garth Rademaker

Assistant Examiner — Fritzgerald L Butac

(74) *Attorney, Agent, or Firm* — Norris McLaughlin, P.A.

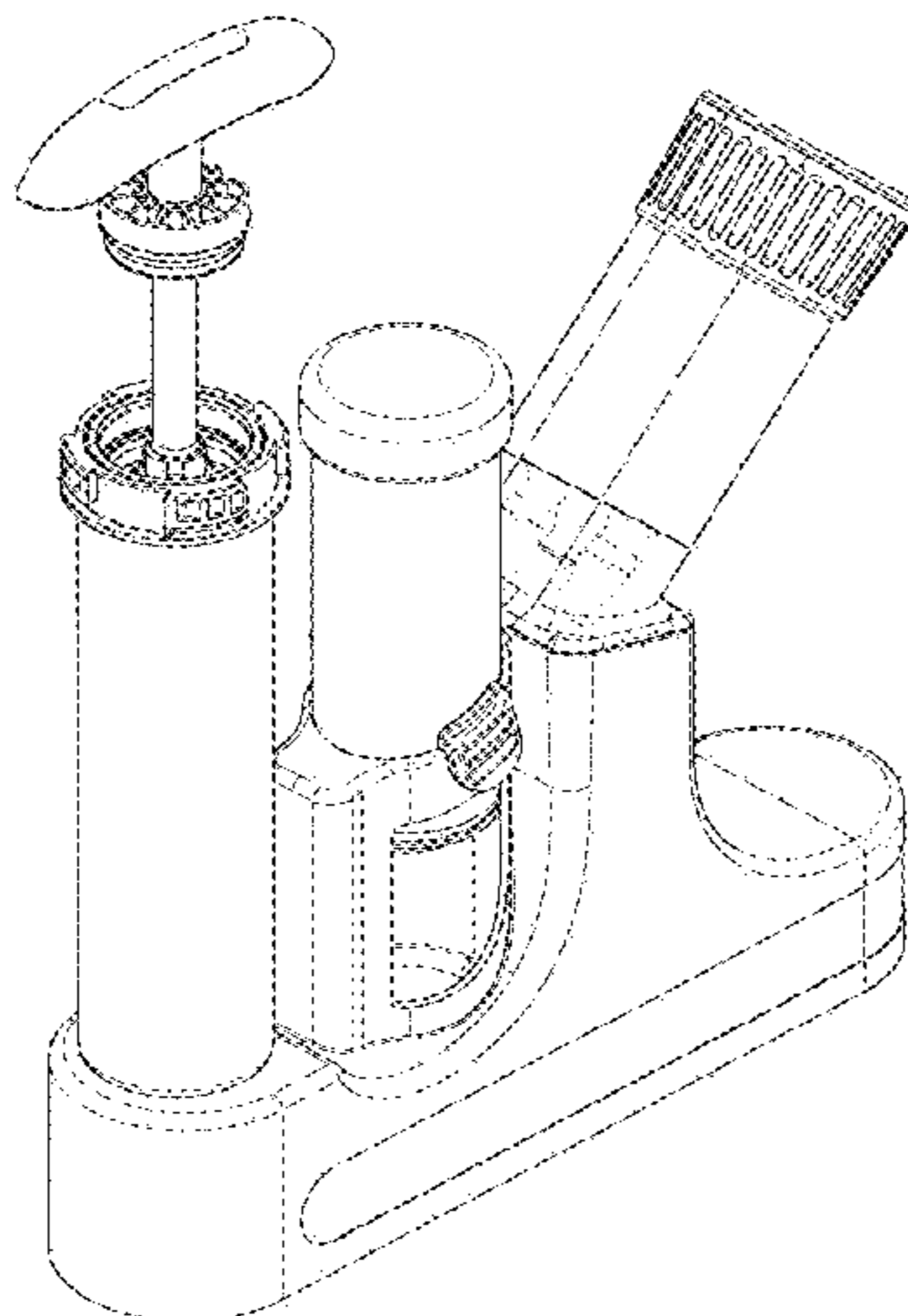
(57) **CLAIM**

The ornamental design for a mixing device for bone cement, as shown and described.

DESCRIPTION

FIG. 1 is a front, perspective view of the design of our mixing device for bone cement;
FIG. 2 is a rear, perspective view of the design thereof;
FIG. 3 is a left side elevational view of the design thereof;
FIG. 4 is a right side elevational view of the design thereof;
FIG. 5 is a rear elevational view of the design thereof;
FIG. 6 is a front elevational view of the design thereof;
FIG. 7 is a top plan view of the design thereof; and,
FIG. 8 is a bottom plan view of the design thereof.
The broken lines show portions of a mixing device for bone cement that form no part of the claimed design.

1 Claim, 6 Drawing Sheets



(56)

References Cited

U.S. PATENT DOCUMENTS

2017/0291153 A1* 10/2017 Vogt A61B 17/8833
2017/0354939 A1* 12/2017 Vogt A61B 17/8833
2017/0354942 A1* 12/2017 Vogt A61B 17/8833

* cited by examiner

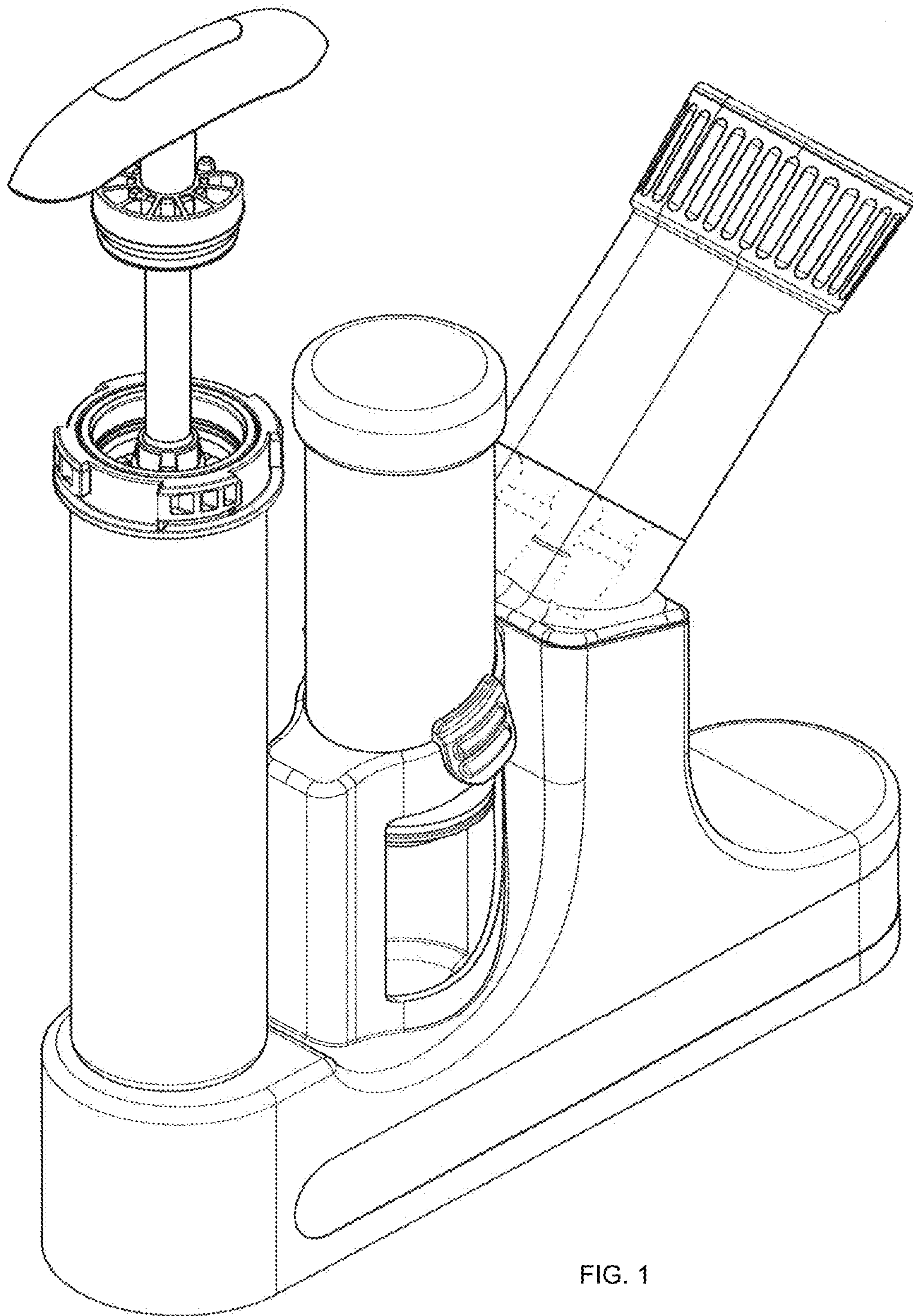


FIG. 1

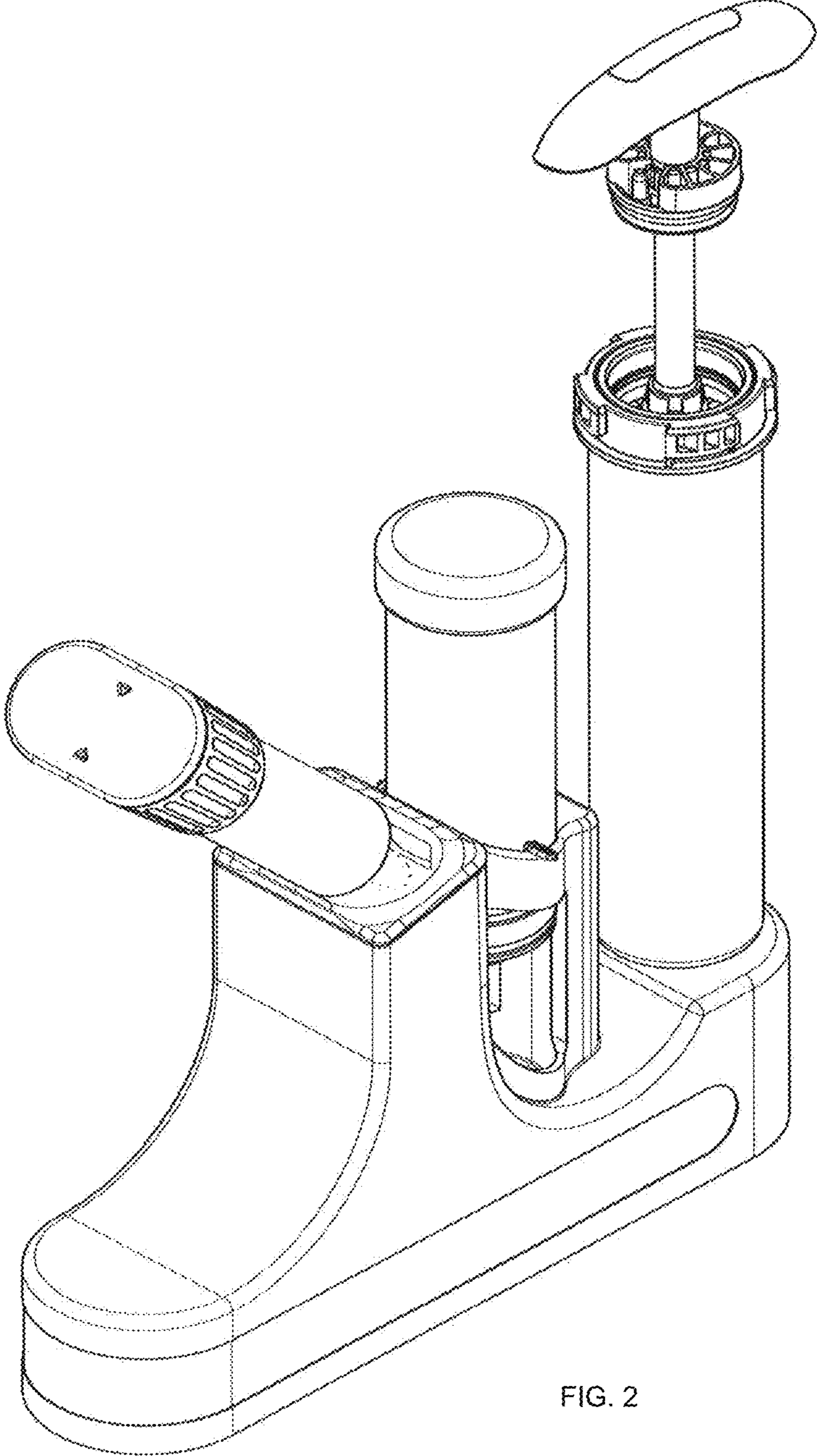


FIG. 2

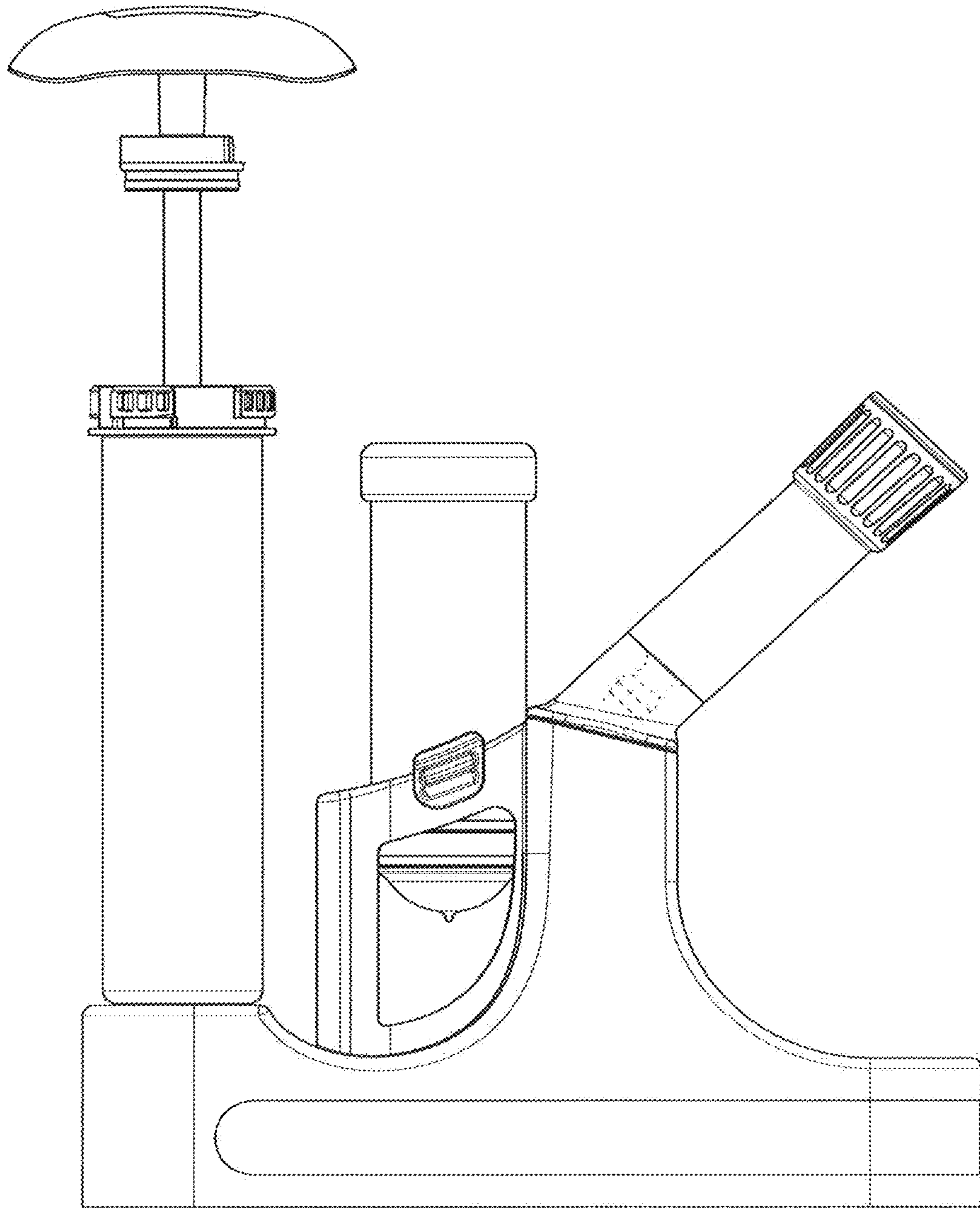


FIG. 3

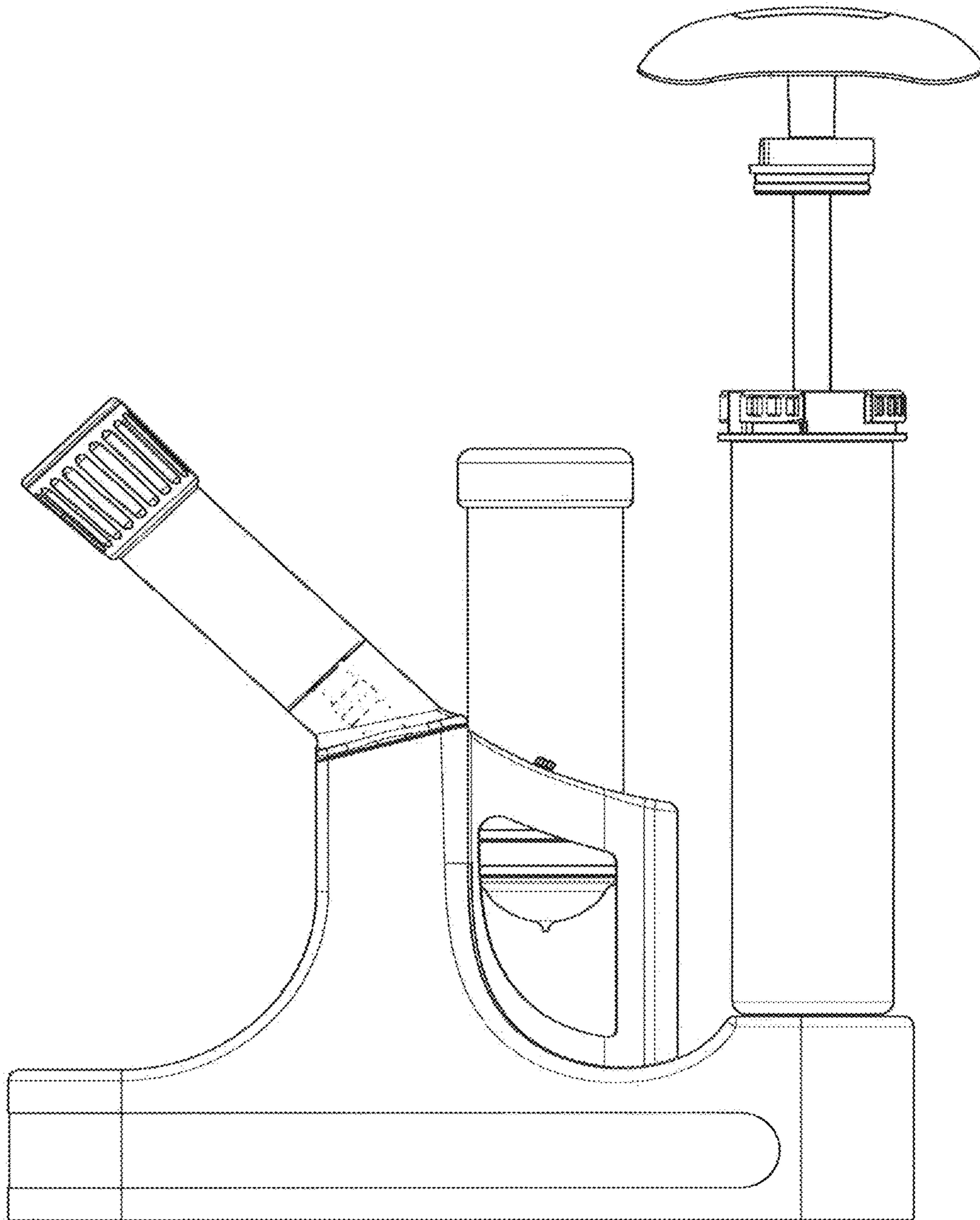


FIG. 4

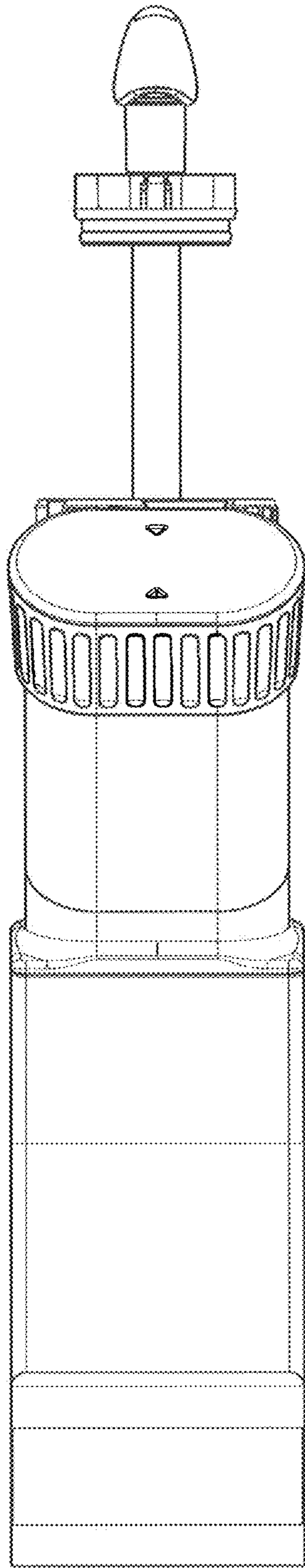


FIG. 5

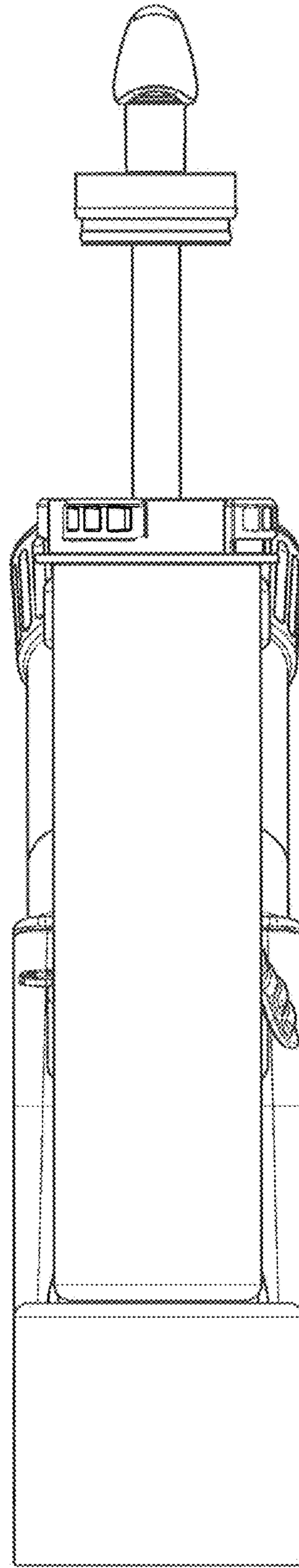


FIG. 6

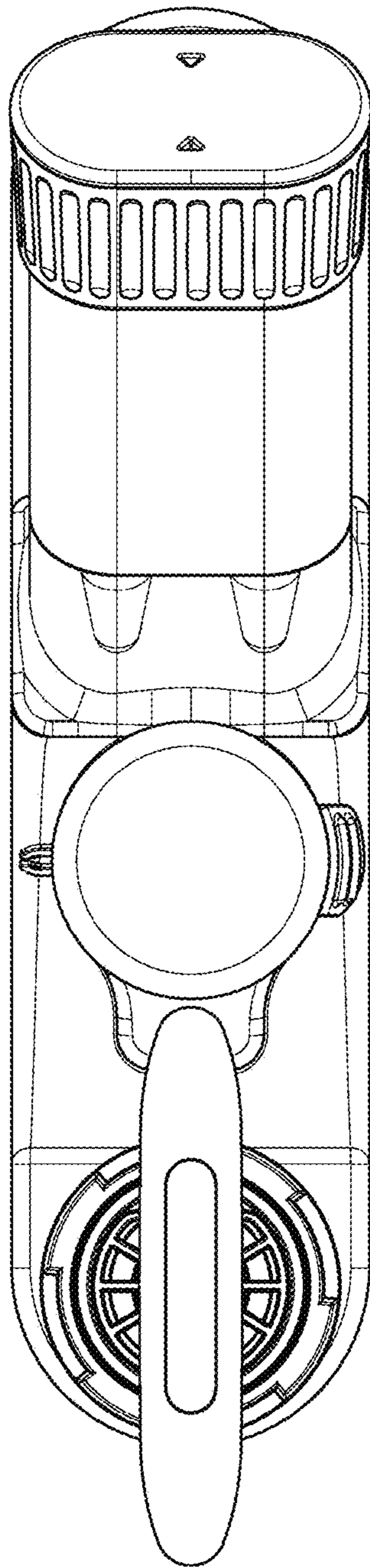


FIG. 7

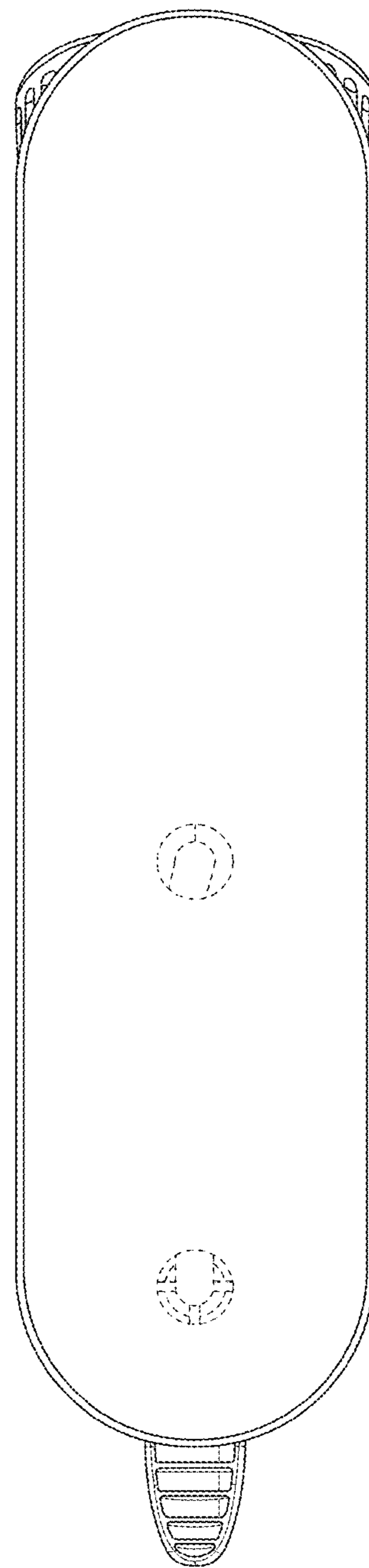


FIG. 8