



US00D849266S

(12) **United States Design Patent** (10) **Patent No.:** **US D849,266 S**
Higgins (45) **Date of Patent:** **** May 21, 2019**

(54) **HOLDER FOR A SAMPLE CONTAINER**
(71) Applicant: **Exact Sciences Corporation**, Madison, WI (US)
(72) Inventor: **Timothy E. Higgins**, Madison, WI (US)
(73) Assignee: **Exact Sciences Corporation**, Madison, WI (US)

(**) Term: **15 Years**

(21) Appl. No.: **29/555,468**

(22) Filed: **Feb. 22, 2016**

(51) **LOC (11) Cl.** **24-02**

(52) **U.S. Cl.**
USPC **D24/227**

(58) **Field of Classification Search**
USPC D24/216, 217, 219, 220, 223, 224, 225, D24/226, 227, 232, 233; D7/605, 608, D7/619.1, 622, 629, 630
CPC . A61B 50/20; A61B 50/30; A61J 1/00; B01L 3/50; B01L 3/52; B01L 7/00; B01L 7/02; C07K 1/26; C12Q 1/00
See application file for complete search history.

(56) **References Cited**

U.S. PATENT DOCUMENTS

6,580,056 B1 * 6/2003 Tacha B01L 7/00 219/440
D530,141 S * 10/2006 Wilgus D7/313

D540,626 S * 4/2007 Janky D7/608
D546,131 S * 7/2007 Morales D7/608
D599,606 S * 9/2009 Wakita D7/306
D658,307 S * 4/2012 Recchi D24/216
D722,474 S * 2/2015 Seiders D32/53
D787,696 S * 5/2017 Schmieta D24/216
D812,981 S * 3/2018 Cooper D7/608
D815,751 S * 4/2018 Tominaga D24/219
D828,727 S * 9/2018 Tschopp D7/605
2017/0239651 A1 * 8/2017 Higgins B01L 3/508

* cited by examiner

Primary Examiner — Vy N Koenig

(74) *Attorney, Agent, or Firm* — Casimir Jones, S.C.;
Mary Ann D. Brow

(57) **CLAIM**

The ornamental design for a holder for a sample container, as shown and described.

DESCRIPTION

FIG. 1 is a left side elevational view showing our new design;
FIG. 2 is a front elevational view thereof;
FIG. 3 is a right side elevational view thereof;
FIG. 4 is a rear elevational view thereof;
FIG. 5 is a top plan view thereof;
FIG. 6 is a bottom plan view thereof;
FIG. 7 is a top perspective view thereof; and,
FIG. 8 is a bottom perspective view thereof.
The broken lines in the drawings depict portions of the holder for a sample container that form no part of the claimed design.

1 Claim, 8 Drawing Sheets

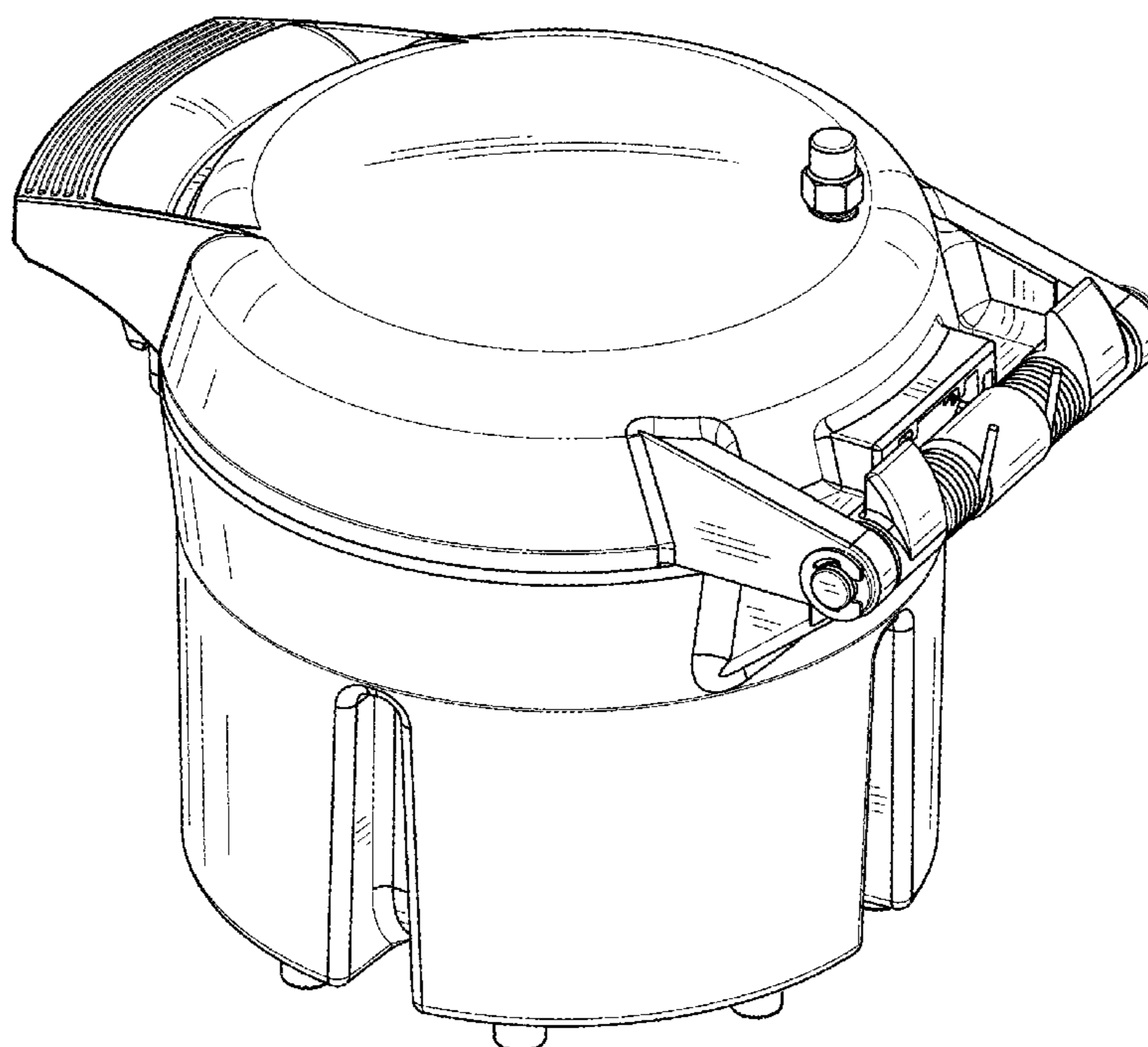


FIG. 1

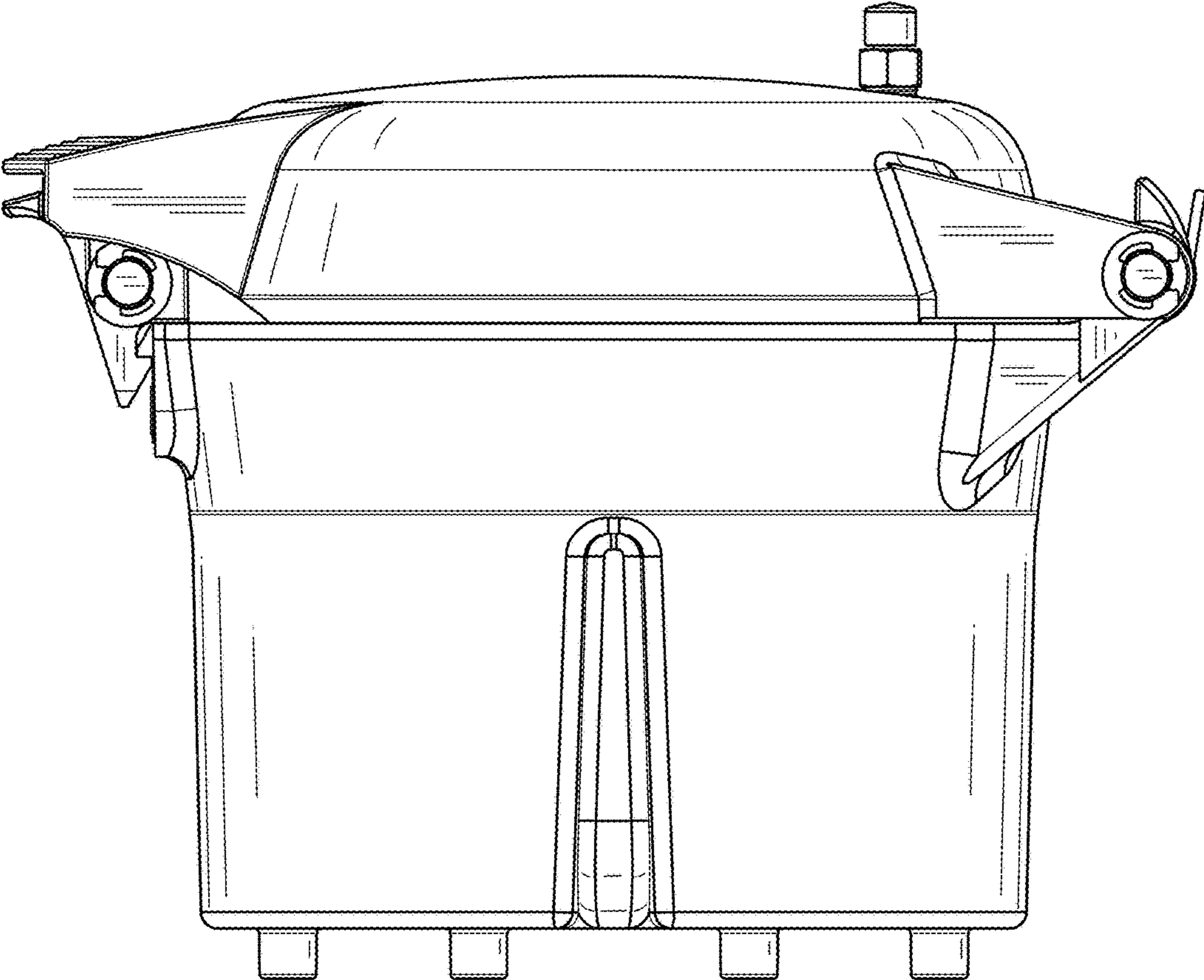


FIG. 2

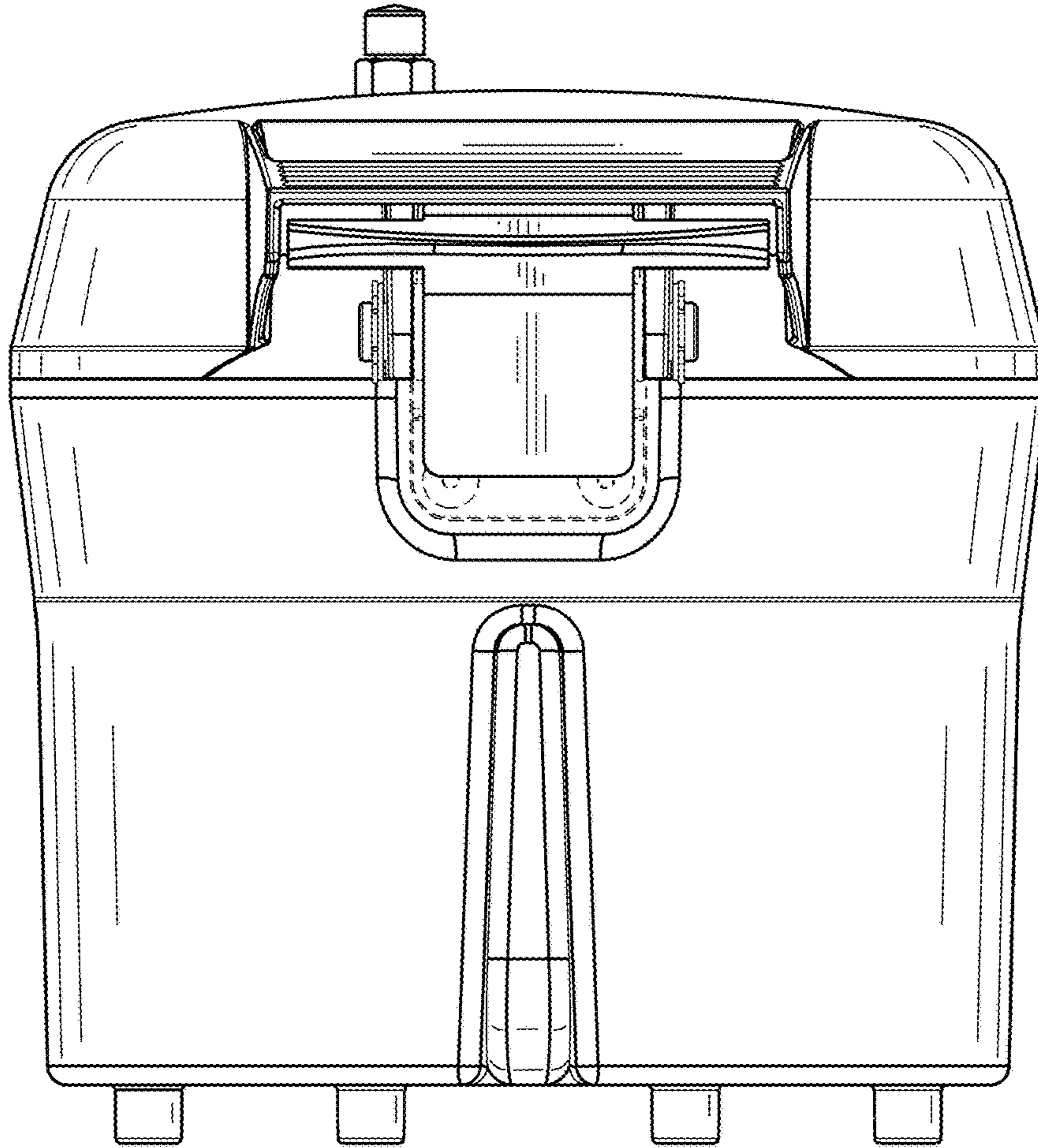


FIG. 3

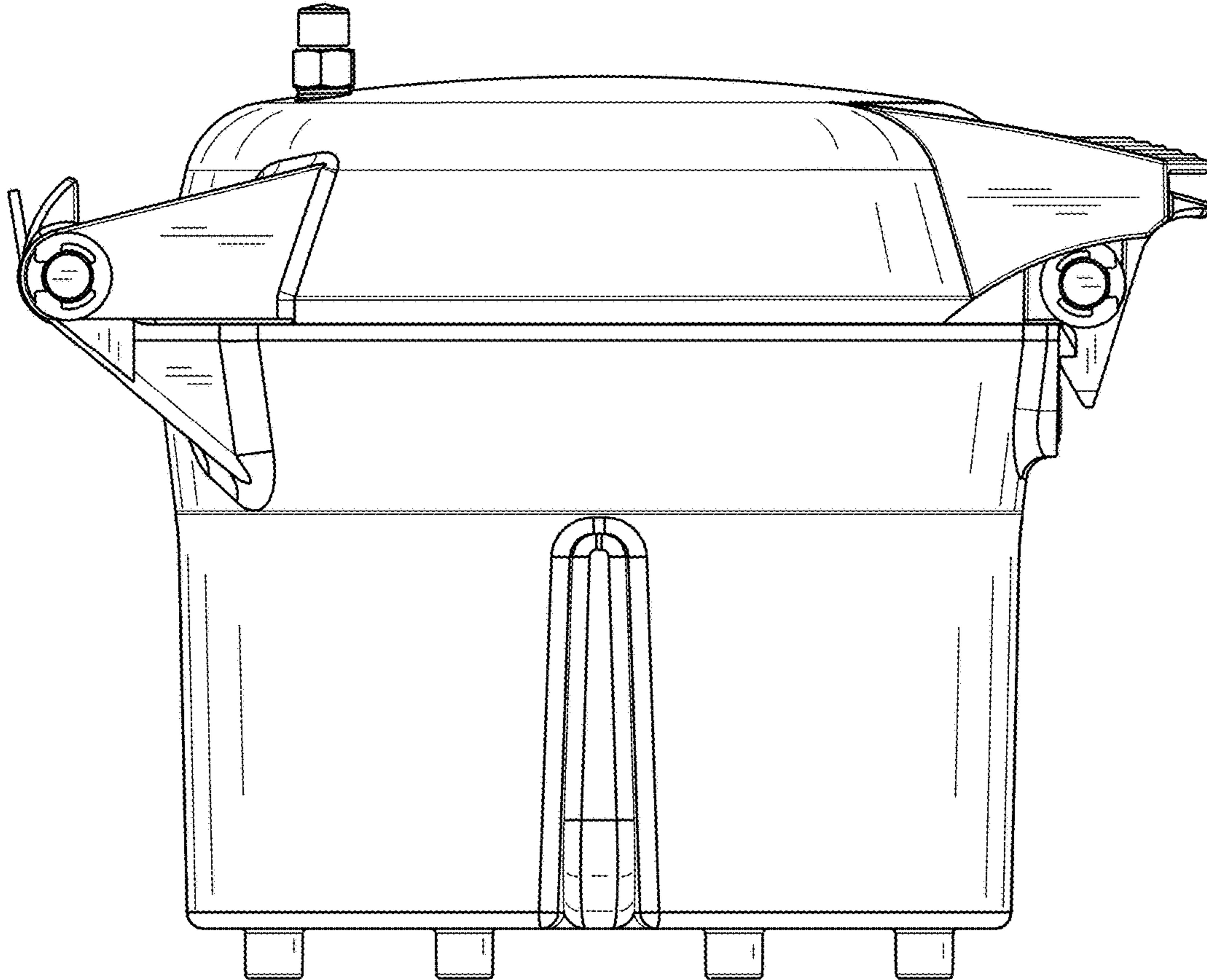


FIG. 4

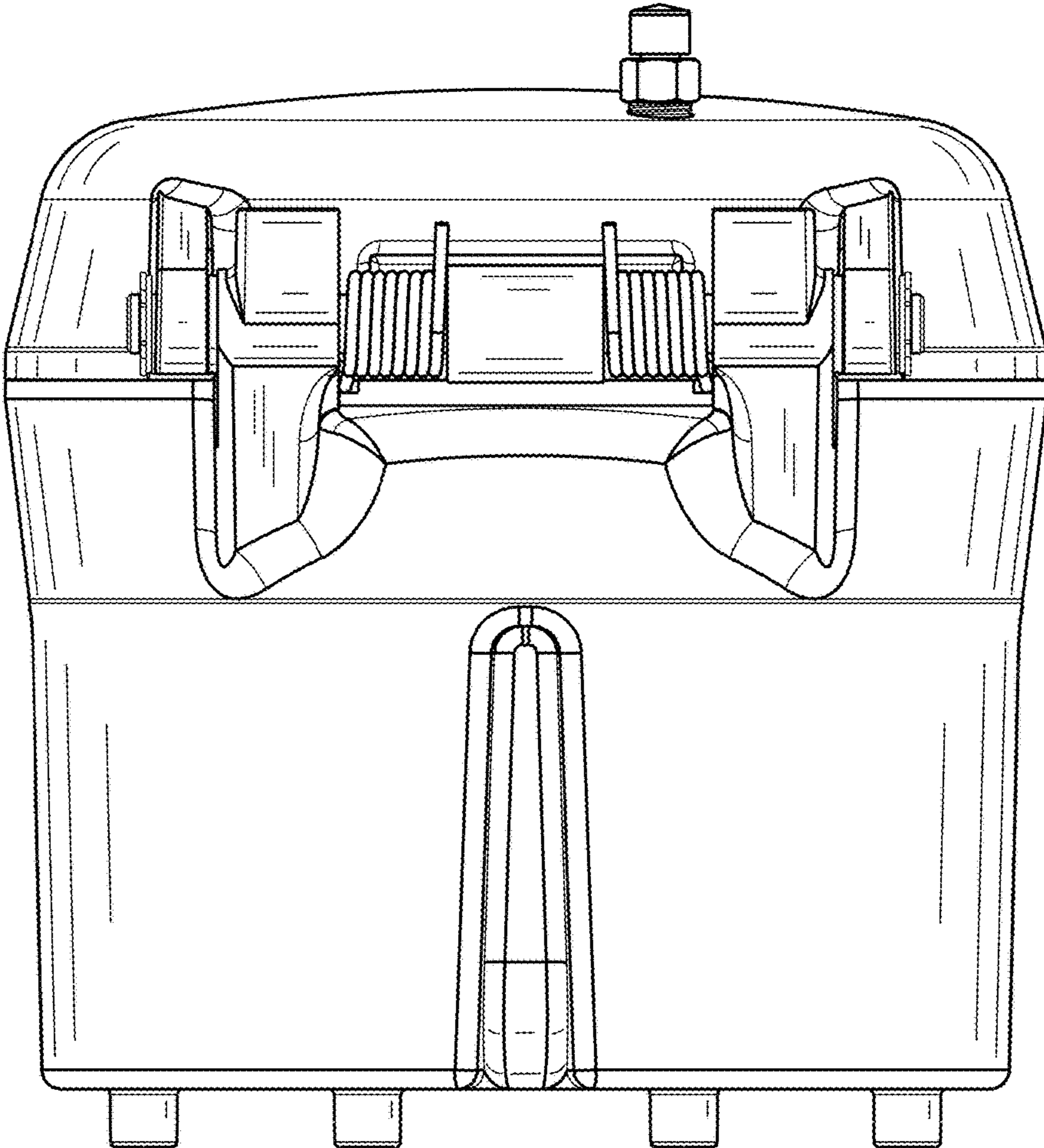


FIG. 5

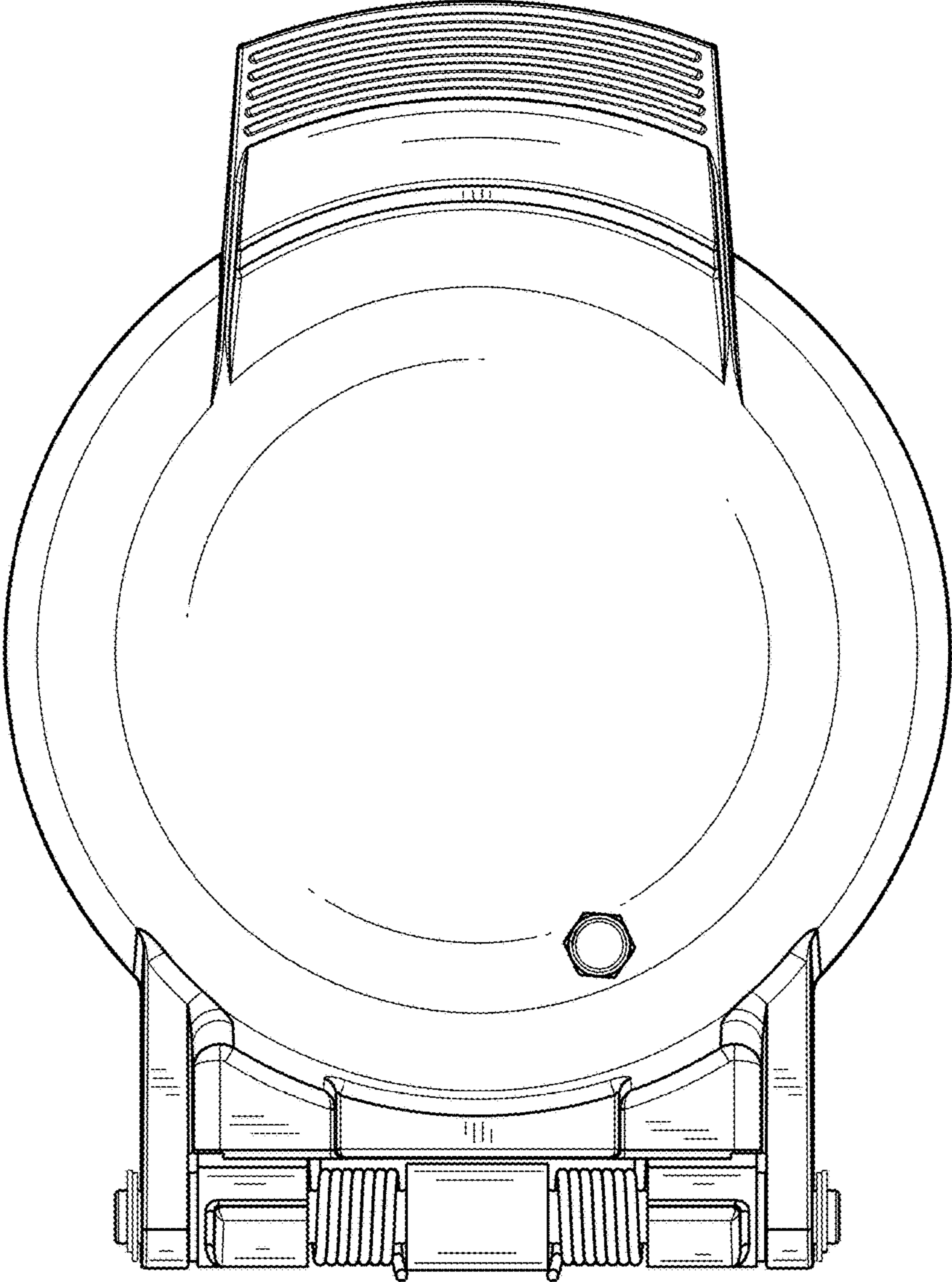


FIG. 6

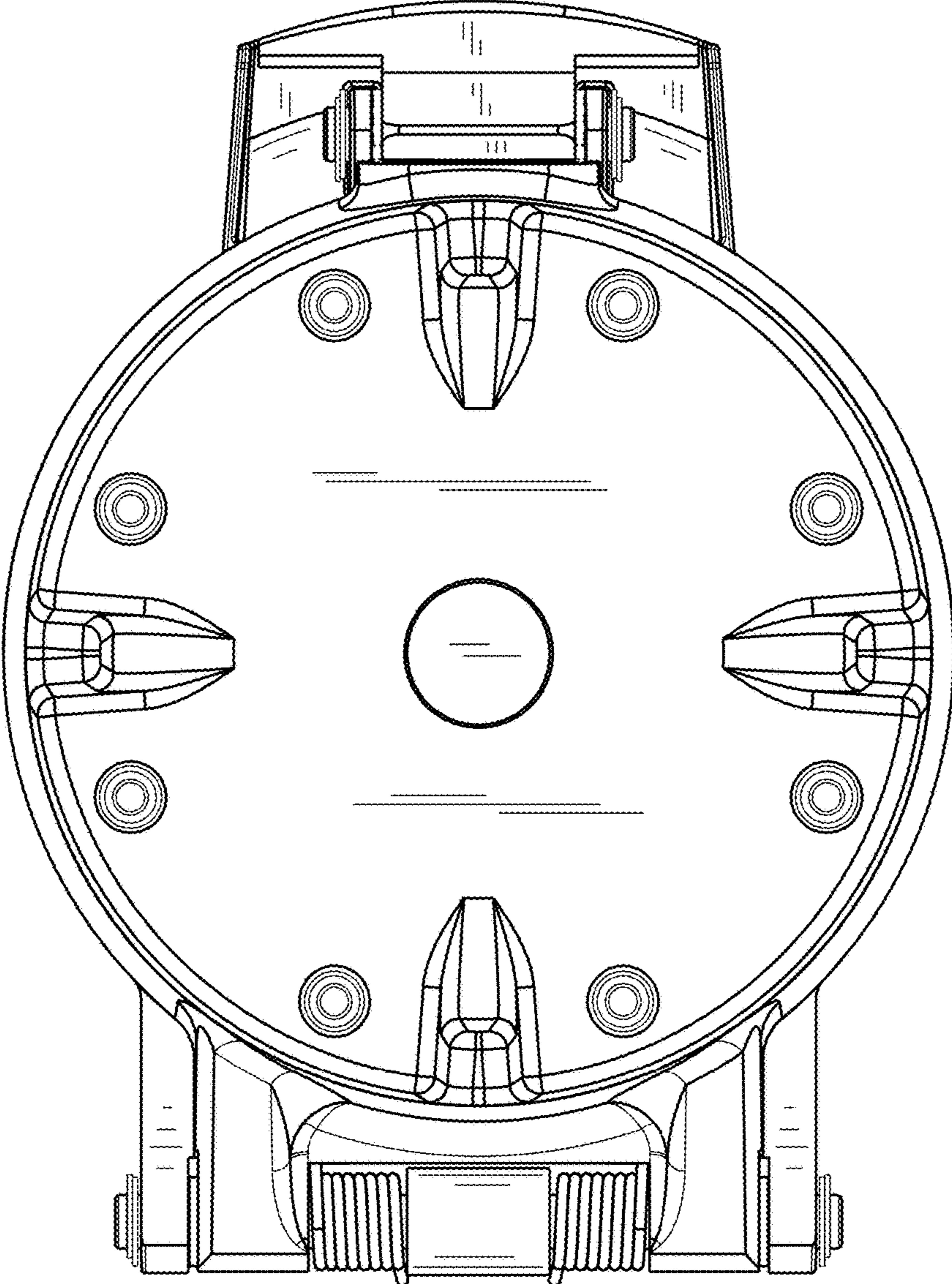


FIG. 7

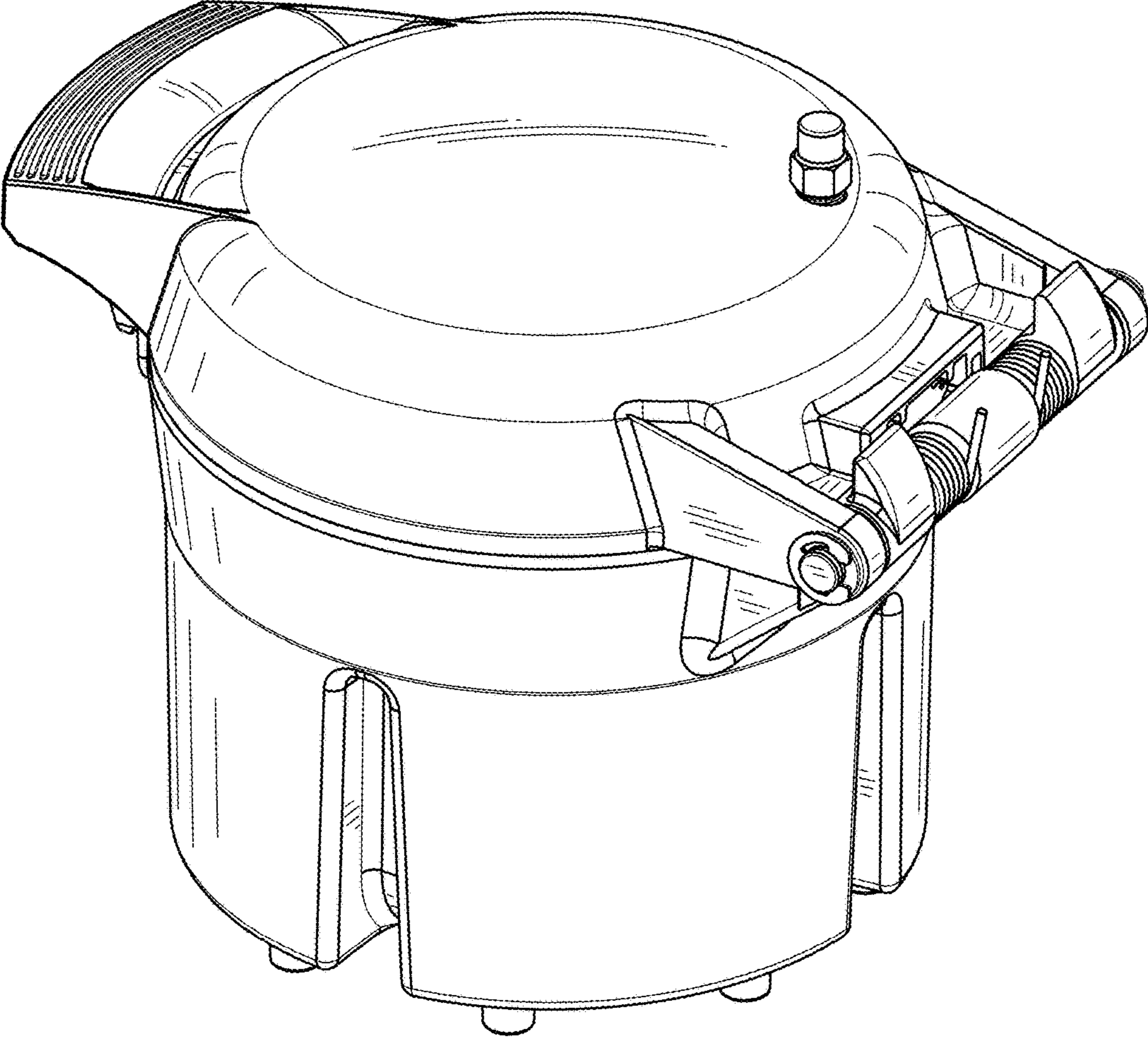


FIG. 8

