

US00D849261S

(12) **United States Design Patent** (10) **Patent No.:** **US D849,261 S**  
**Wersland et al.** (45) **Date of Patent:** **\*\* May 21, 2019**

- (54) **MESSAGE ELEMENT**
- (71) Applicant: **THERAGUN, LLC**, Beverly Hills, CA (US)
- (72) Inventors: **Jason Wersland**, Manhattan Beach, CA (US); **Michael Waldron**, Dunnington (GB); **Geert Ensing**, Shanghai (CN)
- (73) Assignee: **THERAGUN, LLC**, Beverly Hills, CA (US)
- (\*\*) Term: **15 Years**
- (21) Appl. No.: **29/637,060**
- (22) Filed: **Feb. 13, 2018**

**Related U.S. Application Data**

- (63) Continuation-in-part of application No. 15/647,050, filed on Jul. 11, 2017.
- (51) **LOC (11) Cl.** ..... **28-03**
- (52) **U.S. Cl.**  
USPC ..... **D24/211**
- (58) **Field of Classification Search**  
USPC ..... 52/574; 273/153 P, 153 R, 153 S, 157 R, 273/160; 434/211, 259; 600/38; 601/15, 601/18, 19, 27, 28, 29, 30, 31, 32, 46, 47, 601/48, 52, 72, 99, 112, 113, 118, 135, 601/137, DIG. 12, DIG. 14, DIG. 15, 601/DIG. 16, DIG. 17; D21/505; D24/200, 211, 212, 213, 214, 215; D9/434, 443, 454  
CPC ..... A61H 15/00; A61H 2015/0014  
See application file for complete search history.

(56) **References Cited**

**U.S. PATENT DOCUMENTS**

- D192,758 S \* 5/1962 Rijnovan ..... D9/443
- D197,192 S \* 12/1963 Lorenzen ..... D9/443

- D347,282 S \* 5/1994 Yoo ..... D24/200
- D356,035 S \* 3/1995 Kim ..... D9/454
- 5,470,303 A \* 11/1995 Leonard ..... A61H 19/34  
600/38
- D417,008 S \* 11/1999 Chien ..... D24/211
- 7,306,570 B1 \* 12/2007 Julian ..... A61H 7/007  
601/134
- D639,430 S \* 6/2011 Yoo ..... D24/146
- D639,431 S \* 6/2011 Yoo ..... D24/146

(Continued)

**OTHER PUBLICATIONS**

Theragun, "Cone AmpBITs", Feb. 2, 2018. <https://theragun.com/collections/the-g2pro-accessories/products/the-cone-ampbit-3-pack-for-g2pro>. Shown on p. 1. (Year: 2018).\*

*Primary Examiner* — Cynthia Ramirez

*Assistant Examiner* — Michael A Maharajh

(74) *Attorney, Agent, or Firm* — Jeffer Mangels Butler & Mitchell LLP; Brennan C. Swain, Esq.

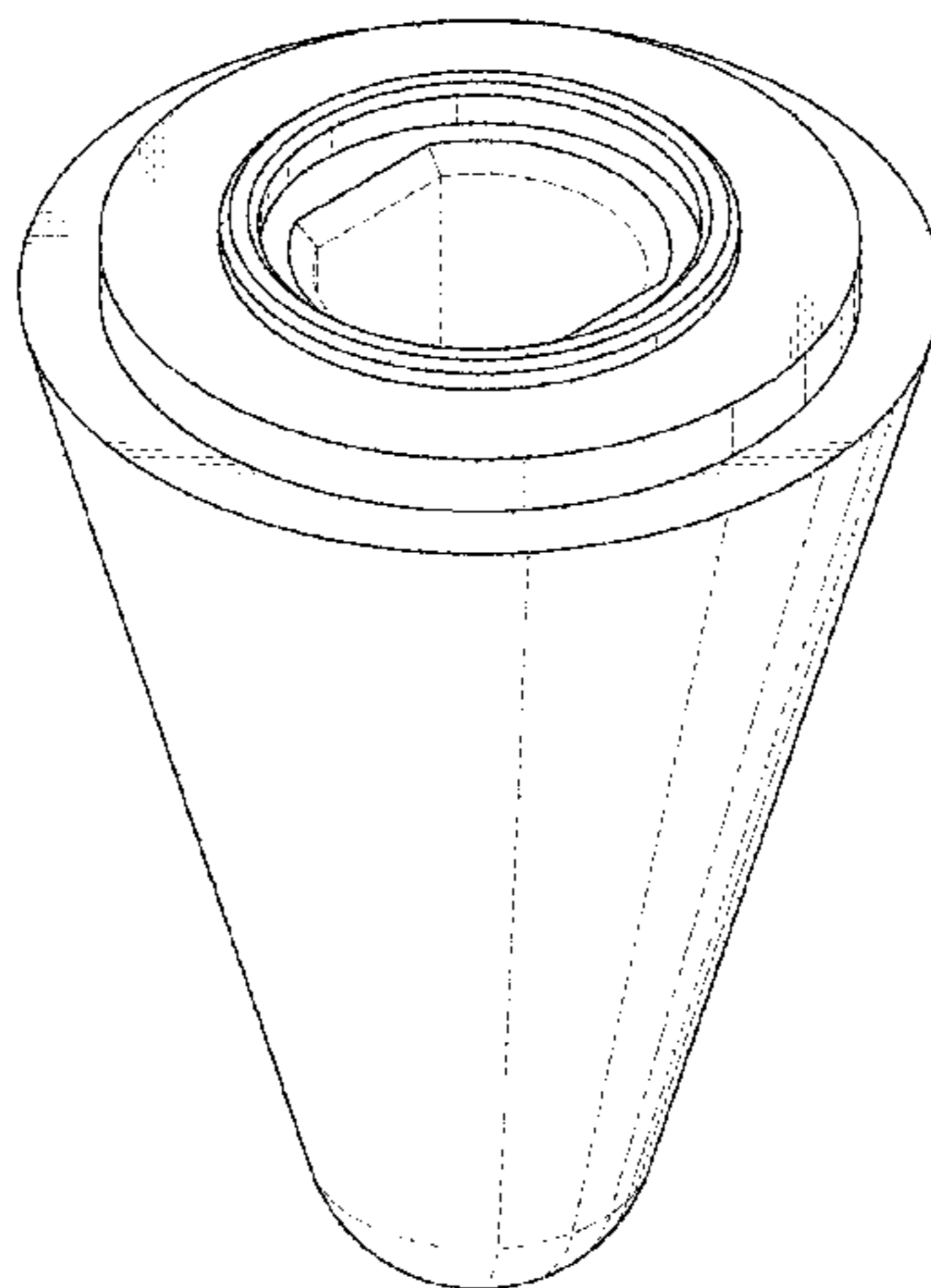
(57) **CLAIM**

The ornamental design for a massage element, as shown and described.

**DESCRIPTION**

FIG. 1 is a perspective view of the present invention;  
 FIG. 2 is a front elevational view of the present invention shown in FIG. 1, the rear, right and left side elevational views being mirror images thereof;  
 FIG. 3 is a top plan view of the present invention shown in FIG. 1;  
 FIG. 4 is a bottom plan view of the present invention shown in FIG. 1; and,  
 FIG. 5 is a front elevational view of the present invention shown in FIG. 2 with a portion shown in cross-section.  
 The broken lines in the figures are for the purpose of illustrating portions of the massage element that form no part of the claimed design.

**1 Claim, 5 Drawing Sheets**



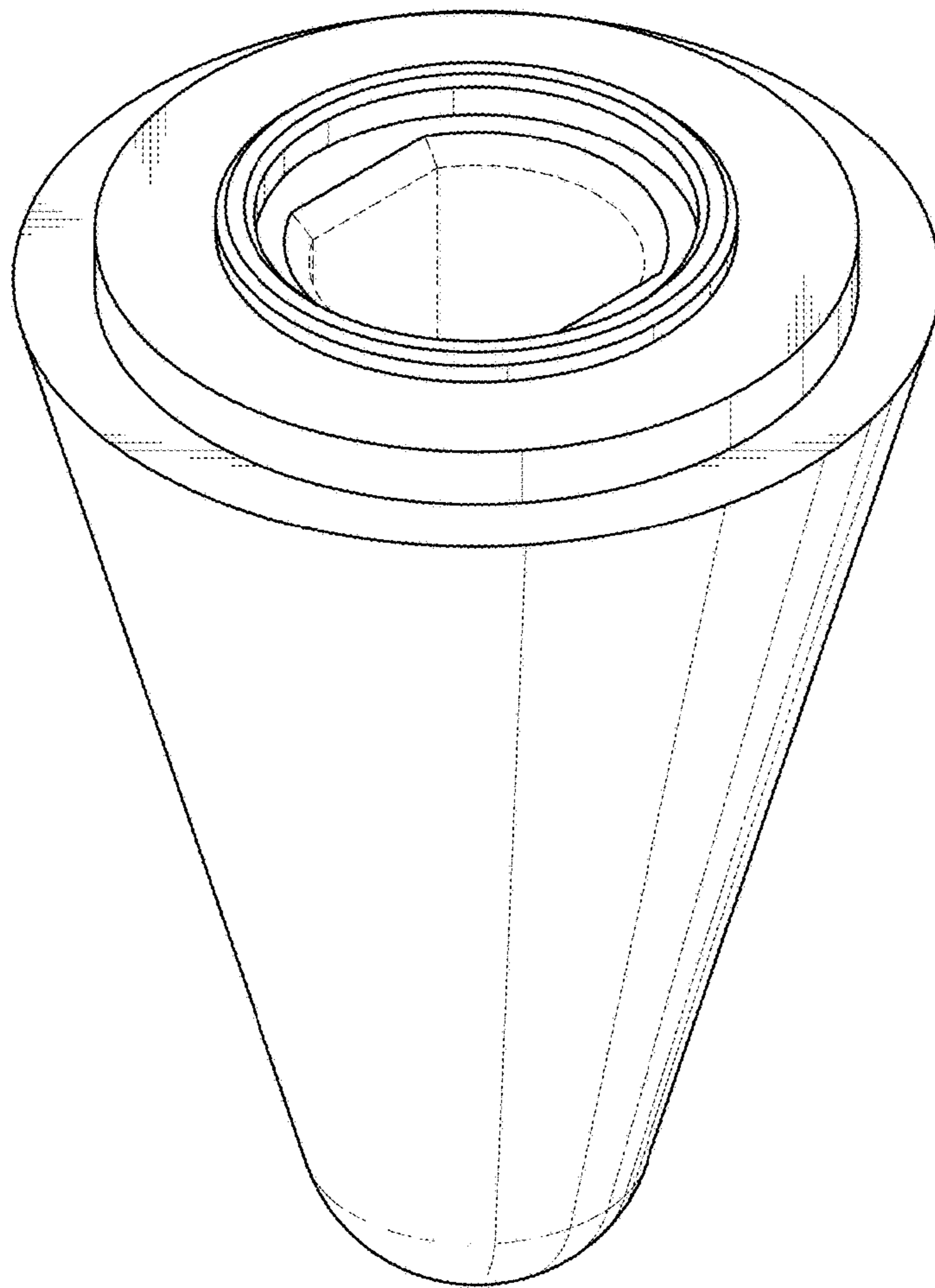
(56)

**References Cited**

U.S. PATENT DOCUMENTS

8,105,253 B2 *	1/2012	Chen .....	A61H 7/004 601/112
8,518,001 B2 *	8/2013	Hasenoehrl .....	A45D 34/04 601/112
8,864,690 B2 *	10/2014	Fuster .....	A61H 7/005 601/134

\* cited by examiner



*FIG. 1*

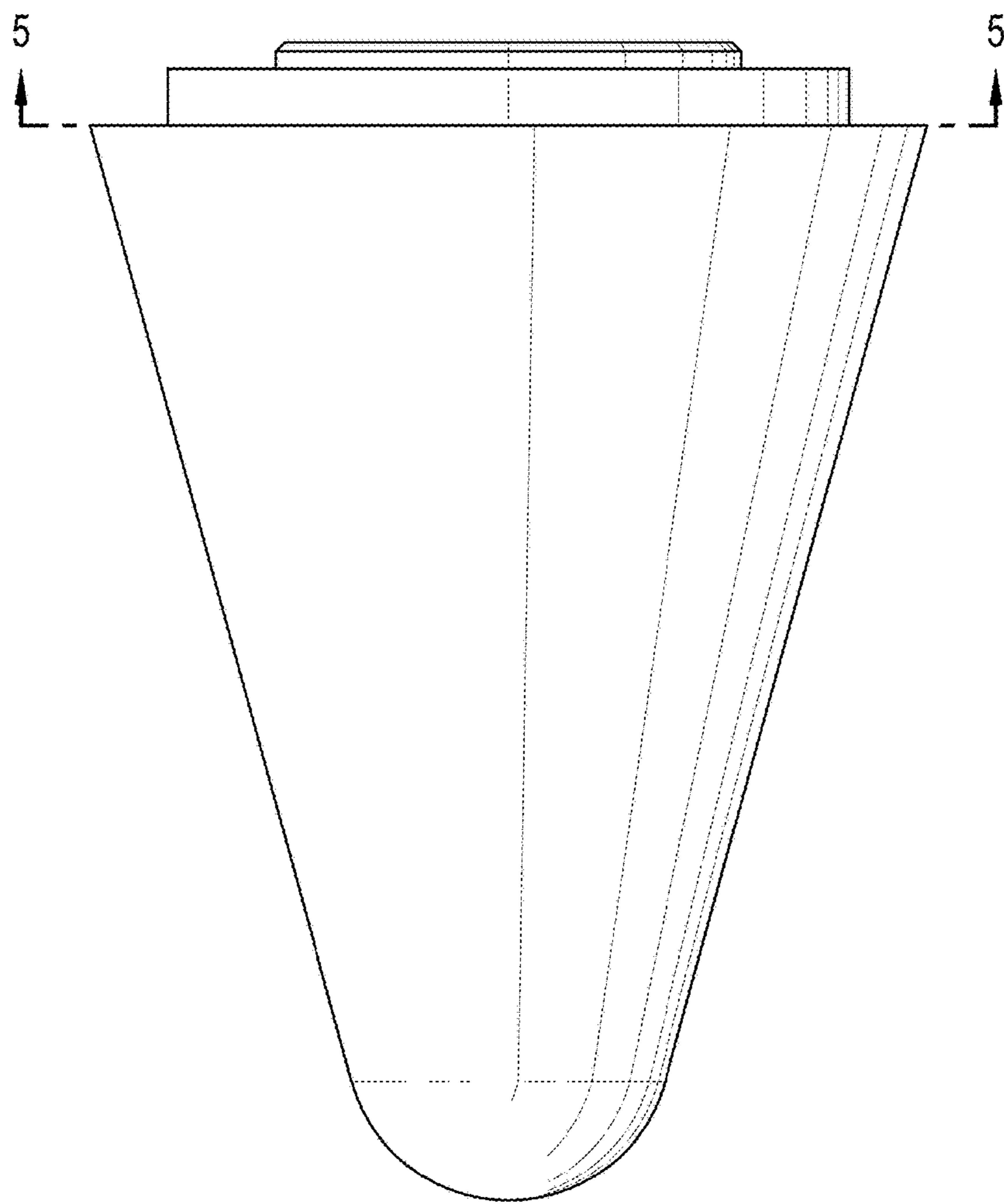
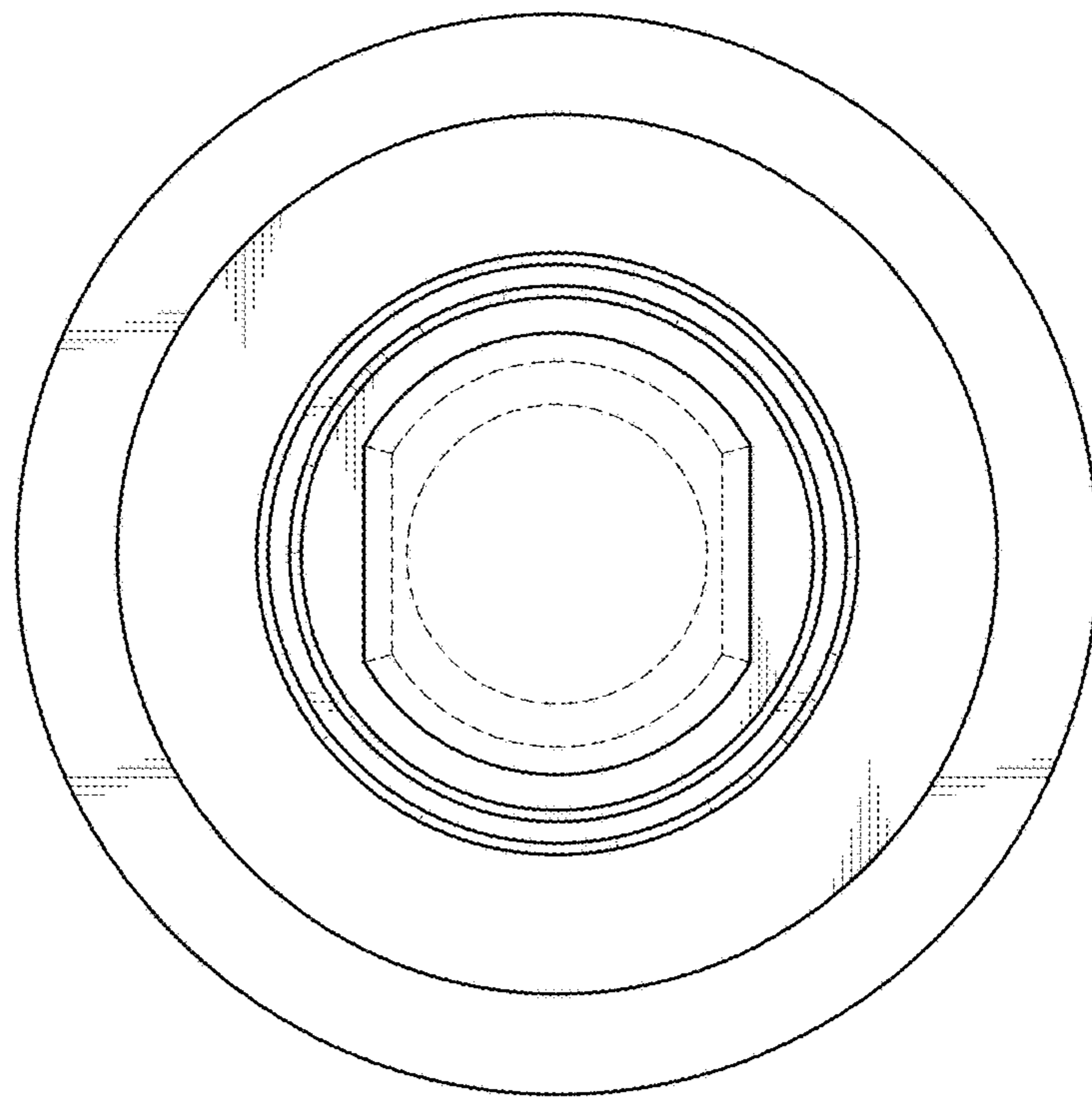


FIG. 2



*FIG. 3*

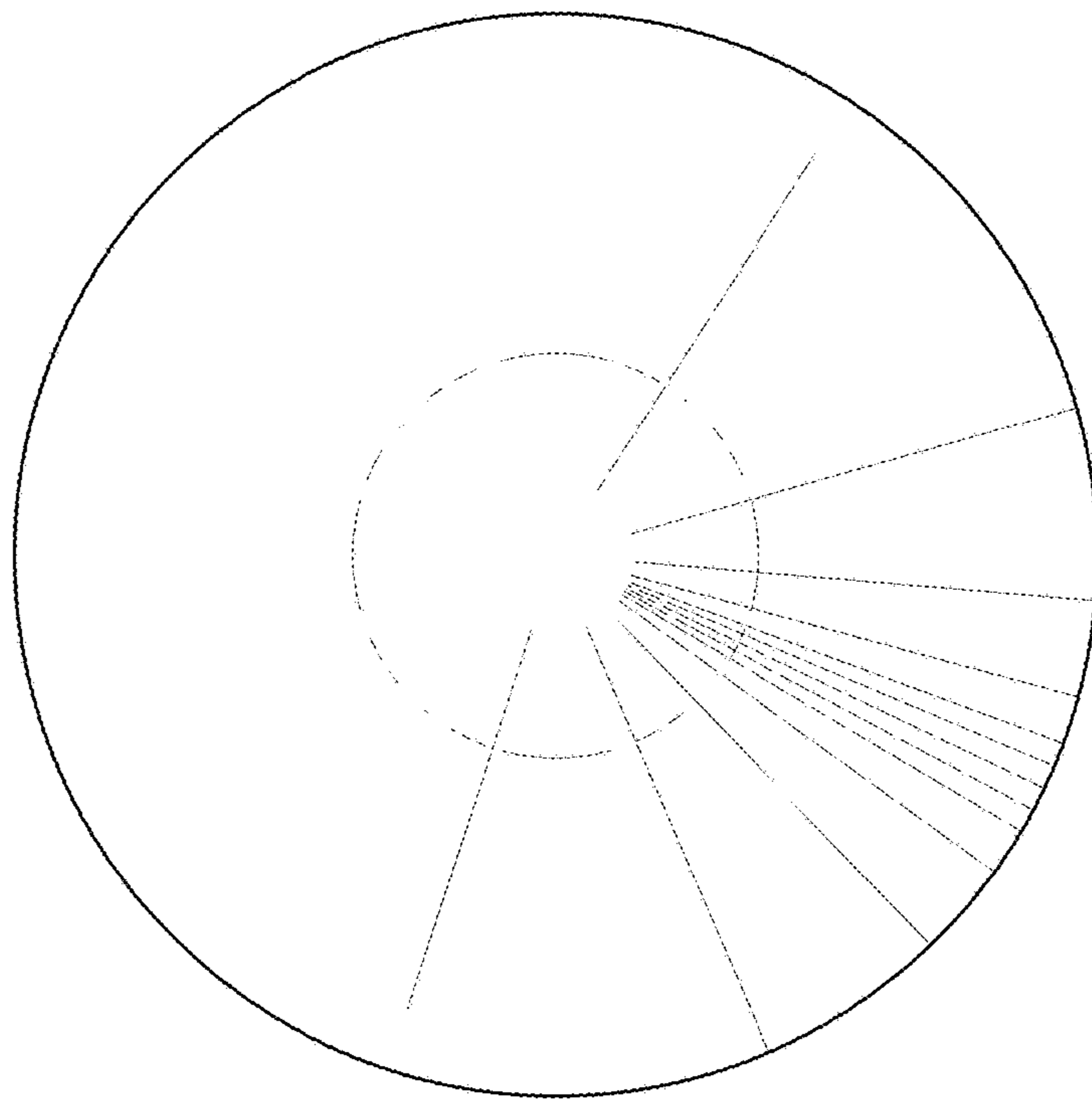


FIG. 4

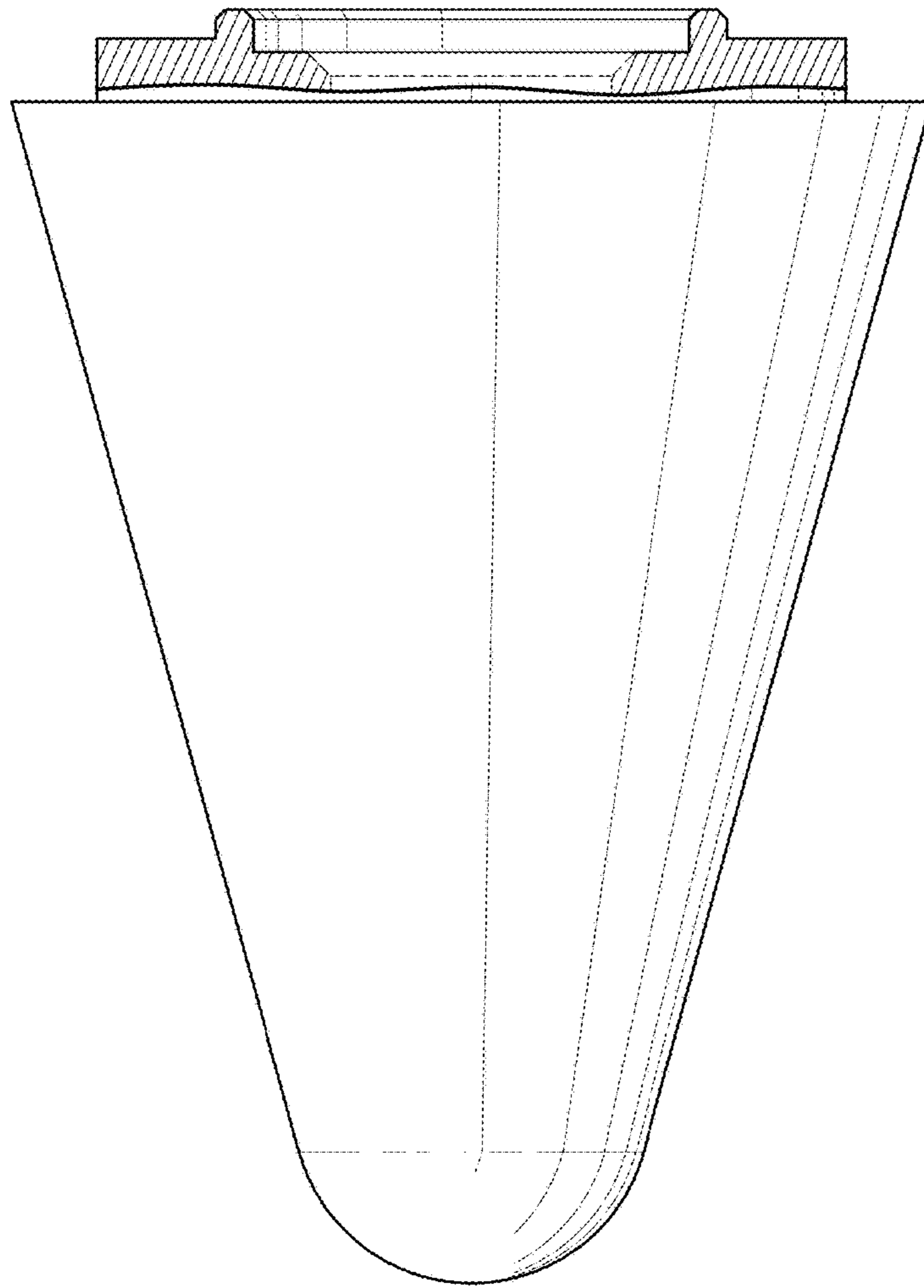


FIG. 5