



US00D849253S

(12) **United States Design Patent** (10) **Patent No.:** **US D849,253 S**  
**Siddiqui et al.** (45) **Date of Patent:** **\*\* May 21, 2019**

(54) **ORTHOTIC DEVICE** D527,825 S 9/2006 Ingimundarson  
D529,180 S 9/2006 Ingimundarson  
(71) Applicant: **VISION QUEST INDUSTRIES** 7,500,957 B2 3/2009 Bledsoe  
**INCORPORATED**, Irvine, CA (US) D665,950 S \* 8/2012 Rokitta ..... D29/121.1  
8,241,234 B2 8/2012 Ingimundarson et al.  
(72) Inventors: **Masood Siddiqui**, Irvine, CA (US); 8,257,293 B2 9/2012 Ingimundarson et al.  
**Michael S. Skahan**, Ramona, CA (US); 8,911,389 B2 \* 12/2014 Reinhardt ..... A61F 5/0109  
**Kevin R. Lunau**, Valley Center, CA 602/26  
(US) D733,894 S \* 7/2015 Ortega ..... D24/190  
D779,076 S \* 2/2017 Chang ..... D24/190  
(73) Assignee: **VISION QUEST INDUSTRIES** D810,309 S \* 2/2018 Forbes ..... D24/190  
**INCORPORATED**, Irvine, CA (US) D820,991 S \* 6/2018 Hylton ..... D24/190  
D835,289 S \* 12/2018 Frost ..... D24/190  
2012/0165713 A1 \* 6/2012 Forbes ..... A61F 5/0109  
602/26

(\*\*) Term: **15 Years**

(21) Appl. No.: **29/604,164**

(22) Filed: **May 15, 2017**

**Related U.S. Application Data**

(62) Division of application No. 29/524,253, filed on Apr. 17, 2015, now Pat. No. Des. 787,076.

(51) **LOC (11) Cl.** ..... **24-04**

(52) **U.S. Cl.**  
USPC ..... **D24/190**

(58) **Field of Classification Search**  
USPC ..... D24/190, 192; D29/121.1  
CPC ..... A61F 5/0123; A61F 5/0125; A61F  
2005/0139; A61F 2005/0176  
See application file for complete search history.

(56) **References Cited**

**U.S. PATENT DOCUMENTS**

4,005,506 A 2/1977 Moore  
4,830,413 A 5/1989 Bisbing  
5,277,698 A 1/1994 Taylor et al.  
5,356,370 A 10/1994 Fleming

**FOREIGN PATENT DOCUMENTS**

EP 1276948 B1 10/2011

\* cited by examiner

*Primary Examiner* — Jennifer L Watkins

(74) *Attorney, Agent, or Firm* — Lawrence N. Ginsberg

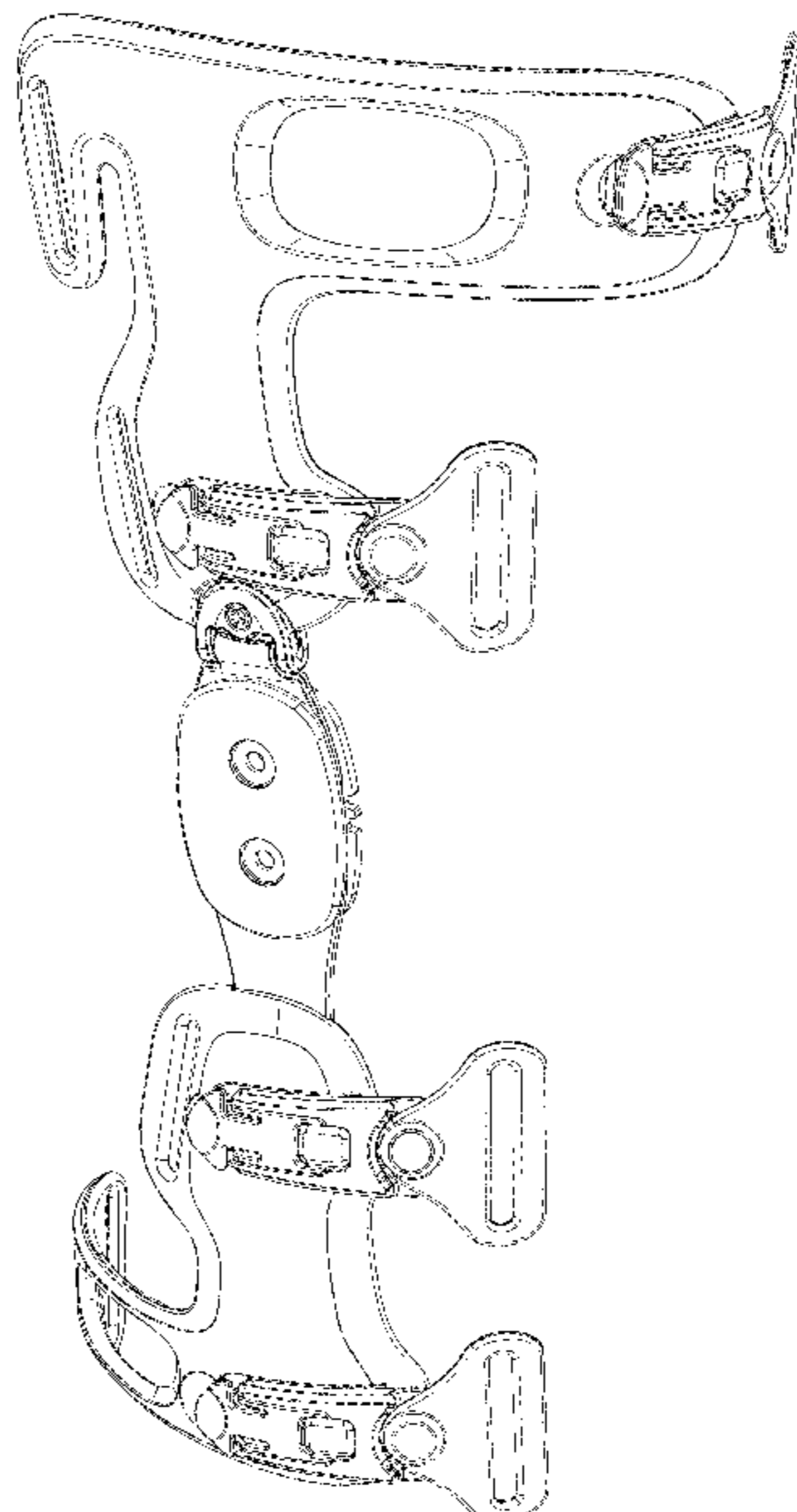
(57) **CLAIM**

The ornamental design for an orthotic device, as shown and described.

**DESCRIPTION**

FIG. 1 is a top perspective view of another embodiment of the orthotic device, showing our new design; FIG. 2 is a front elevational view thereof; FIG. 3 is a rear elevational view thereof; FIG. 4 is a right side elevational view thereof; FIG. 5 is a left side elevational view thereof; FIG. 6 is a top plan view thereof; and, FIG. 7 is a bottom plan view thereof.

**1 Claim, 6 Drawing Sheets**



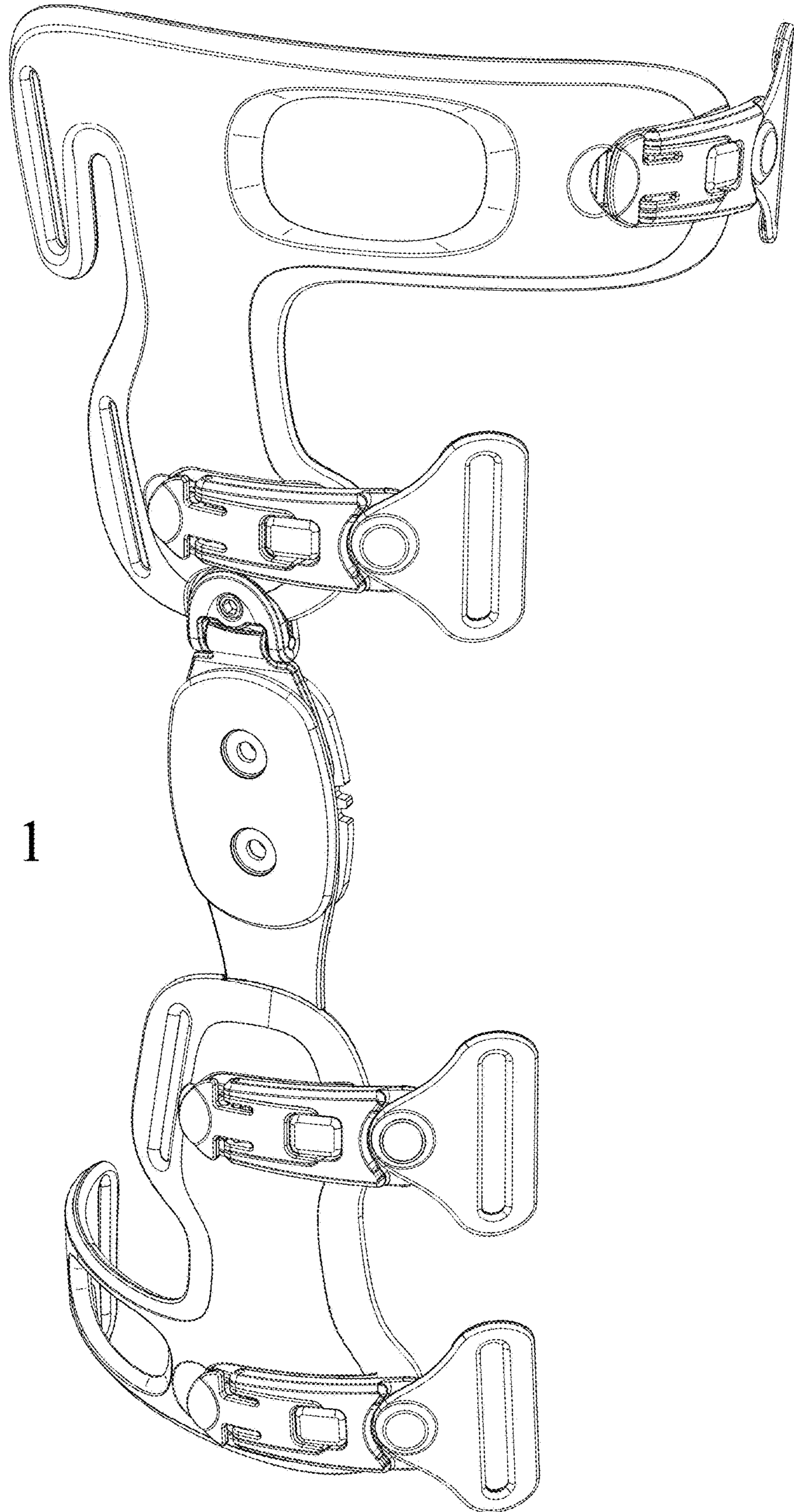


FIG. 1

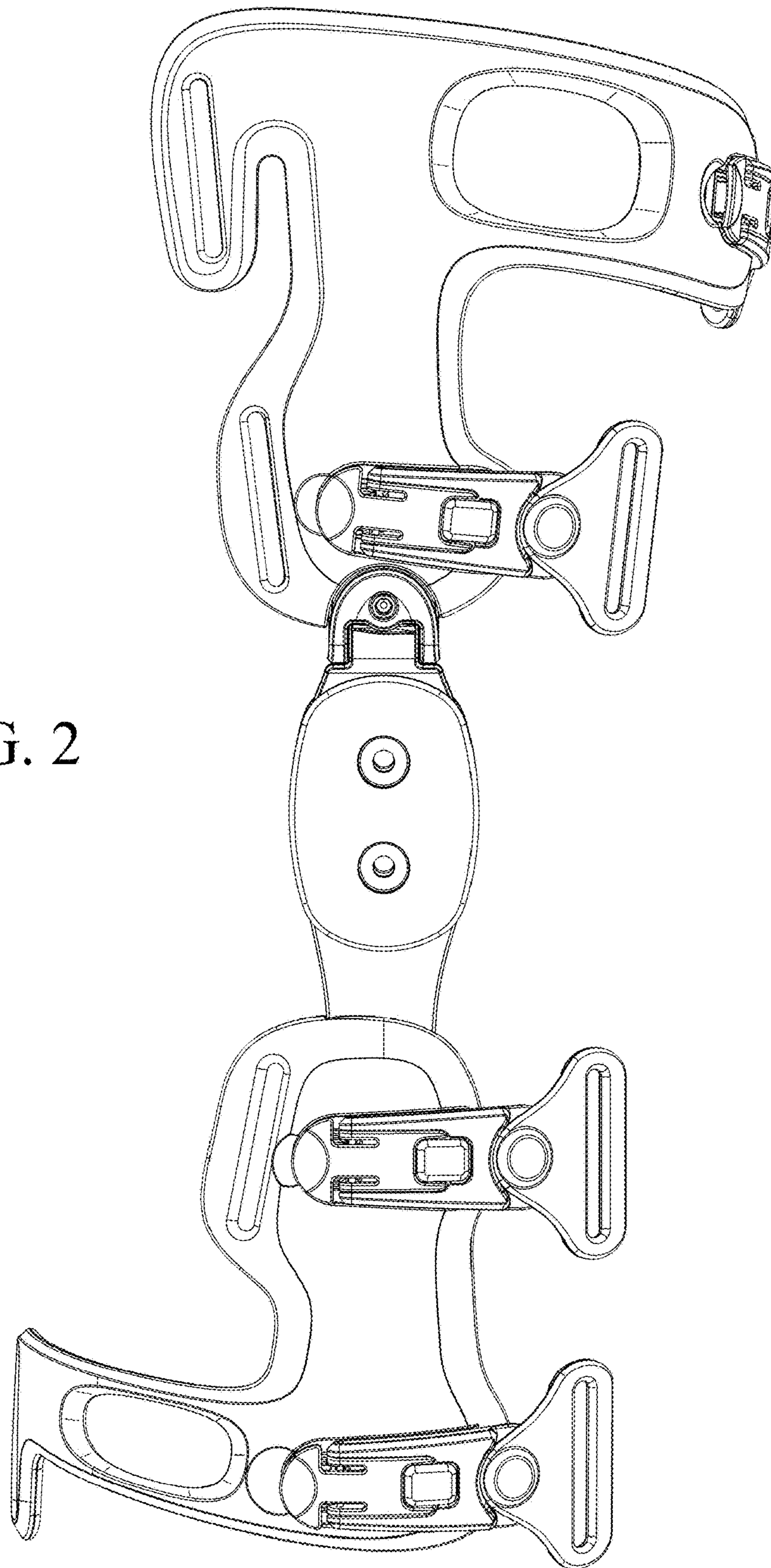


FIG. 2

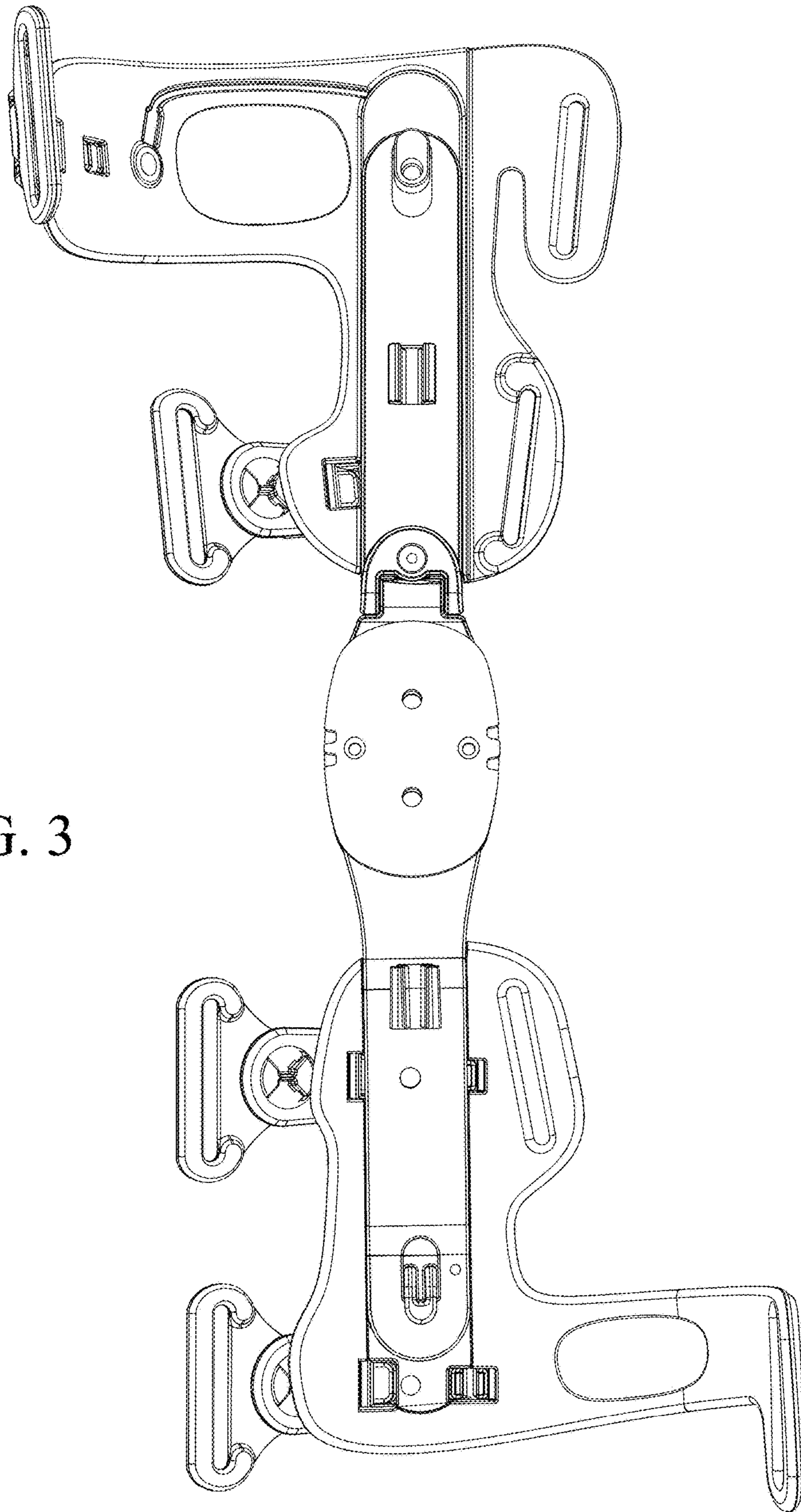


FIG. 3

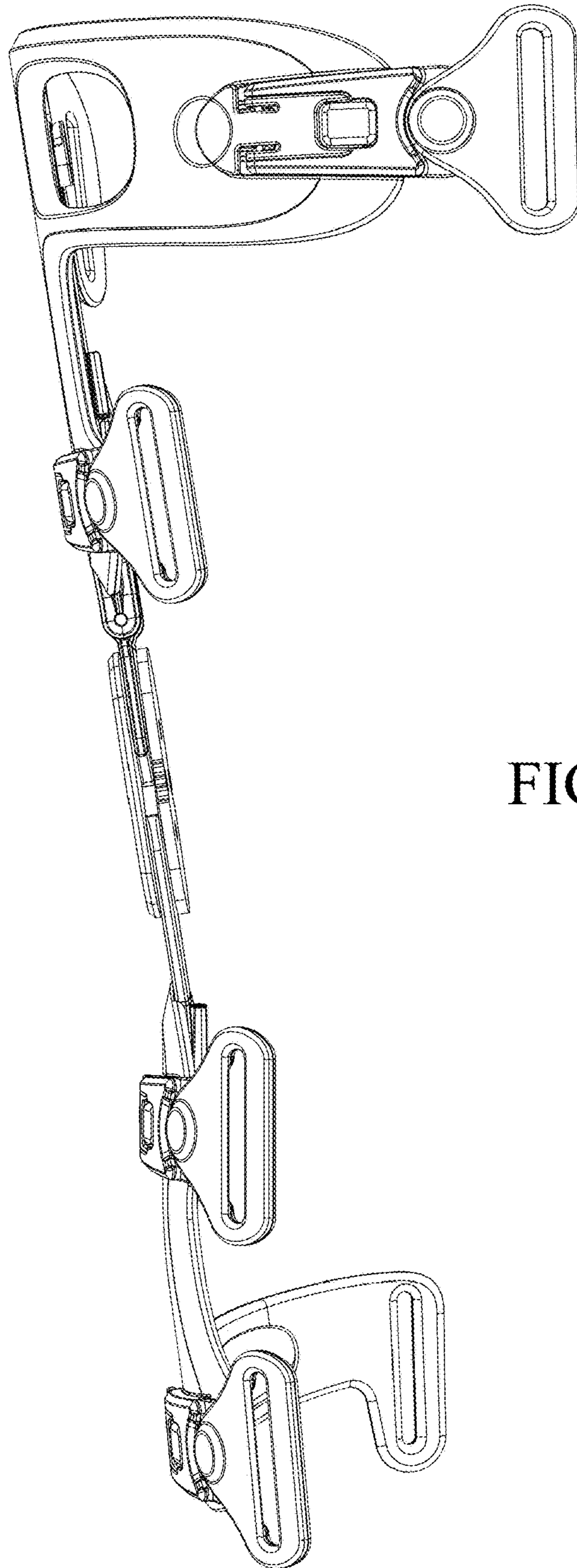


FIG. 4

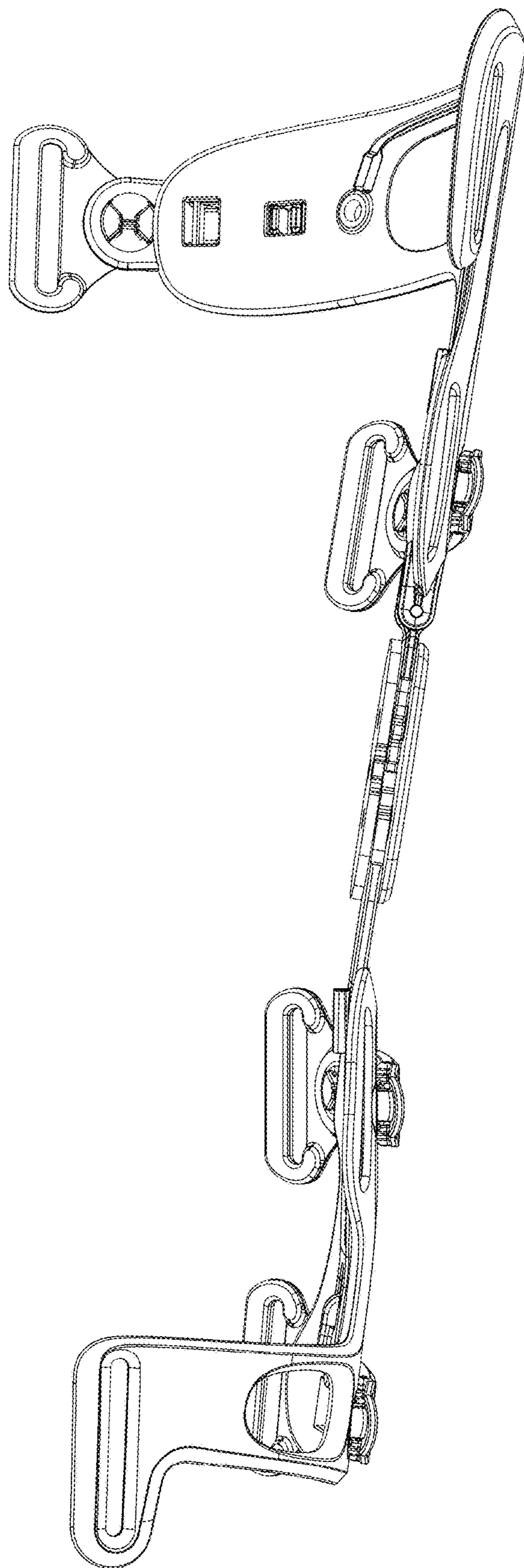


FIG. 5

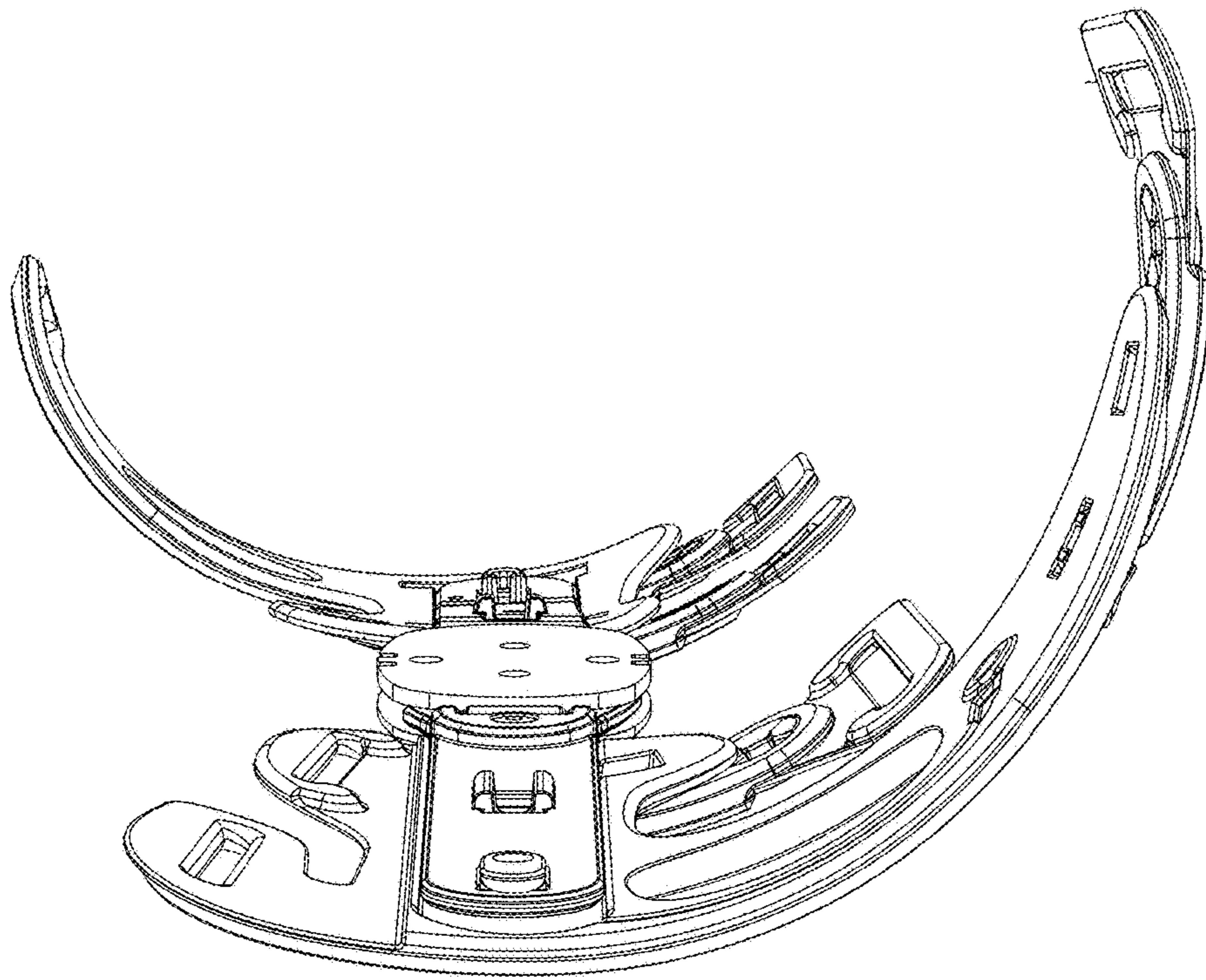


FIG. 6

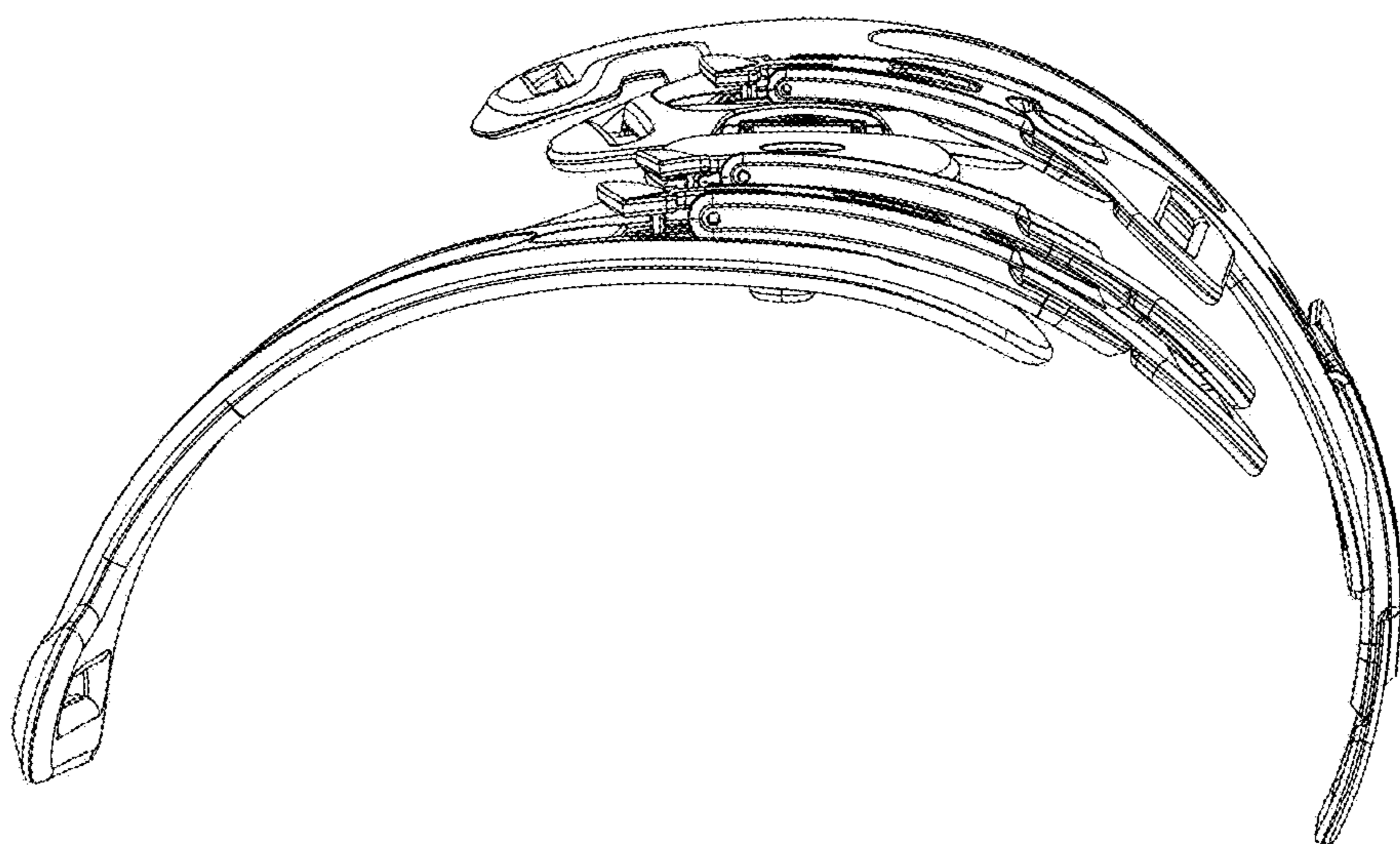


FIG. 7