



US00D849249S

(12) **United States Design Patent** (10) **Patent No.:** **US D849,249 S**  
**Bode** (45) **Date of Patent:** **\*\* May 21, 2019**

(54) **DENTAL TRAINER REST**  
(71) Applicant: **Moog BV**, Nieuw-Vennep (NL)  
(72) Inventor: **Cornelis (Dyon) H. D. Bode**,  
Nieuw-Vennep (NL)

8,764,452 B2 \* 7/2014 Pravong ..... G09B 23/30  
434/262  
9,070,306 B2 \* 6/2015 Rappel ..... G09B 23/30  
D766,457 S \* 9/2016 Cia ..... D24/232

(73) Assignee: **MOOG BV**, Nieuw-Vennep (NL)  
(\*\*) Term: **15 Years**

**OTHER PUBLICATIONS**

Moog Simodont® Dental Trainer. SenseGraphics. Retrieved on  
May 17, 2018. Retrieved from the Internet: <URL: <https://sensegraphics.com/references/>>.\*

(21) Appl. No.: **29/577,074**  
(22) Filed: **Sep. 9, 2016**

\* cited by examiner

(30) **Foreign Application Priority Data**

Mar. 11, 2016 (EM) ..... 003025204-0001  
Mar. 11, 2016 (EM) ..... 003025204-0002

*Primary Examiner* — Wan Laymon  
(74) *Attorney, Agent, or Firm* — Hodgson Russ LLP

(51) **LOC (11) Cl.** ..... **24-02**  
(52) **U.S. Cl.**

(57) **CLAIM**

The ornamental design for a dental trainer rest, as shown and  
described.

USPC ..... **D24/176**; D19/59

(58) **Field of Classification Search**

USPC ..... D24/176–179, 182, 184, 128, 185, 232,  
D24/137, 150; D19/59, 62; 434/263  
CPC ..... A61C 3/00; G09B 23/283; G09B 23/286;  
G09B 23/28; G09B 23/30

**DESCRIPTION**

See application file for complete search history.

FIG. 1 is a front-top-right perspective view of a dental  
trainer rest;  
FIG. 2 is a front-top-left perspective view thereof;  
FIG. 3 is a front elevational view thereof;  
FIG. 4 is a rear elevational view thereof;  
FIG. 5 is a left side elevational view thereof;  
FIG. 6 is a right side elevational view thereof;  
FIG. 7 is a top plan view thereof;  
FIG. 8 is a bottom plan view thereof; and,  
FIG. 9 is another perspective view thereof, showing the  
dental trainer rest as part of an exemplary dental training  
device.

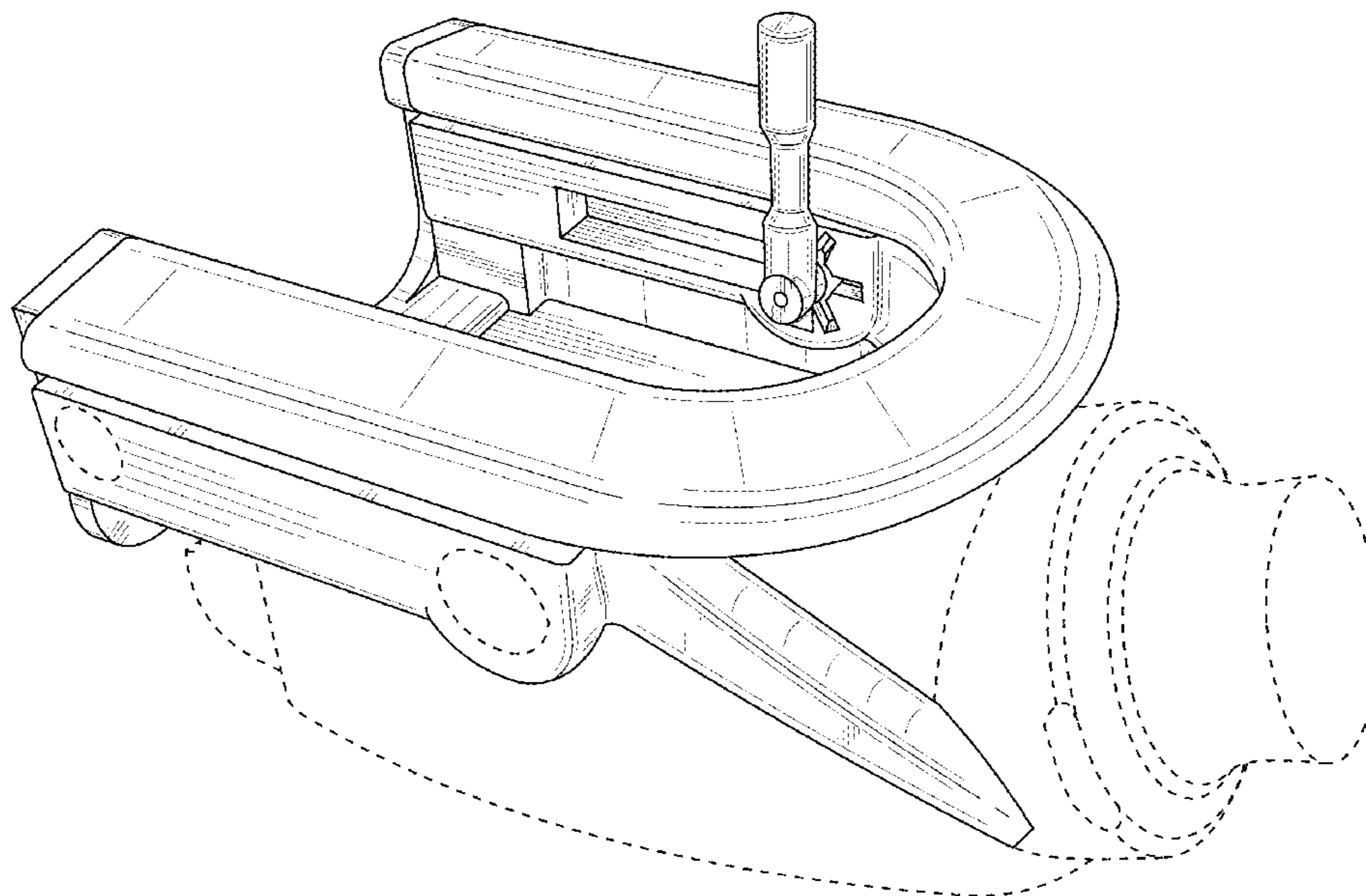
(56) **References Cited**

**U.S. PATENT DOCUMENTS**

D191,110 S \* 8/1961 Weissman ..... D24/182  
3,943,629 A \* 3/1976 Ueno ..... G09B 23/283  
273/440  
5,180,308 A \* 1/1993 Garito ..... G09B 23/28  
248/300

The broken lines illustrate unclaimed and/or environmental  
features that form no part of the claimed design.

**1 Claim, 9 Drawing Sheets**



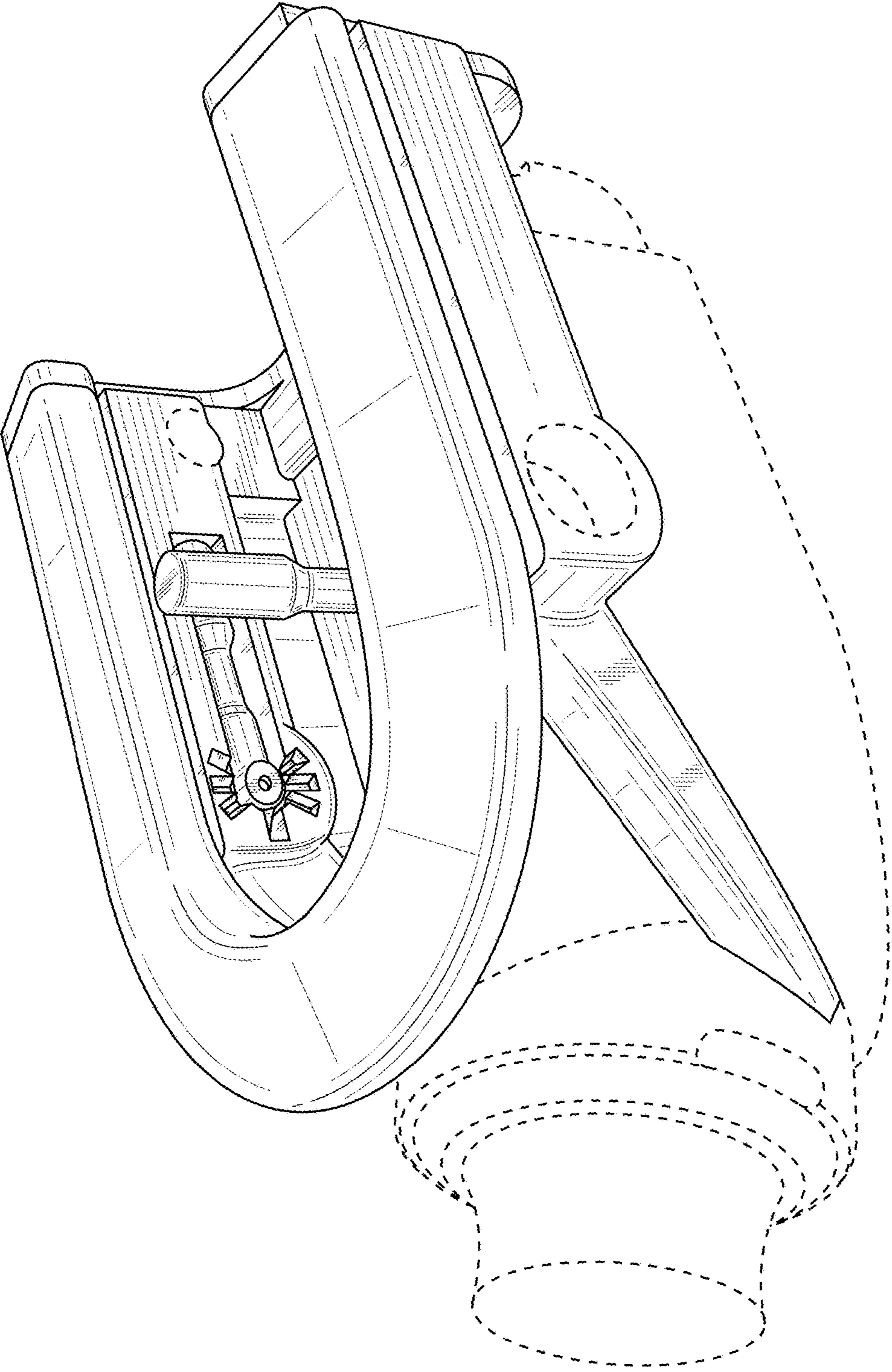


FIG. 1

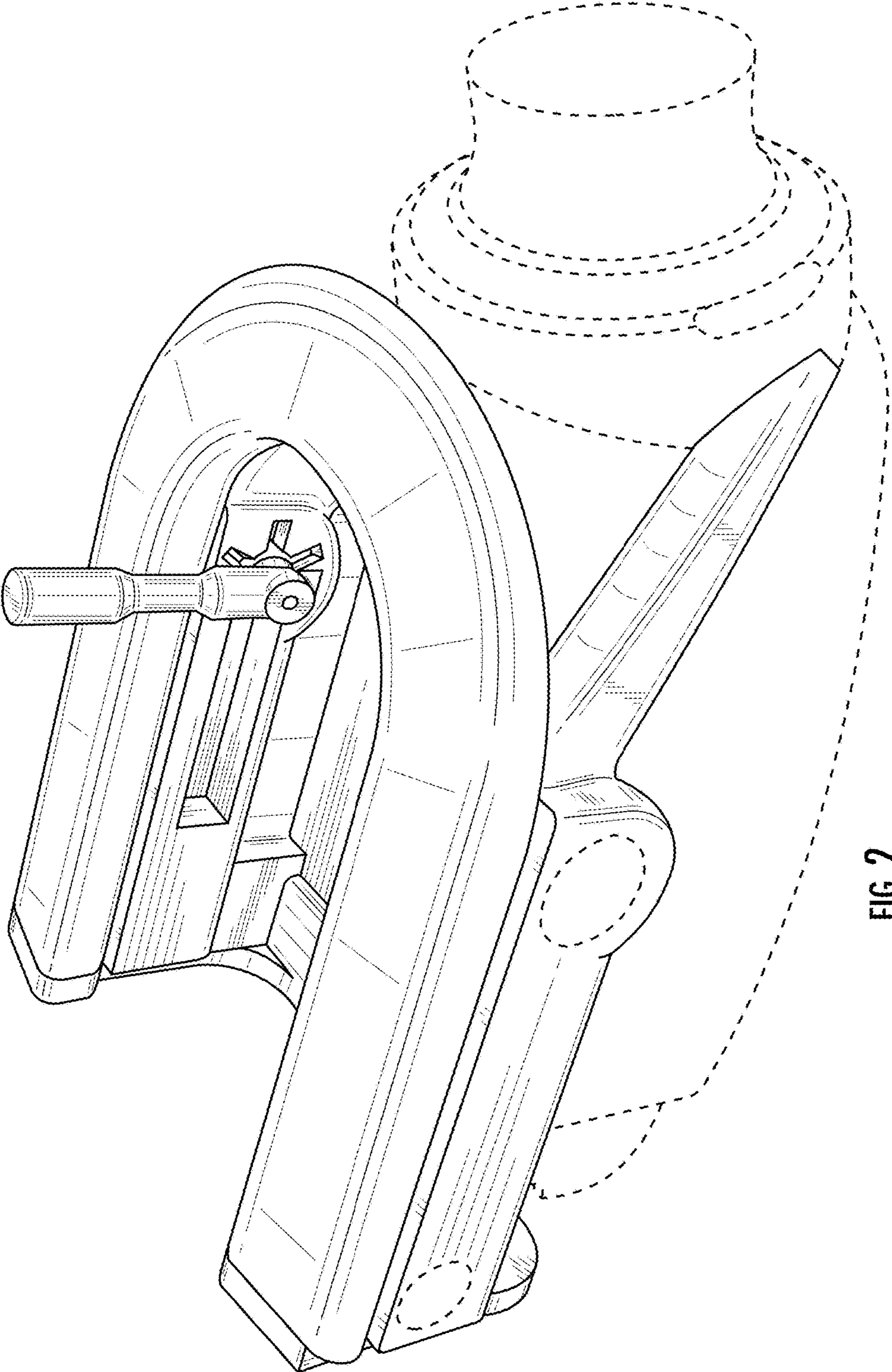


FIG. 2



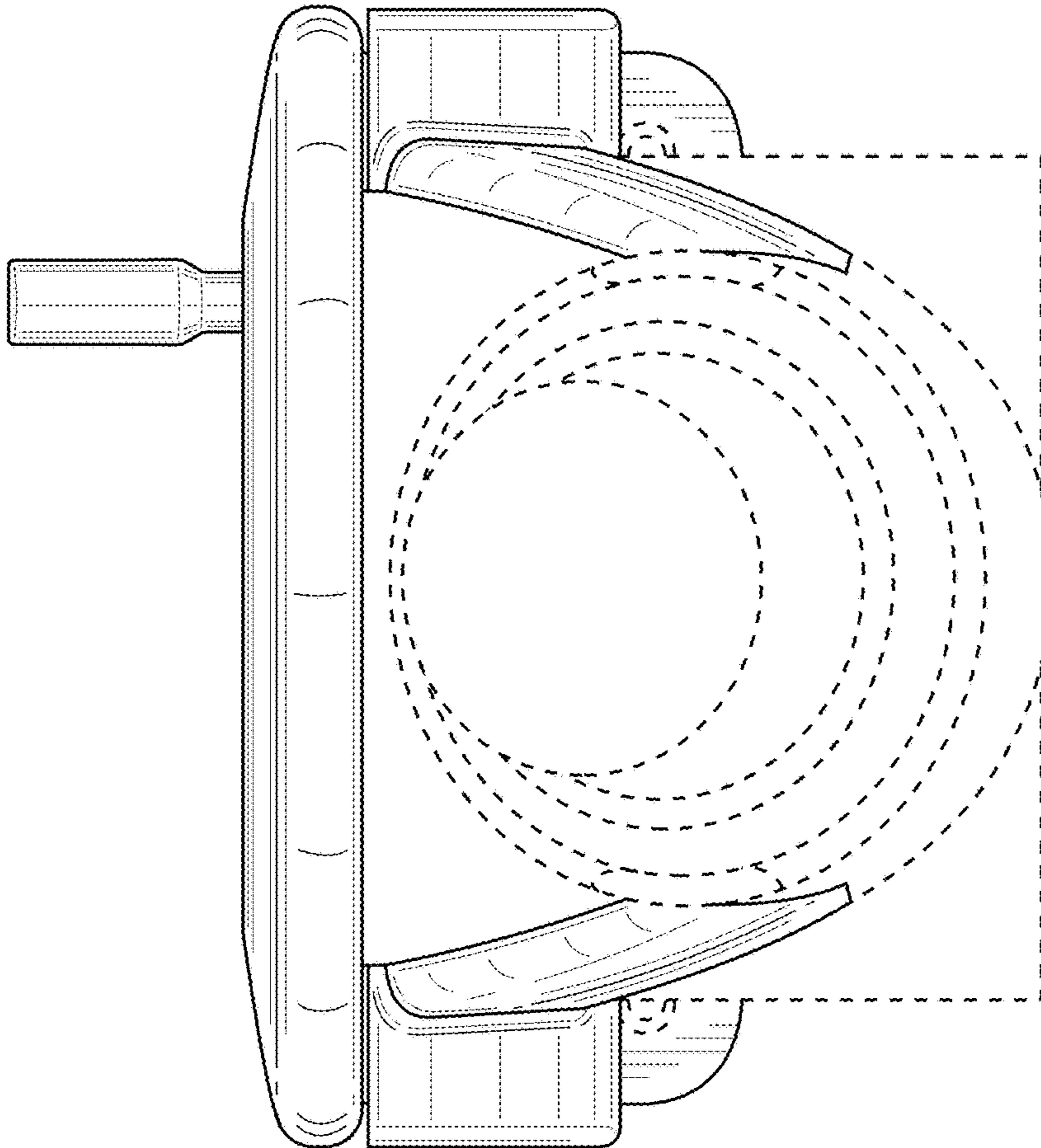


FIG. 3

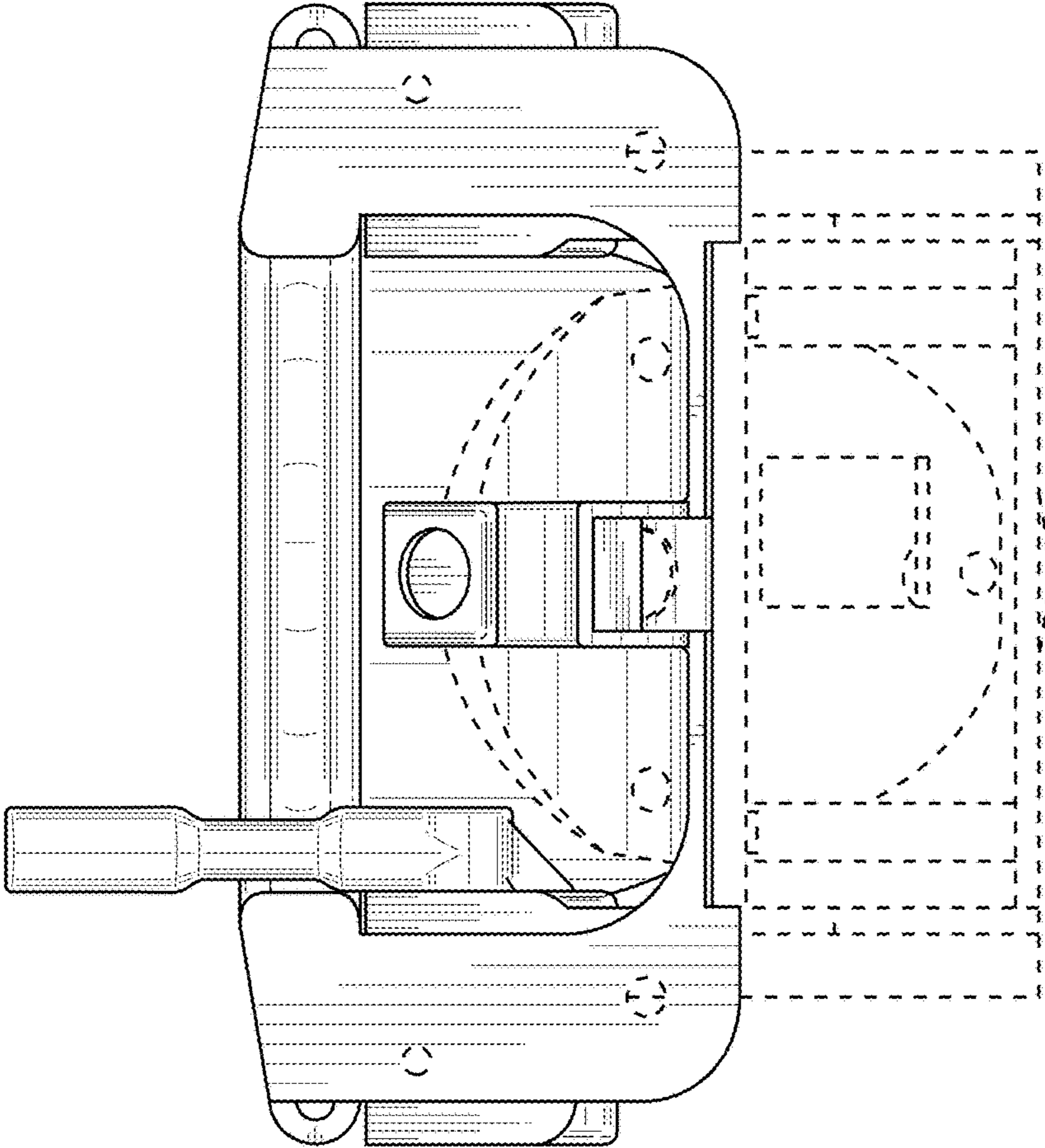


FIG. 4

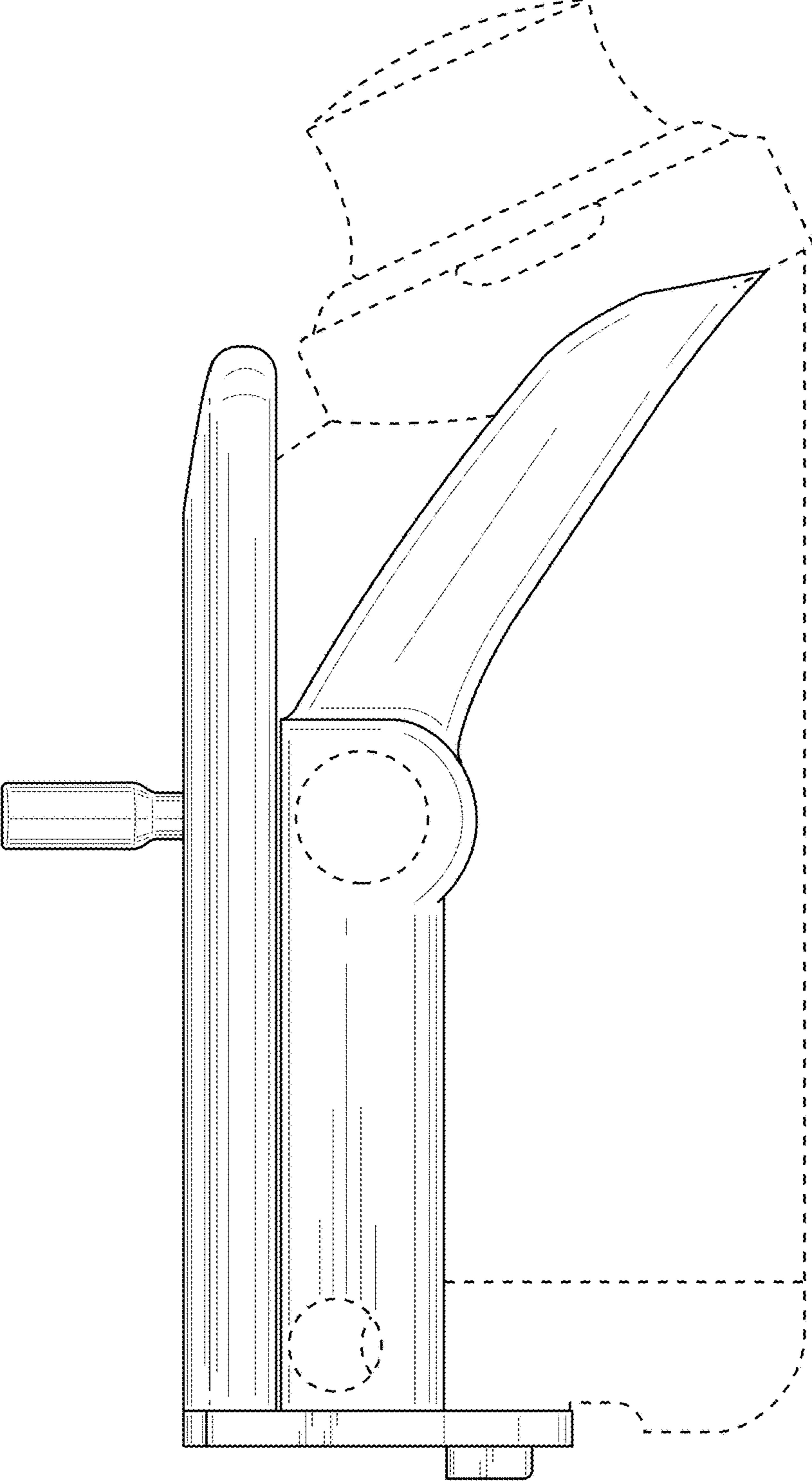


FIG. 5

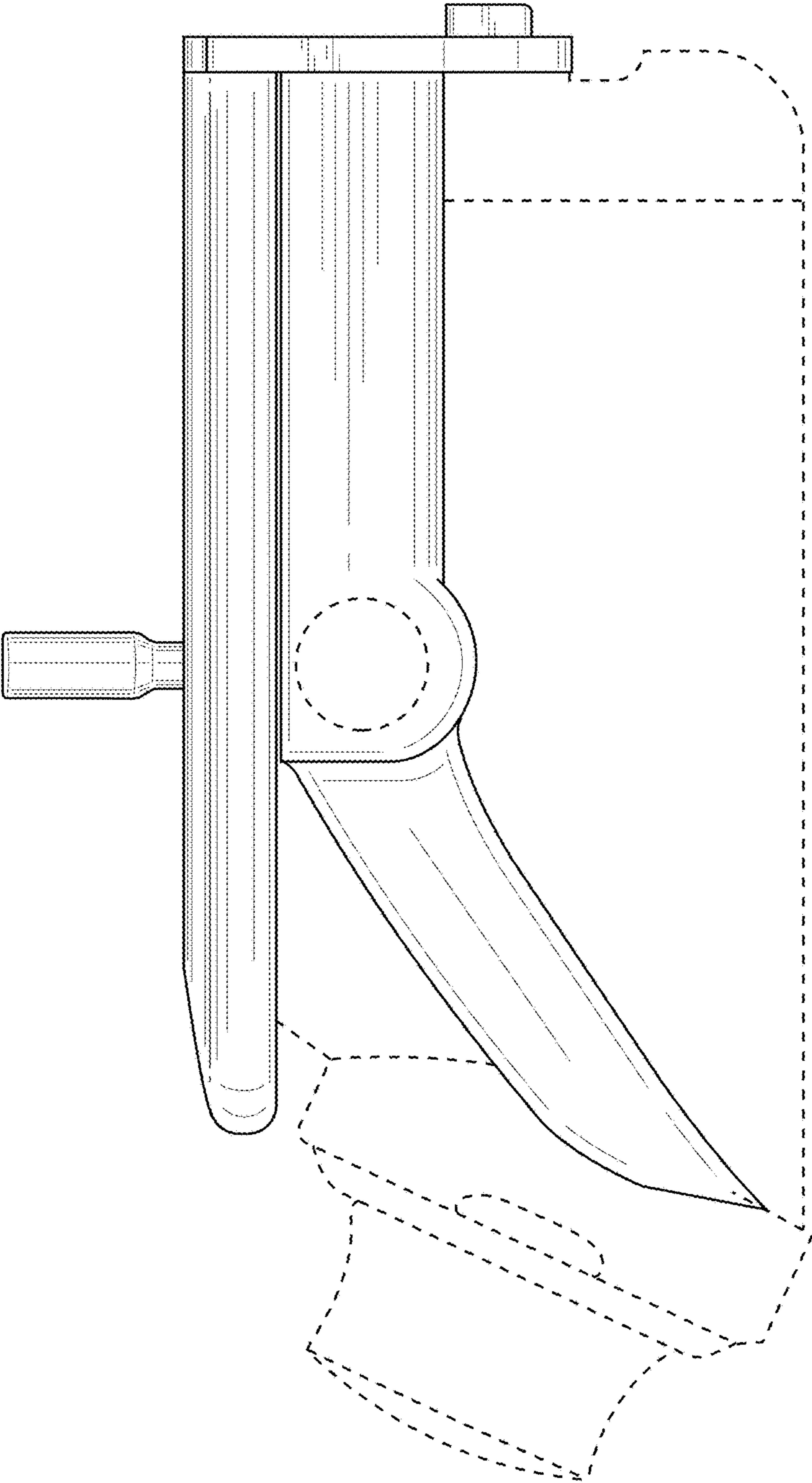


FIG. 6

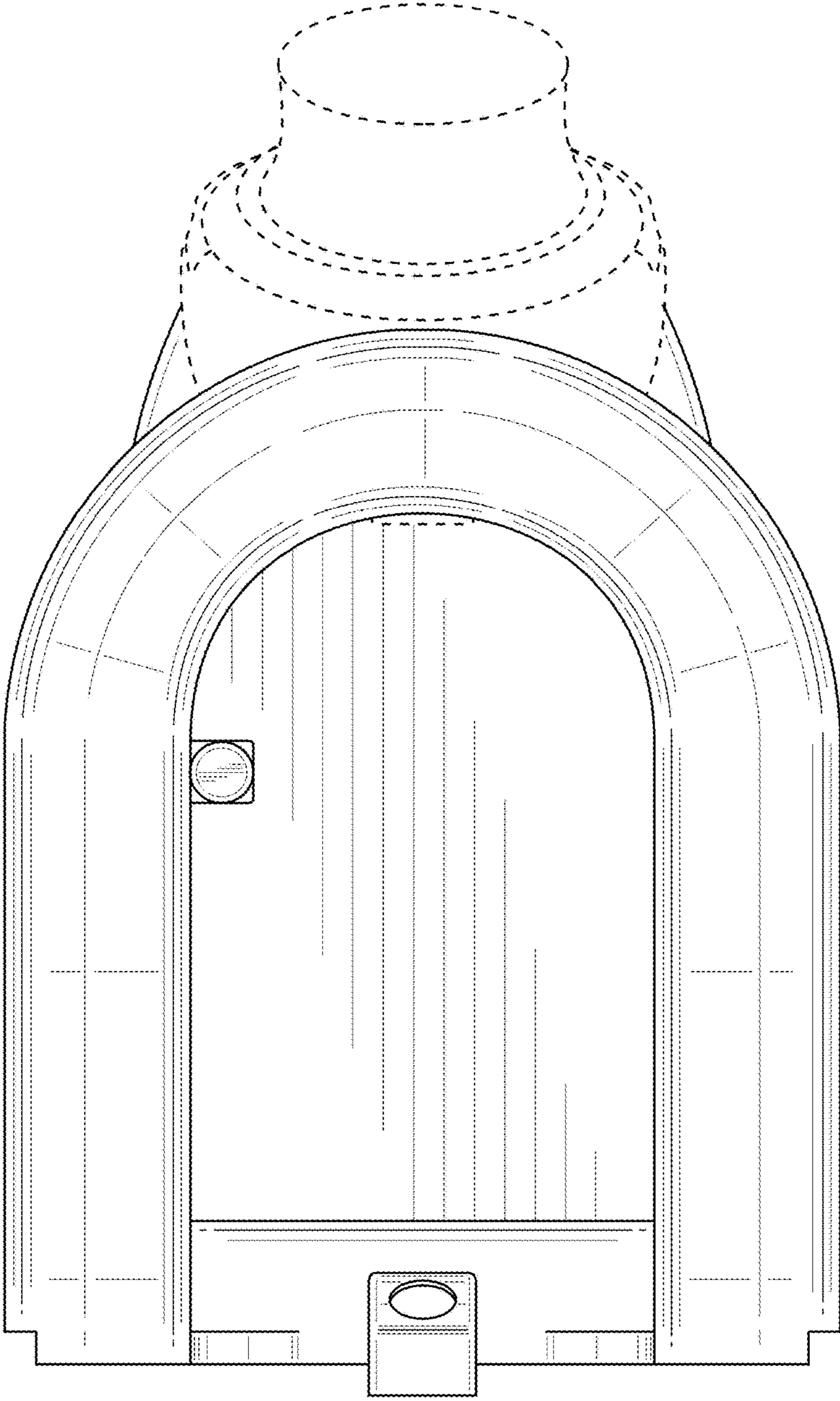


FIG. 7



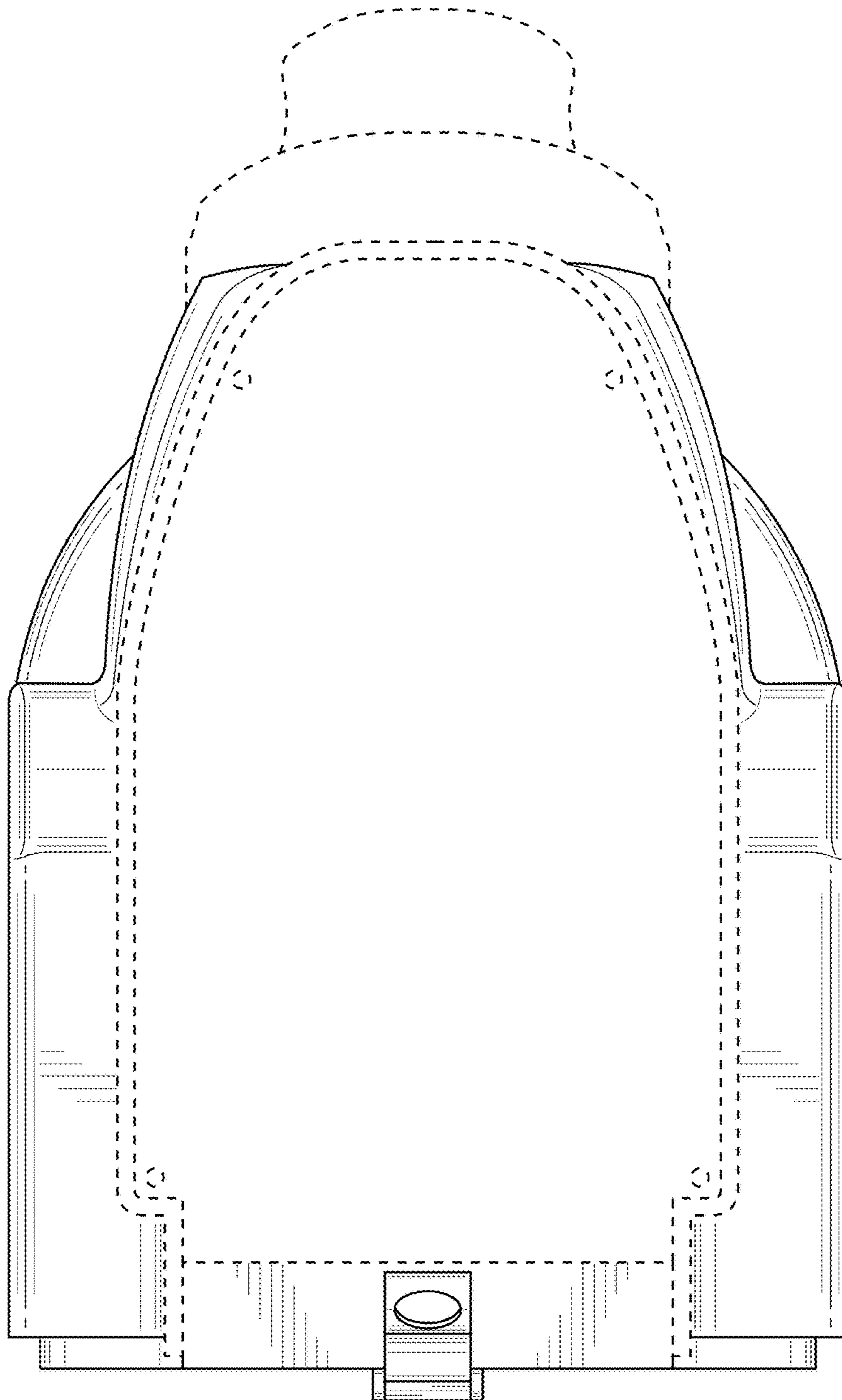


FIG. 8

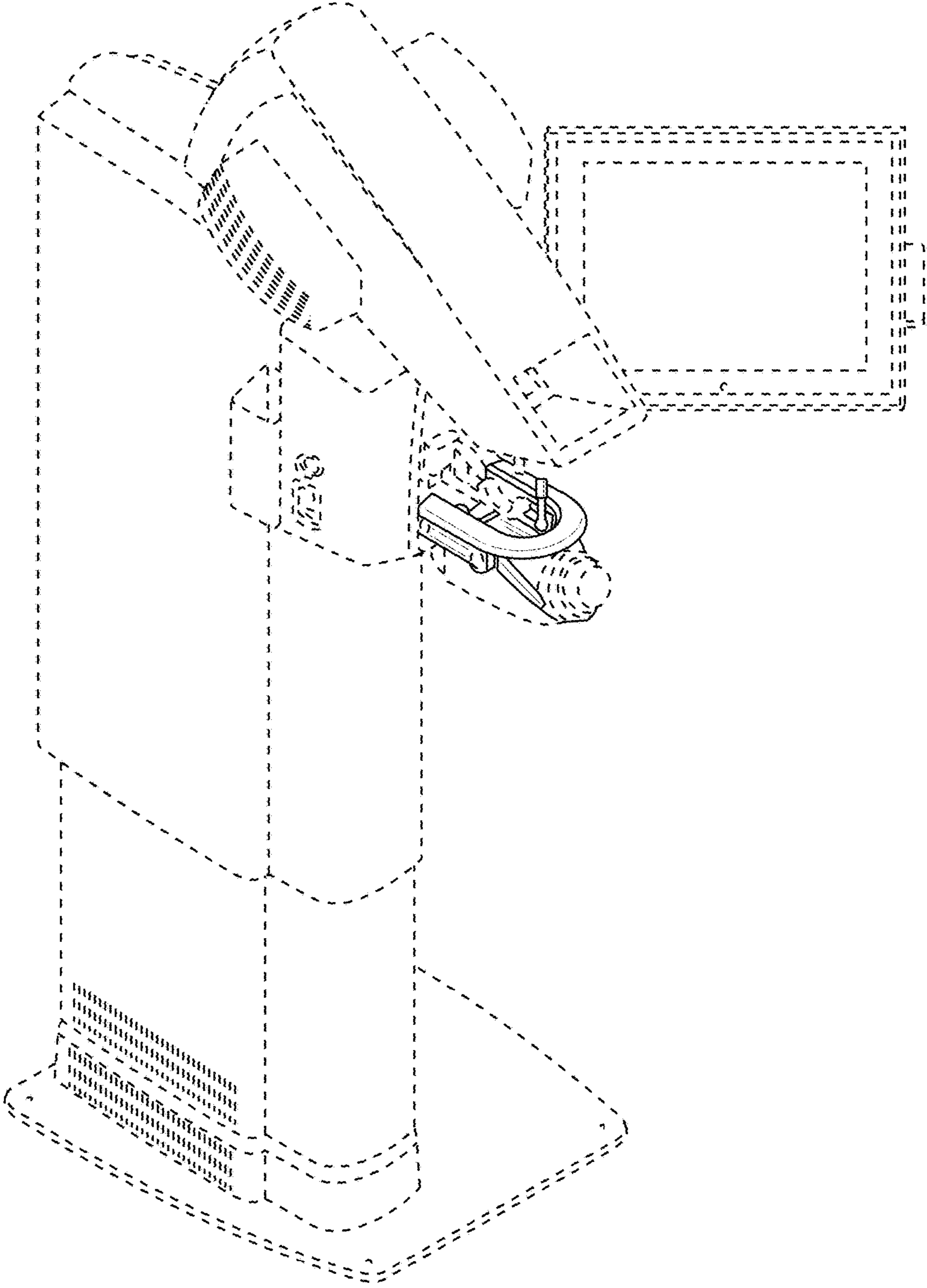


FIG. 9