



US00D849247S

(12) **United States Design Patent** (10) **Patent No.:** **US D849,247 S**  
**Wild** (45) **Date of Patent:** **\*\* May 21, 2019**

(54) **TANK FOR TESTING AND/OR TREATING EARS**

FOREIGN PATENT DOCUMENTS

EM 300971650-0001 7/2008

\* cited by examiner

*Primary Examiner* — Lakiya G Rogers

*Assistant Examiner* — Carissa C Fitts

(74) *Attorney, Agent, or Firm* — Sheridan Law, LLC;  
James A. Sheridan

(71) Applicant: **Cheltenham Medical Company Limited**, Gloucestershire (GB)

(72) Inventor: **Michael John Wild**, Gloucestershire (GB)

(73) Assignee: **Cheltenham Medical Company Limited** (GB)

(\*\*) Term: **15 Years**

(57) **CLAIM**

(21) Appl. No.: **29/563,523**

The ornamental design for a tank for testing and/or treating ears, as shown and described.

(22) Filed: **May 5, 2016**

(30) **Foreign Application Priority Data**

**DESCRIPTION**

Nov. 6, 2015 (EM) ..... 002849984-0001

Nov. 6, 2015 (EM) ..... 002849984-0002

(51) **LOC (11) Cl.** ..... **10-01**

(52) **U.S. Cl.**  
USPC ..... **D24/151**; D24/108

(58) **Field of Classification Search**  
USPC ..... D24/133, 108, 151, 152, 173, 188, 199,  
D24/207, 224

CPC ..... A61B 1/05; A61B 1/07; A61B 17/1671  
See application file for complete search history.

FIG. 1 is a perspective top view from the front of the tank of our new design, showing the interior surface of the tank which is not claimed in dashed lines;

FIG. 2 is a perspective top view from the rear of the tank as shown in FIG. 1, showing the interior surface of the tank which is not claimed in dashed lines;

FIG. 3 is a front view of the tank as shown in FIG. 1, showing the interior surface of the tank which is not claimed in dashed lines;

FIG. 4 is a rear view of the tank as shown in FIG. 1;

FIG. 5 is a side view from the left of the tank as shown in FIG. 1;

FIG. 6 is a side view from the right of the tank as shown in FIG. 1; and,

FIG. 7 is a top view of the tank as shown in FIG. 1, showing the interior the tank which is not claimed in dashed lines.

The dashed lines in the figures represent elements that are not claimed.

(56) **References Cited**

U.S. PATENT DOCUMENTS

D592,748 S \* 5/2009 Boulton ..... A61F 11/006  
D24/108

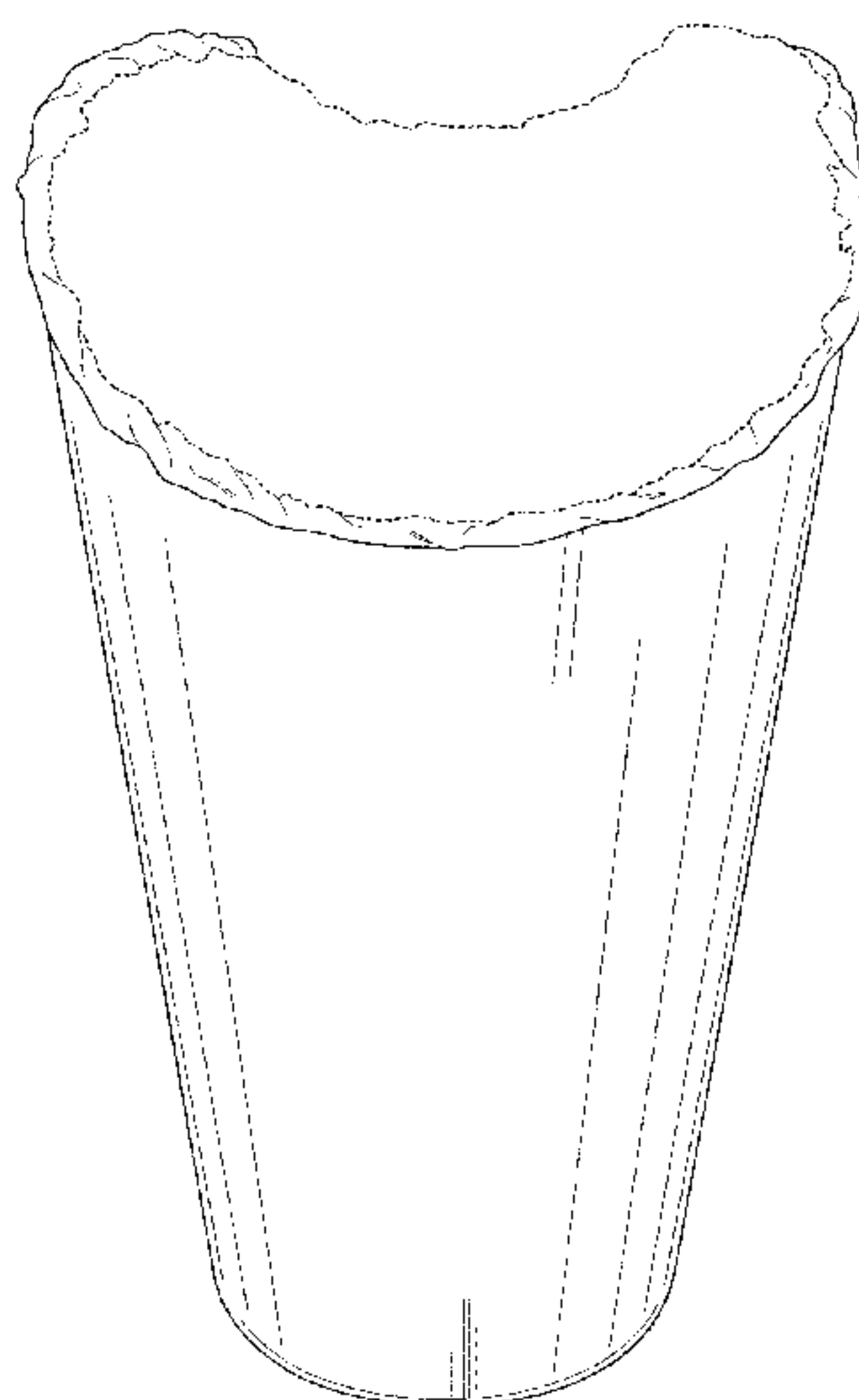
D794,773 S \* 8/2017 Senff ..... D24/111

D796,028 S \* 8/2017 Senff ..... D24/111

D797,919 S \* 9/2017 Ko ..... D24/108

2002/0004664 A1 \* 1/2002 Gerstein ..... A61F 11/006  
606/162

**1 Claim, 7 Drawing Sheets**



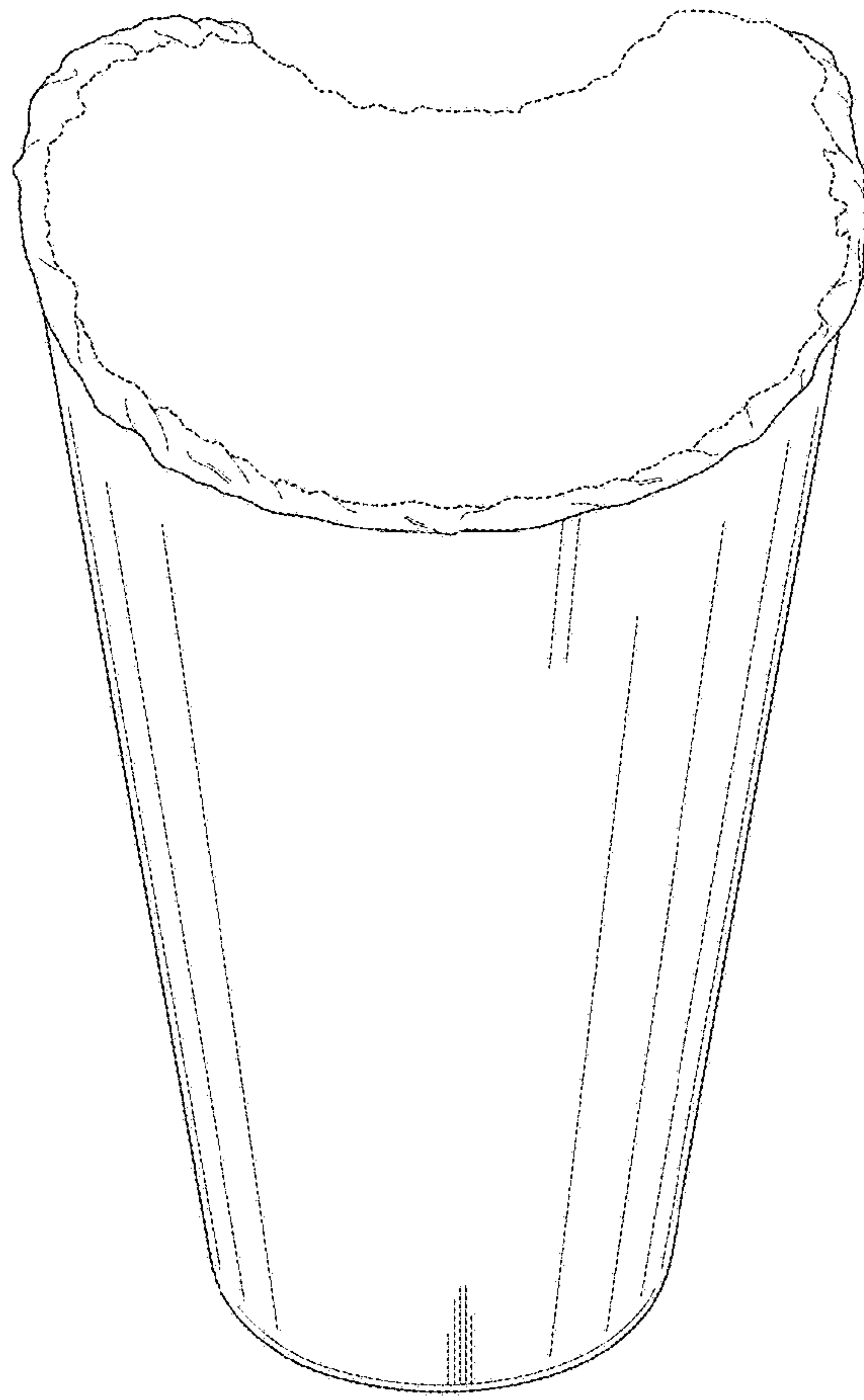


FIG. 1

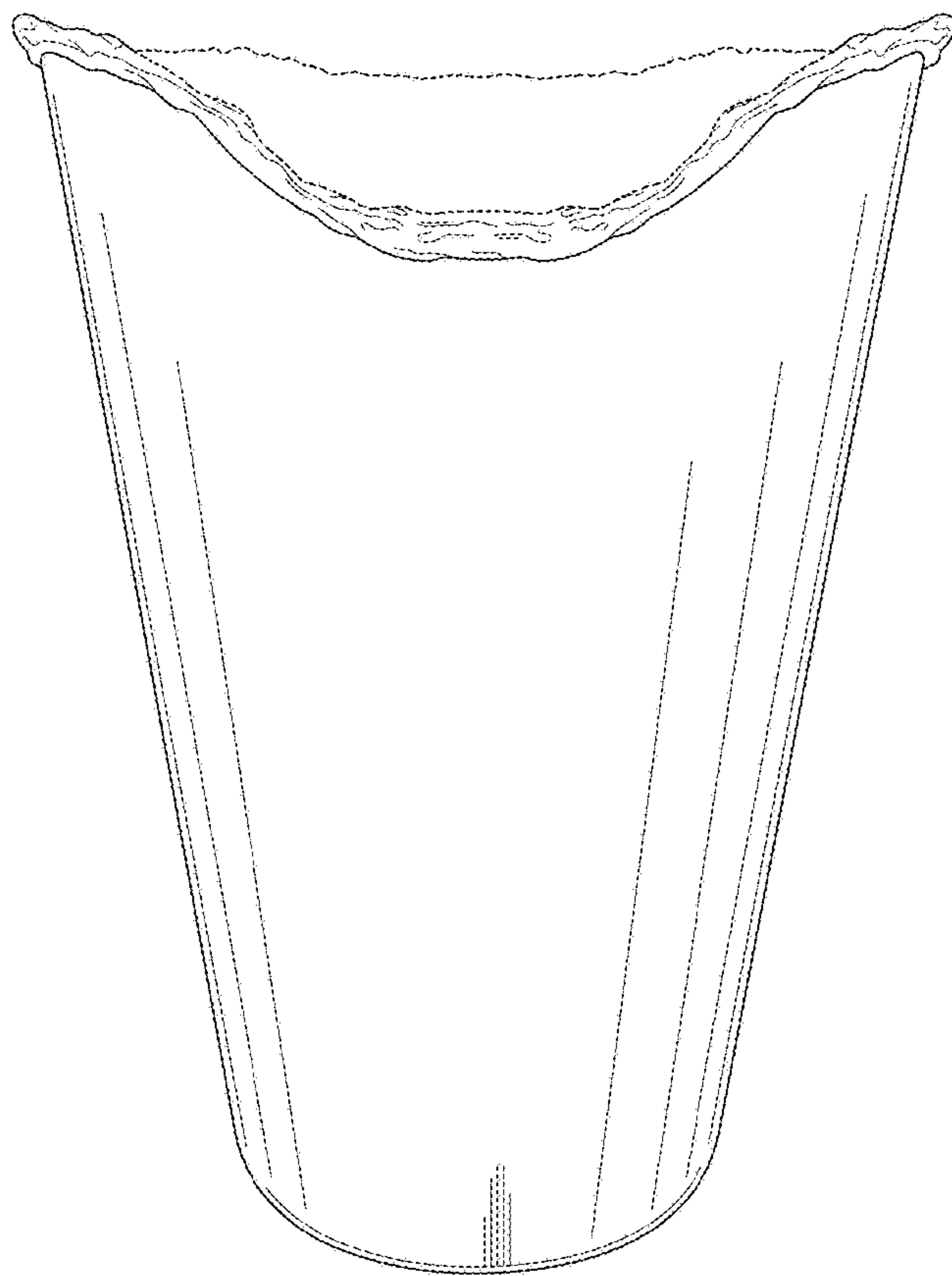


FIG. 2

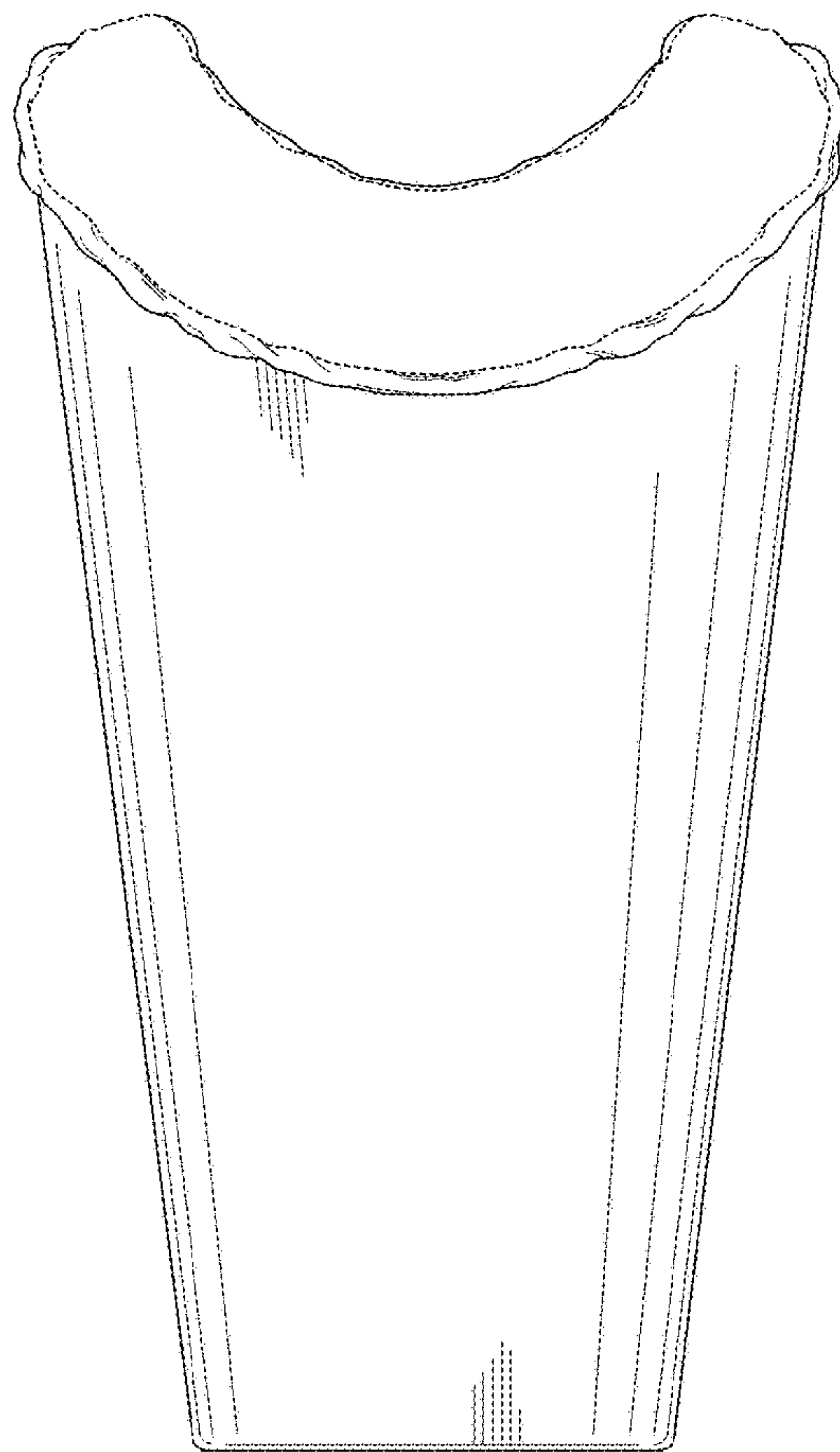


FIG. 3

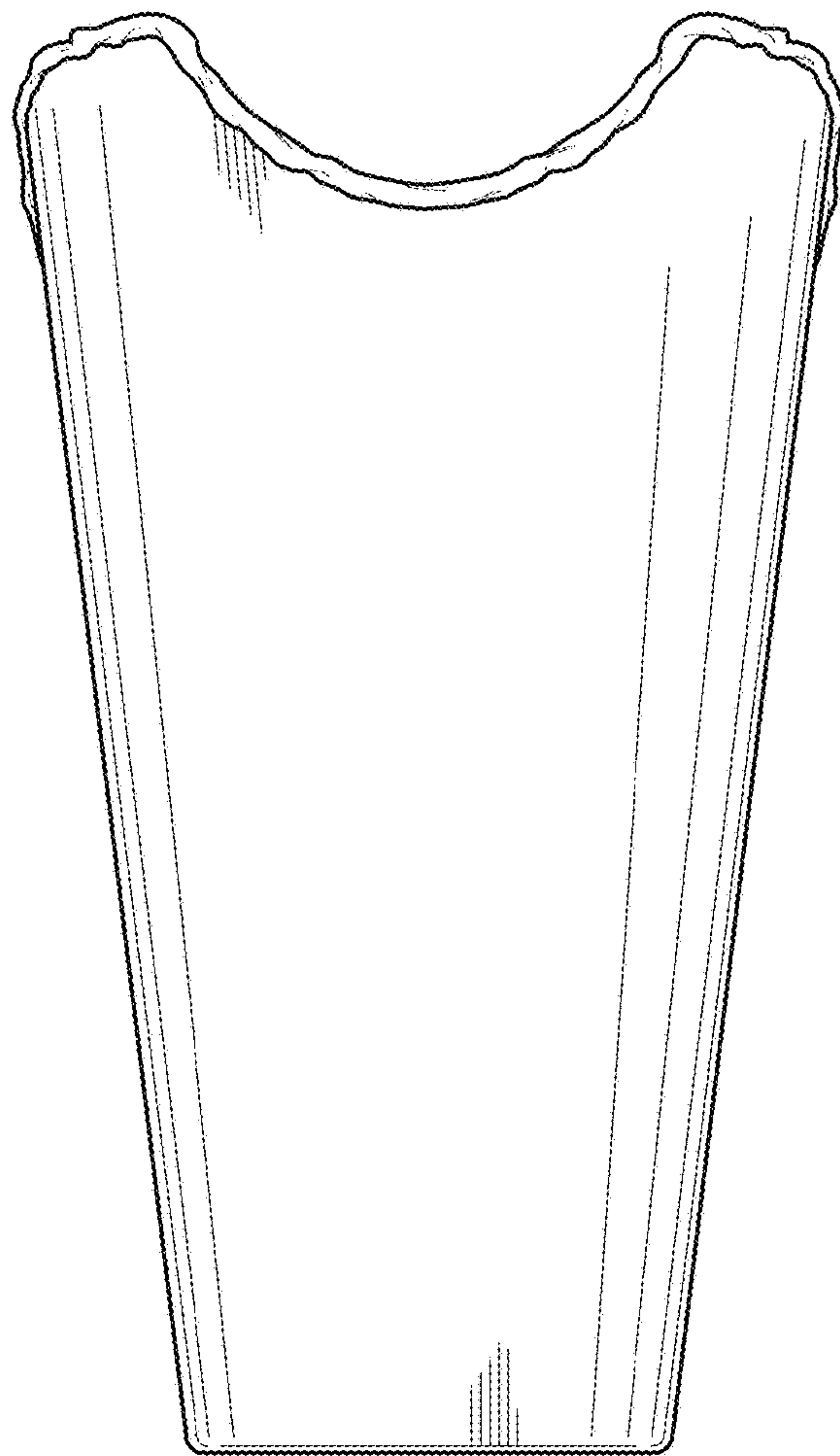


FIG. 4

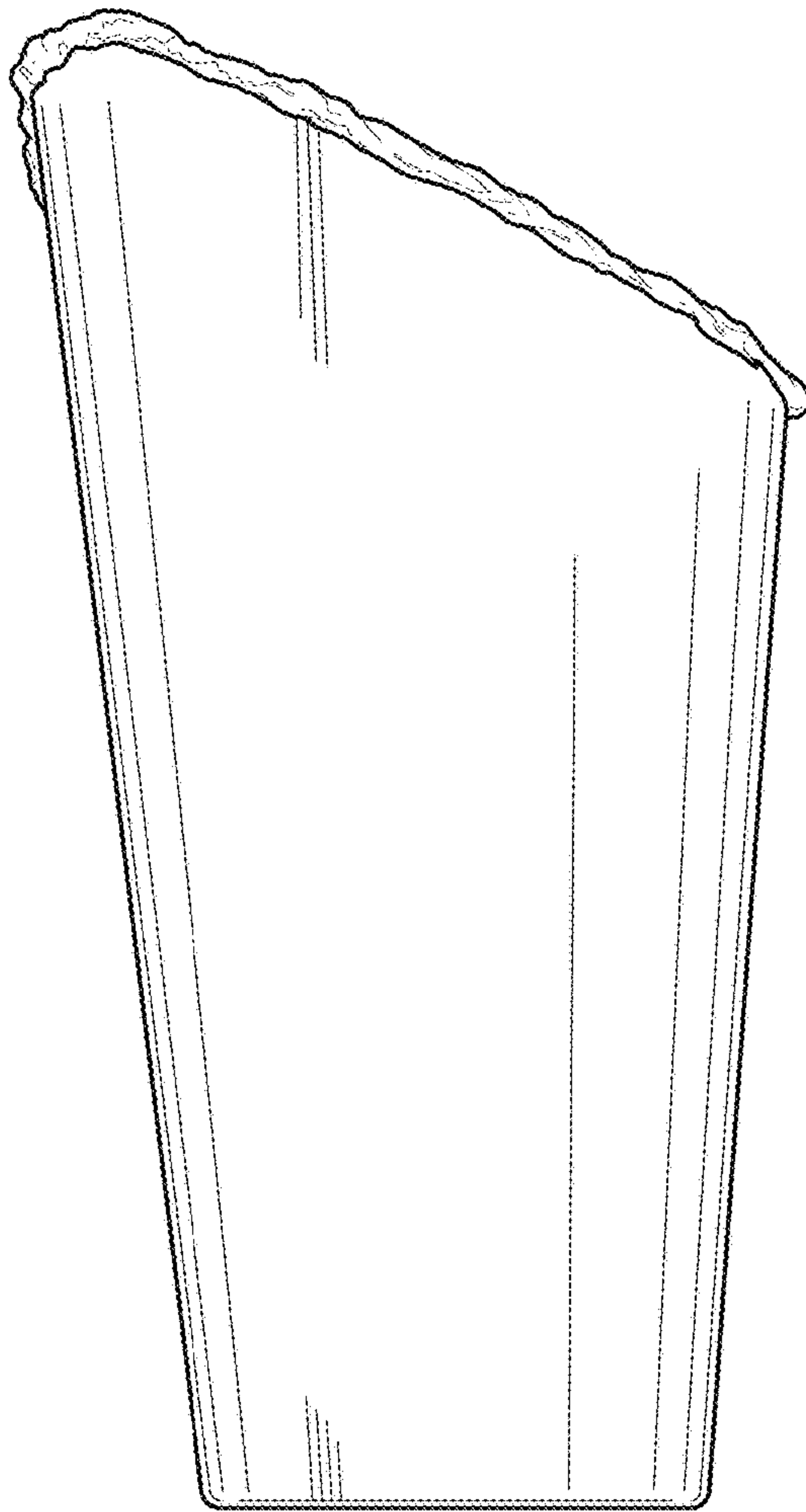


FIG. 5

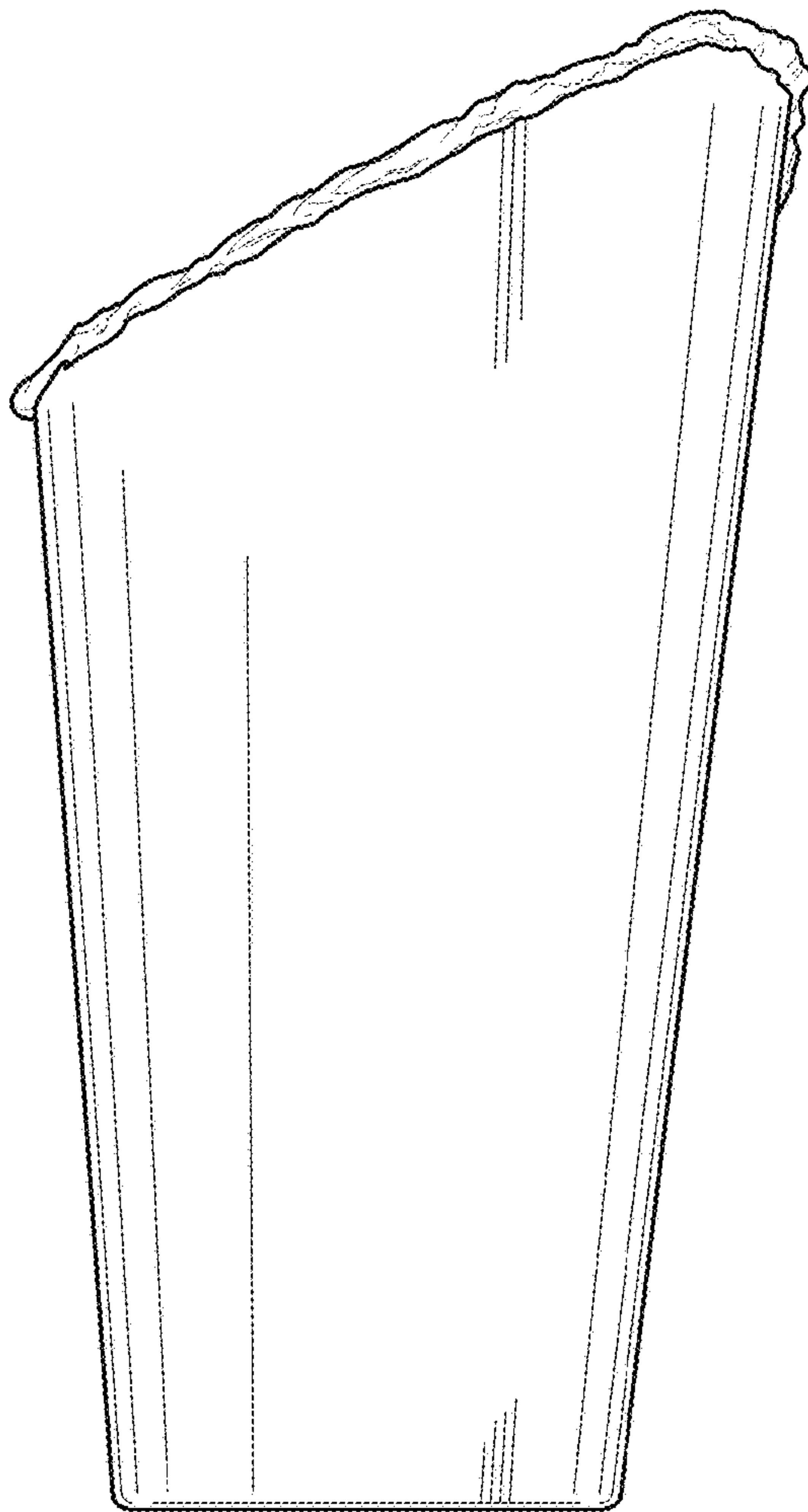


FIG. 6

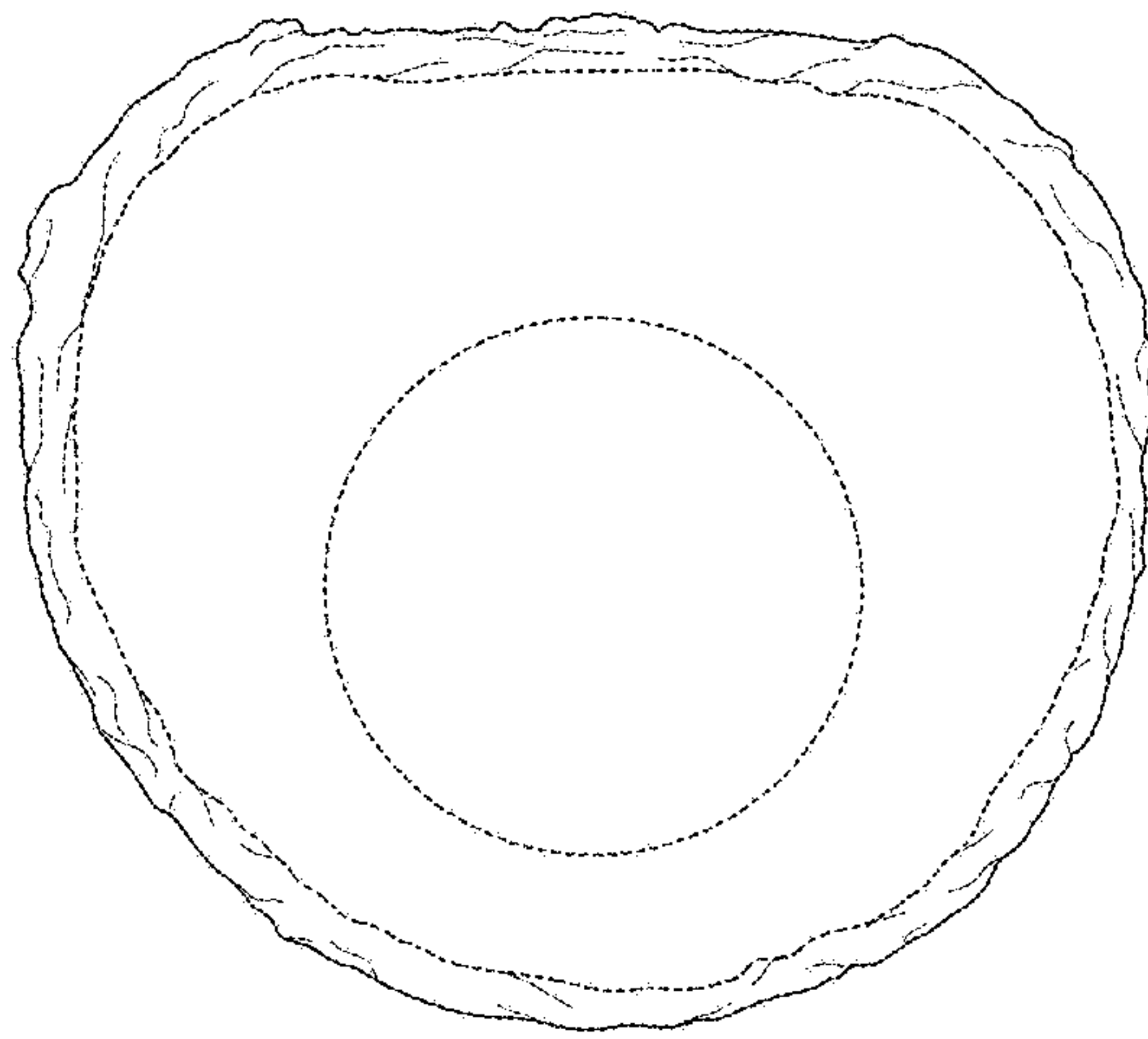


FIG. 7