

US00D849245S

(12) **United States Design Patent**  
**Eitzman et al.**

(10) **Patent No.:** **US D849,245 S**  
(45) **Date of Patent:** **\*\* May 21, 2019**

(54) **VALVE COVER**

FOREIGN PATENT DOCUMENTS

(71) Applicant: **3M INNOVATIVE PROPERTIES COMPANY**, St. Paul, MN (US)

CN 202751705 2/2013  
CN 104147719 11/2014

(Continued)

(72) Inventors: **Philip D. Eitzman**, Lake Elmo, MN (US); **Thomas J. Xue**, Woodbury, MN (US)

*Primary Examiner* — Lilyana Bekic

(73) Assignee: **3M Innovative Properties Company**, St. Paul, MN (US)

(57) **CLAIM**

The ornamental design for a valve cover, as shown and described.

(\*\*) Term: **15 Years**

(21) Appl. No.: **29/577,889**

**DESCRIPTION**

(22) Filed: **Sep. 16, 2016**

(51) **LOC (11) Cl.** ..... **29-02**

(52) **U.S. Cl.**

USPC ..... **D24/110.6**; D4/110.1; D4/129

(58) **Field of Classification Search**

USPC ..... D24/110.1, 110.6, 162, 127, 129;  
D23/332, 335, 355, 356, 366, 388, 412;  
D29/102, 105, 106; D3/272, 273, 302,  
D3/903; D9/420, 430, 432

CPC ..... A62B 18/025; A62B 18/02; A62B 9/02;  
A62B 18/084; A62B 23/02; A62B 7/10;  
A62B 18/08; A61M 16/208; A61M  
16/201; A61M 16/207; A61M 16/20;  
A61M 16/06; A61M 16/0003; A61M  
16/206

See application file for complete search history.

U.S. App. Ser. No. 29/577,873 filed on Sep. 16, 2016, entitled "Valve Cover," is incorporated herein by reference in its entirety.

FIG. 1 is a right top perspective view of a valve cover in accordance with our new design;

FIG. 2 is a top plan view thereof;

FIG. 3 is a front elevation view thereof;

FIG. 4 is a rear elevation view thereof;

FIG. 5 is a left side elevation view thereof, the right side elevation view is a mirror image thereof;

FIG. 6 is a bottom plan view thereof;

FIG. 7 is a left bottom perspective view thereof;

FIG. 8 is a right top perspective view thereof and shown attached to a base; and,

FIG. 9 is a right top perspective view of FIG. 8 and shown attached to a respirator.

The diagonal surface shading lines indicate that the surface of the valve cover is transparent as further described herein.

The claimed surfaces of the valve cover are transparent surfaces through which objects on the other side of such transparent surfaces are distinctly seen.

The broken lines showing the base in FIGS. 8-9 and the respirator in FIG. 9 depict environment and form no part of the claimed design. All other broken lines depict portions of the valve cover that form no part of the claimed design.

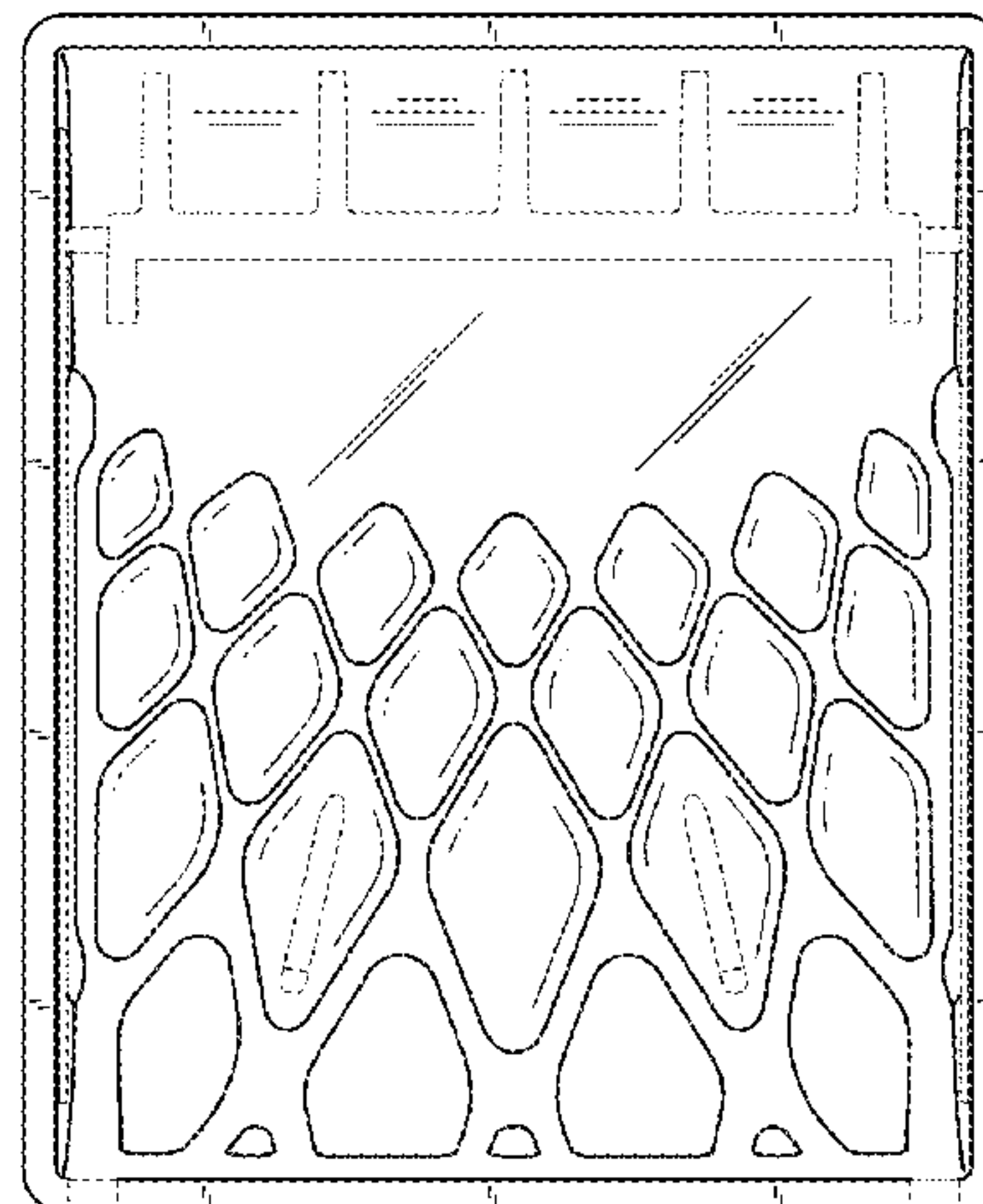
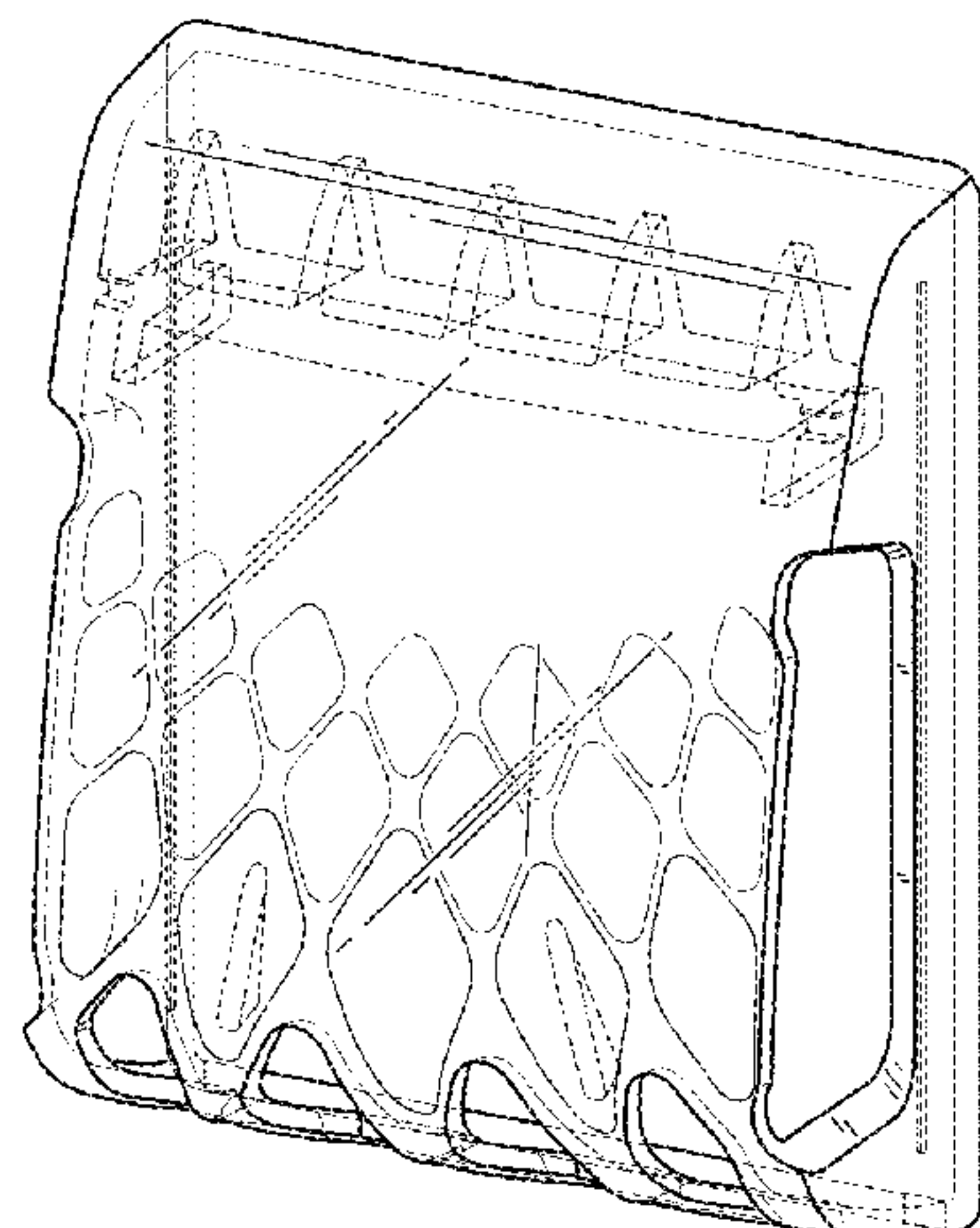
(56) **References Cited**

U.S. PATENT DOCUMENTS

1,268,696 A 6/1918 Donald  
2,999,498 A 9/1961 Matheson  
3,474,783 A 10/1969 Ulmann  
4,414,973 A 11/1983 Matheson  
4,630,862 A 12/1986 Watanabe  
4,749,003 A 6/1988 Leason

(Continued)

**1 Claim, 4 Drawing Sheets**



# US D849,245 S

(56)

## References Cited

### U.S. PATENT DOCUMENTS

4,838,262	A	6/1989	Katz	
4,934,362	A	6/1990	Braun	
4,958,633	A	9/1990	Angell	
4,974,586	A	12/1990	Wandel	
4,981,134	A	1/1991	Courtney	
D347,298	S *	5/1994	Japuntich	D24/110.4
D347,299	S *	5/1994	Bryant	D16/313
5,325,892	A *	7/1994	Japuntich	A62B 18/025 137/855
5,331,957	A	7/1994	Liu	
5,509,436	A *	4/1996	Japuntich	A62B 18/025 137/15.18
5,687,767	A	11/1997	Bowers	
D389,239	S *	1/1998	Scholey	D24/110.6
6,047,698	A	4/2000	Magidson	
6,102,039	A *	8/2000	Springett	B32B 5/26 128/206.12
D431,647	S *	10/2000	Henderson	D24/110.1
6,125,849	A *	10/2000	Williams	A62B 23/025 128/206.12
6,460,539	B1 *	10/2002	Japuntich	A41D 13/1138 128/205.12
RE37,974	E *	2/2003	Bowers	A62B 18/10 128/205.24
6,843,248	B2	1/2005	Japuntich	
7,007,695	B2	3/2006	Curran	
7,013,895	B2	3/2006	Martin	
7,013,985	B2	3/2006	Sasaki	
7,028,689	B2	4/2006	Martin	
7,069,931	B2	4/2006	Curran	
7,117,868	B1 *	10/2006	Japuntich	A62B 18/025 128/205.27
7,188,622	B2	3/2007	Martin	
7,503,326	B2	3/2009	Martin	
RE43,289	E *	4/2012	Bowers	A62B 18/10 128/205.24
D657,052	S *	4/2012	Amin	D24/110.1
D657,053	S *	4/2012	Amin	D24/110.1
D676,527	S *	2/2013	Xue	D23/248
D698,498	S *	1/2014	Fleming	D29/108
9,408,424	B2 *	8/2016	Noh	A41D 13/1161
D827,811	S *	9/2018	Eitzman	D24/110.6
D827,812	S *	9/2018	Eitzman	D24/110.6

D828,546	S *	9/2018	Eitzman	D24/110.6
2002/0023651	A1 *	2/2002	Japuntich	A41D 13/11 128/206.15
2002/0195108	A1	12/2002	Mittelstadt	
2003/0000531	A1	1/2003	Tuck	
2004/0255947	A1	12/2004	Martin	
2005/0061327	A1 *	3/2005	Martin	A62B 18/10 128/206.15
2005/0155607	A1	7/2005	Martin	
2007/0144524	A1	6/2007	Martin	
2008/0026172	A1 *	1/2008	Stelter	A41D 13/1146 428/36.1
2008/0026173	A1 *	1/2008	Angadjivand	A41D 13/1146 428/36.1
2008/0318014	A1 *	12/2008	Angadjivand	A41D 13/1146 428/219
2009/0000624	A1 *	1/2009	Lee	A41D 13/1161 128/207.11
2009/0044811	A1	2/2009	Welchel	
2009/0235934	A1 *	9/2009	Martin	A41D 13/1138 128/206.15
2011/0139158	A1 *	6/2011	Xue	A62B 18/025 128/206.15
2012/0125341	A1 *	5/2012	Gebrewold	A62B 18/025 128/206.12
2012/0125342	A1 *	5/2012	Gebrewold	A62B 18/025 128/206.12
2014/0190492	A1 *	7/2014	Noh	A41D 13/1161 128/863
2016/0375276	A1 *	12/2016	Martin	A62B 9/006 128/207.12
2017/0340031	A1 *	11/2017	Henderson	A41D 13/11

### FOREIGN PATENT DOCUMENTS

CN	204519423	8/2015
CN	205055246	3/2016
DE	4029939	3/1992
EP	1647310	8/2007
FR	2767482	2/1999
KR	100912233	8/2009
RU	154233	8/2015
WO	WO 2004/112906	12/2004
WO	WO 2011/026515	3/2011
WO	WO 2015/1833177	12/2015

\* cited by examiner



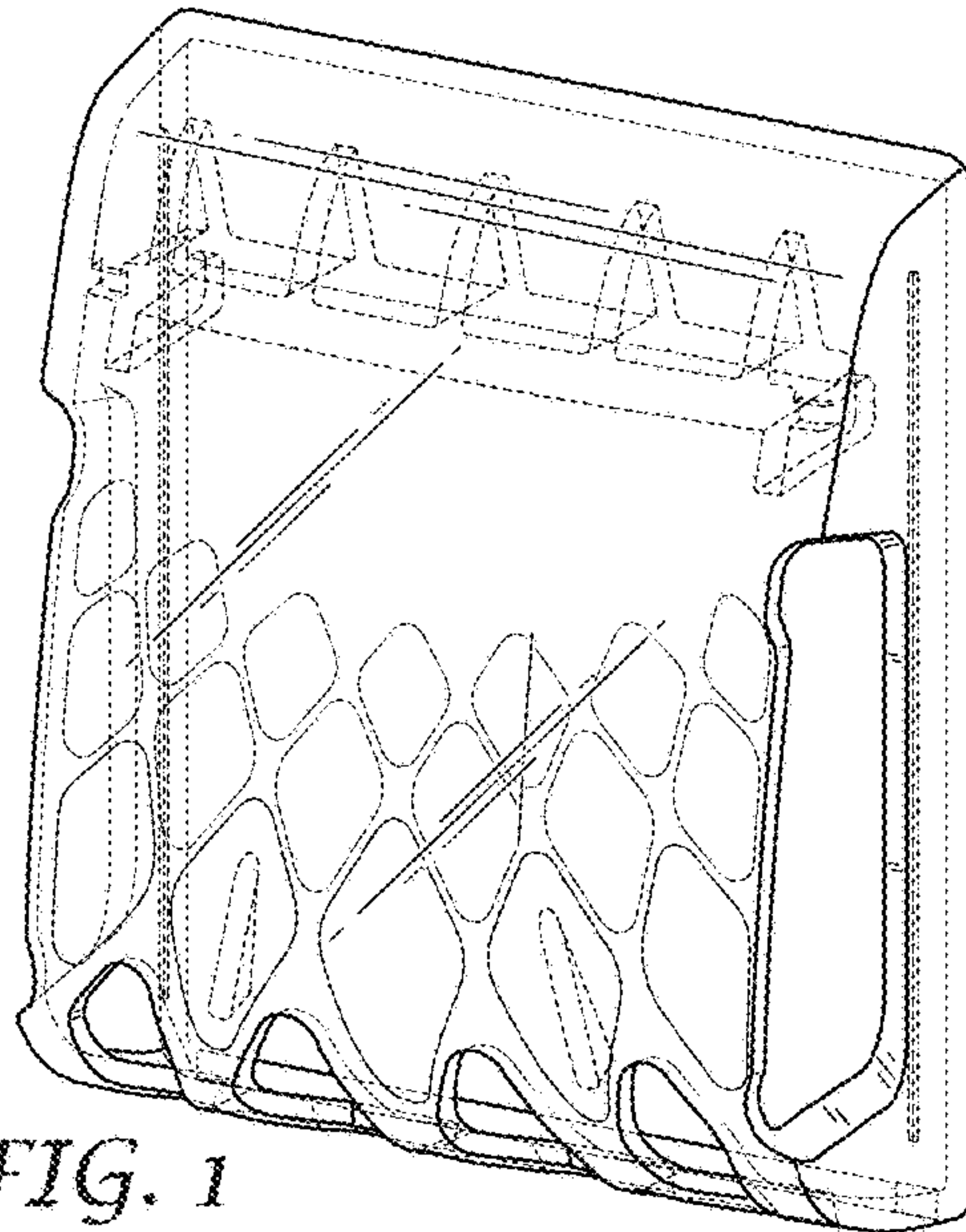


FIG. 1

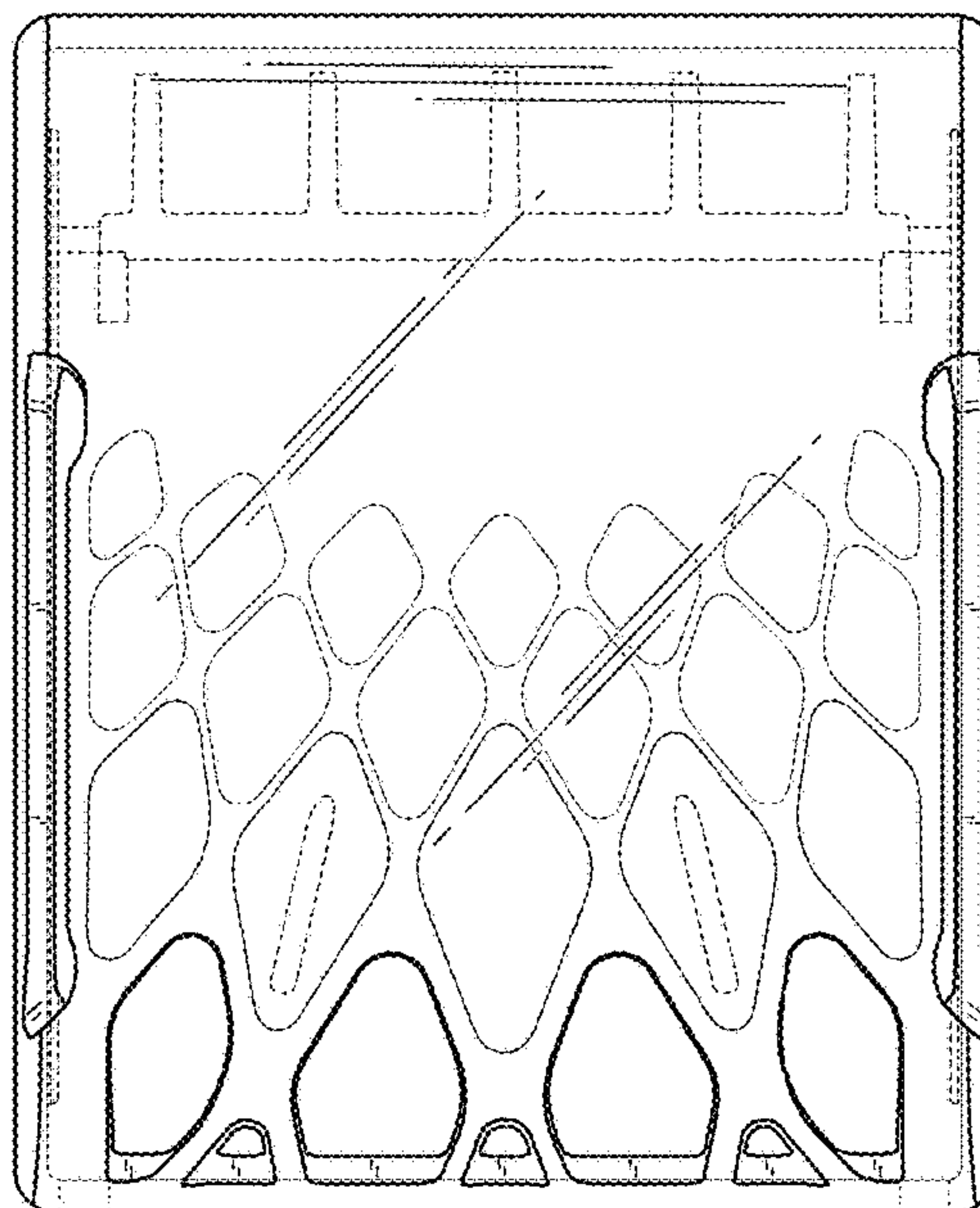


FIG. 2

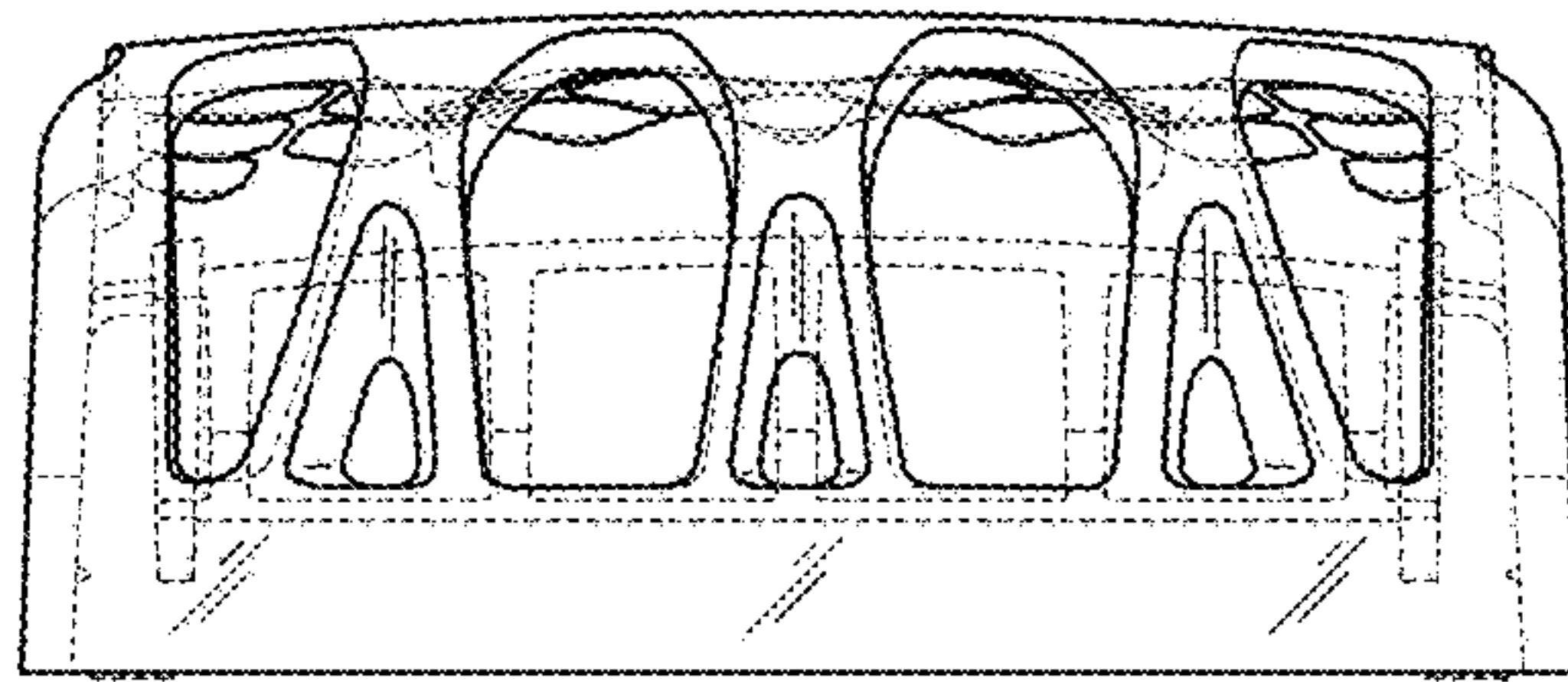


FIG. 3

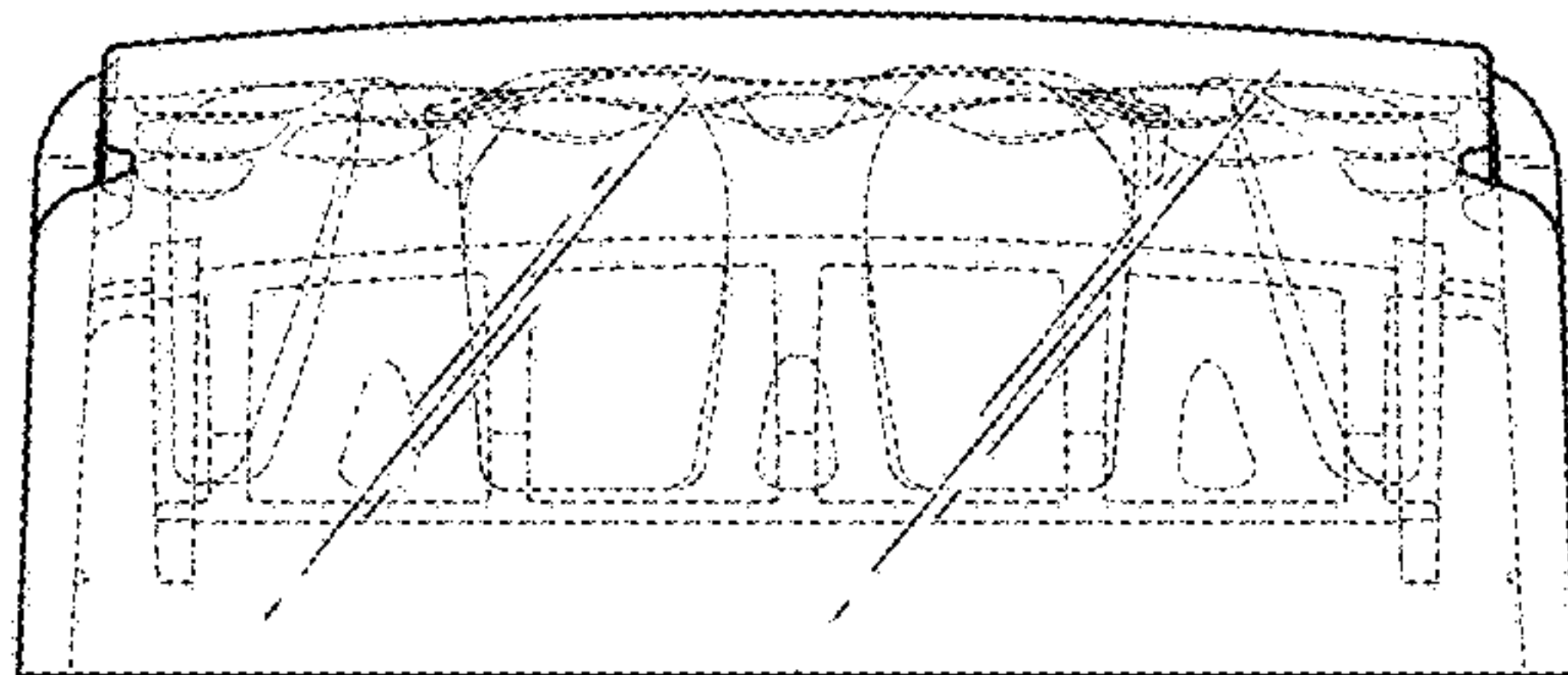


FIG. 4

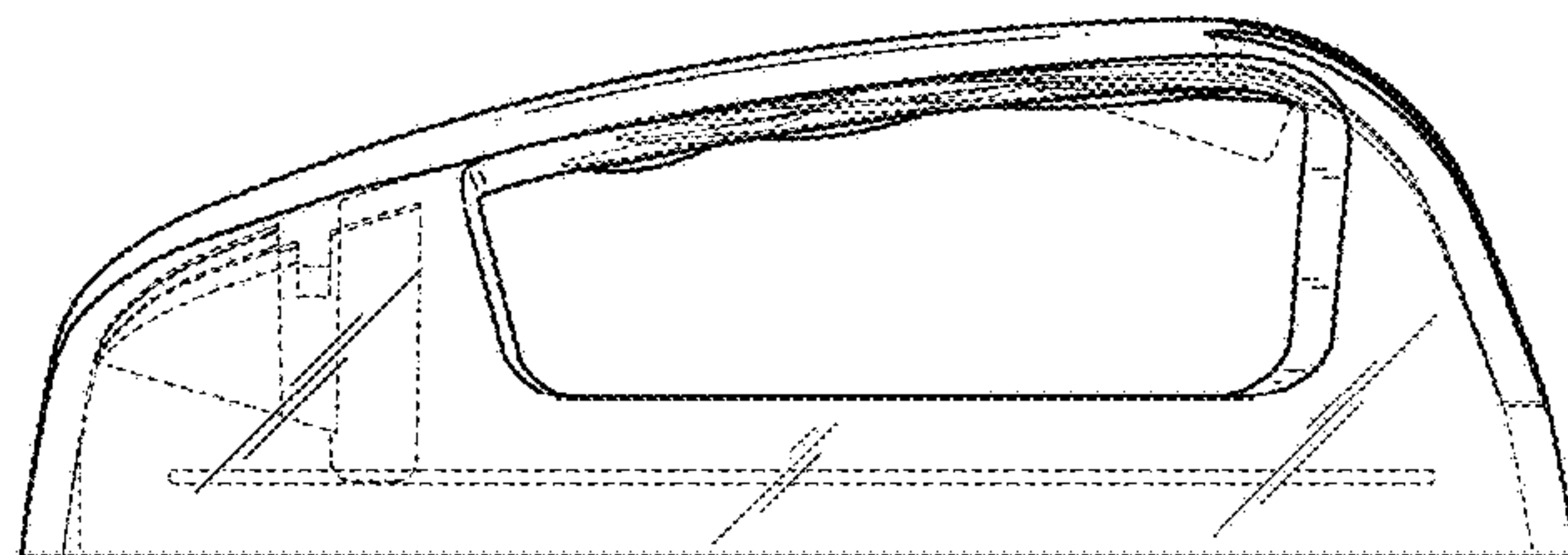


FIG. 5

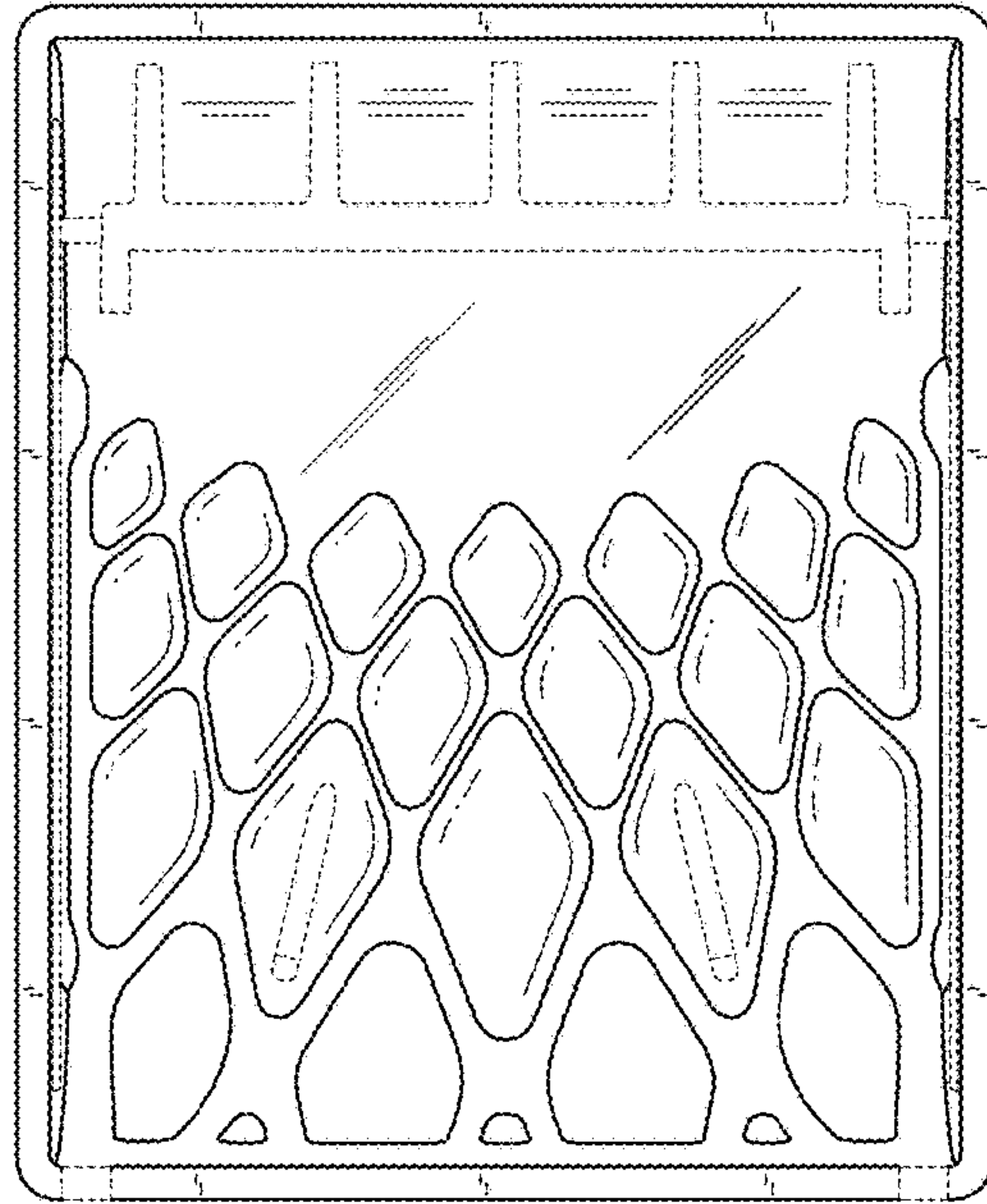


FIG. 6

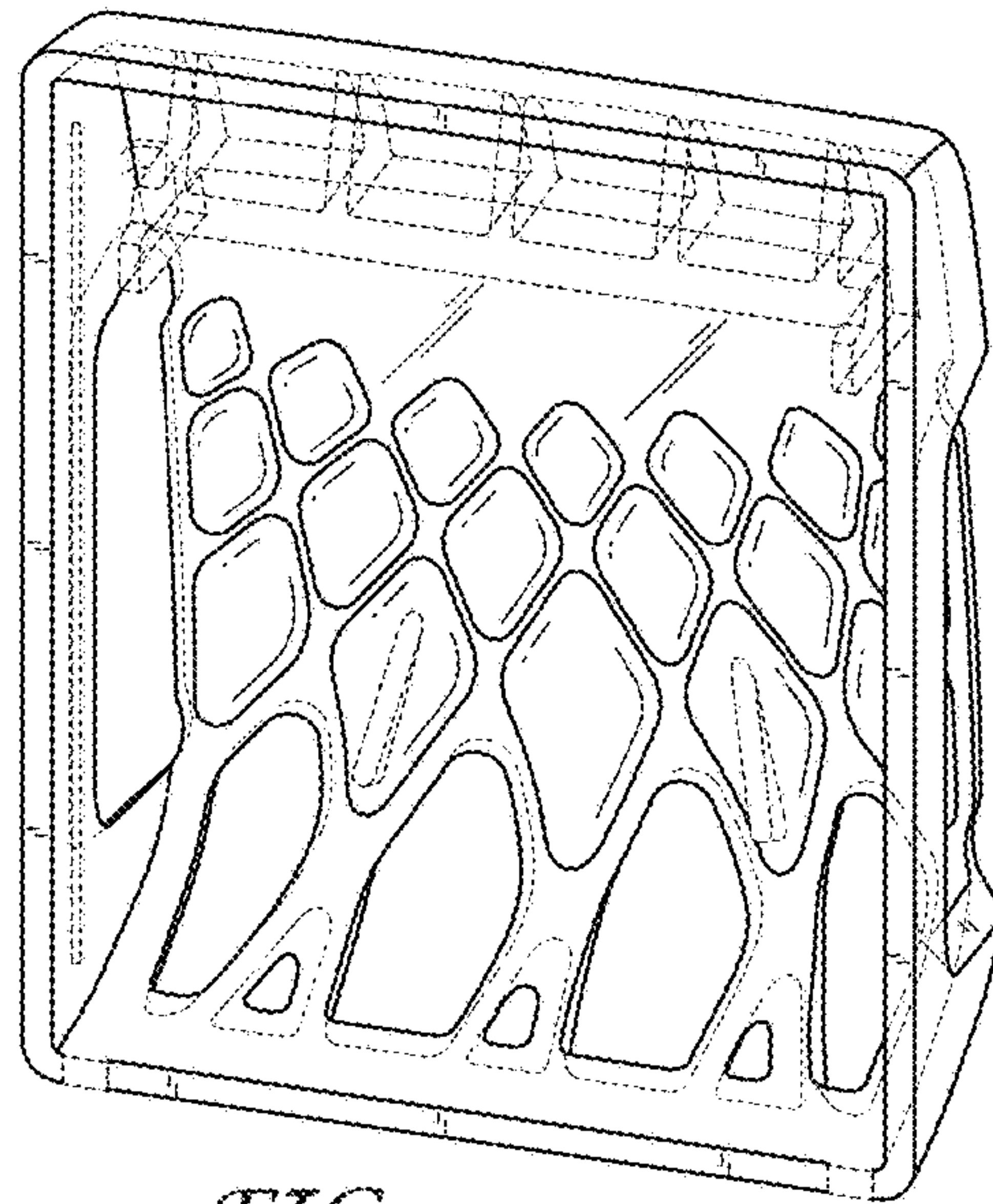


FIG. 7

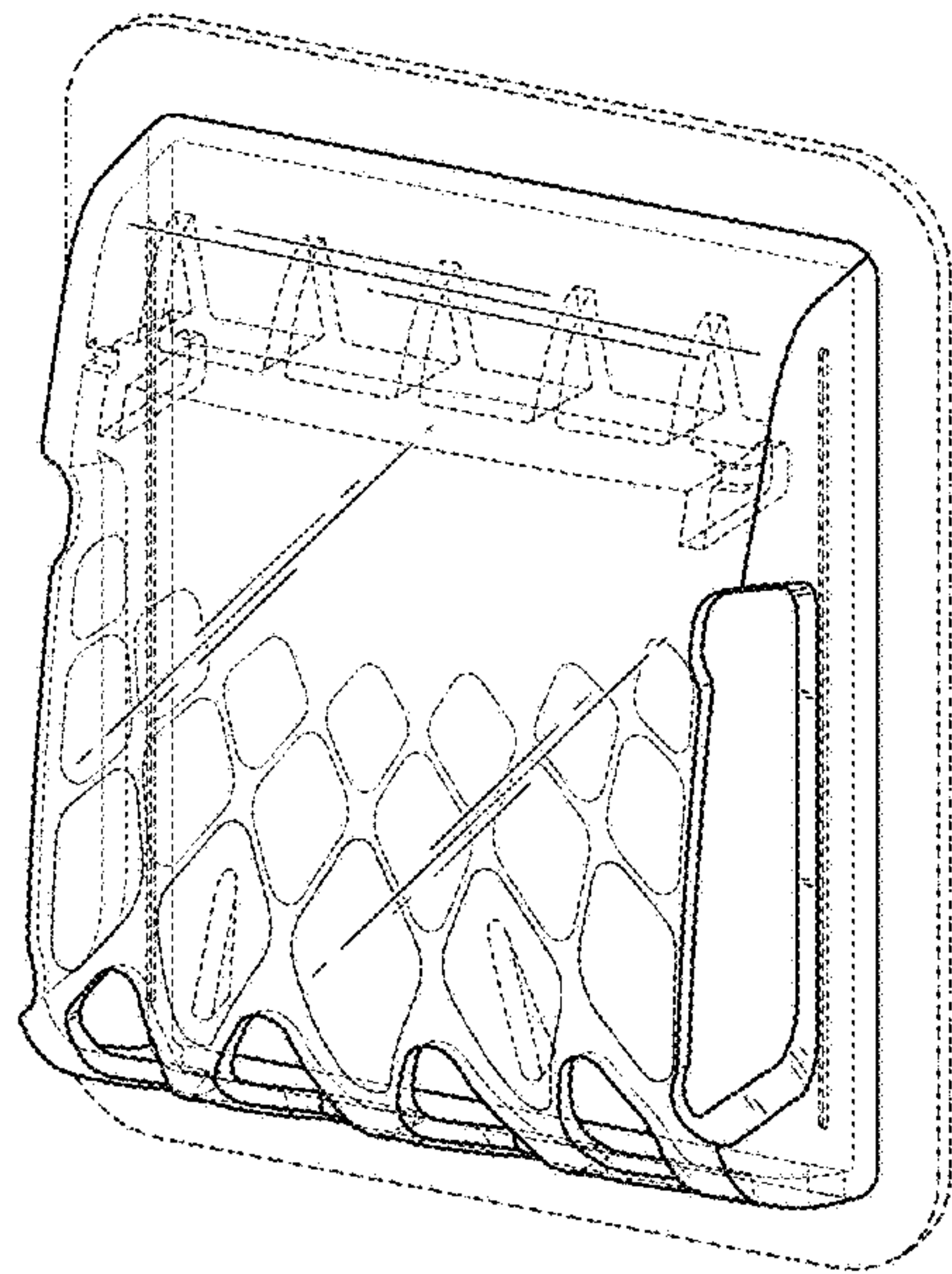


FIG. 8

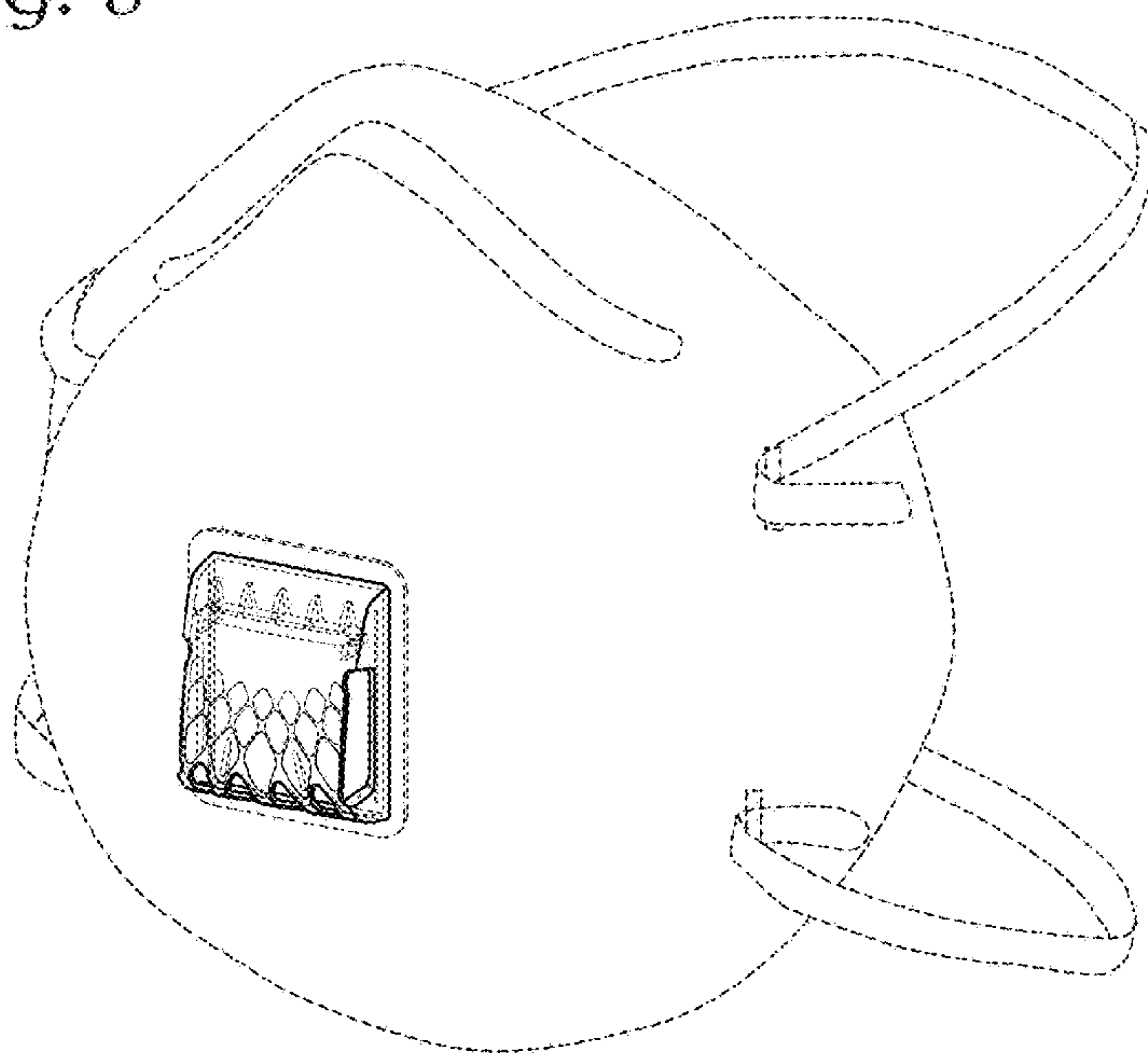


FIG. 9