



US00D849244S

(12) **United States Design Patent** (10) **Patent No.:** **US D849,244 S**  
**Angelini et al.** (45) **Date of Patent:** **\*\* May 21, 2019**

(54) **ACCESSORY FOR DIVING EQUIPMENT**

(71) Applicants: **Sergio Angelini**, Lavagna (IT);  
**Christof Oelrich**, Rapallo (IT);  
**Gabriele Canella**, Rapallo (IT)

(72) Inventors: **Sergio Angelini**, Lavagna (IT);  
**Christof Oelrich**, Rapallo (IT);  
**Gabriele Canella**, Rapallo (IT)

(\*\*) Term: **15 Years**

(21) Appl. No.: **29/577,496**

(22) Filed: **Sep. 13, 2016**

(30) **Foreign Application Priority Data**

Apr. 26, 2016 (EM) ..... 003093855-0002

(51) **LOC (11) Cl.** ..... **29-02**

(52) **U.S. Cl.**  
USPC ..... **D24/110.5**

(58) **Field of Classification Search**  
USPC ..... D24/110–110.6; D29/110  
CPC ..... B63C 11/205; B63C 11/16; B63C 11/186;  
B63C 11/12  
See application file for complete search history.

(56) **References Cited**

**U.S. PATENT DOCUMENTS**

- D245,121 S \* 7/1977 Christianson ..... D24/110.6  
4,683,881 A \* 8/1987 Hansen ..... B63C 11/2227  
128/204.26  
D320,486 S \* 10/1991 Nelepka ..... D24/110.5  
5,690,100 A \* 11/1997 Pomerantz ..... A62B 9/02  
128/204.26  
5,829,432 A \* 11/1998 Semeia ..... B63C 11/186  
128/201.27  
6,021,778 A \* 2/2000 Garofalo ..... B63C 11/2227  
128/201.27  
6,681,766 B1 \* 1/2004 Matsuoka ..... B63C 11/2227  
128/200.25

- 6,718,976 B1 \* 4/2004 Matsuoka ..... B63C 11/2227  
128/204.26  
6,718,977 B1 \* 4/2004 Matsuoka ..... B63C 11/2227  
128/201.26  
7,347,206 B2 \* 3/2008 Pedemonte ..... B63C 11/2227  
128/201.27  
7,617,825 B2 \* 11/2009 Pedemonte ..... B63C 11/2227  
128/201.11  
2005/0016537 A1 \* 1/2005 Pedemonte ..... B63C 11/2227  
128/204.26  
2005/0016538 A1 \* 1/2005 Pedemonte ..... B63C 11/2227  
128/204.26

(Continued)

**OTHER PUBLICATIONS**

DEMA Team. Mares Unveils Loop 15X Regulator at DEMA 2016. Nov. 18, 2016. DeeperBlue.com. <<https://www.deeperblue.com/mares-unveils-loop-15x-regulator-dema-2016/>> (Year: 2016).\*

*Primary Examiner* — Lilyana Bekic  
(74) *Attorney, Agent, or Firm* — Themis Law

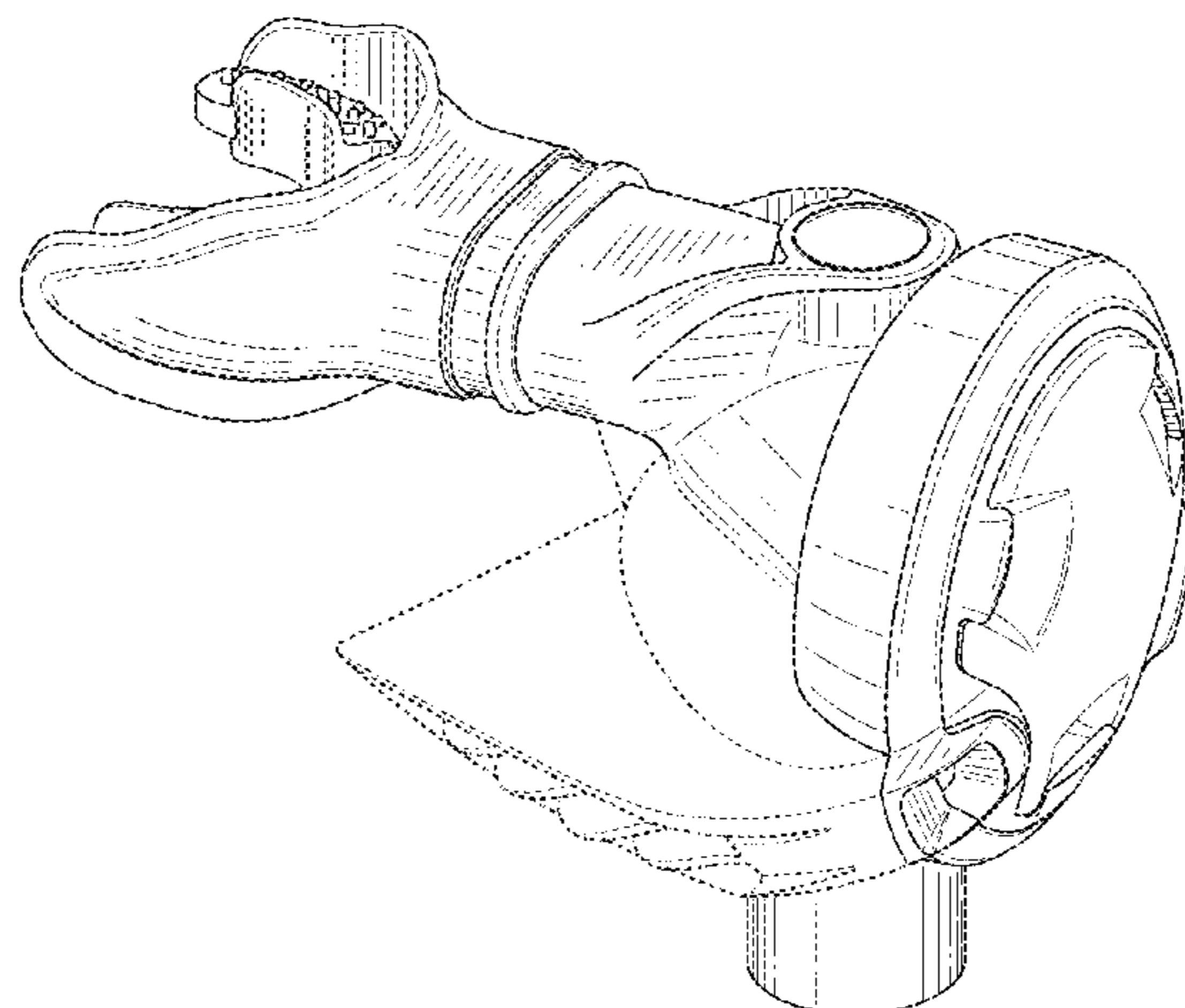
(57) **CLAIM**

The ornamental design for an accessory for diving equipment, as shown and described.

**DESCRIPTION**

FIG. 1 is a perspective view of an accessory for diving equipment showing our new design; FIG. 2 is a top plan view thereof; FIG. 3 is a bottom plan view thereof; FIG. 4 is a front view thereof; FIG. 5 is a rear view thereof; FIG. 6 is a left side elevational view thereof; and, FIG. 7 is a right side elevational view thereof. The broken lines in the drawings depict portions of the accessory for diving equipment that forms no part of the claimed design.

**1 Claim, 7 Drawing Sheets**



(56)

**References Cited**

U.S. PATENT DOCUMENTS

2005/0016539 A1\* 1/2005 Pedemonte ..... B63C 11/2227  
128/204.26  
2005/0022816 A1\* 2/2005 Krawczyk ..... B63C 11/2227  
128/204.26  
2006/0124129 A1\* 6/2006 Wharton ..... A61M 15/0045  
128/204.26  
2013/0133648 A1\* 5/2013 Beach ..... A62B 9/06  
128/202.27  
2017/0253311 A1\* 9/2017 Showers ..... B63C 11/186

\* cited by examiner

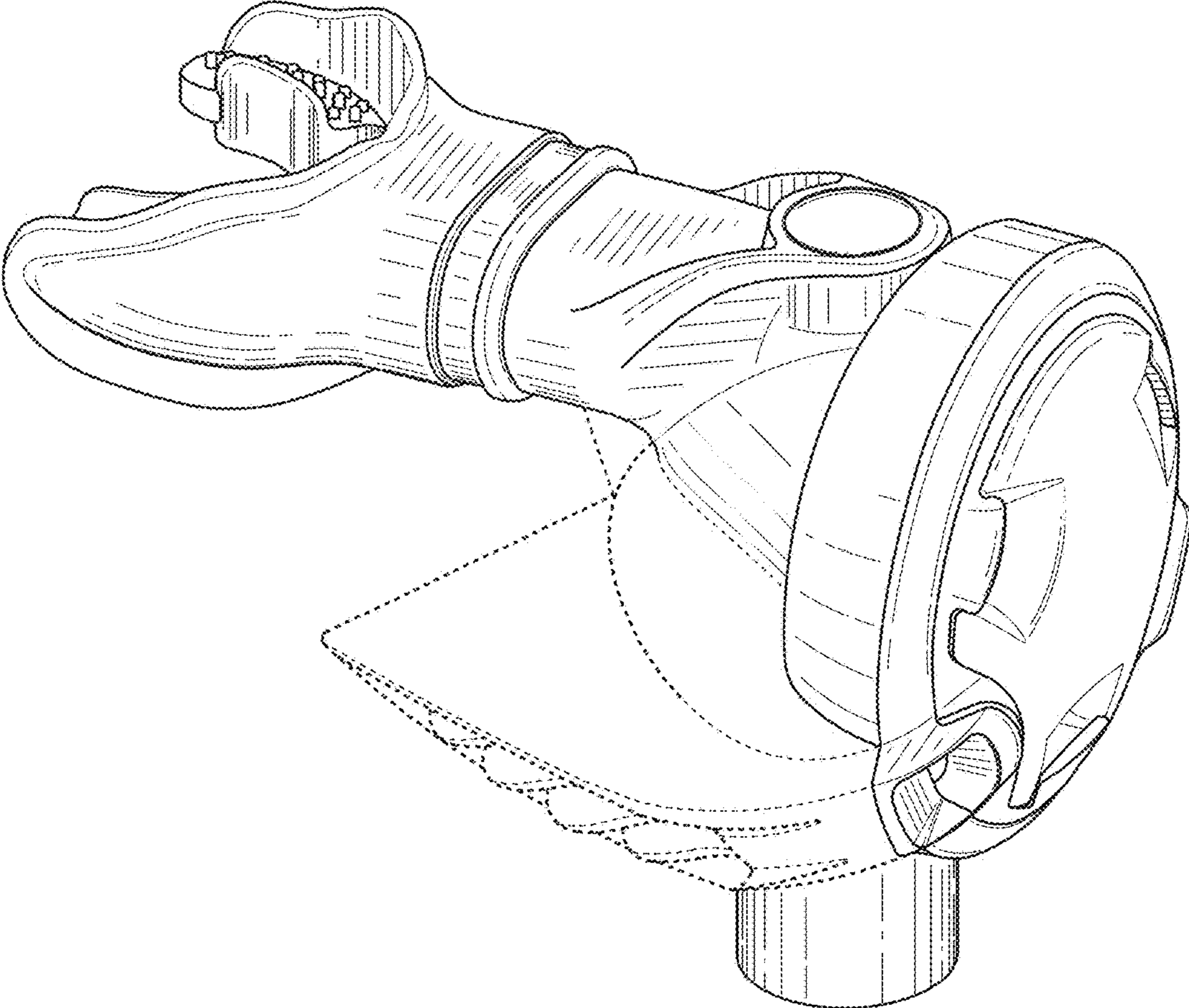


FIG. 1

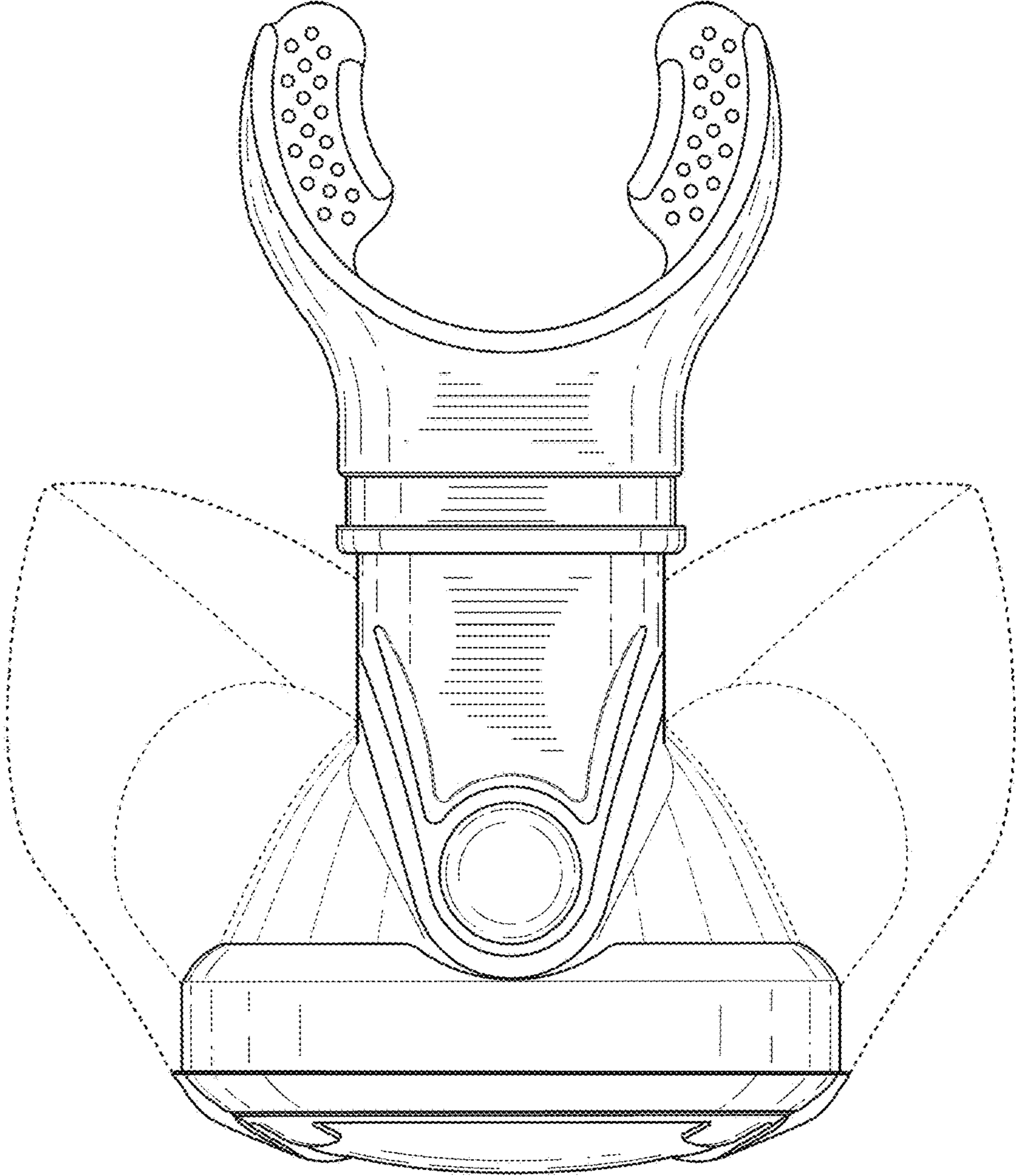


FIG. 2

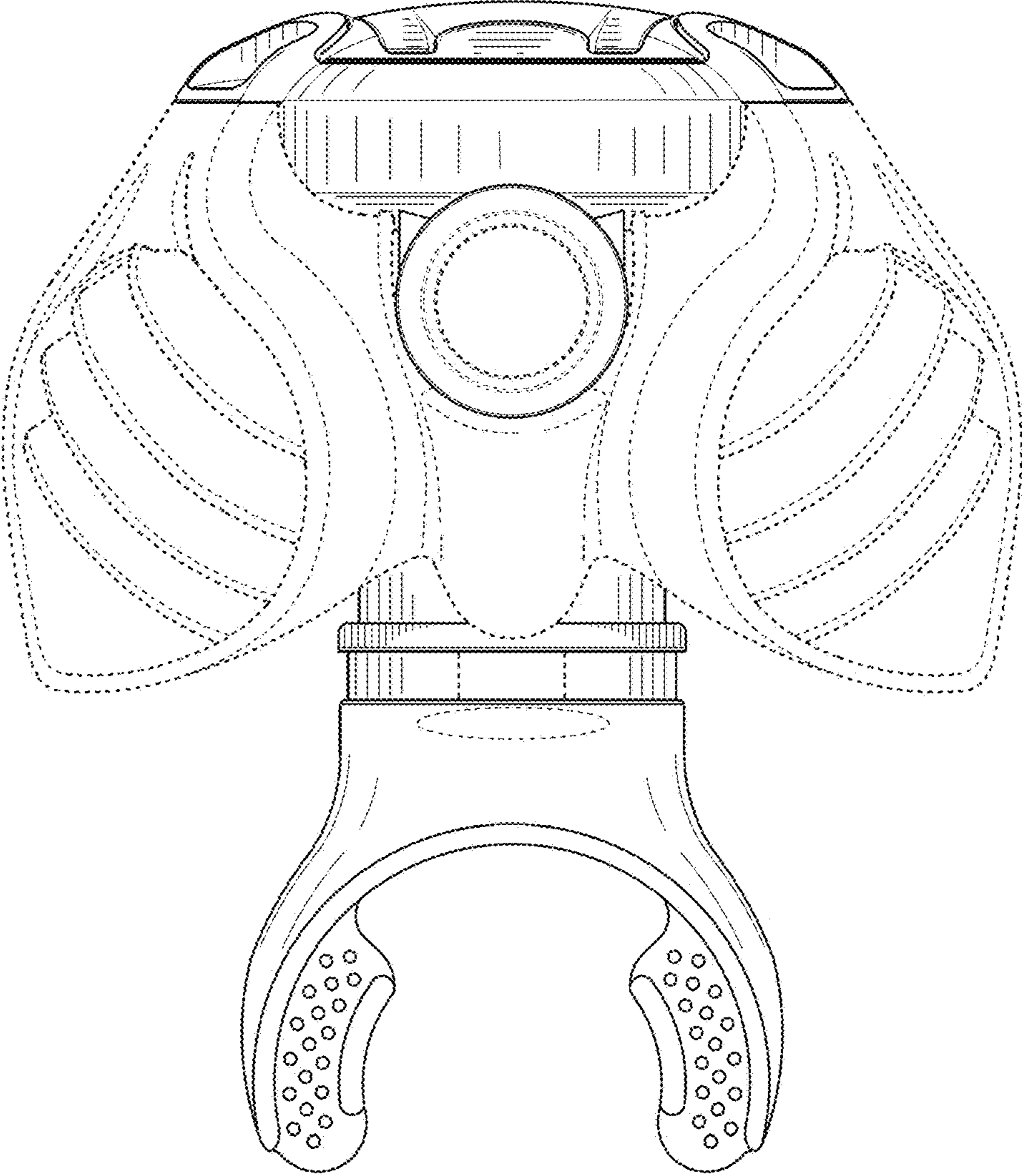


FIG. 3

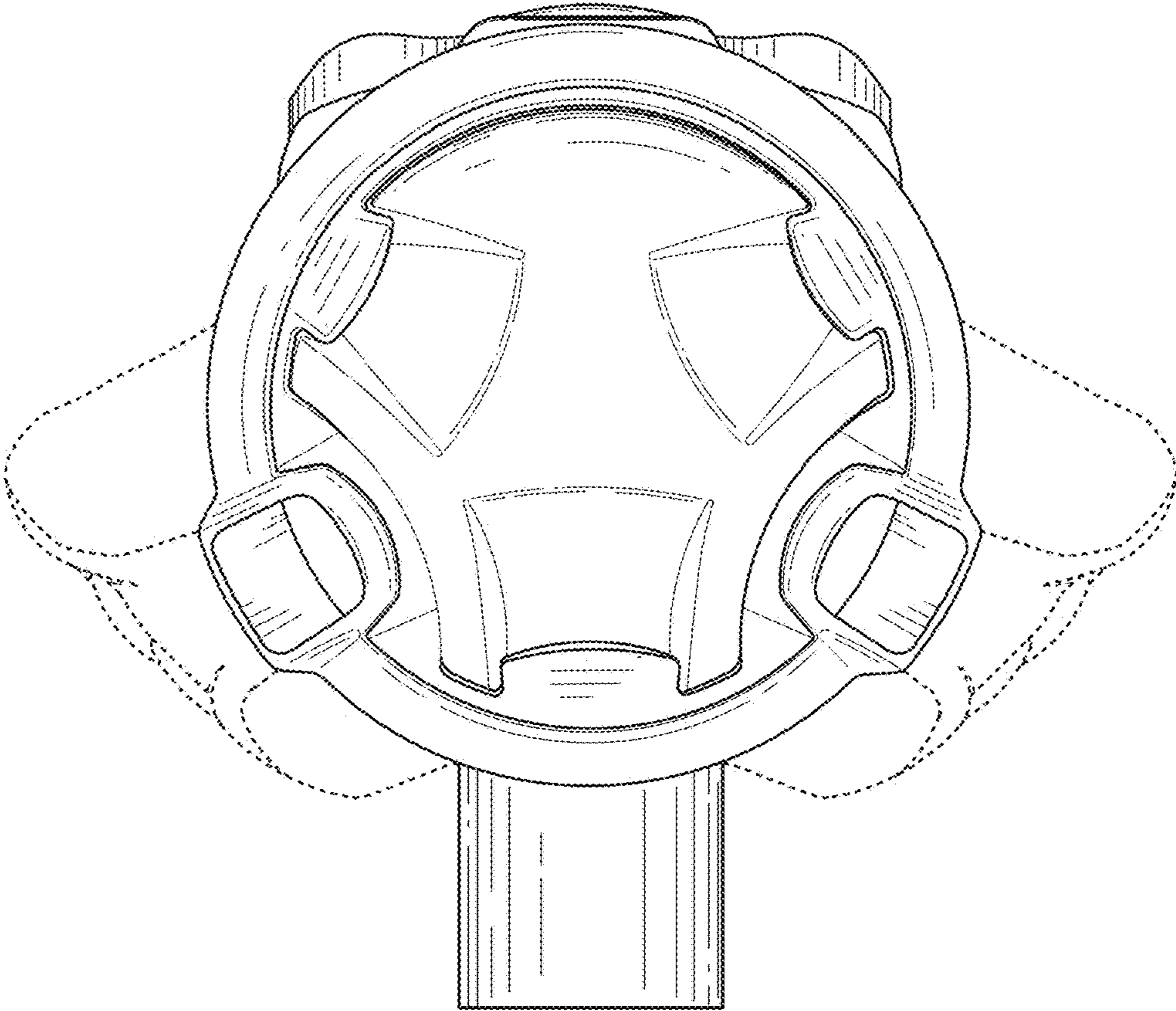


FIG. 4

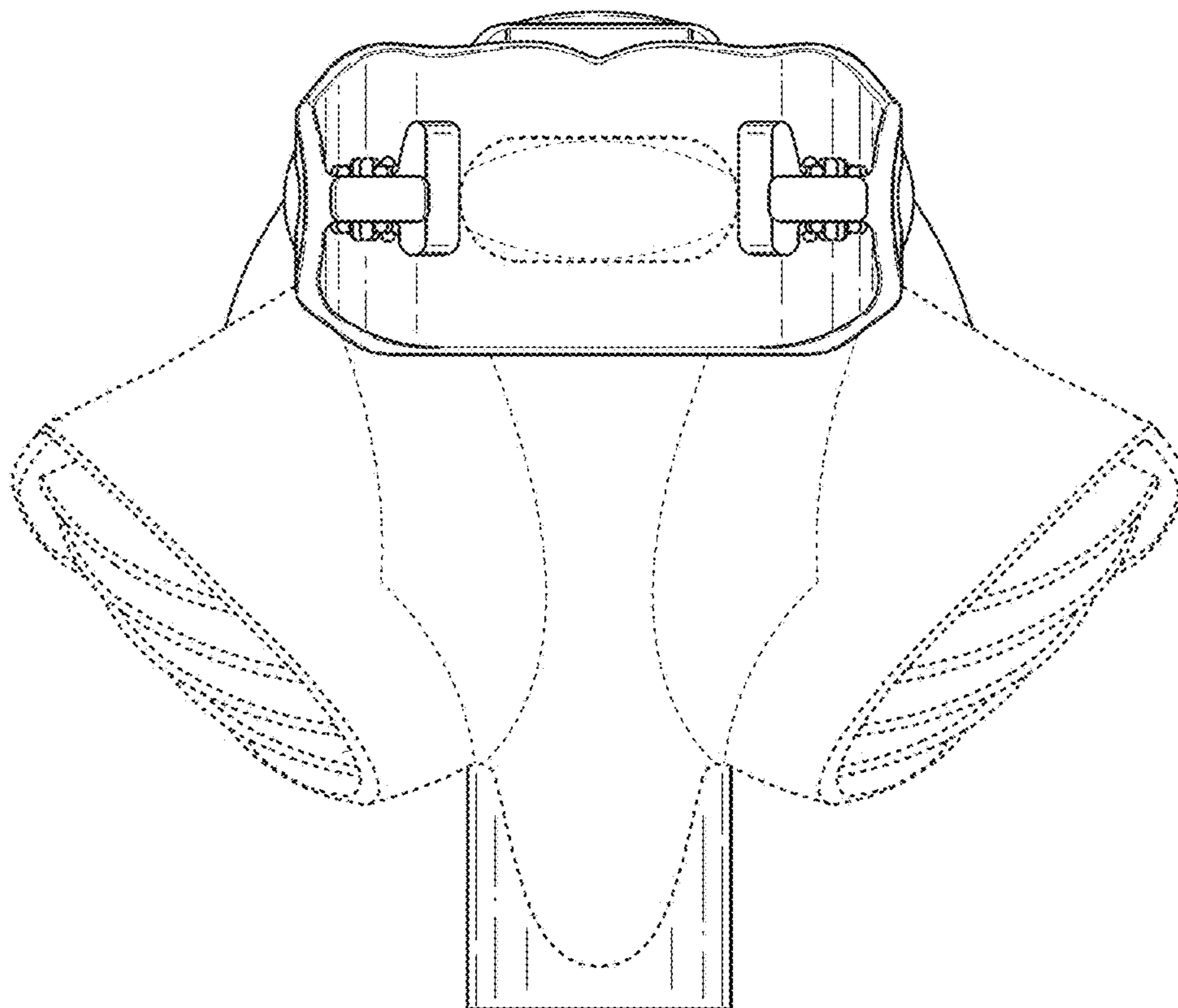


FIG. 5

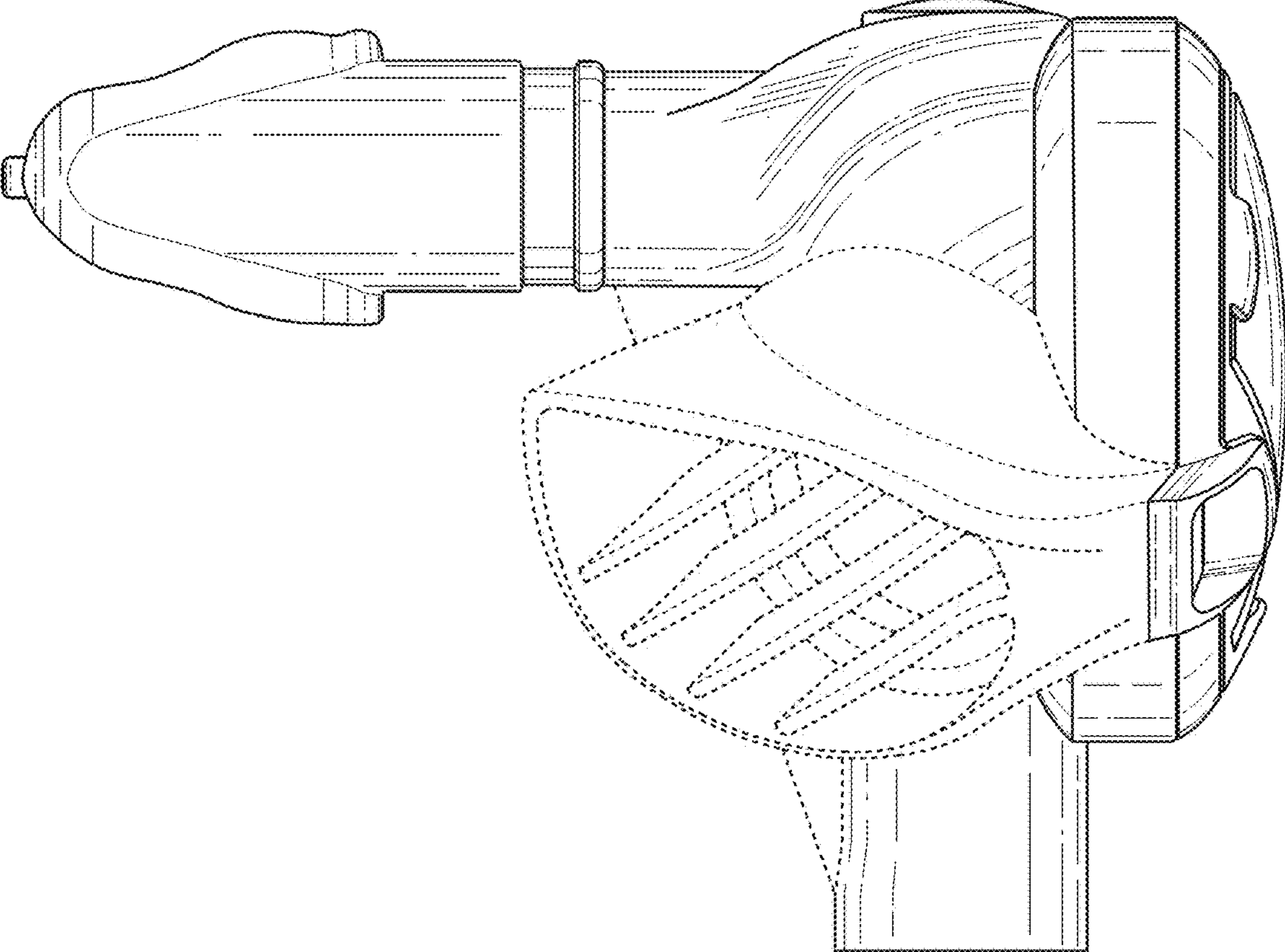


FIG. 6



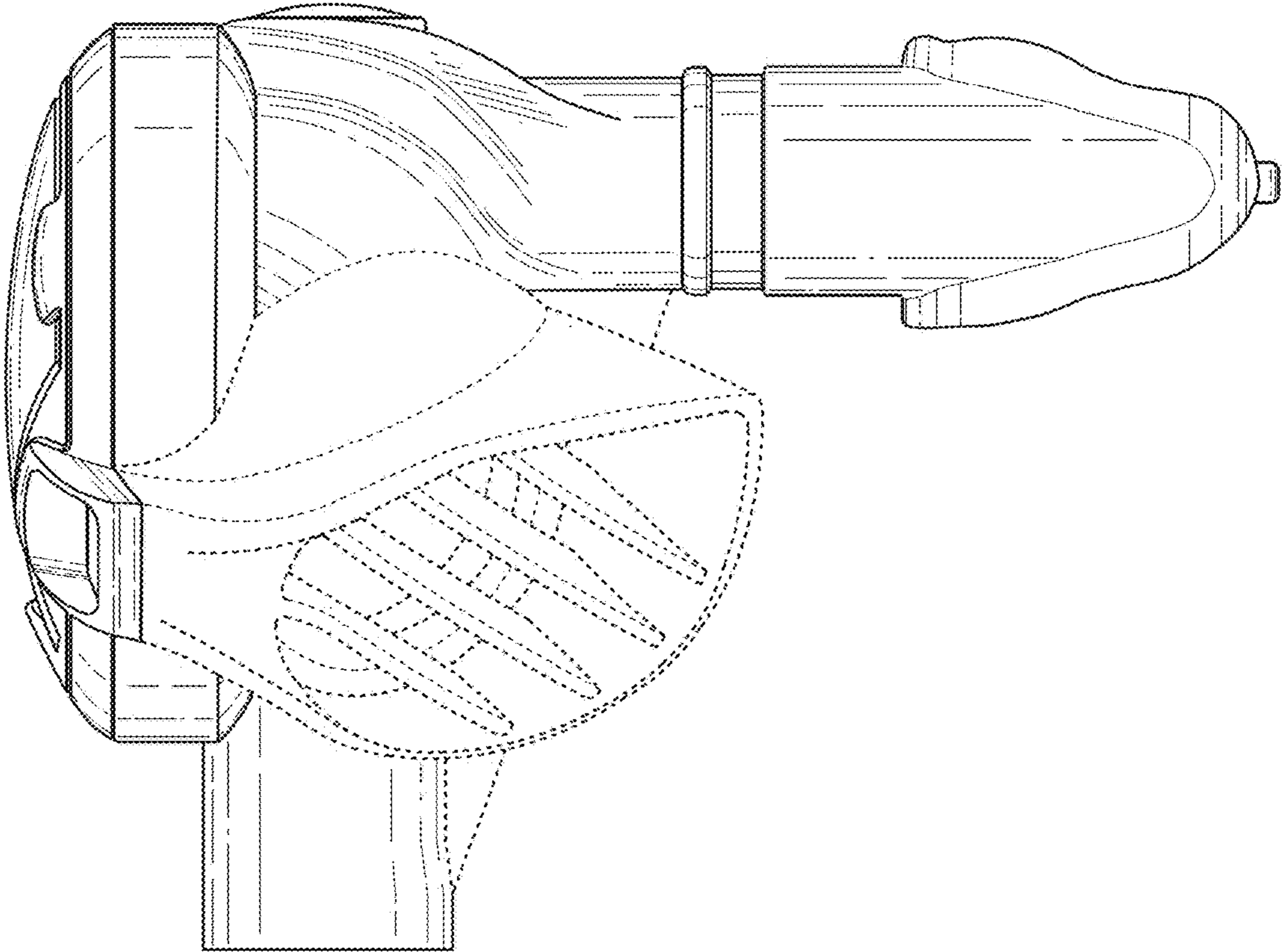


FIG. 7