



US00D849234S

(12) **United States Design Patent** (10) **Patent No.:** **US D849,234 S**
Shantha et al. (45) **Date of Patent:** **** May 21, 2019**

(54) **ORAL AIRWAY DEVICE**

FOREIGN PATENT DOCUMENTS

(71) Applicant: **Wedge Therapeutics, LLC**, Saint Paul, MN (US)

WO WO 2017/006117 1/2017

(72) Inventors: **Totada R. Shantha**, Stone Mountain, GA (US); **Robert Wieden**, Saint Paul, MN (US)

OTHER PUBLICATIONS

Superior Oral Airways that Actually Open the Oropharyngeal Airway. Wedge Therapeutics. Web archive date: Mar. 29, 2018. Retrieved from Internet: <<https://web.archive.org/web/20180329221933/http://wedgetherapeutics.com/>> (Year: 2018).*

(73) Assignee: **Wedge Therapeutics, LLC**, St. Paul, MN (US)

(Continued)

(**) Term: **15 Years**

Primary Examiner — Lilyana Bekic

(21) Appl. No.: **29/636,861**

(74) *Attorney, Agent, or Firm* — Patterson Thuent Pedersen, P.A.

(22) Filed: **Feb. 12, 2018**

(51) **LOC (11) Cl.** **D24-02**

(57) **CLAIM**

(52) **U.S. Cl.**

USPC **D24/110; D24/110.5**

We claim the ornamental design for an oral airway device, as shown and described.

(58) **Field of Classification Search**

USPC D24/108, 110, 110.5, 164, 112

CPC A61M 16/0493; A61M 16/0495; A61M

16/0488; A61M 16/04; A61B 1/267

See application file for complete search history.

DESCRIPTION

(56) **References Cited**

U.S. PATENT DOCUMENTS

2,127,215 A * 8/1938 Gwathmey A61M 16/0488
128/207.14

2,599,521 A 6/1952 Berman

3,306,298 A * 2/1967 Raimo A61M 16/0488
128/207.14

3,419,004 A * 12/1968 Berman A61M 16/0488
128/207.14

3,756,244 A 9/1973 Kinnear et al.

3,930,507 A 1/1976 Berman

4,054,135 A 10/1977 Berman

4,067,331 A 1/1978 Berman

4,112,936 A 9/1978 Blachly

D261,442 S * 10/1981 Anderson D24/110

4,338,930 A 7/1982 Williams

4,363,320 A 12/1982 Kossove

(Continued)

FIG. 1 is a top perspective view of an oral airway device according to an embodiment.

FIG. 2 is a bottom perspective view of the oral airway device depicted in FIG. 1.

FIG. 3 is a right side elevational view of the oral airway device depicted in FIG. 1.

FIG. 4 is a left side elevational view of the oral airway device depicted in FIG. 1.

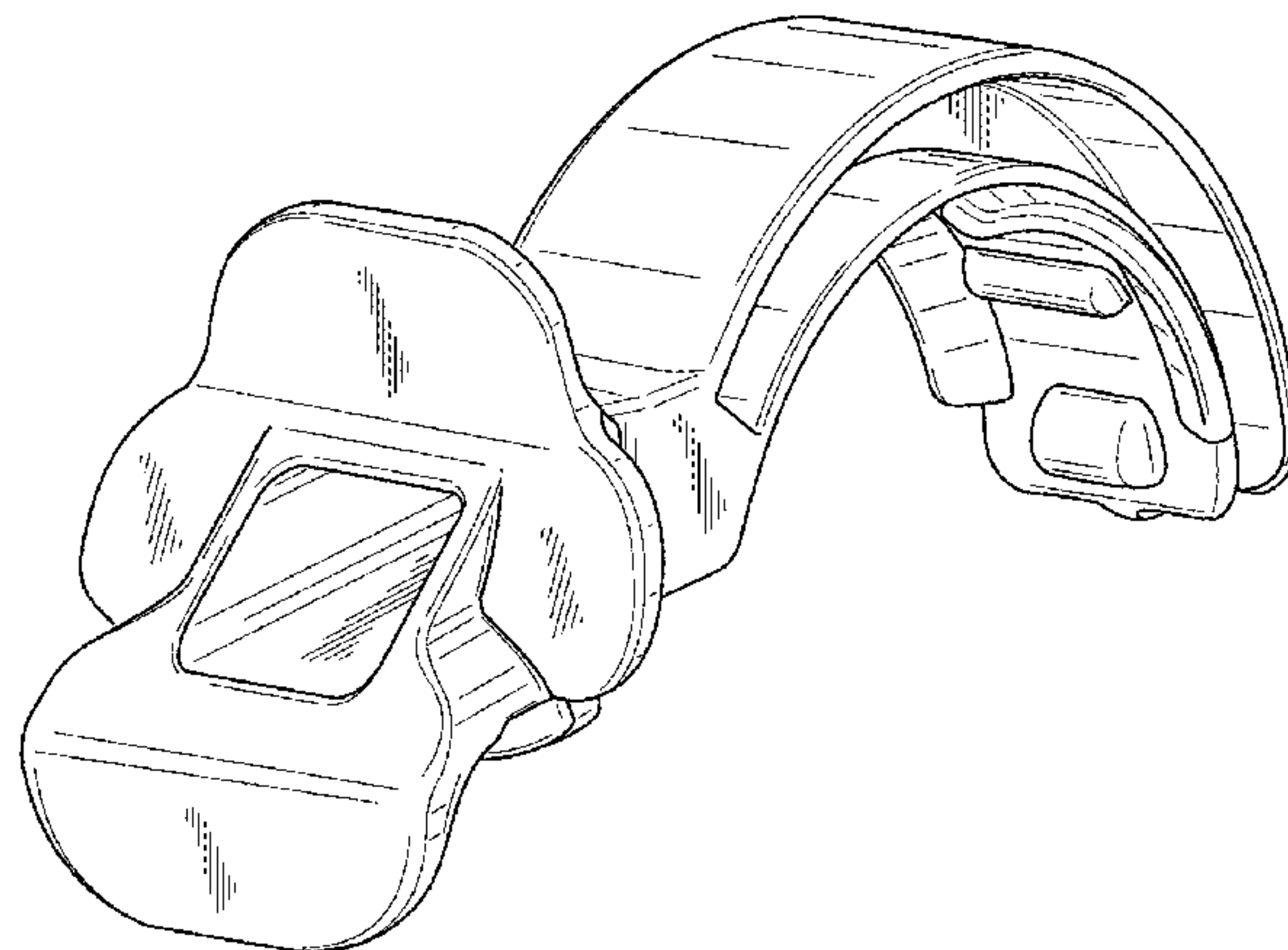
FIG. 5 is a top plan view of the oral airway device depicted in FIG. 1.

FIG. 6 is a bottom plan view of the oral airway device depicted in FIG. 1.

FIG. 7 is a front elevational view of the oral airway device depicted in FIG. 1; and,

FIG. 8 is a rear elevational view of the oral airway device depicted in FIG. 1.

1 Claim, 7 Drawing Sheets



(56)

References Cited

U.S. PATENT DOCUMENTS

4,365,625 A 12/1982 Rind
 4,495,945 A 1/1985 Liegner
 4,848,331 A 7/1989 Northway-Meyer
 4,919,126 A 4/1990 Baildon
 4,944,313 A 7/1990 Katz et al.
 5,024,218 A 6/1991 Ovassapian et al.
 5,174,284 A 12/1992 Jackson
 5,205,281 A 4/1993 Buchanan
 5,413,095 A 5/1995 Weaver
 5,590,643 A 1/1997 Flam
 7,171,962 B1 2/2007 Bloem
 7,278,420 B2 10/2007 Ganesh et al.
 7,913,687 B2 3/2011 Munn
 7,946,289 B2 5/2011 Munn
 7,954,488 B2 6/2011 Munn
 7,975,695 B2 7/2011 Munn
 8,220,461 B1 7/2012 Guerra et al.
 D680,642 S 4/2013 Guerra et al.
 8,413,658 B2 4/2013 Williams
 8,485,194 B2 7/2013 Guerra et al.
 8,794,230 B2 8/2014 Abrons
 9,072,613 B2 7/2015 Shantha
 9,254,219 B2 2/2016 Shantha
 9,669,174 B2 6/2017 Isenberg et al.
 2003/0000534 A1 1/2003 Alfery
 2003/0131853 A1* 7/2003 Wall, Jr. A61M 16/0463
 128/207.14

2008/0078402 A1 4/2008 Mongeon
 2008/0092882 A1* 4/2008 Munn A61M 16/0488
 128/200.24
 2008/0092900 A1* 4/2008 Munn A61M 16/0488
 128/207.14
 2008/0185004 A1* 8/2008 Munn A61M 16/0488
 128/207.14
 2010/0132700 A1 6/2010 Filipi et al.
 2010/0199998 A1 8/2010 Maticoc
 2012/0048278 A1 3/2012 Yasick
 2012/0234331 A1 9/2012 Shantha
 2012/0234332 A1 9/2012 Shantha
 2012/0255561 A1 10/2012 Shantha
 2014/0007868 A1 1/2014 Eaton et al.
 2018/0311455 A1* 11/2018 Simons A61M 16/0493

OTHER PUBLICATIONS

[No Author Listed], "Practice Guidelines for Management of the Difficult Airway. An Updated Report by the American Society of Anesthesiologists Task Force on Management of the Difficult Airway," *Anesthesiology*, 98(5):1269-77 (May 2003).
 Application and File History for U.S. Appl. No. 29,636/854, filed Feb. 12, 2018, Inventor: Shantha, 49 pages.
 Dickenson et al., *Emergency Care* (11th Edition), Englewood Cliffs, N.J: Prentice Hall, 157-9 (2008).
 Guedel A. E. *J. Am. Med. Assoc.* 1933, 100, 1862.

* cited by examiner

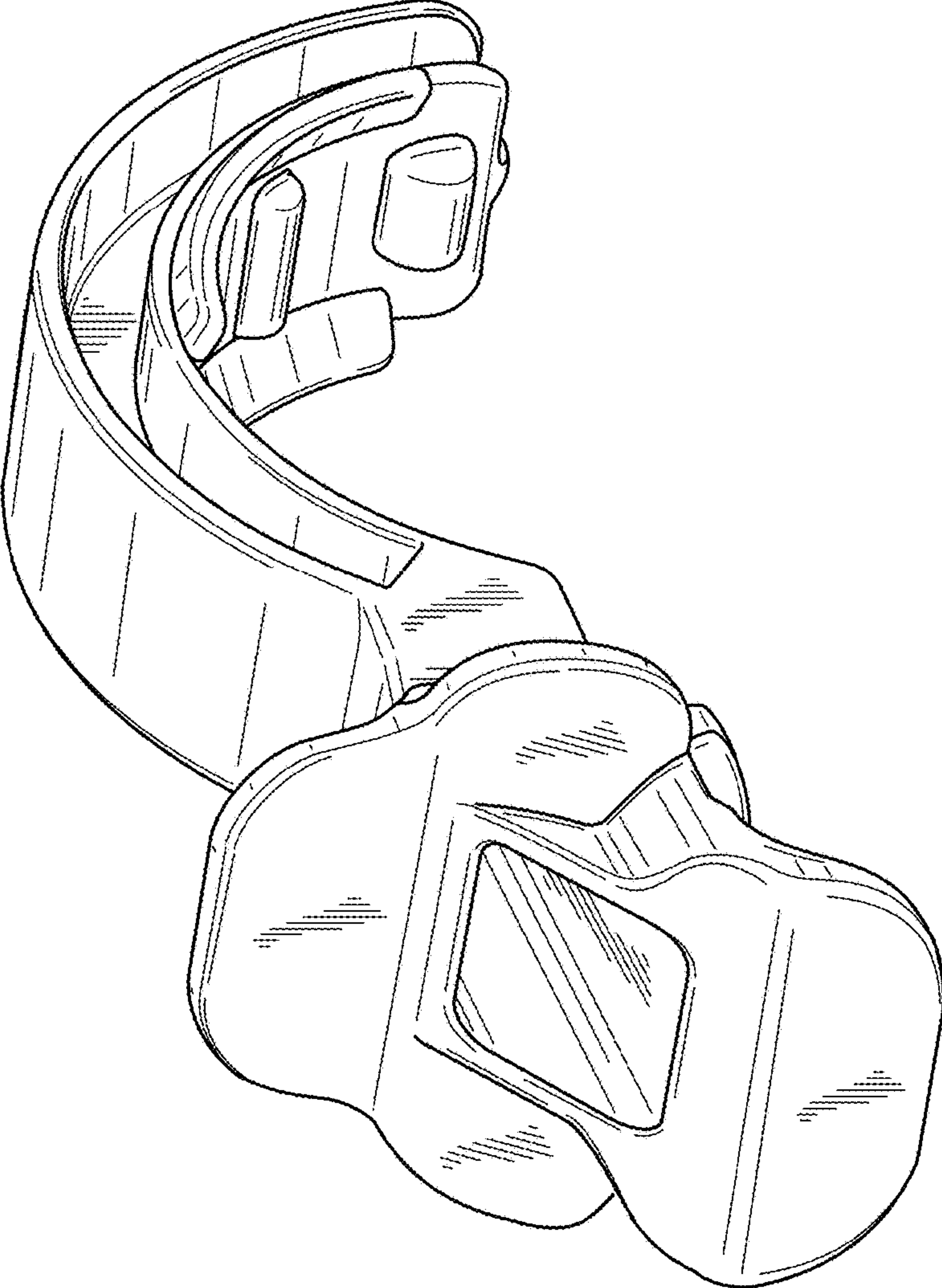


FIG. 1

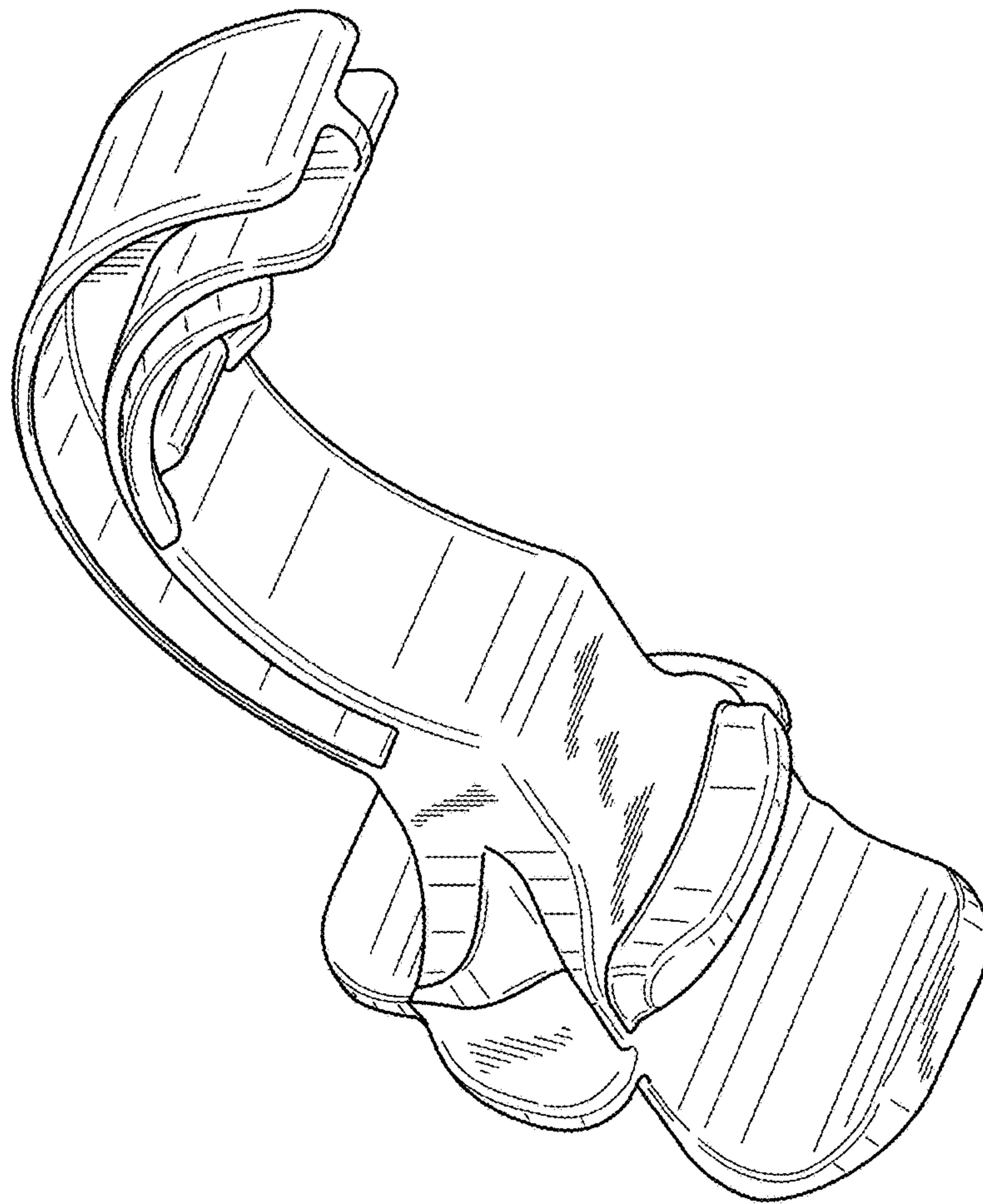


FIG. 2

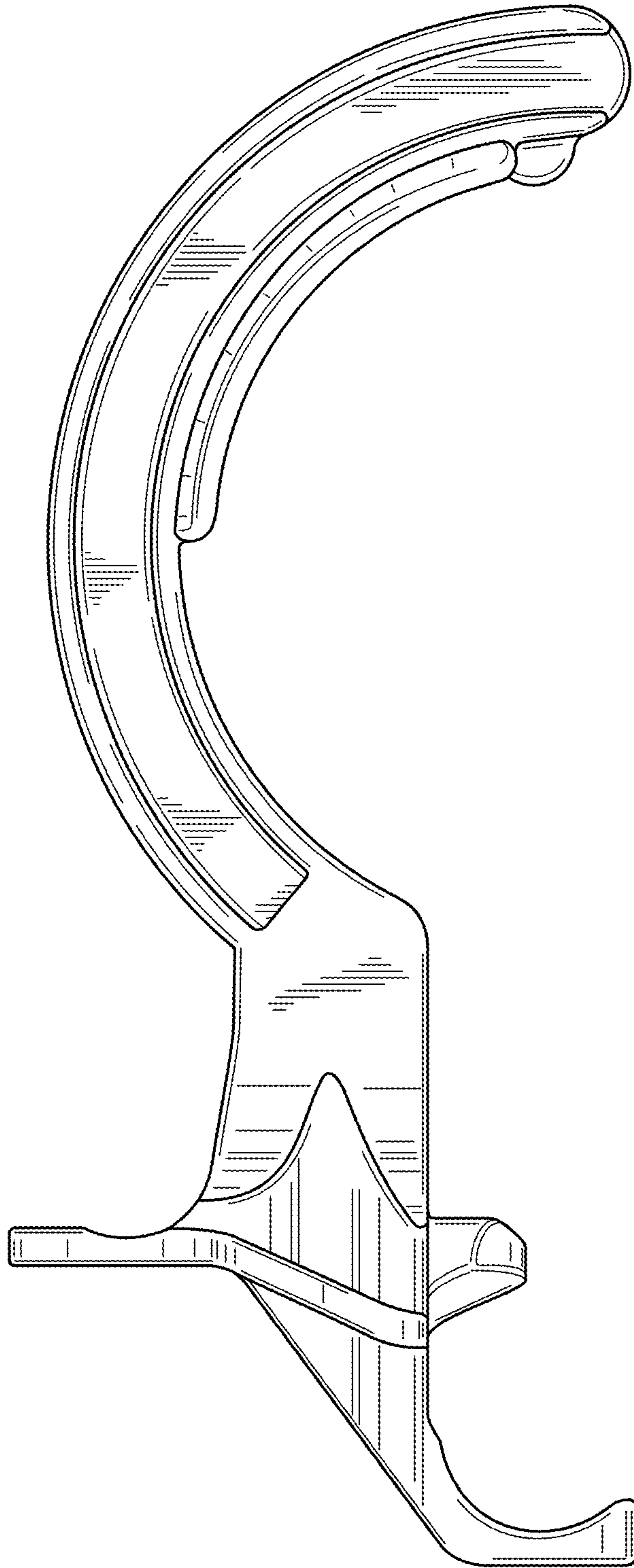


FIG. 3

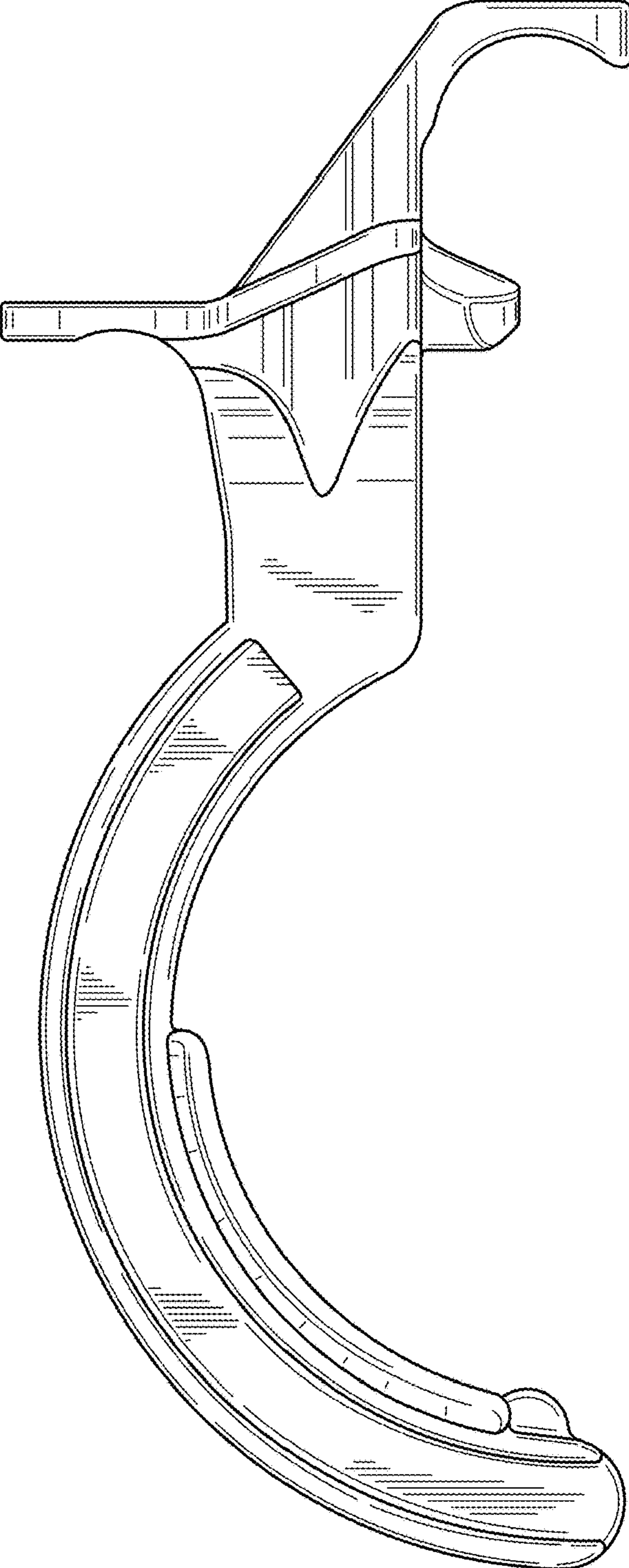


FIG. 4

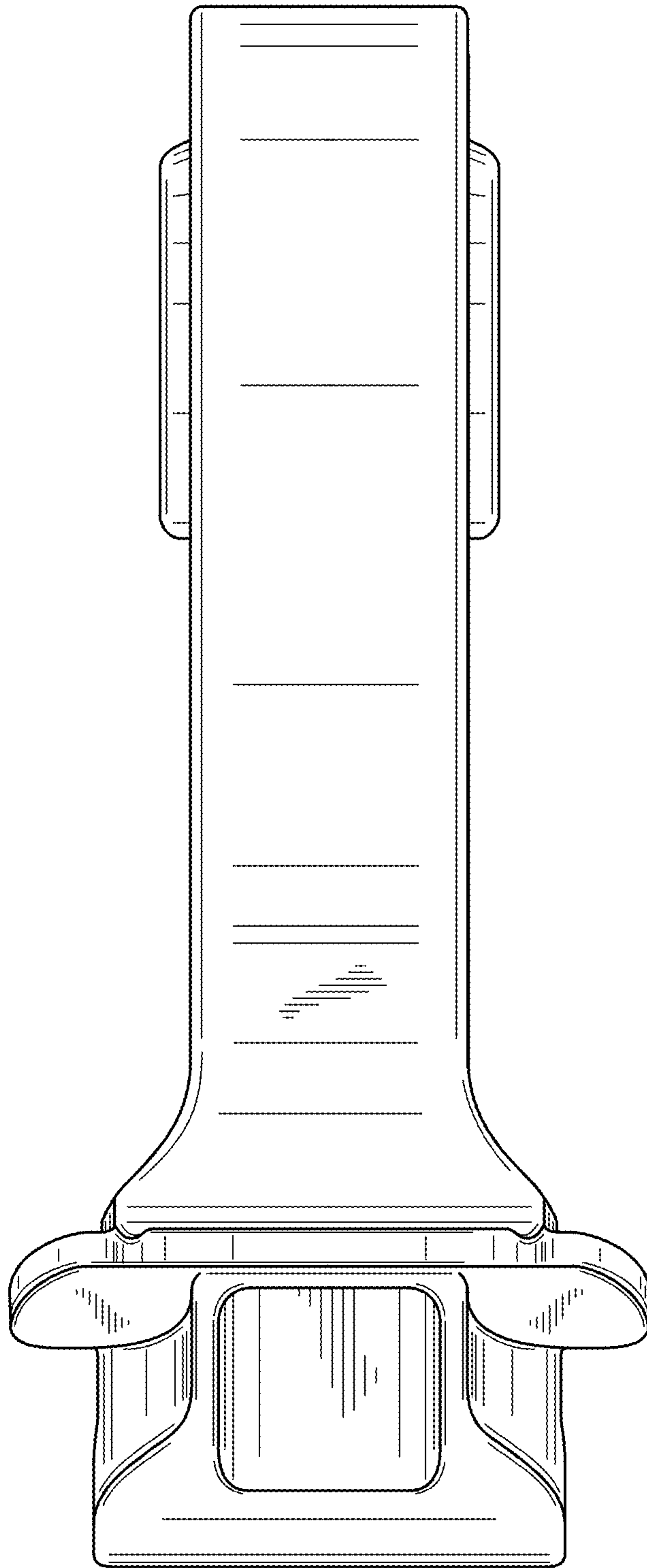


FIG. 5

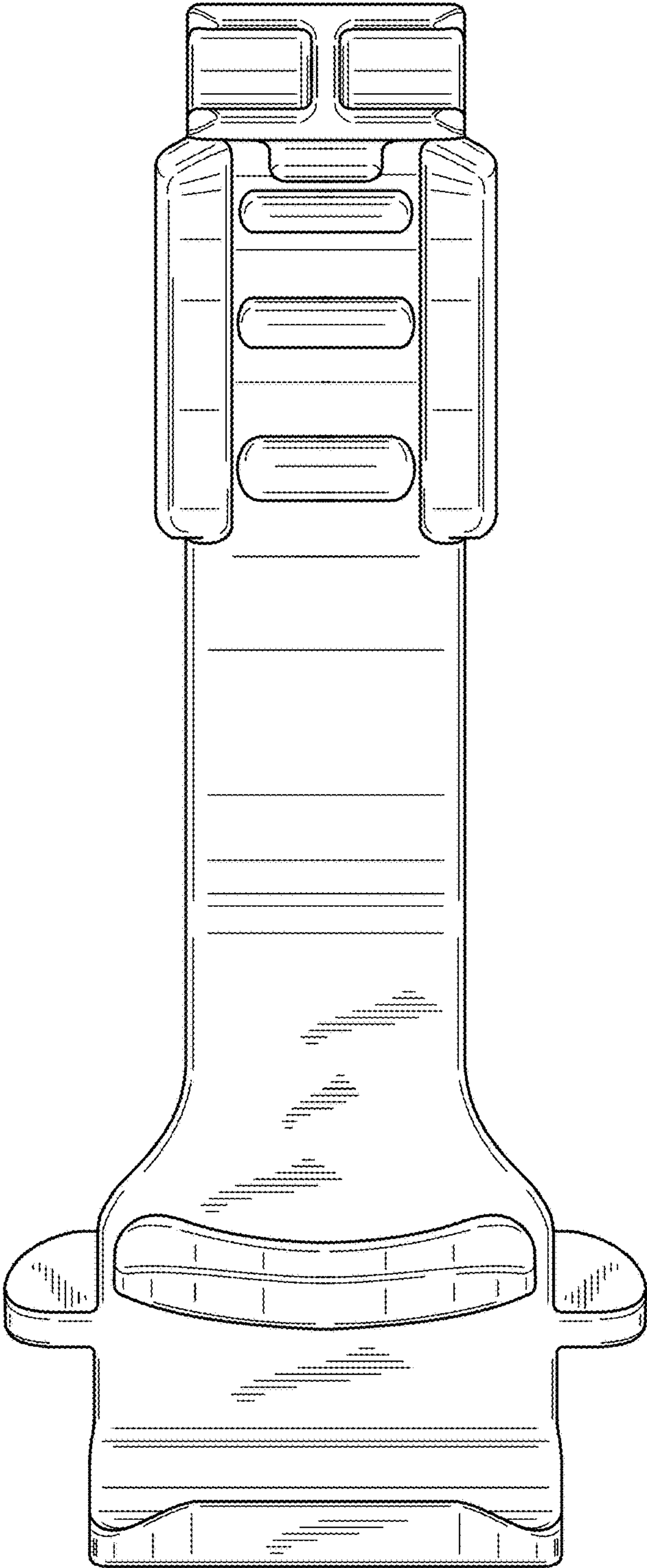


FIG. 6

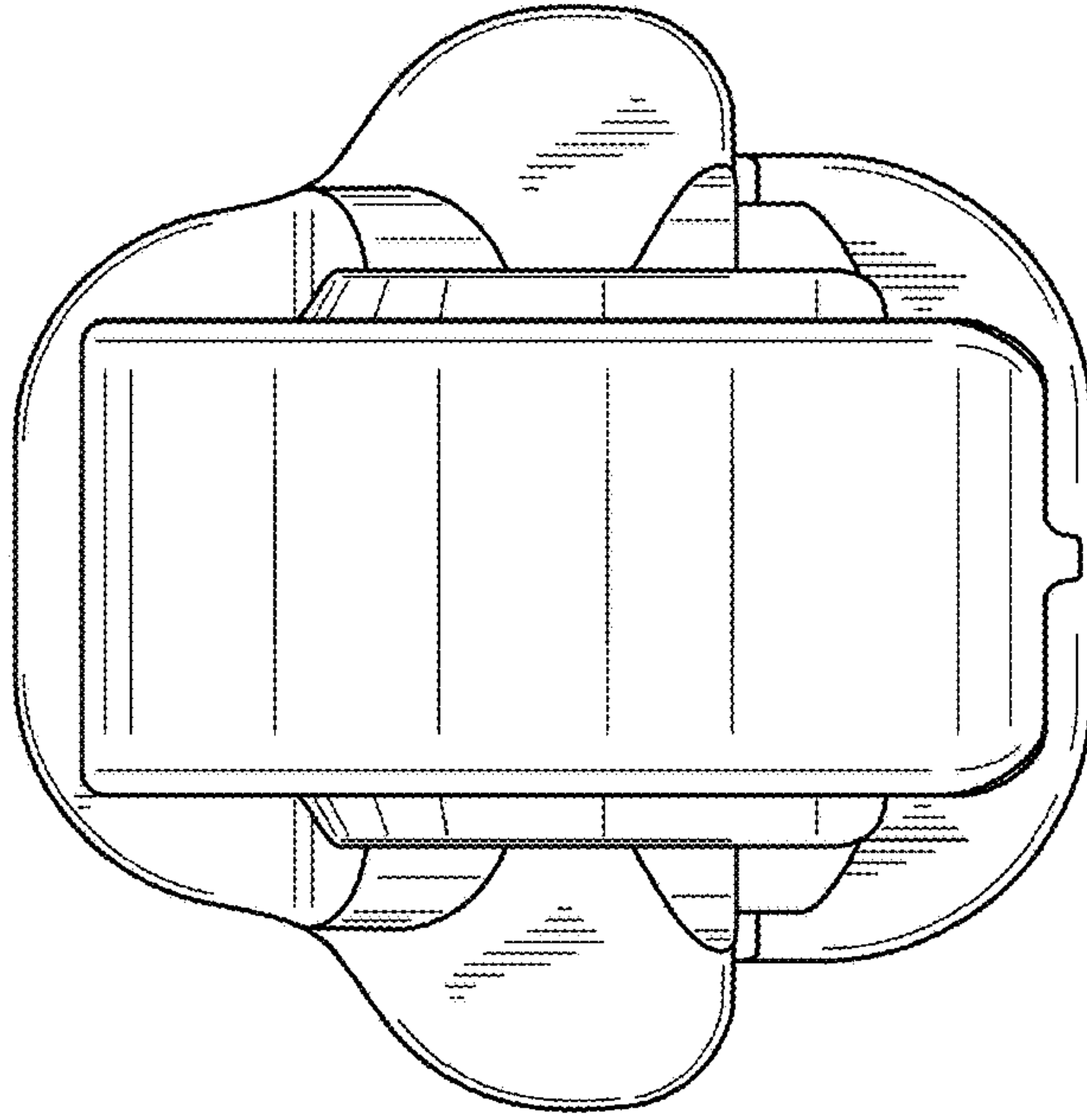


FIG. 7

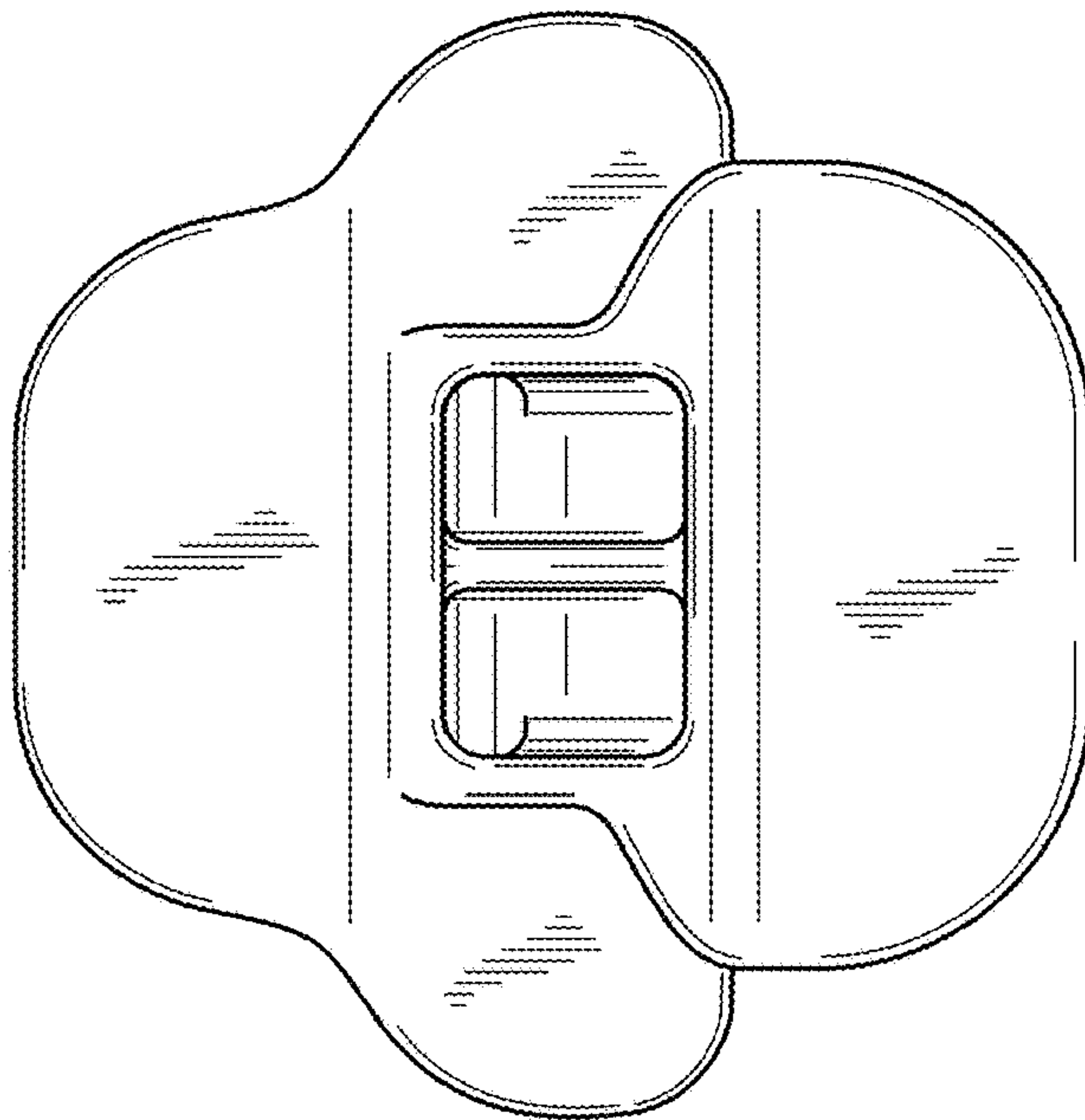


FIG. 8