



US00D849233S

(12) **United States Design Patent** (10) **Patent No.:** **US D849,233 S**  
**Shantha et al.** (45) **Date of Patent:** **\*\* May 21, 2019**

(54) **ORAL AIRWAY DEVICE**

FOREIGN PATENT DOCUMENTS

(71) Applicant: **Wedge Therapeutics, LLC**, Saint Paul, MN (US)

WO WO 2017/006117 1/2017

(72) Inventors: **Totada R. Shantha**, Stone Mountain, GA (US); **Robert Wieden**, Saint Paul, MN (US)

OTHER PUBLICATIONS

Superior Oral Airways that Actually Open the Oropharyngeal Airway. Wedge Therapeutics. Web archive date: Mar. 29, 2018. Retrieved from Internet: <<https://web.archive.org/web/20180329221933/http://wedgetherapeutics.com/>> (Year: 2018).\*

(73) Assignee: **Wedge Therapeutics, LLC**, St. Paul, MN (US)

(Continued)

(\*\*) Term: **15 Years**

*Primary Examiner* — Lilyana Bekic

(21) Appl. No.: **29/636,854**

(74) *Attorney, Agent, or Firm* — Patterson Thunten Pedersen, P.A.

(22) Filed: **Feb. 12, 2018**

(51) **LOC (11) Cl.** ..... **D24-02**

(57) **CLAIM**

(52) **U.S. Cl.**

USPC ..... **D24/110; D24/110.5**

We claim the ornamental design for an oral airway device, as shown and described.

(58) **Field of Classification Search**

USPC ..... D24/108, 110, 110.5, 164, 112

CPC ..... A61M 16/0493; A61M 16/0495; A61M

16/0488; A61M 16/04; A61B 1/267

See application file for complete search history.

**DESCRIPTION**

(56) **References Cited**

U.S. PATENT DOCUMENTS

2,599,521 A	6/1952	Berman	
2,705,959 A *	4/1955	Elmore	A61B 1/267 128/207.14
3,013,554 A *	12/1961	Safar	A61M 16/0048 128/202.28
3,057,347 A *	10/1962	McGee	A61M 16/0488 128/202.28
3,543,751 A *	12/1970	Sheffer	A61M 16/0488 128/207.15
3,756,244 A	9/1973	Kinnear et al.	
3,908,665 A *	9/1975	Moses	A61B 1/267 128/207.14
3,930,507 A	1/1976	Berman	
4,054,135 A	10/1977	Berman	
4,067,331 A	1/1978	Berman	

(Continued)

FIG. 1 is a top perspective view of an oral airway device according to an embodiment.

FIG. 2 is a bottom perspective view of the oral airway device depicted in FIG. 1.

FIG. 3 is a right side elevational view of the oral airway device depicted in FIG. 1.

FIG. 4 is a left side elevational view of the oral airway device depicted in FIG. 1.

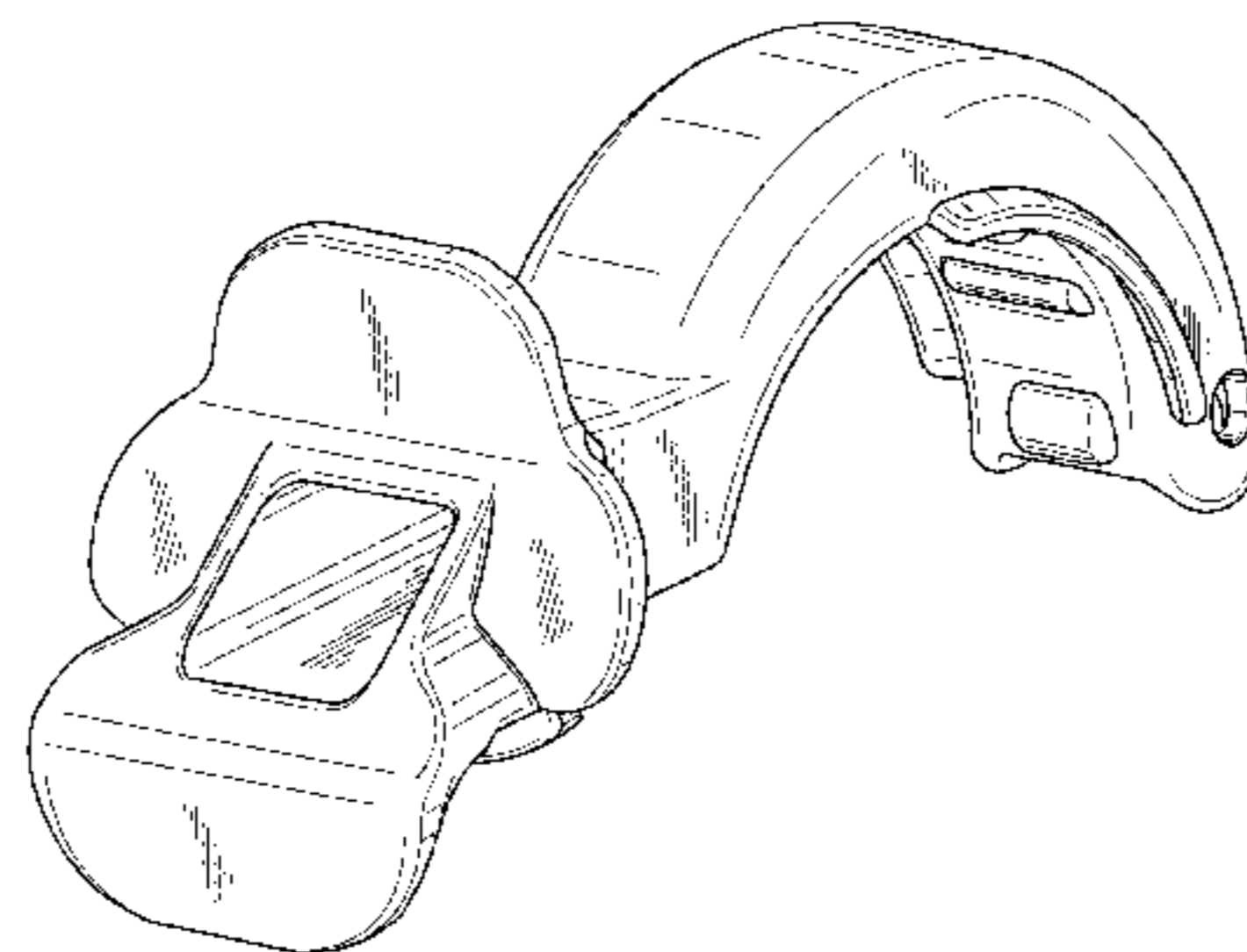
FIG. 5 is a top plan view of the oral airway device depicted in FIG. 1.

FIG. 6 is a bottom plan view of the oral airway device depicted in FIG. 1.

FIG. 7 is a front elevational view of the oral airway device depicted in FIG. 1; and,

FIG. 8 is a rear elevational view of the oral airway device depicted in FIG. 1.

**1 Claim, 7 Drawing Sheets**



(56)

References Cited

U.S. PATENT DOCUMENTS

4,112,936 A 9/1978 Blachly  
 4,338,930 A 7/1982 Williams  
 4,363,320 A 12/1982 Kossove  
 4,365,625 A 12/1982 Rind  
 4,495,945 A 1/1985 Liegner  
 D284,701 S \* 7/1986 Deenadayalu ..... D24/110  
 4,848,331 A 7/1989 Northway-Meyer  
 4,919,126 A 4/1990 Baildon  
 4,944,313 A 7/1990 Katz et al.  
 5,024,218 A 6/1991 Ovassapian et al.  
 D318,124 S \* 7/1991 Siemens ..... D24/110  
 5,174,284 A 12/1992 Jackson  
 5,205,281 A 4/1993 Buchanan  
 5,413,095 A 5/1995 Weaver  
 5,590,643 A 1/1997 Flam  
 7,171,962 B1 2/2007 Bloem  
 7,278,420 B2 10/2007 Ganesh et al.  
 7,866,313 B2 \* 1/2011 Isenberg ..... A61M 16/0488  
 128/200.26  
 7,913,687 B2 3/2011 Munn  
 7,946,289 B2 5/2011 Munn  
 7,954,488 B2 6/2011 Munn  
 7,975,695 B2 7/2011 Munn  
 8,220,461 B1 7/2012 Guerra et al.  
 D680,642 S 4/2013 Guerra et al.  
 8,413,658 B2 4/2013 Williams  
 8,485,194 B2 7/2013 Guerra et al.  
 D695,390 S \* 12/2013 Bruggeman ..... D24/110.5  
 8,640,692 B2 \* 2/2014 Matic ..... A61M 16/0488  
 128/200.26  
 D701,962 S \* 4/2014 Chung ..... D24/164  
 8,794,230 B2 8/2014 Abrons  
 9,072,613 B2 7/2015 Shantha  
 9,254,219 B2 2/2016 Shantha  
 9,669,174 B2 6/2017 Isenberg et al.  
 2003/0000534 A1 1/2003 Alfery

2004/0129272 A1 \* 7/2004 Ganesh ..... A61M 16/04  
 128/207.14  
 2008/0078402 A1 4/2008 Mongeon  
 2008/0230054 A1 \* 9/2008 Prineas ..... A61B 1/267  
 128/200.26  
 2010/0132700 A1 6/2010 Filipi et al.  
 2010/0199998 A1 8/2010 Matic  
 2012/0048278 A1 3/2012 Yasick  
 2012/0234331 A1 9/2012 Shantha  
 2012/0234332 A1 9/2012 Shantha  
 2012/0255561 A1 10/2012 Shantha  
 2012/0283513 A1 \* 11/2012 Leeftang ..... A61B 1/00071  
 600/114  
 2013/0014754 A1 \* 1/2013 Guerra ..... A61M 16/0463  
 128/202.16  
 2014/0007868 A1 1/2014 Eaton et al.  
 2014/0069421 A1 \* 3/2014 Kuo ..... A61M 16/0495  
 128/200.26  
 2014/0323896 A1 \* 10/2014 McCauley ..... A61M 16/0486  
 600/531  
 2015/0013672 A1 \* 1/2015 Abdoue ..... A61M 16/0495  
 128/200.26  
 2016/0206303 A1 \* 7/2016 Chaudhry ..... A61M 16/0488

OTHER PUBLICATIONS

[No Author Listed], "Practice Guidelines for Management of the Difficult Airway. An Updated Report by the American Society of Anesthesiologists Task Force on Management of the Difficult Airway," *Anesthesiology*, 98(5):1269-77 (May 2003).  
 Application and File History for U.S. Appl. No. 26/636,861, filed Feb. 12, 2018, Inventor: Shantha, 49 pages.  
 Dickenson et al., *Emergency Care* (11th Edition), Englewood Cliffs, N.J: Prentice Hall, 157-9 (2008).  
 Guedel A. E. *J. Am. Med. Assoc.* 1933, 100, 1862.

\* cited by examiner

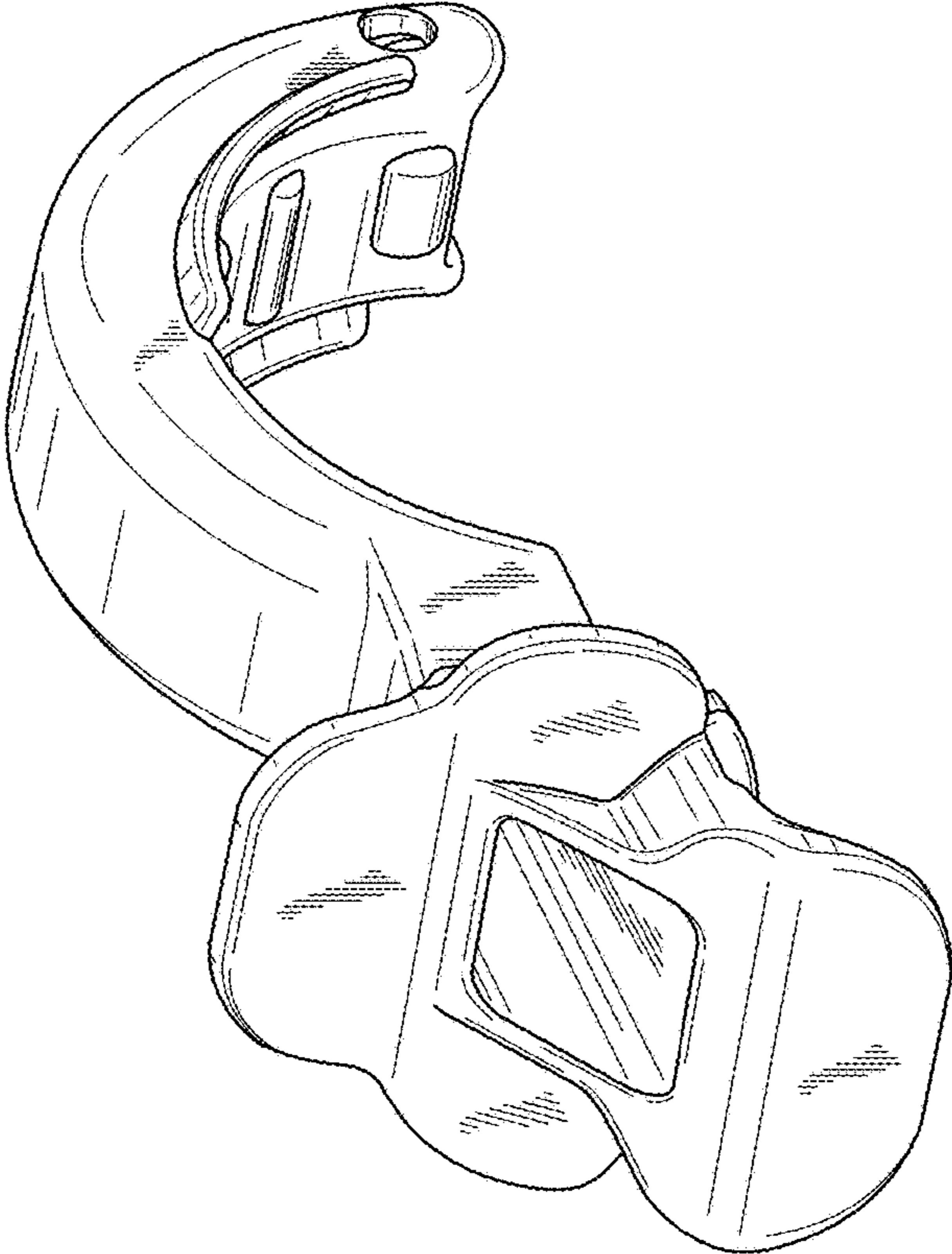


FIG. 1

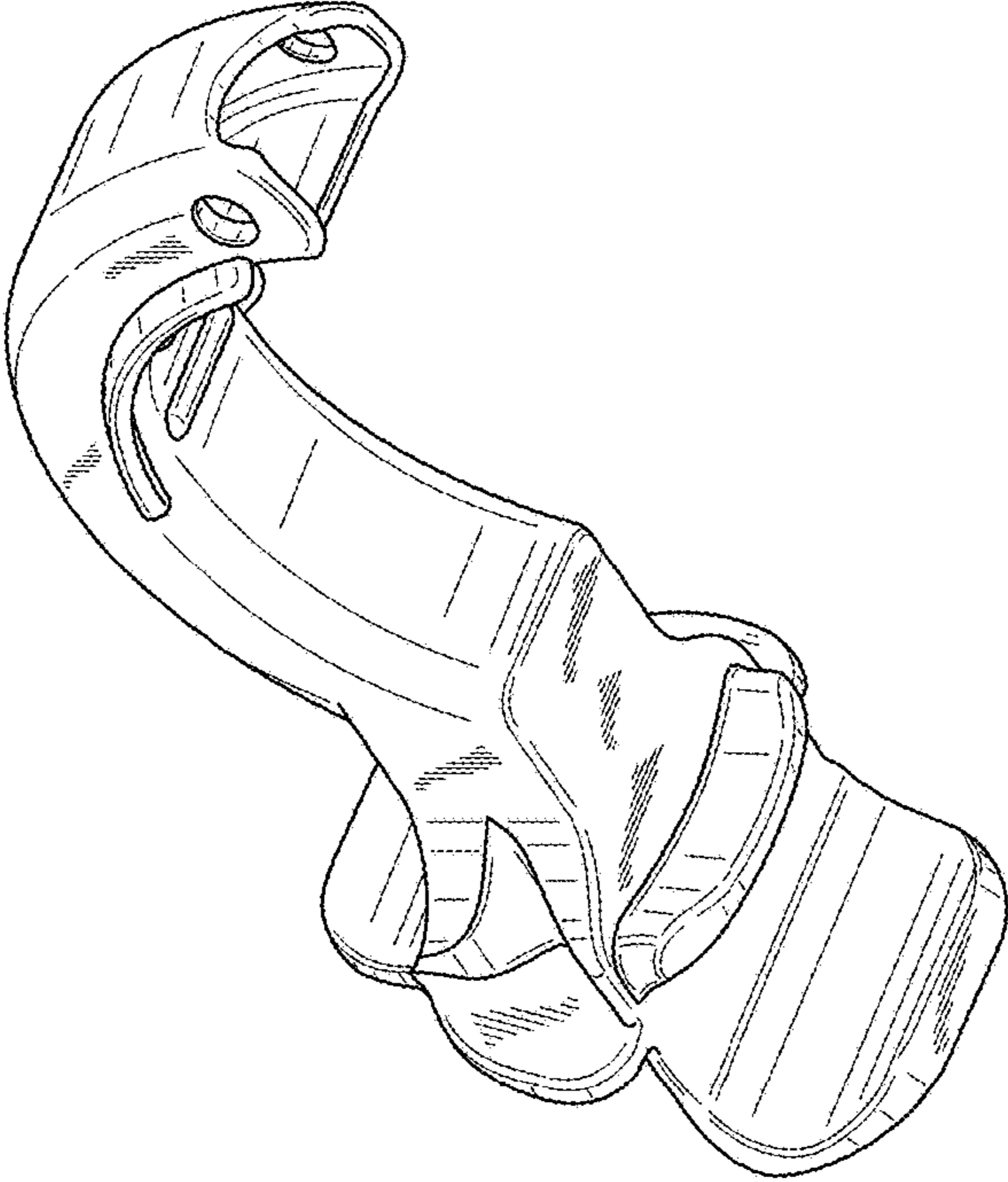


FIG. 2

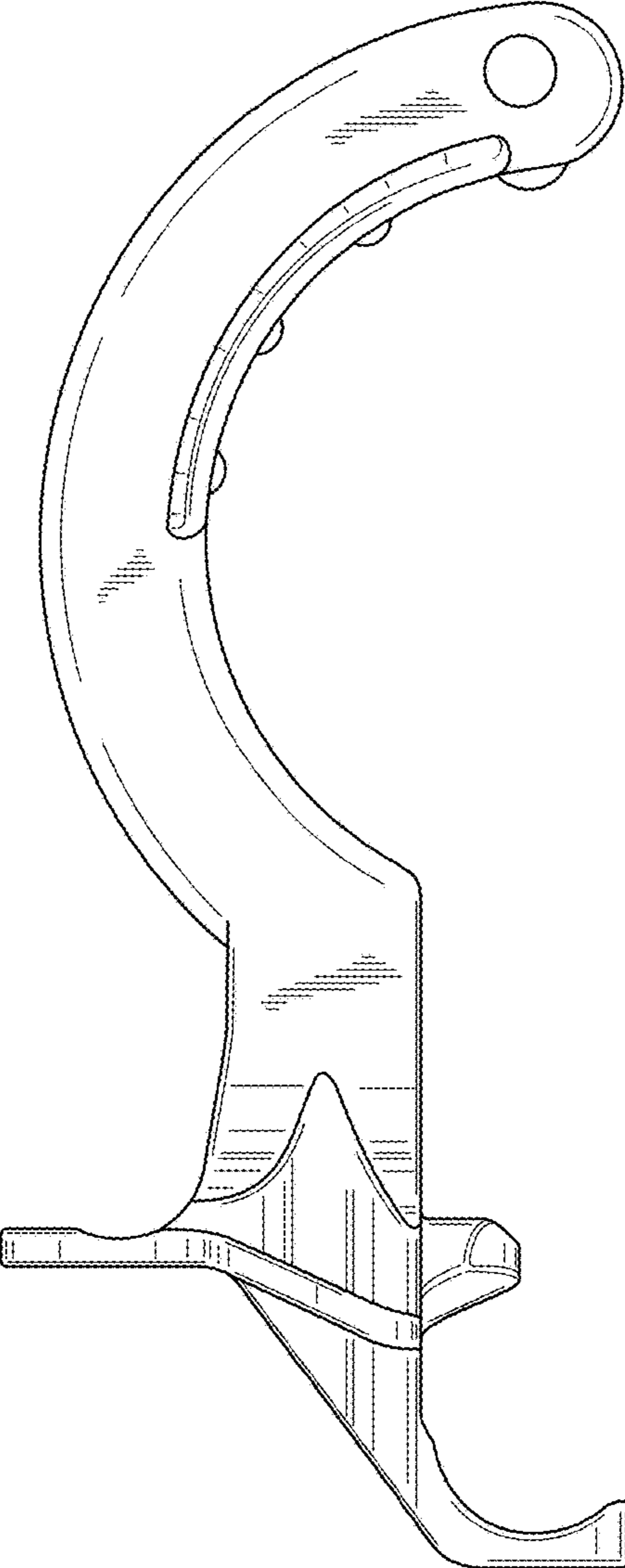


FIG. 3

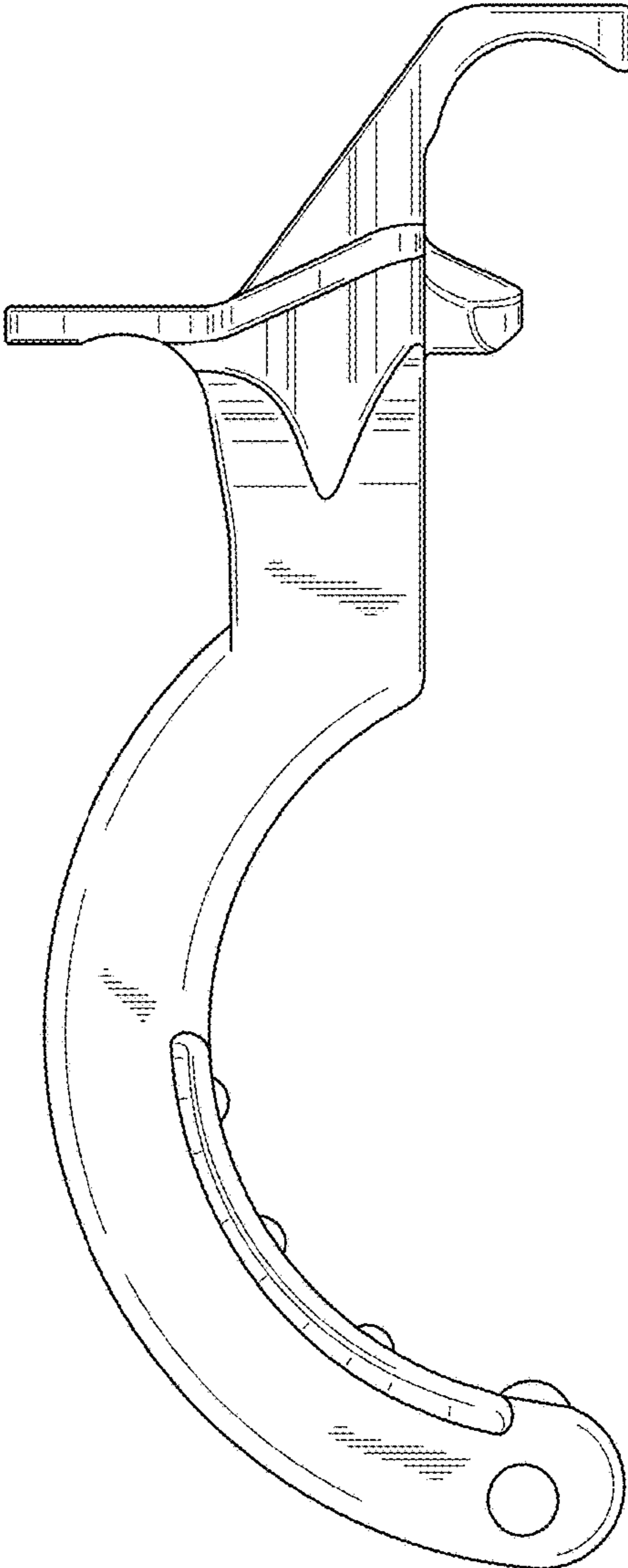


FIG. 4

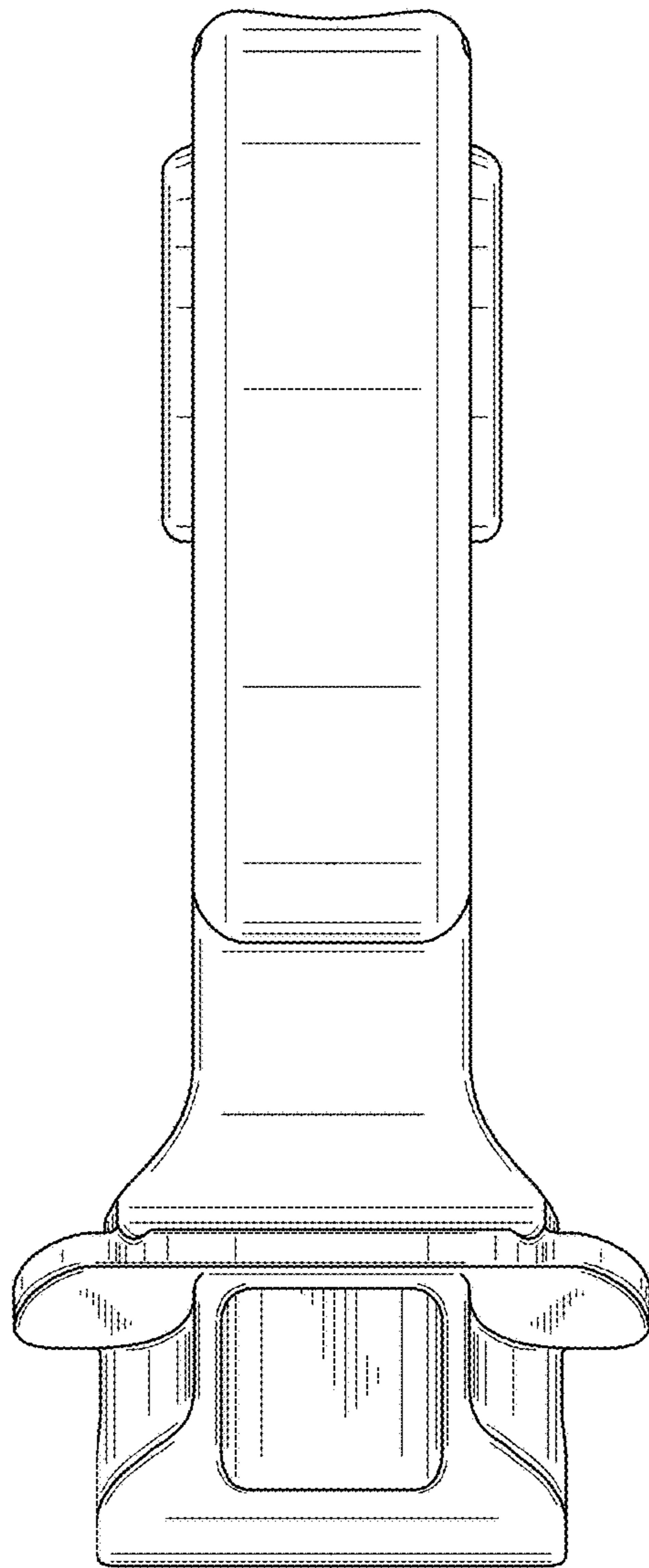


FIG. 5

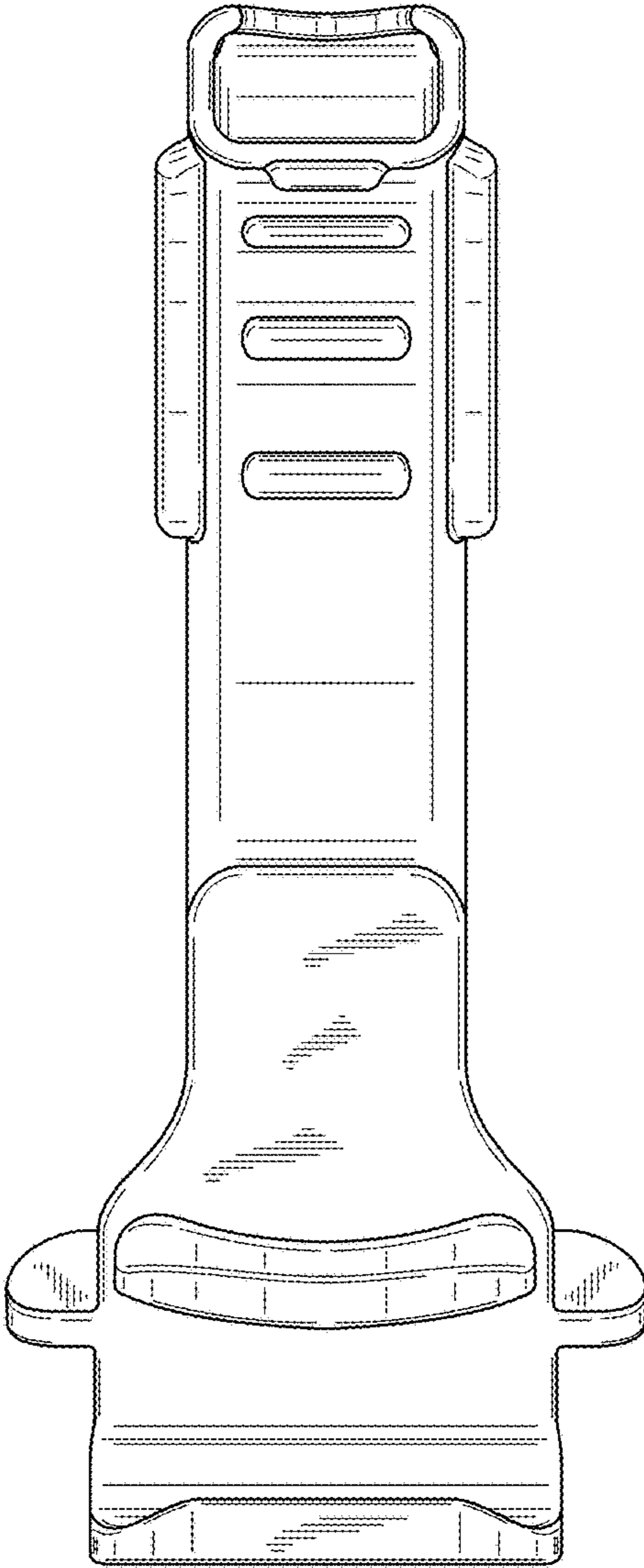


FIG. 6



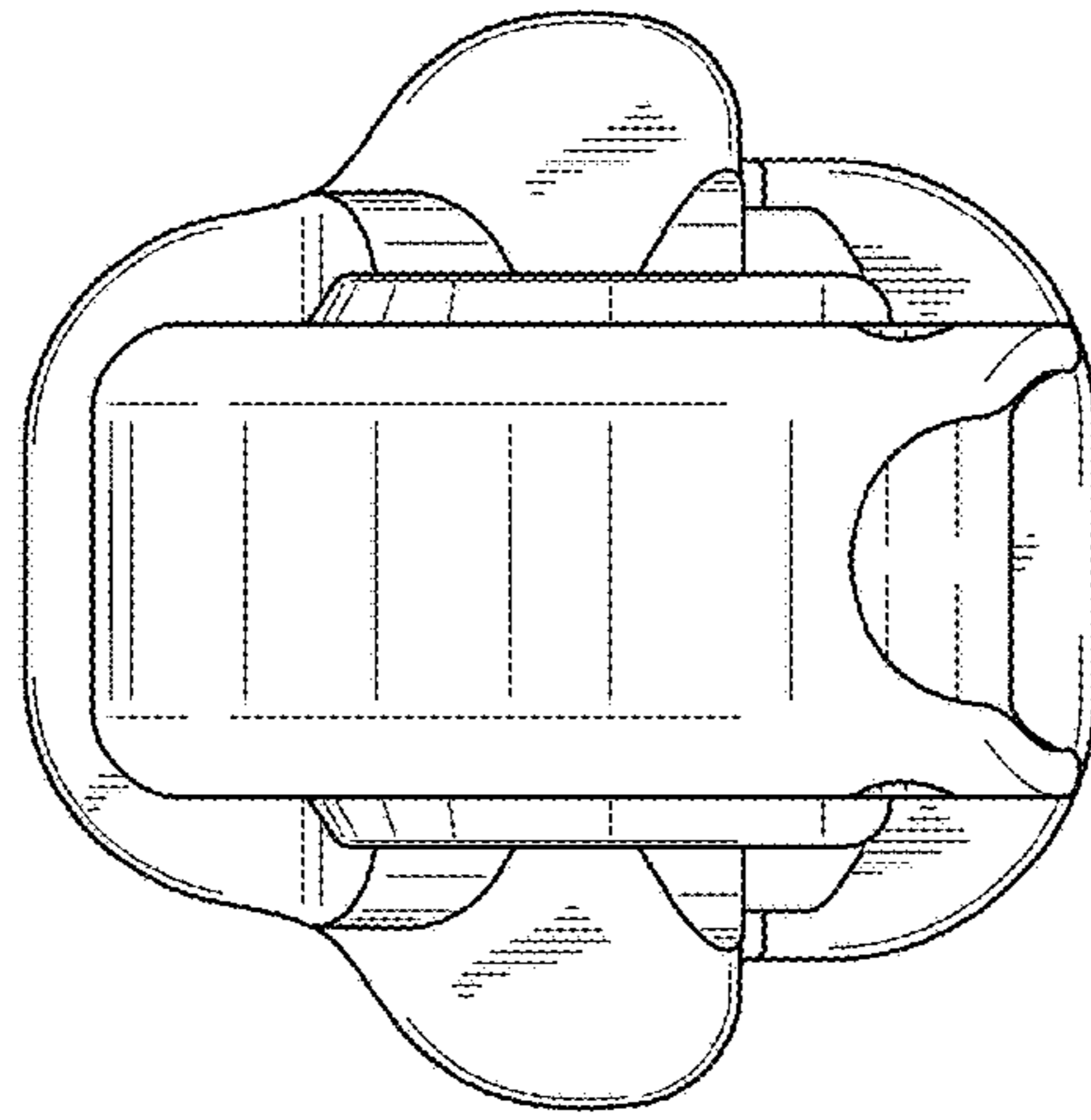


FIG. 8

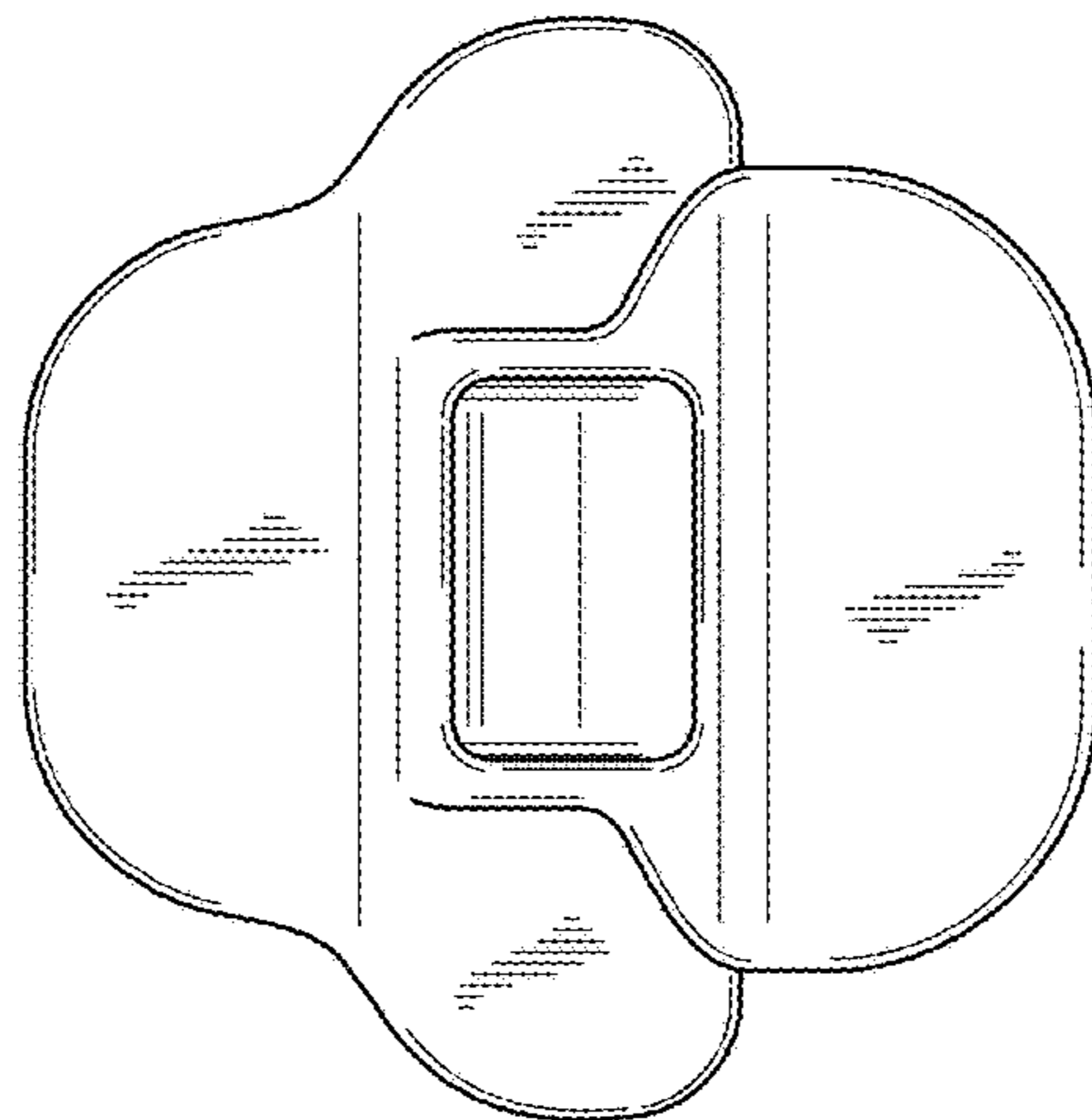


FIG. 7