



US00D849232S

(12) **United States Design Patent** (10) **Patent No.:** **US D849,232 S**
Formica et al. (45) **Date of Patent:** **** May 21, 2019**

(54) **AIR DELIVERY TUBE**

FOREIGN PATENT DOCUMENTS

(71) Applicant: **ResMed Limited**, Bella Vista, New South Wales (AU)

CN 201042552 Y 4/2008
CN 101541367 A 9/2009

(Continued)

(72) Inventors: **Justin John Formica**, Sydney (AU);
Mark Simpson, Sydney (AU)

OTHER PUBLICATIONS

(73) Assignee: **ResMed Limited**, Bella Vista (AU)

West, "Respiratory Physiology", Lippincott Williams & Wilkins, 9th edition published 2012, 8 pages.

(**) Term: **15 Years**

(Continued)

(21) Appl. No.: **29/625,910**

Primary Examiner — Lilyana Bekic

(22) Filed: **Nov. 14, 2017**

(74) *Attorney, Agent, or Firm* — Nixon & Vanderhye P.C.

Related U.S. Application Data

(62) Division of application No. 29/553,470, filed on Feb. 2, 2016, now Pat. No. Des. 805,630.

(51) **LOC (11) Cl.** **29-02**

(52) **U.S. Cl.**

USPC **D24/110**

(58) **Field of Classification Search**

USPC D24/110, 110.1–110.5, 127

CPC A61M 16/0616; A61M 16/0633; A61M

16/06; A61M 16/0666; A61M 16/0683;

A61M 16/0875; A61M 16/0816; A61M

16/08; A61M 16/0605; A61M 16/0622;

A61M 16/0644

See application file for complete search history.

(56) **References Cited**

U.S. PATENT DOCUMENTS

2,073,335 A 3/1937 Connell
2,516,864 A 8/1950 Gilmore
3,388,705 A 6/1968 Grosshandler
4,188,081 A 2/1980 Holden et al.
4,283,594 A 8/1981 Somers
4,437,691 A 3/1984 Laney
D280,765 S 9/1985 Alvino
4,621,632 A 11/1986 Bartels et al.

(Continued)

(57) **CLAIM**

The ornamental design for an air delivery tube, as shown and described.

DESCRIPTION

FIG. 1 is a perspective view of an air delivery tube showing our new design;

FIG. 2 is another perspective view thereof;

FIG. 3 is a front view thereof;

FIG. 4 is a rear view thereof;

FIG. 5 is a top view thereof;

FIG. 6 is a bottom view thereof;

FIG. 7 is a left end view thereof;

FIG. 8 is a right end view thereof;

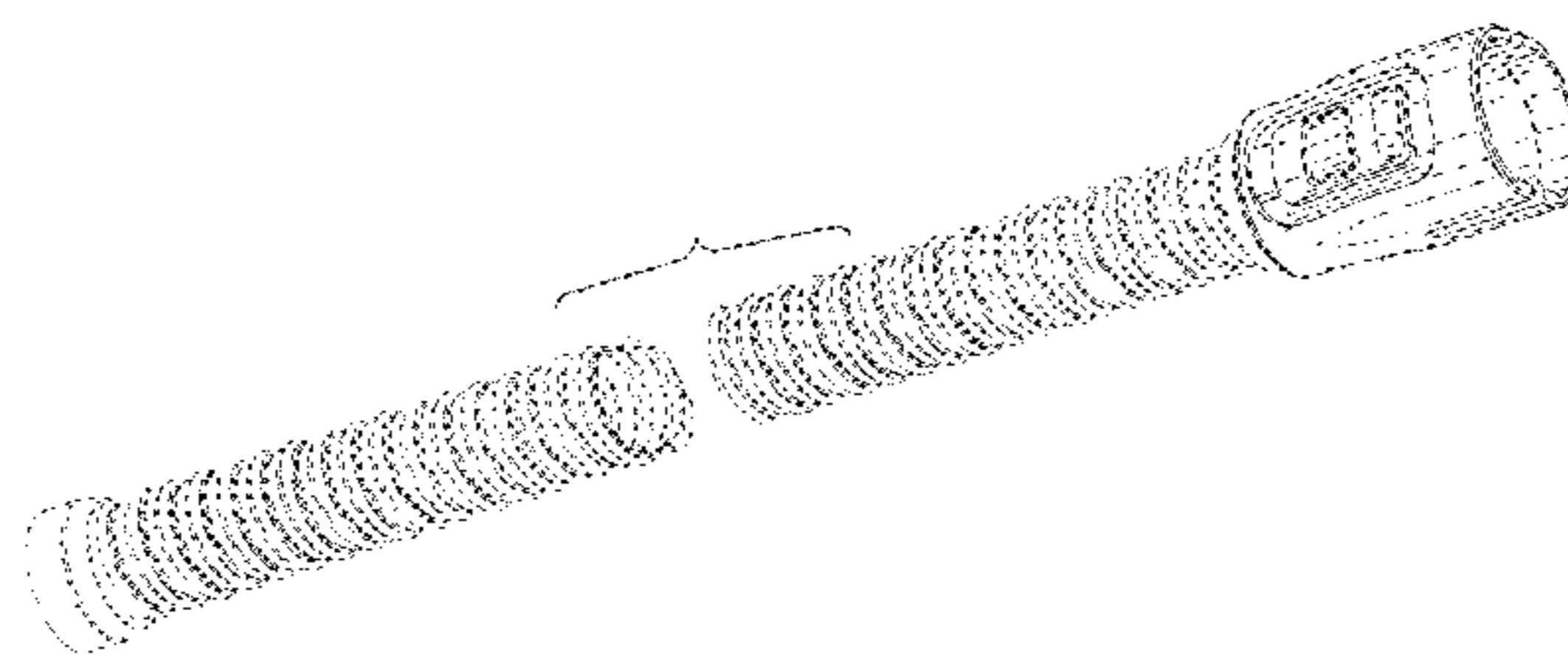
FIG. 9 is a reverse perspective view thereof; and,

FIG. 10 is a partial cross sectional view taken along line 10-10 of FIG. 7.

The air delivery tube is shown with a symbolic break in its length. The appearance of any portion of the article between the break lines forms no part of the claimed design.

The broken lines in the drawings depict portions of the air delivery tube that form no part of the claimed design.

1 Claim, 5 Drawing Sheets



(56)

References Cited

U.S. PATENT DOCUMENTS

4,714,279 A	12/1987	Custeau	8,636,479 B2	1/2014	Kenyon et al.
4,782,832 A	11/1988	Trimble et al.	8,638,014 B2	1/2014	Sears et al.
D302,040 S	7/1989	Lambert	D708,316 S	7/2014	Bertinetti et al.
4,944,310 A	7/1990	Sullivan	8,770,198 B2	7/2014	Yee
5,054,156 A	10/1991	Watanabe et al.	8,783,298 B2	7/2014	Zucker
5,309,902 A	5/1994	Kee et al.	D710,989 S	8/2014	Bertinetti et al.
5,336,192 A	8/1994	Palestrant	8,905,031 B2	12/2014	Barlow
5,382,242 A	1/1995	Horton et al.	D736,371 S	8/2015	Row
5,392,770 A	2/1995	Clawson et al.	D741,477 S	10/2015	Rogers
D360,027 S	7/1995	Psaros	D742,508 S	11/2015	Row
5,429,398 A	7/1995	Lupke	D743,556 S	11/2015	Bath et al.
5,607,316 A	3/1997	Ishikawa	D744,108 S	11/2015	Verma et al.
5,640,951 A	6/1997	Huddart et al.	D751,687 S	3/2016	Daly
5,762,382 A	6/1998	Pernetti	D751,688 S	3/2016	Daly
D405,522 S	2/1999	Hoenig	D760,258 S	6/2016	Bertinetti et al.
D421,298 S	2/2000	Kenyon et al.	D761,422 S	7/2016	Row
6,078,730 A	6/2000	Huddart et al.	D762,843 S	8/2016	Formica et al.
6,099,046 A	8/2000	Oh	D805,630 S *	12/2017	Formica D24/110
D436,401 S	1/2001	Remes et al.	9,974,917 B2 *	5/2018	Bafle A61M 16/0666
D454,637 S	3/2002	Nestenborg	D822,818 S *	7/2018	Maekkelberghe D23/358
6,532,959 B1	3/2003	Berthon-Jones	2003/0236015 A1	12/2003	Edirisuriya et al.
6,581,594 B1	6/2003	Drew et al.	2006/0106345 A1	5/2006	Flaker et al.
D476,731 S	7/2003	Cise et al.	2006/0118113 A1	6/2006	Bremner et al.
D486,909 S	2/2004	Cise et al.	2006/0266365 A1	11/2006	Stallard
6,691,707 B1	2/2004	Gunaratnam et al.	2007/0040378 A1	2/2007	Sheppard et al.
D493,520 S	7/2004	Bertinetti et al.	2007/0169776 A1	7/2007	Kepler et al.
D493,884 S	8/2004	Virr et al.	2007/0181130 A1	8/2007	Worley
6,892,729 B2	5/2005	Smith et al.	2007/0181132 A1	8/2007	Worley
6,953,354 B2	10/2005	Edirisuriya	2007/0218734 A1	9/2007	Walter et al.
D544,598 S	6/2007	Lithgow et al.	2008/0054635 A1	3/2008	Skiba et al.
7,226,302 B2	6/2007	Walter	2008/0066756 A1	3/2008	Lang et al.
7,237,770 B2	7/2007	Lipscombe et al.	2008/0077176 A1	3/2008	Hanlon et al.
D550,349 S	9/2007	Lithgow et al.	2008/0105257 A1	5/2008	Klasek et al.
7,306,205 B2	12/2007	Huddart et al.	2009/0044808 A1	2/2009	Guney et al.
D560,795 S	1/2008	Lithgow et al.	2009/0050156 A1	2/2009	Ng et al.
D561,890 S	2/2008	Lithgow et al.	2009/0110378 A1	4/2009	Bradley et al.
D561,891 S	2/2008	Lithgow et al.	2009/0123886 A1	5/2009	Vaska
D570,473 S	6/2008	Hamaguchi et al.	2009/0126817 A1	5/2009	Gray
D578,204 S	10/2008	Lithgow et al.	2009/0223514 A1	9/2009	Smith et al.
D580,060 S	11/2008	Adams	2009/0266361 A1	10/2009	Bilger
D585,131 S	1/2009	Trevor-Wilson et al.	2010/0000534 A1	1/2010	Kooij et al.
D585,540 S	1/2009	Lithgow et al.	2010/0083965 A1	4/2010	Virr et al.
D590,494 S	4/2009	Lithgow et al.	2010/0116272 A1	5/2010	Row et al.
D602,585 S	10/2009	Blackwell et al.	2010/0236552 A1	9/2010	Kwok et al.
D604,830 S	11/2009	Lithgow et al.	2011/0017212 A1	1/2011	Kenyon et al.
D611,593 S	3/2010	Lithgow et al.	2011/0023874 A1	2/2011	Bath et al.
D612,480 S	3/2010	Cork et al.	2011/0100363 A1	5/2011	Barclay et al.
D614,286 S	4/2010	Lithgow et al.	2011/0155132 A1	6/2011	Virr et al.
D621,031 S	8/2010	Lithgow et al.	2011/0180068 A1	7/2011	Kenyon et al.
7,814,907 B2	10/2010	Bremner et al.	2011/0308520 A1	12/2011	McAuley
D627,044 S	11/2010	Virr et al.	2012/0227738 A1	9/2012	Virr
D628,288 S	11/2010	Row et al.	2012/0285454 A1	11/2012	Nibu et al.
7,827,987 B2	11/2010	Woodard et al.	2013/0008440 A1	1/2013	Maurer et al.
D629,891 S	12/2010	Virr et al.	2013/0011823 A1	1/2013	Hassanein et al.
D629,892 S	12/2010	Hill et al.	2013/0047987 A1	2/2013	Mays
7,866,944 B2	1/2011	Kenyon et al.	2013/0206140 A1	8/2013	Kepler et al.
7,874,292 B2	1/2011	Smith et al.	2013/0239961 A1	9/2013	Ross et al.
D634,406 S	3/2011	Kilmas	2013/0263854 A1	10/2013	Taylor et al.
D635,244 S	3/2011	Virr et al.	2013/0280055 A1	10/2013	Daly et al.
D635,245 S	3/2011	Virr et al.	2013/0333701 A1	12/2013	Herron
D635,654 S	4/2011	Virr et al.	2014/0102452 A1	4/2014	Forrester
D638,536 S	5/2011	Row et al.	2014/0130802 A1	5/2014	Virr et al.
D638,537 S	5/2011	Virr et al.	2014/0158133 A1	6/2014	Acosta
D638,933 S	5/2011	Hill et al.	2014/0202460 A1	7/2014	Bath et al.
D641,467 S	7/2011	Amann	2014/0216459 A1	8/2014	Vos et al.
D643,114 S	8/2011	Virr et al.	2014/0246025 A1	9/2014	Cragg et al.
D650,479 S	12/2011	Row et al.	2015/0021909 A1	1/2015	Gulliver
D652,916 S	1/2012	Row et al.	2015/0108670 A1	4/2015	Maggee
D652,917 S	1/2012	Hill et al.	2015/0122260 A1	5/2015	Daly
D655,813 S	3/2012	Row et al.	2015/0128944 A1	5/2015	Buechi
D658,283 S	4/2012	Burz et al.	2015/0283350 A1	10/2015	Miller
D659,235 S	5/2012	Bertinetti et al.	2015/0306332 A1	10/2015	Bafle
D671,209 S	11/2012	Row et al.	2016/0015558 A1	1/2016	Bott
8,360,059 B2	1/2013	Koulechov	2017/0100556 A1	4/2017	Munkelt
D677,789 S	3/2013	Row et al.	2017/0100557 A1	4/2017	Worley
			2017/0209610 A1 *	7/2017	Leyva A61L 2/202
			2017/0361051 A1 *	12/2017	Eifler A61M 16/06

(56)

References Cited

U.S. PATENT DOCUMENTS

2018/0200471 A1* 7/2018 Sims F16L 53/38
 2018/0214659 A1* 8/2018 Forrester A61M 16/1045
 2018/0280652 A1* 10/2018 Sims F16L 53/38

FOREIGN PATENT DOCUMENTS

CN	102170932	A	8/2011
CN	102686282	A	9/2012
CN	103055400	A	4/2013
CN	103124575	A	5/2013
EM	001312953-0001		3/2012
EM	001312953-0002		3/2012
EM	001312953-0003		3/2012
EM	001312953-0004		3/2012
EM	001312953-0005		3/2012
EP	1 369 141	A1	12/2003
EP	1 741 462	A1	1/2007
EP	2 703 034	A2	8/2013
FR	2579896	A1	10/1986
GB	1030840		5/1966
GB	1364127	A	8/1974
JP	2006-109534	A	4/2006
JP	2013-018017	A	1/2013
TW	200711671	A	4/2007
WO	WO 98/04310	A1	2/1998
WO	WO 98/34665	A1	8/1998
WO	WO 00/78381	A1	12/2000
WO	WO 2004/073778	A1	9/2004
WO	WO 2005/063328	A1	7/2005
WO	WO 2006/019323	A1	2/2006
WO	WO 2006/074513	A1	7/2006
WO	WO 2006/130903	A1	12/2006
WO	WO 2006/133480	A1	12/2006
WO	WO 2008/095245	A1	8/2008
WO	WO 2009/052560	A1	4/2009
WO	WO 2009/077045	A1	6/2009
WO	WO 2010/031126	A1	3/2010
WO	WO 2010/135785	A1	12/2010
WO	WO 2011/056080	A1	5/2011
WO	WO 2011/122964	A1	10/2011
WO	WO 2011/149362	A1	12/2011
WO	WO 2012/154064	A2	11/2012
WO	WO 2012/160477	A1	11/2012
WO	WO 2012/171072	A1	12/2012
WO	WO 2013/020167	A1	2/2013

OTHER PUBLICATIONS

“BalContact Springs Current Carrying Contact Elements DM-7, BalContact Advantages”, Bal Seal Canted Coil Spring Catalog, Report No. 621-9, 2003, Bal Seal Engineering Company, Inc., 27 pages.
 Office Action dated Jan. 29, 2016 in U.S. Appl. No. 12/461,967 (30 pages).
 Office Action dated Dec. 4, 2014 in U.S. Appl. No. 29/456,477 (9 pages).
 Office Action dated Dec. 3, 2014 in U.S. Appl. No. 29/456,458 (7 pages).
 Office Action dated Nov. 7, 2014 in Design U.S. Appl. No. 29/482,519 (5 pages).
 ResMed S9™ Series, No Other Sleep Therapy System Delivers, 2010 (12 pages).
 Philips Respironics, System One Sleep Therapy System, May 2012 (2 pages).
 Fisher & Paykel Healthcare, Icon Brochure, 2010 (2 pages).
 Fisher & Paykel Healthcare, Icon User Manual, Jan. 2010 (214 pages).
 Row et al., Design U.S. Appl. No. 29/311,222, filed Jan. 22, 2009. U.S. Appl. No. 29/456,458, filed May 2013, Formica et al.
 U.S. Appl. No. 29/502,152, filed Sep. 2014, Bertinetti et al.
 U.S. Appl. No. 29/480,971, filed Jan. 2014, Desvoyes et al.
 Virr et al., Design U.S. Appl. No. 29/311,183, filed Jan. 12, 2009, for “Cuff for Air Delivery Tube.”
 Row et al., Design U.S. Appl. No. 29/443,523, filed Jan. 18, 2013 for “Cuff for Air Delivery Tube.”
 Formica et al., Design U.S. Appl. No. 29/553,470, filed Feb. 2, 2016 for “Air Delivery Tube” (parent application).
 Bath et al., Design U.S. Appl. No. 29/482,519, filed Feb. 19, 2014, for “Positive Airway Pressure Delivery Console.”
 Verma et al., Design U.S. Appl. No. 29/482,541, filed Feb. 19, 2014, for “Humidifier Reservoir for Positive Airway Pressure Delivery Console.”
 Formica et al., Design U.S. Appl. No. 29/485,313, filed Mar. 18, 2014, for “Air Delivery Tube.”
 Bertinetti et al., Design U.S. Appl. No. 29/492,344, filed May 30, 2014, for “Display Screen with Graphical User Interface.”
 Huby et al., U.S. Appl. No. 61/838,971, filed Jun. 25, 2013, for “Outlet Connection Assembly and Method of Making the Same.”
 Foote et al., U.S. Appl. No. 61/987,245, filed May 1, 2014, for “Outlet Connection Assembly and Method of Making the Same.”

* cited by examiner

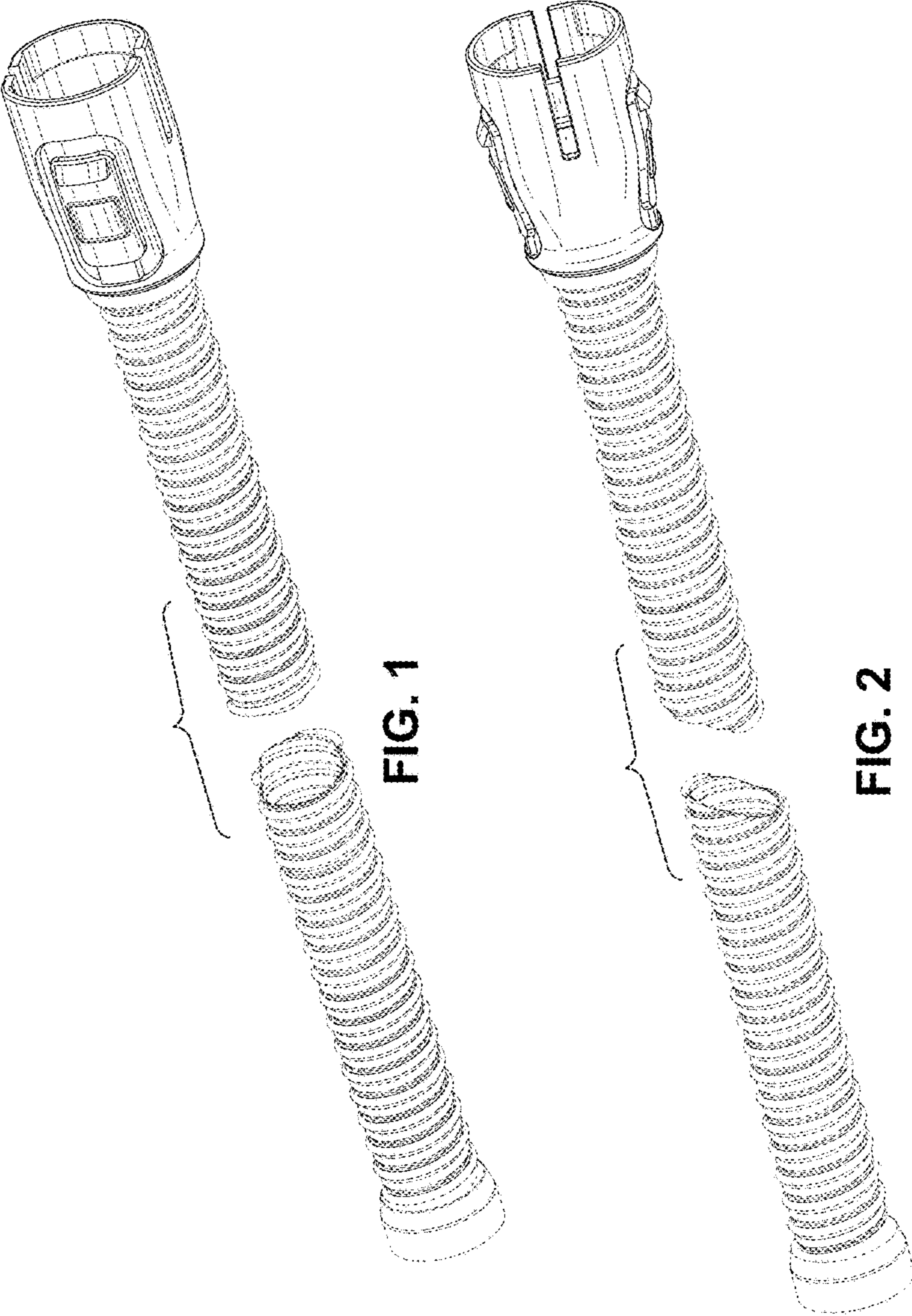


FIG. 1

FIG. 2

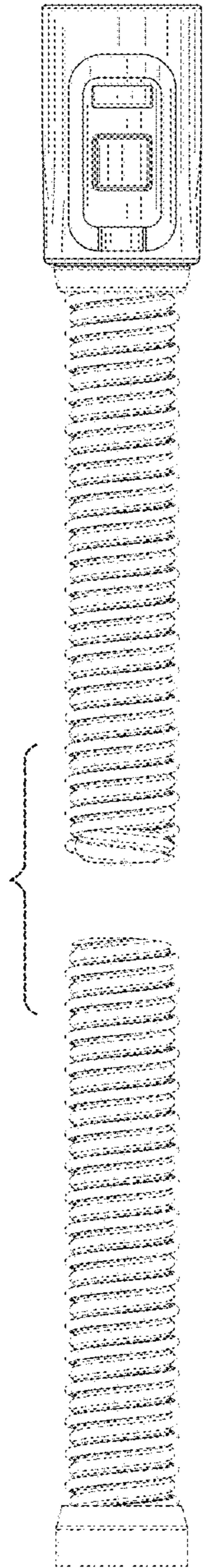


FIG. 3

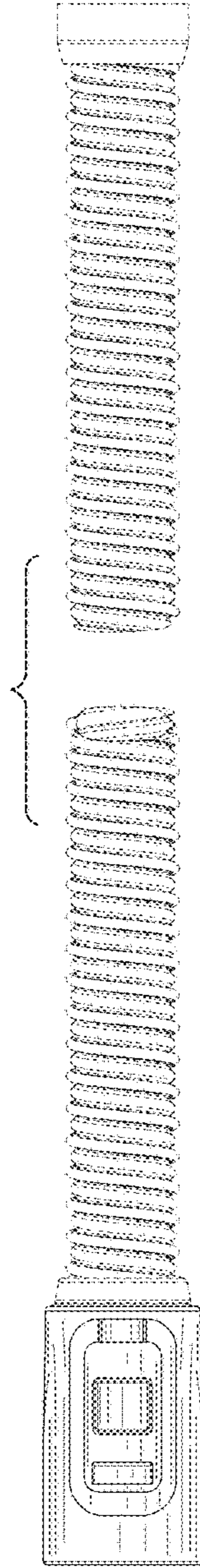


FIG. 4

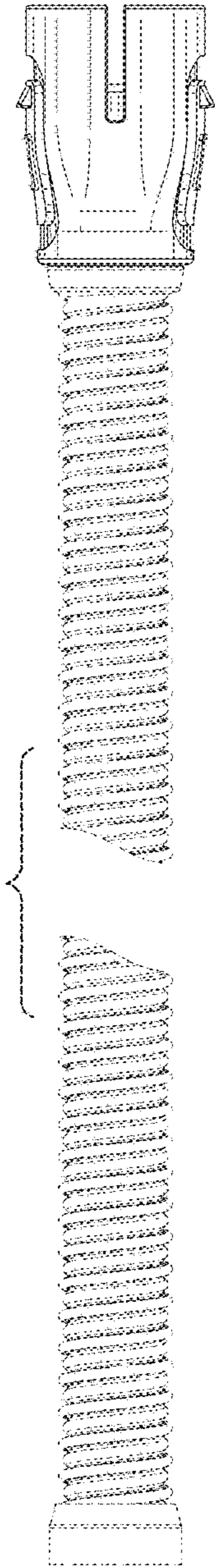


FIG. 5

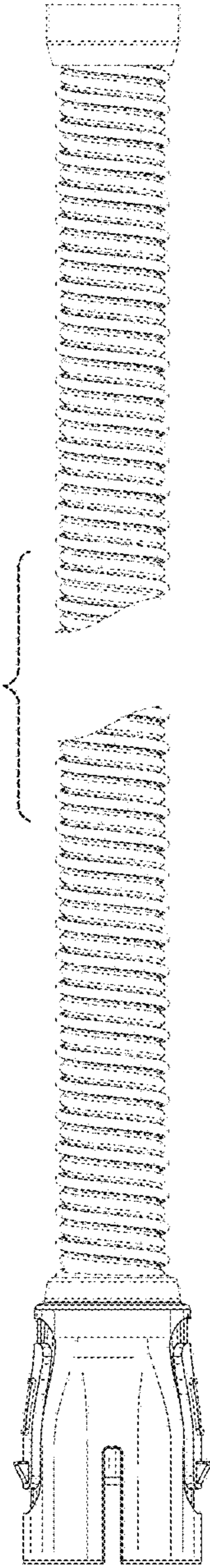


FIG. 6

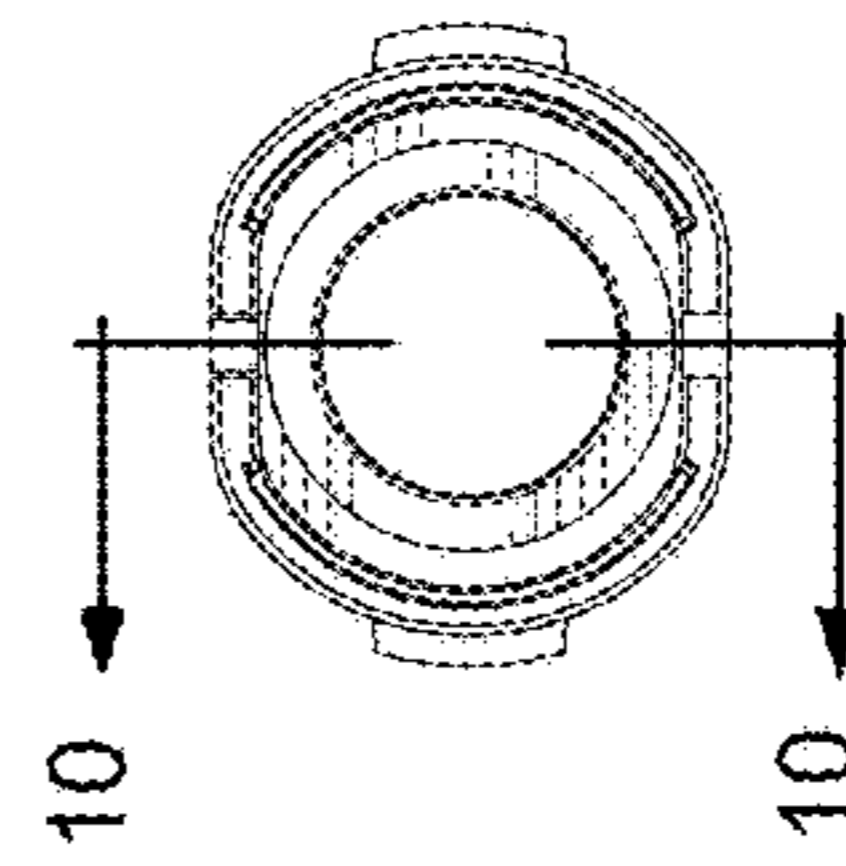


FIG. 7

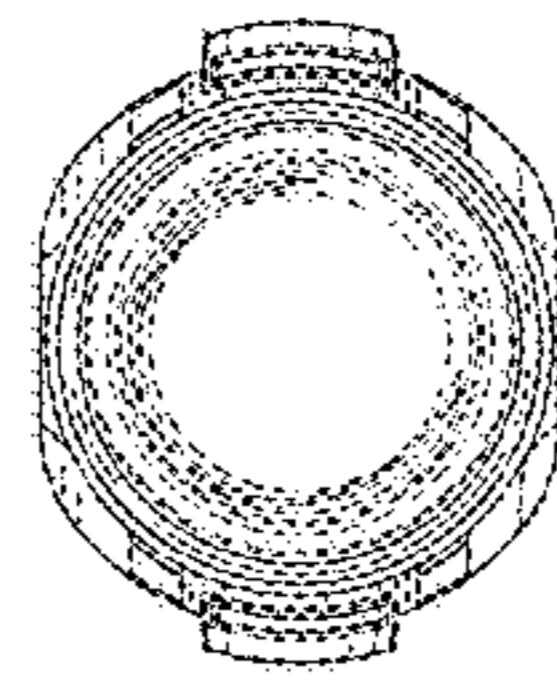


FIG. 8

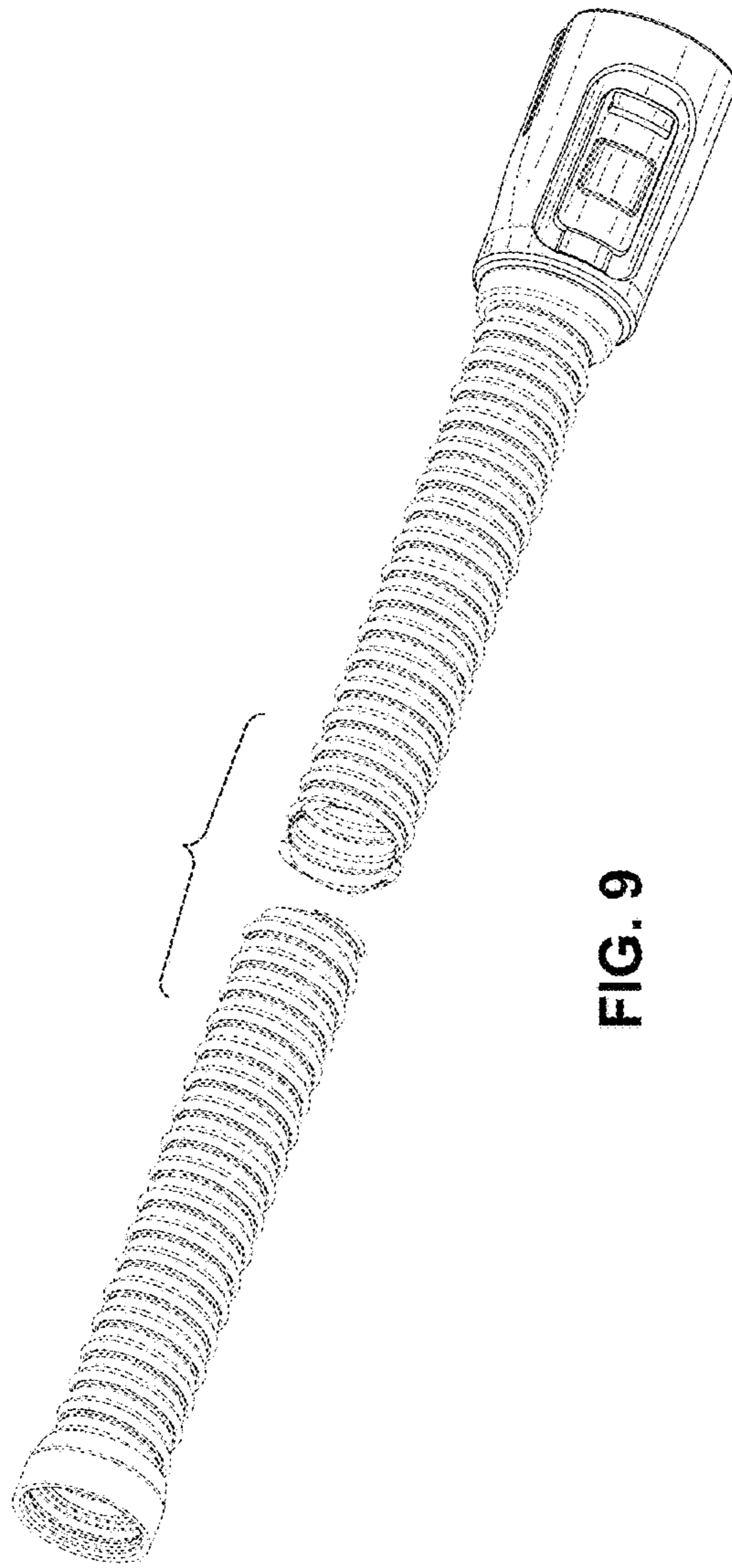


FIG. 9

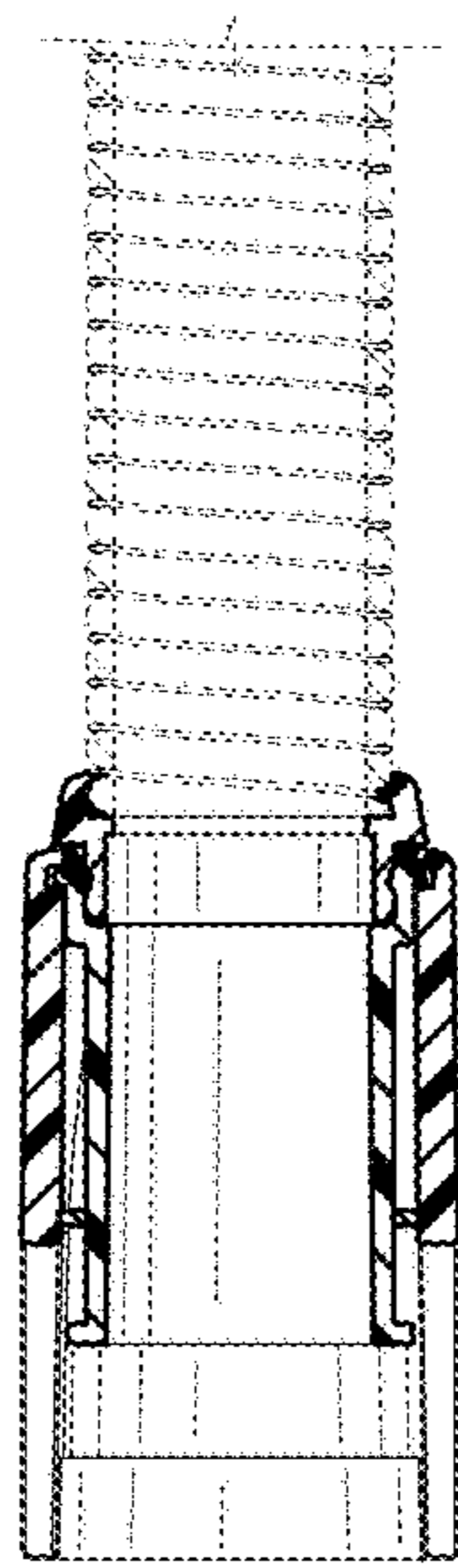


FIG. 10