



US00D849231S

(12) **United States Design Patent** (10) **Patent No.:** **US D849,231 S**  
**Yang et al.** (45) **Date of Patent:** **\*\* May 21, 2019**

(54) **NEBULIZER** 6,543,443 B1 \* 4/2003 Klimowicz ..... A61M 15/0085  
128/200.14  
(71) Applicant: **MICROBASE TECHNOLOGY** 6,736,135 B1 \* 5/2004 Klich ..... A61M 15/00  
**CORPORATION**, Taoyuan (TW) 128/200.14  
D568,464 S \* 5/2008 Attolini ..... D24/110  
(72) Inventors: **Shao-Ming Yang**, Taoyuan (TW); D585,977 S \* 2/2009 Brown ..... D24/110  
**Chien-Hua Lin**, Taoyuan (TW); **Chih** D694,876 S \* 12/2013 Greenhalgh ..... D24/110.5  
**Wei Chou**, Taoyuan (TW) D753,282 S \* 4/2016 Lee ..... D24/100  
D757,245 S \* 5/2016 Lee ..... D24/110  
2003/0062038 A1 \* 4/2003 Tanaka ..... A61M 15/00  
128/200.14  
(73) Assignee: **MICROBASE TECHNOLOGY** 2003/0136399 A1 \* 7/2003 Foley ..... A61M 11/06  
**CORPORATION**, Taoyuan (TW) 128/200.14  
2005/0011514 A1 \* 1/2005 Power ..... A61M 15/0085  
128/200.14  
(\*\*) Term: **15 Years**

(Continued)

(21) Appl. No.: **29/569,565**

(22) Filed: **Jun. 29, 2016**

(30) **Foreign Application Priority Data**

Jan. 26, 2016 (TW) ..... 105300384

(51) **LOC (11) Cl.** ..... **29-02**

(52) **U.S. Cl.**  
USPC ..... **D24/110**

(58) **Field of Classification Search**  
USPC ..... D24/107, 108, 110, 110.5, 164;  
D10/119.1-119.3  
CPC ..... A61J 19/02; A61J 19/00; A41D 13/11;  
G10K 11/161; A61M 11/005; A61M  
11/02; A61M 11/003; A61M 11/00;  
A61M 11/004; A61M 15/0085; A61M  
15/0021; A61M 15/0065; A61M 15/00;  
A61M 16/0086

See application file for complete search history.

(56) **References Cited**

**U.S. PATENT DOCUMENTS**

6,283,118 B1 \* 9/2001 Lu ..... A61M 11/005  
128/200.16  
D471,626 S \* 3/2003 Terada ..... D24/110

**OTHER PUBLICATIONS**

PocketAir Portable Nebulizer. Marketing Microbase. YouTube.com.  
Date published: Oct. 10, 2016. <<https://www.youtube.com/watch?v=KBaZpudQlu4v=KBaZpudQlu4>> (Year: 2016).\*

*Primary Examiner* — Lilyana Bekic

(74) *Attorney, Agent, or Firm* — Leong C. Lei

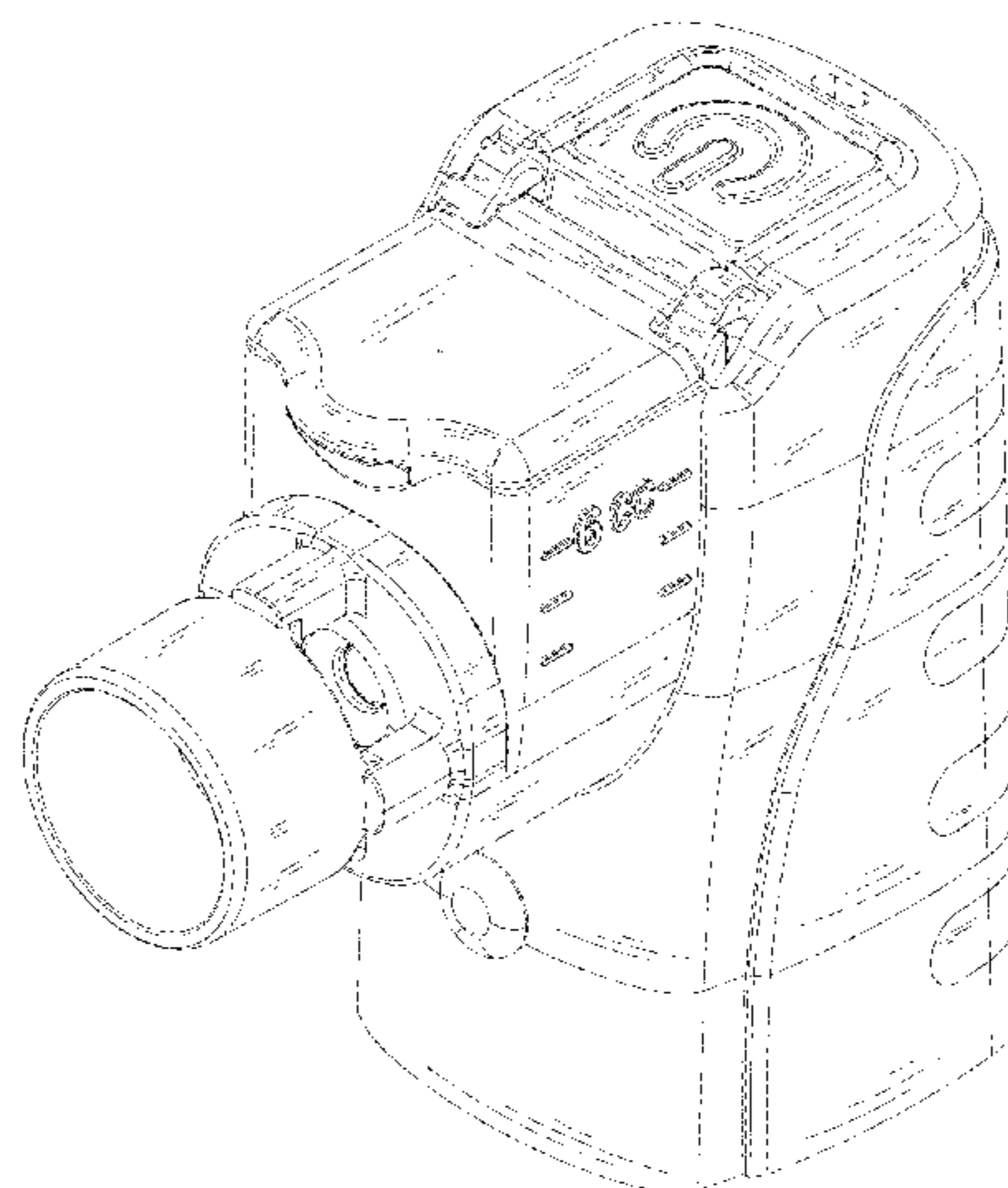
(57) **CLAIM**

The ornamental design for a nebulizer, as shown and described.

**DESCRIPTION**

FIG. 1 is a perspective view of a nebulizer showing our new design;  
FIG. 2 is a front elevational view thereof;  
FIG. 3 is a rear elevational view thereof;  
FIG. 4 is a left side view thereof;  
FIG. 5 is a right side view thereof;  
FIG. 6 is a top plan view thereof; and,  
FIG. 7 is a bottom plan view thereof.  
The broken lines in the drawings depict portions of the nebulizer that form no part of the claimed design.

**1 Claim, 7 Drawing Sheets**



(56)

**References Cited**

U.S. PATENT DOCUMENTS

2006/0201501 A1\* 9/2006 Morrison ..... A61M 15/0085  
128/203.27  
2006/0243274 A1\* 11/2006 Lieberman ..... A61M 11/005  
128/200.14  
2009/0114737 A1\* 5/2009 Yu ..... A61M 11/005  
239/69  
2012/0174917 A1\* 7/2012 Chen ..... A61M 11/06  
128/200.23  
2012/0216800 A1\* 8/2012 Dyche ..... A61M 11/005  
128/200.14  
2012/0227735 A1\* 9/2012 Abate ..... A61M 11/06  
128/200.14  
2012/0266921 A1\* 10/2012 Furusawa ..... A61M 11/005  
134/117  
2016/0206835 A1\* 7/2016 Lee ..... A61M 15/0028  
2016/0271343 A1\* 9/2016 Abate ..... A61M 15/0085  
2017/0291000 A1\* 10/2017 Salegui Echeveste .....  
A61M 15/0085

\* cited by examiner

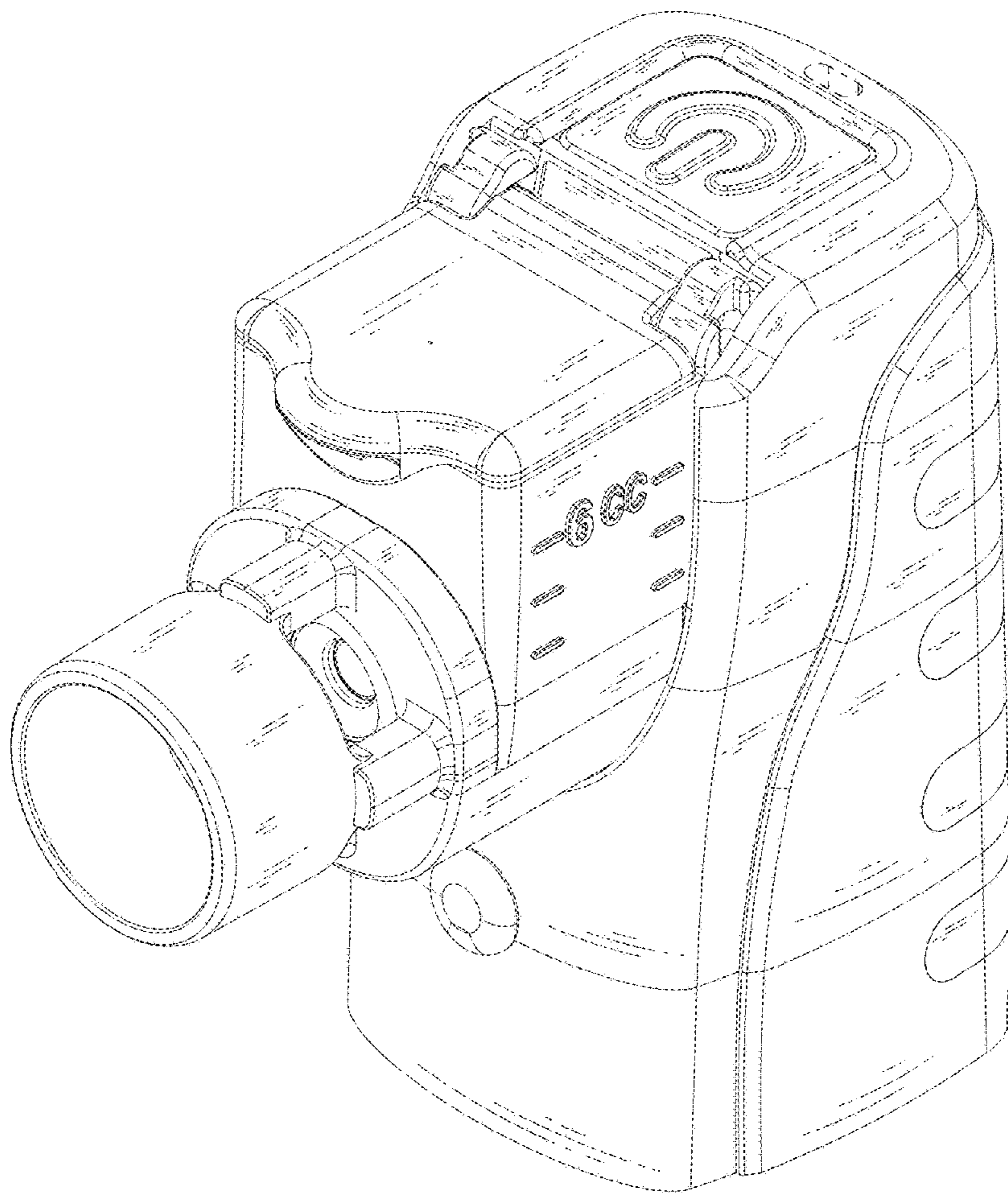


Fig. 1

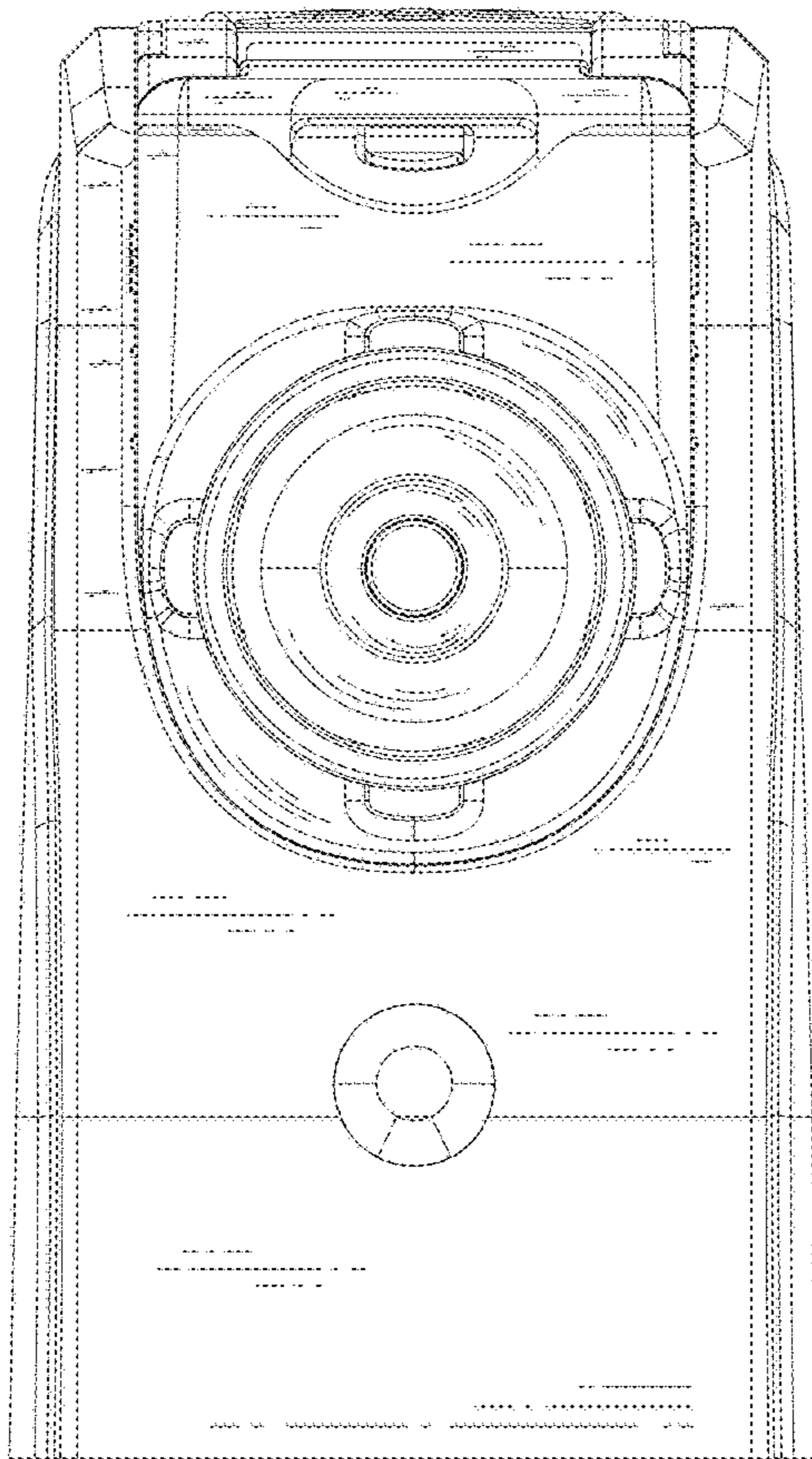


Fig. 2

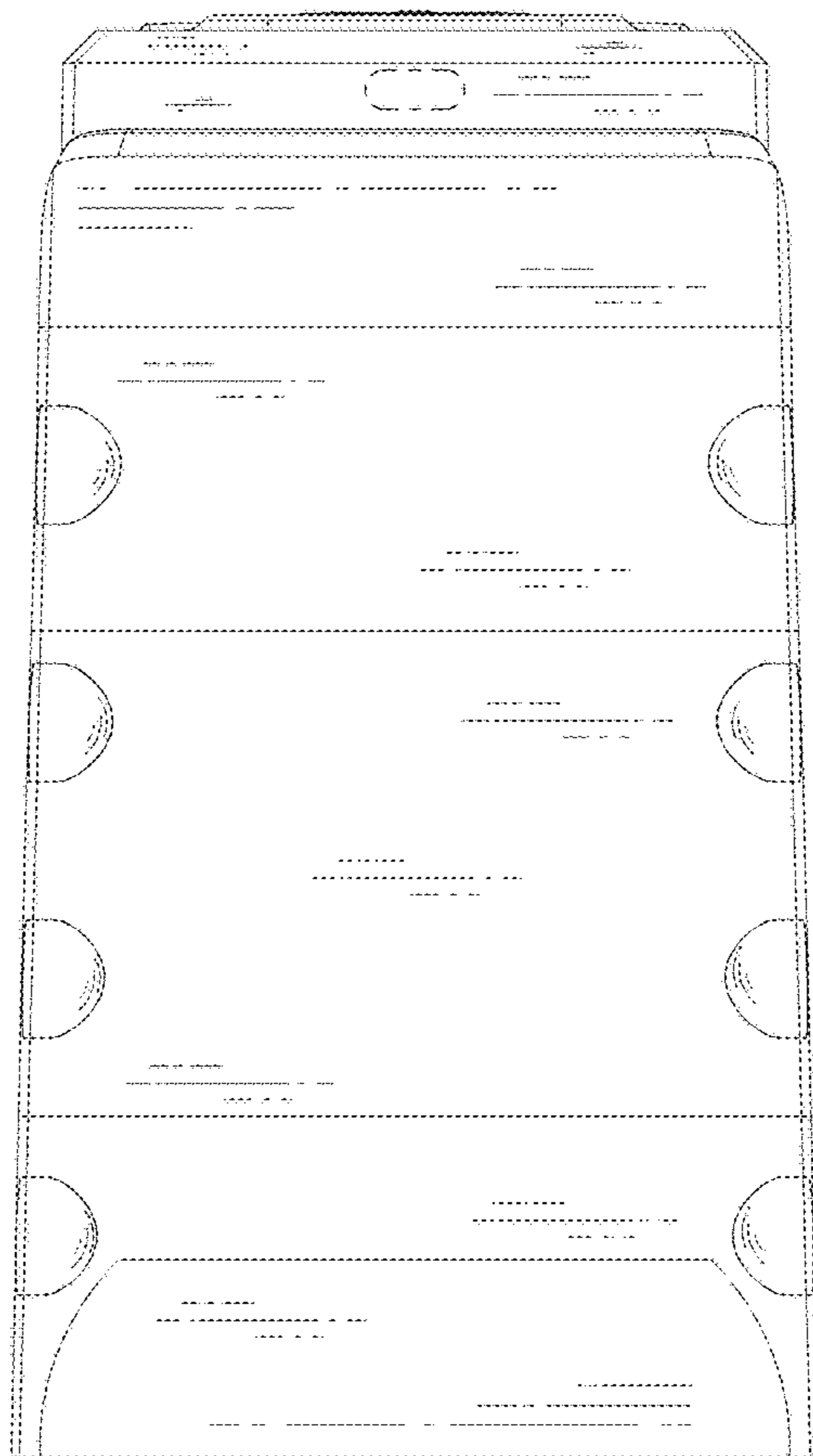


Fig. 3

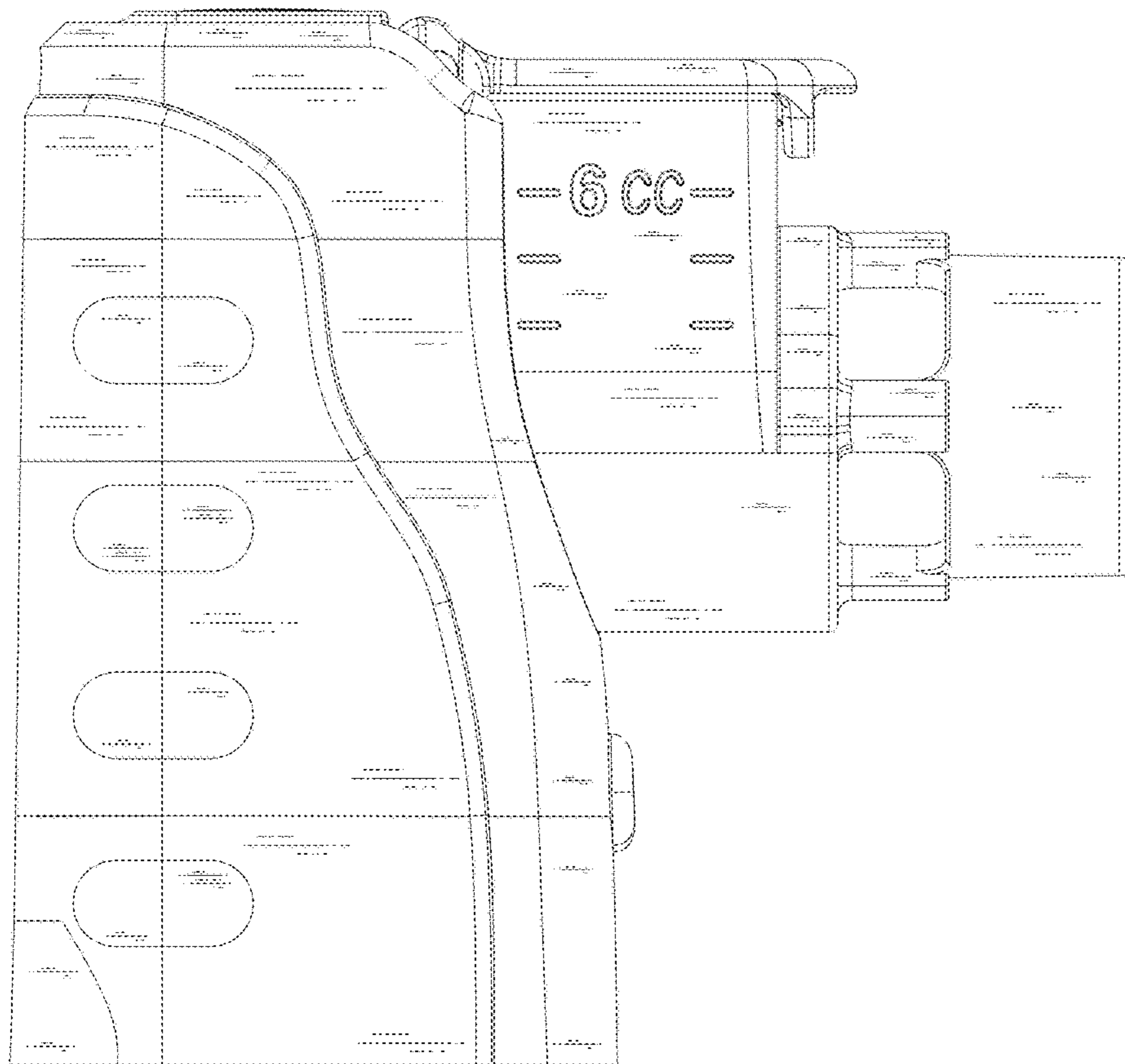


Fig. 4

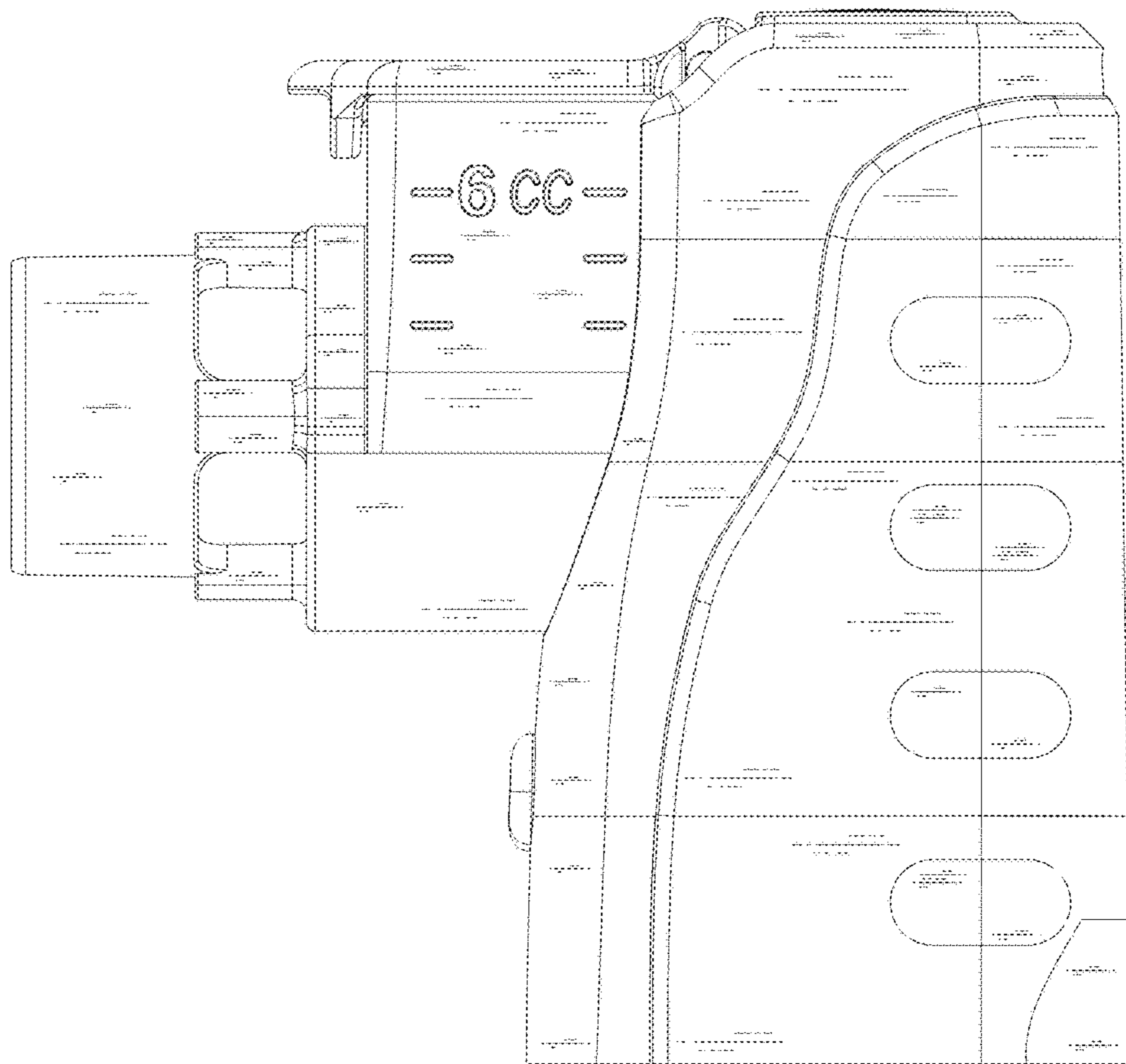


Fig. 5

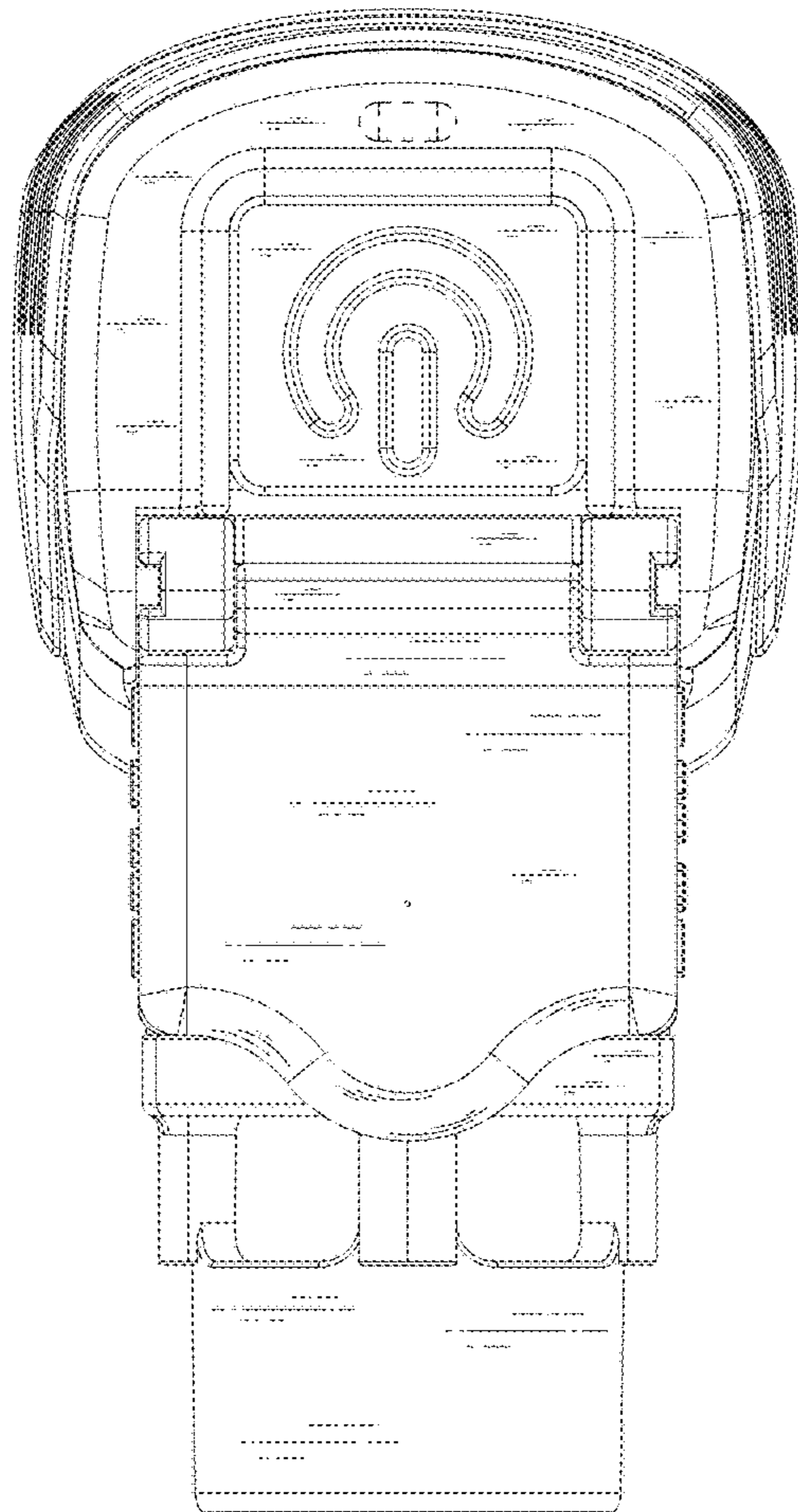


Fig. 6



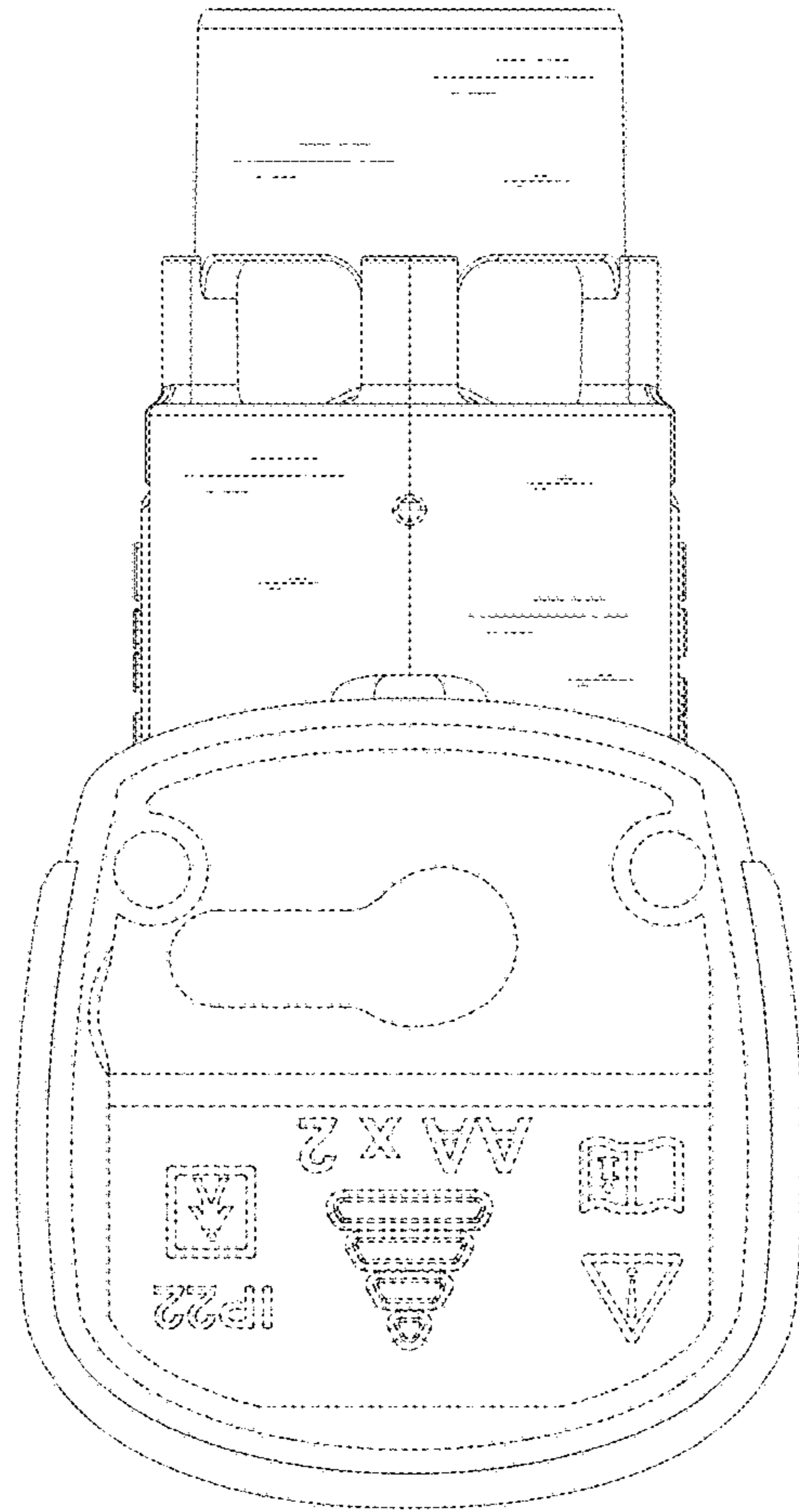


Fig. 7