

US00D849227S

(12) **United States Design Patent** (10) **Patent No.:** **US D849,227 S**
Ward et al. (45) **Date of Patent:** **** May 21, 2019**

- (54) **BURNER BUMP OUT**
- (71) Applicant: **Systems Spray-Cooled, Inc**, Smyrna, TN (US)
- (72) Inventors: **Troy D. Ward**, Franklin, TN (US);
Scott A. Ferguson, Murfreesboro, TN (US)
- (73) Assignee: **Systems Spray-Cooled, Inc.**, Smyrna, TN (US)
- (**) Term: **15 Years**
- (21) Appl. No.: **29/629,274**
- (22) Filed: **Dec. 12, 2017**
- (51) **LOC (11) Cl.** **23-99**
- (52) **U.S. Cl.**
USPC **D23/418**
- (58) **Field of Classification Search**
USPC D23/314, 322, 323, 329, 341, 347, 402,
D23/403, 407, 409, 410, 415, 416, 417,
D23/418; D13/182; D15/138
CPC . F23D 14/78; F23C 5/02; F23M 5/025; F27B
3/205; C21C 5/5217; F27D 99/0033
See application file for complete search history.

- (56) **References Cited**
U.S. PATENT DOCUMENTS
1,702,977 A * 2/1929 Mott, Jr. et al. F23M 5/00
126/144
D404,369 S * 1/1999 Kawachi D13/182
6,614,831 B2 9/2003 Shver
D776,798 S * 1/2017 Winkler D23/332
D804,436 S * 12/2017 Tauchi D13/182
D826,300 S * 8/2018 Michla D15/144
2005/0175945 A1* 8/2005 Chung F23C 6/047
431/116
2006/0207258 A1* 9/2006 Tanner F23C 5/02
60/748

- 2007/0292811 A1* 12/2007 Poe F23D 14/08
431/116
- 2009/0245319 A1 10/2009 Higgins
- 2013/0322485 A1 12/2013 Dorndorf et al.
- 2016/0018105 A1* 1/2016 Martin F23D 14/08
431/8
- 2016/0123664 A1* 5/2016 Tomita F27B 3/205
75/10.34
- 2017/0009981 A1* 1/2017 Shaw F23C 5/02
- 2017/0059154 A1 3/2017 Luka et al.

(Continued)

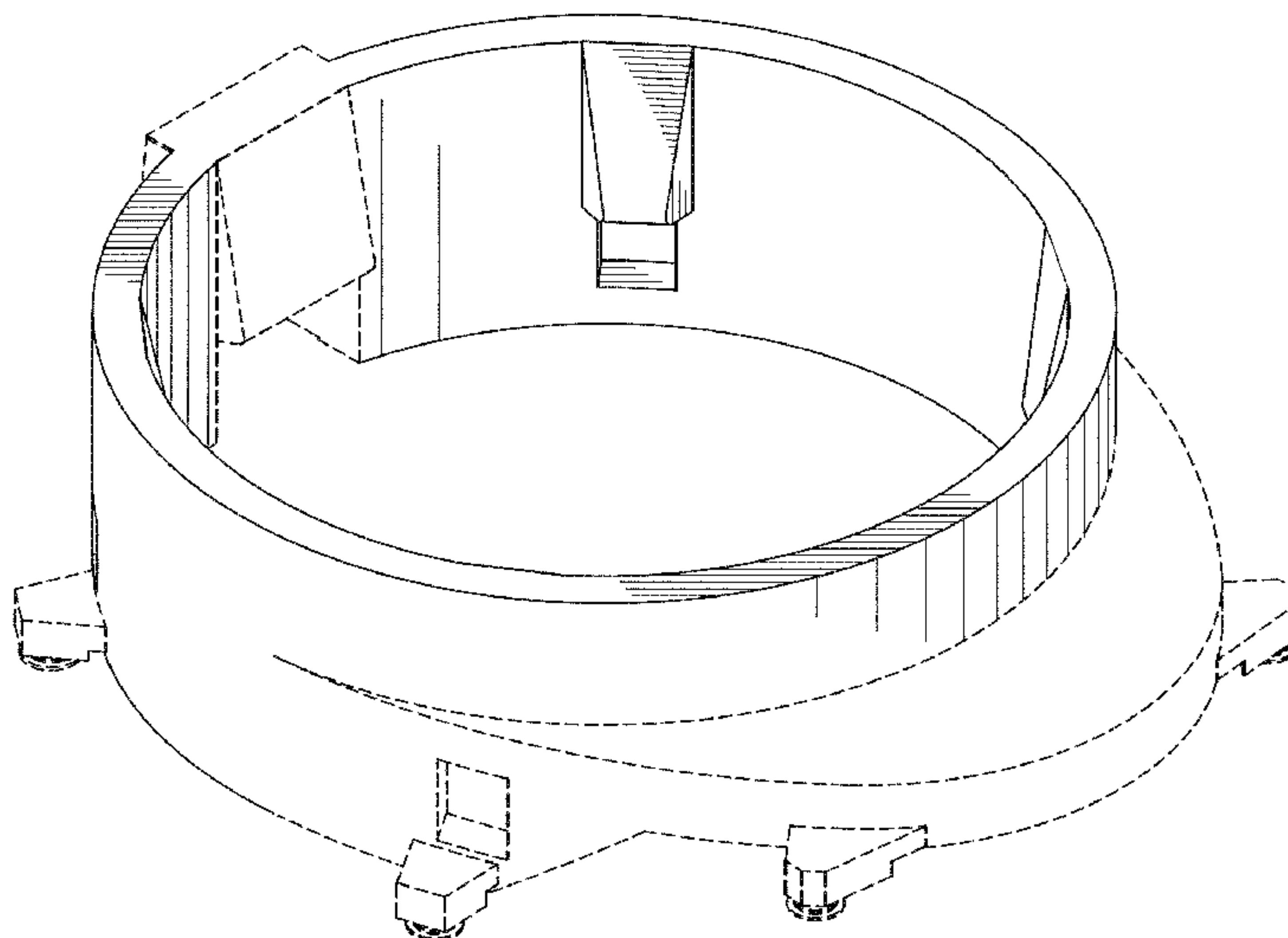
Primary Examiner — T Chase Nelson
Assistant Examiner — Ania Aman
(74) *Attorney, Agent, or Firm* — Patterson + Sheridan, LLP

(57) **CLAIM**
The ornamental design for a burner bump out, as shown and described.

DESCRIPTION

FIG. 1 is a top perspective view of a burner bump out showing our new design.
FIG. 2 is a bottom perspective view thereof.
FIG. 3 is a top plan view thereof.
FIG. 4 is a bottom plan view thereof.
FIG. 5 is a first elevation view thereof.
FIG. 6 is a second elevation view thereof.
FIG. 7 is a third side elevation thereof, opposite the first side.
FIG. 8 is a fourth side elevation thereof, opposite the second side.
FIG. 9 is a cross-section view thereof taken through section line 9-9 as shown in FIG. 3; and,
FIG. 10 is a cross-section view thereof taken through section line 10-10 as shown in FIG. 3.
The broken lines in the figures depict the bounds of the claimed design and unclaimed subject matter, which forms no part of the claimed design.
All surfaces not shown form no part of the claimed design.

1 Claim, 10 Drawing Sheets



(56)

References Cited

U.S. PATENT DOCUMENTS

2017/0067640 A1* 3/2017 Savary F23R 3/002
2018/0209641 A1* 7/2018 Garossino F23D 14/24

* cited by examiner

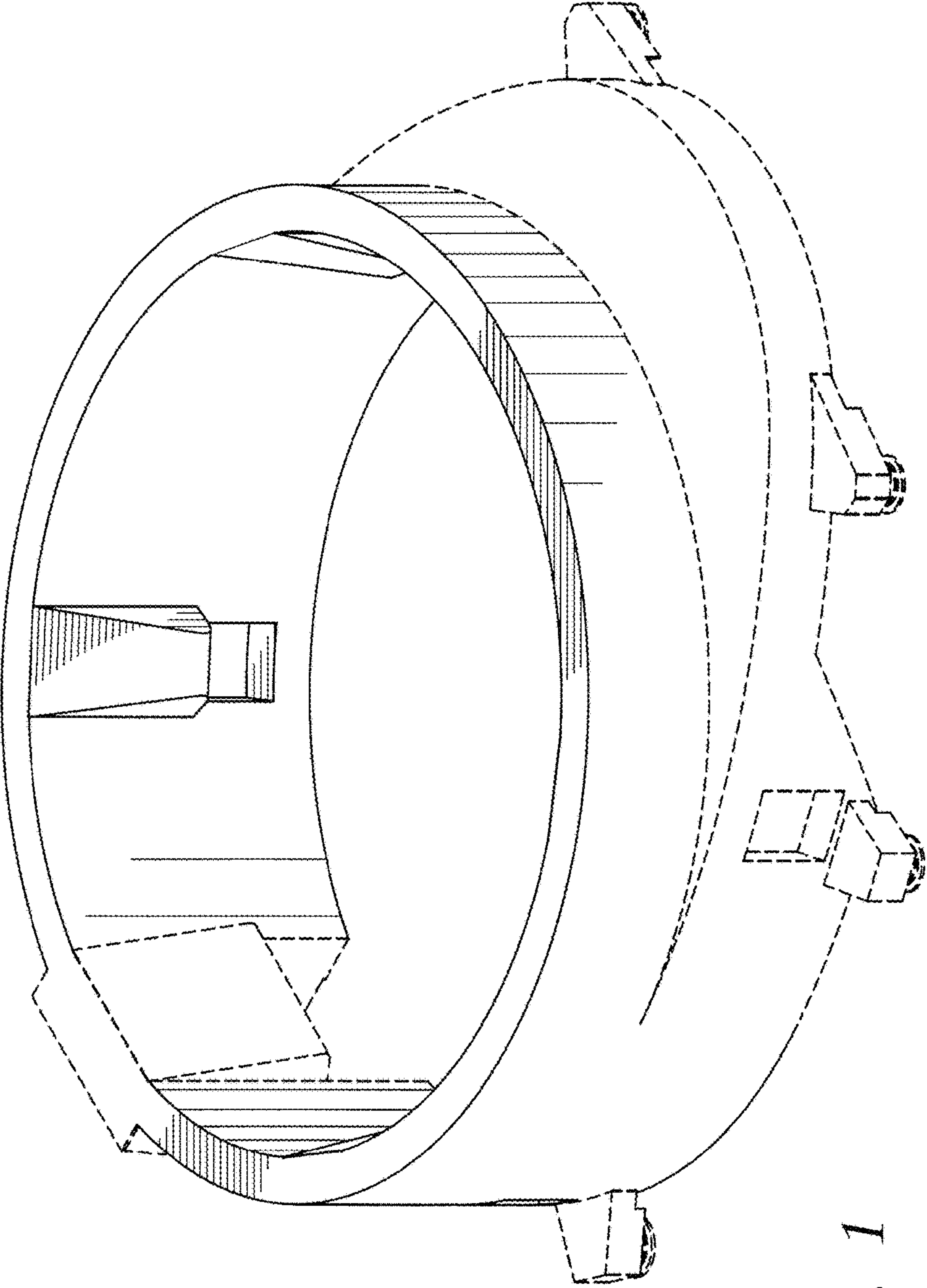


Fig. 1

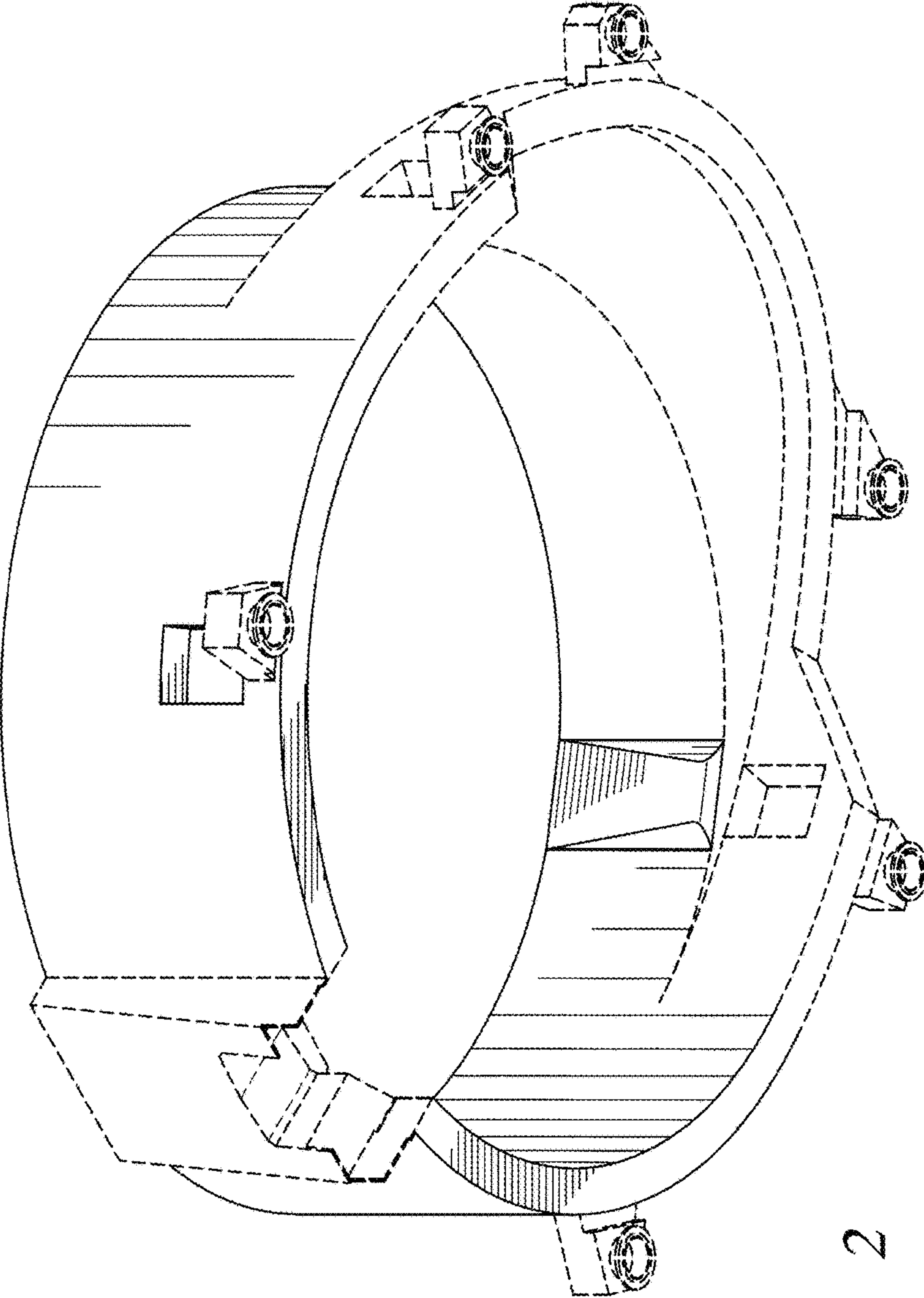


Fig. 2

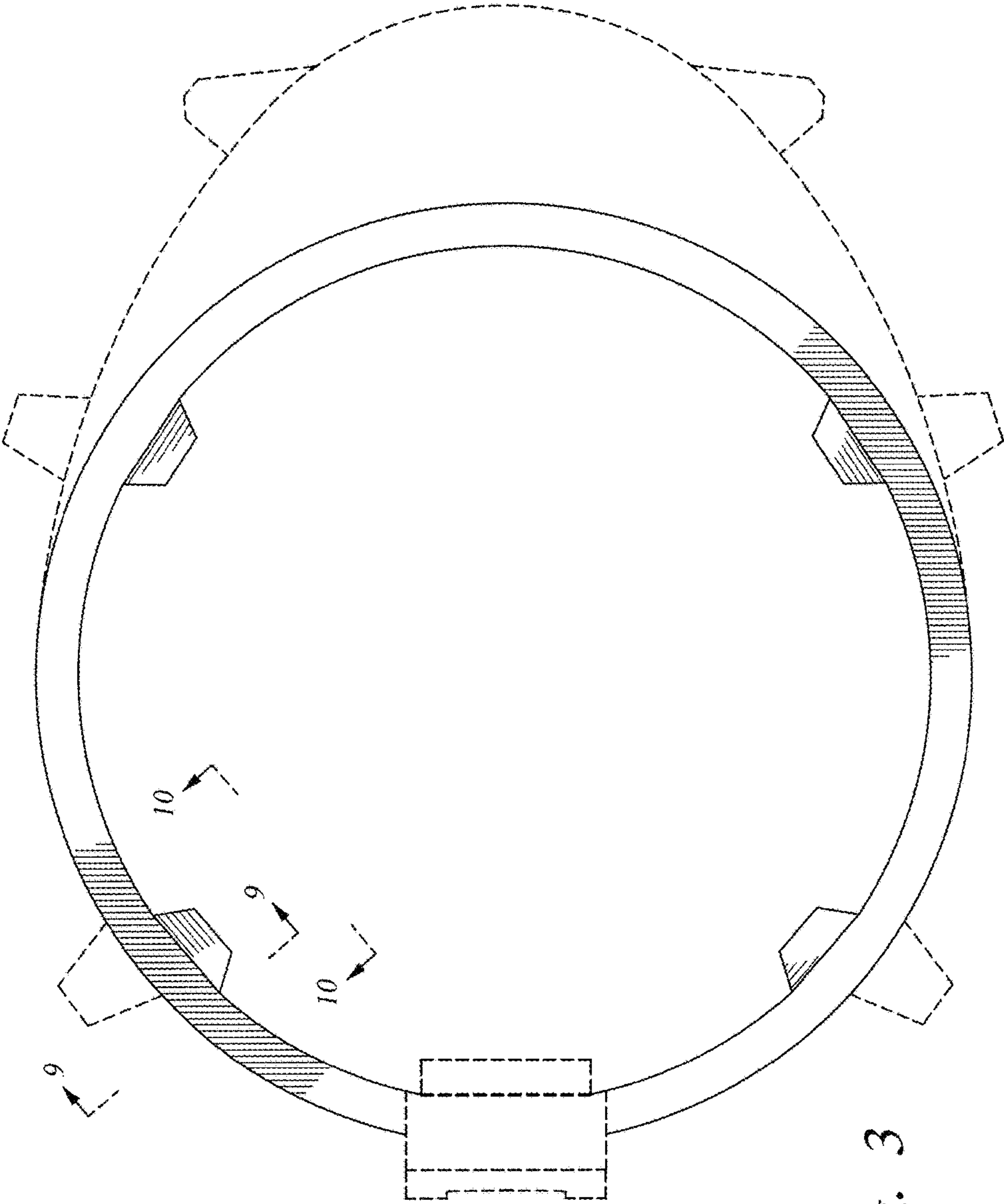


Fig. 3

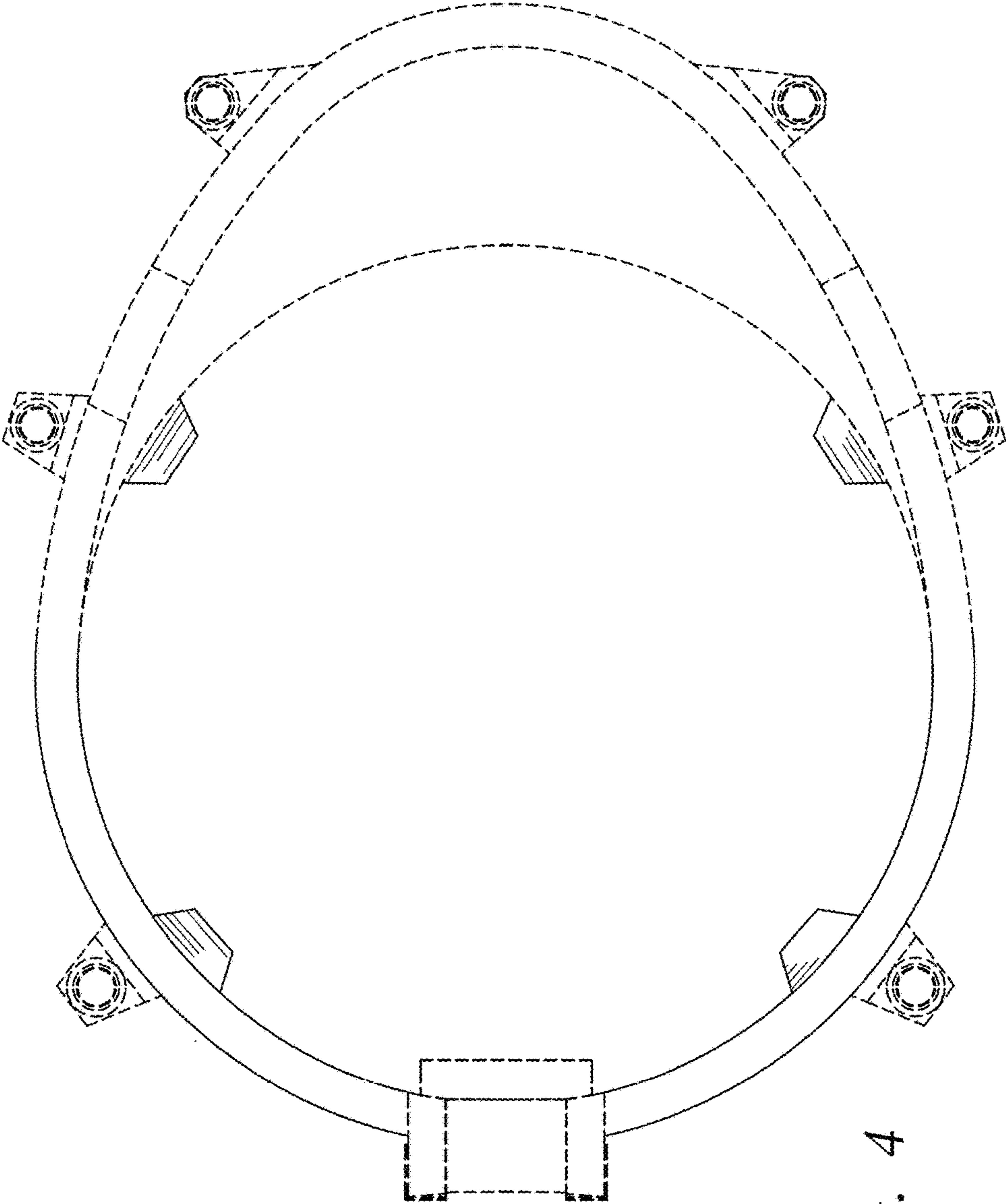


Fig. 4

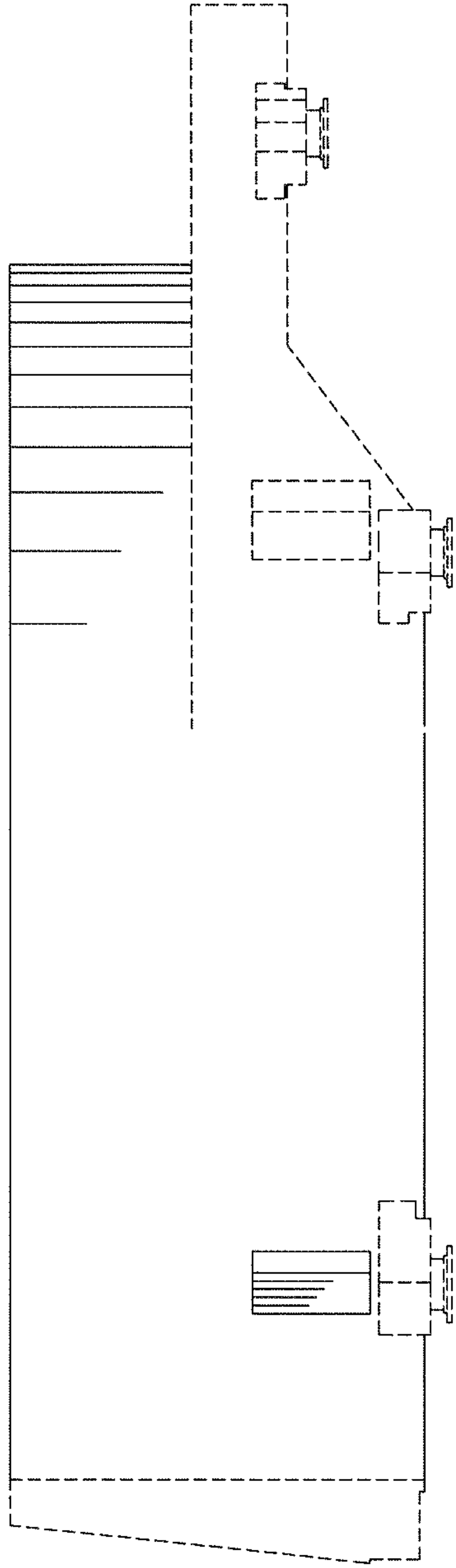


Fig. 5

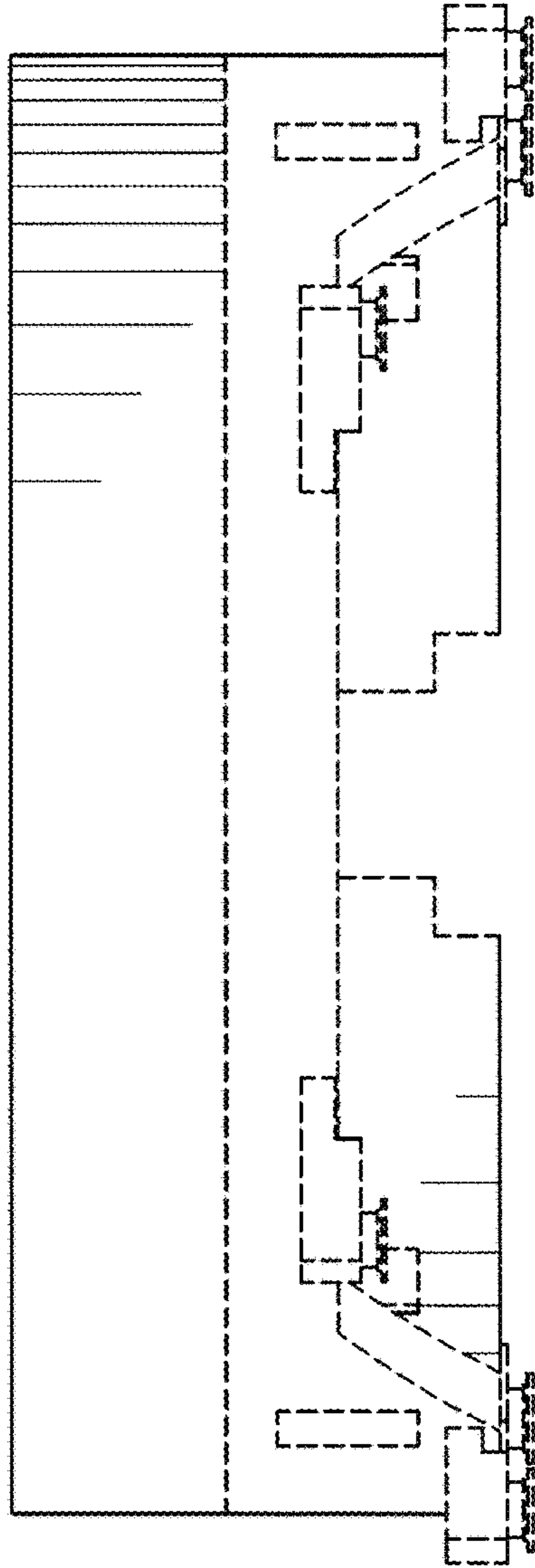


Fig. 6

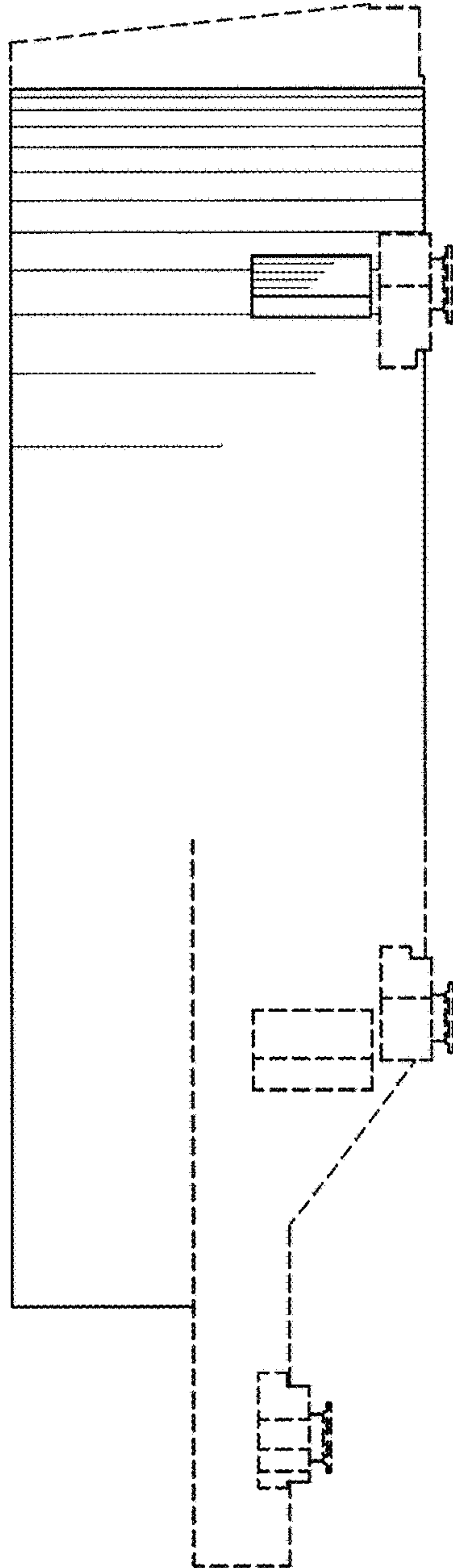


Fig. 7

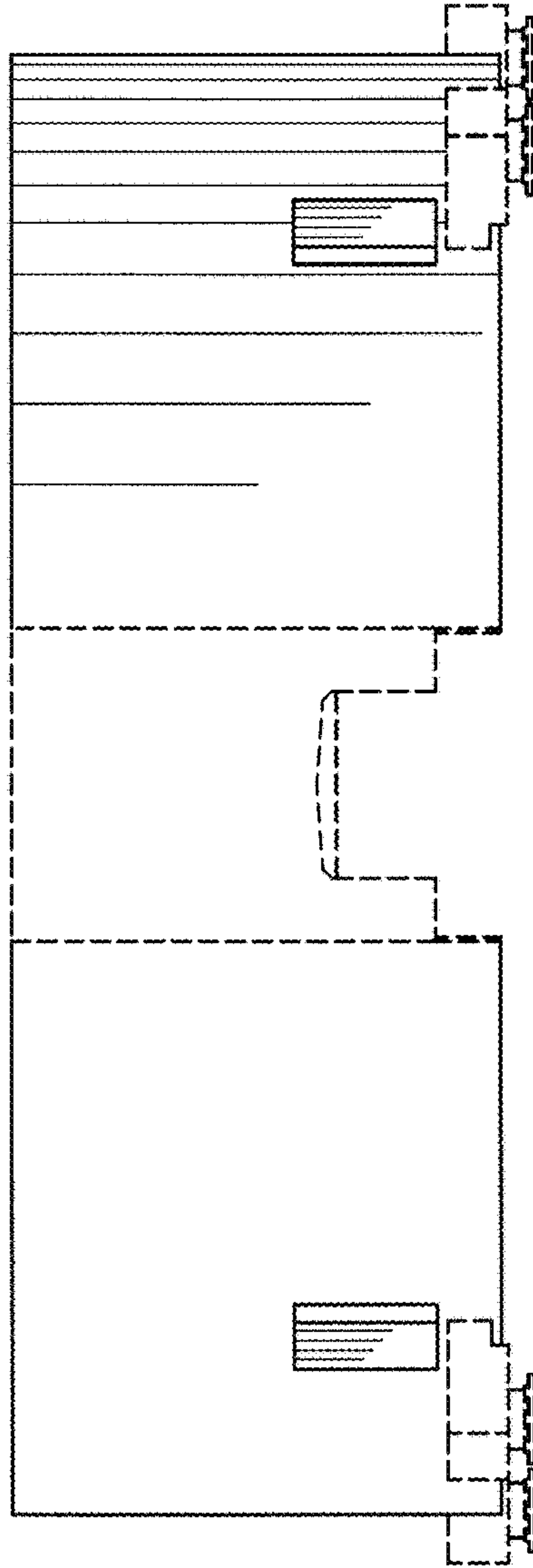
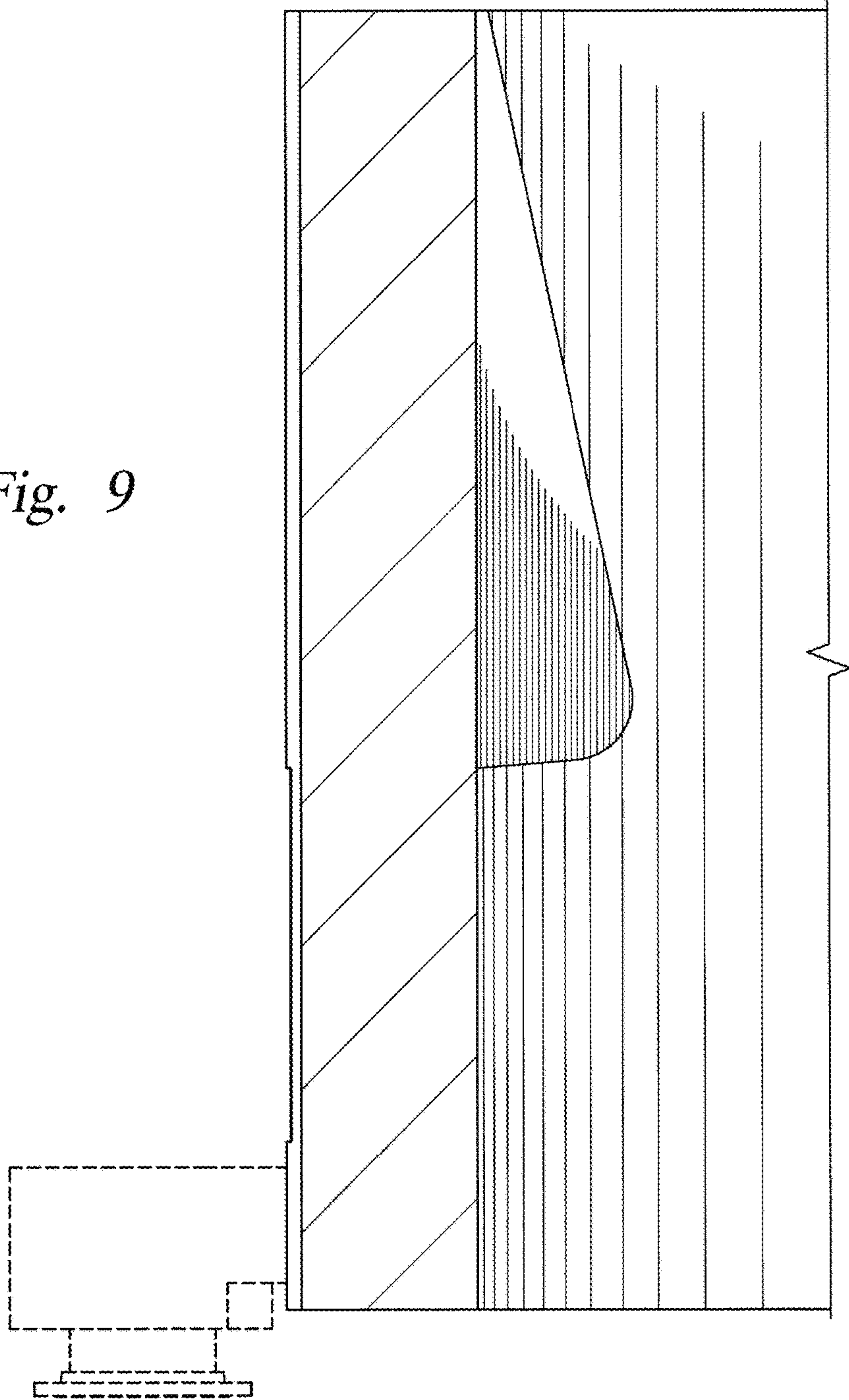


Fig. 8

Fig. 9



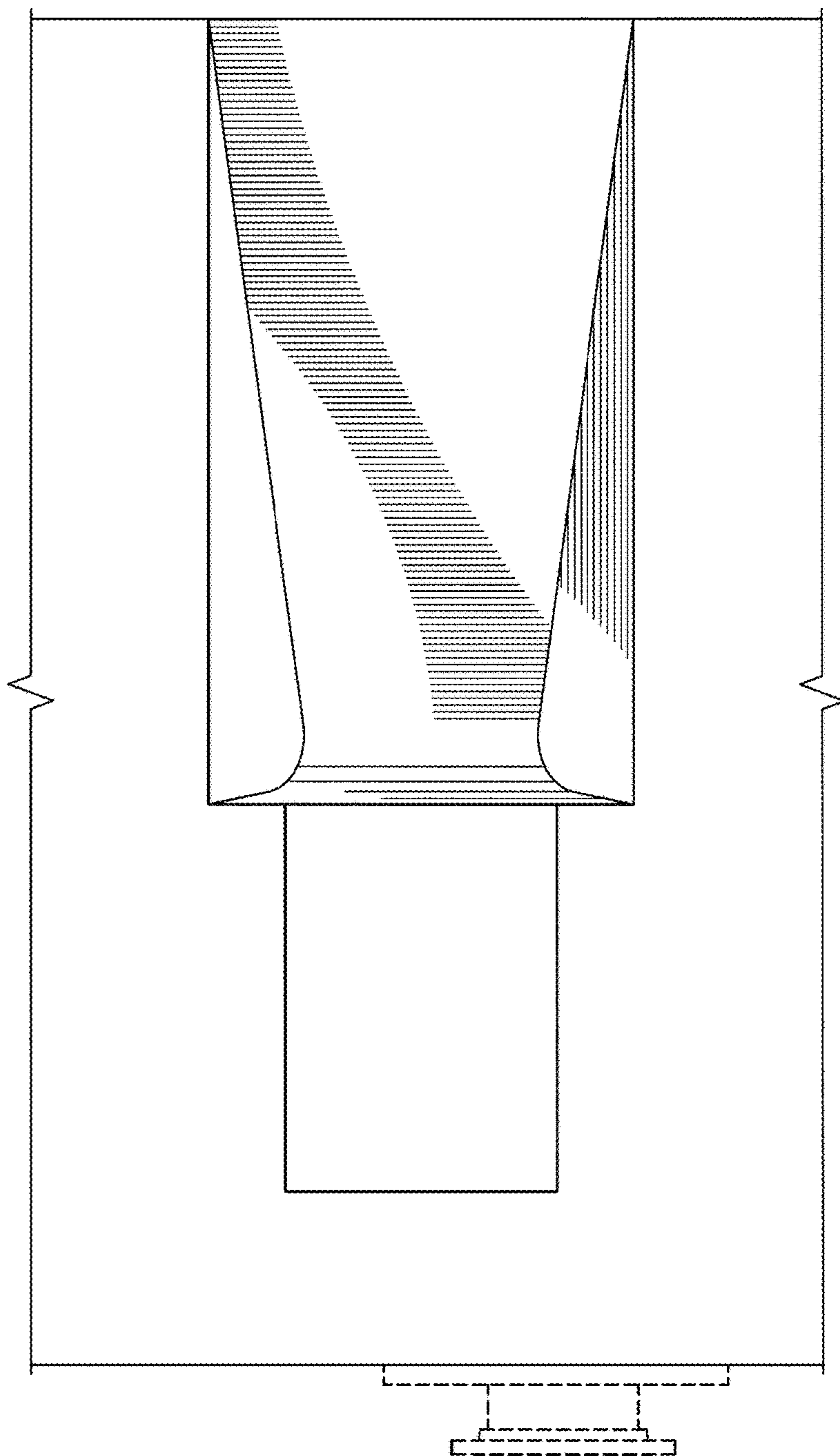


Fig. 10