



US00D849225S

(12) **United States Design Patent** (10) **Patent No.:** **US D849,225 S**
Schulzman (45) **Date of Patent:** **** May 21, 2019**

- (54) **CEILING FAN**
- (71) Applicant: **Minka Lighting, Inc.**, Corona, CA
(US)
- (72) Inventor: **Kurt Schulzman**, Long Beach, CA
(US)
- (73) Assignee: **Minka Lighting, Inc.**, Corona, CA
(US)
- (**) Term: **15 Years**
- (21) Appl. No.: **29/625,628**
- (22) Filed: **Nov. 10, 2017**
- (51) **LOC (11) Cl.** **23-04**
- (52) **U.S. Cl.**
USPC **D23/377**
- (58) **Field of Classification Search**
USPC D23/370-385, 411-414; D26/59
CPC F04D 25/088; F21V 33/0096
See application file for complete search history.

- 9,605,685 B2 * 3/2017 Wang F04D 29/34
- D799,660 S * 10/2017 Jones D23/377
- D800,292 S * 10/2017 Haggar D23/377
- D807,490 S * 1/2018 Ruan D23/377
- D817,472 S * 5/2018 Schulzman D23/377
- D818,572 S * 5/2018 Gajewski D23/377
- D828,535 S * 9/2018 Searle D23/377

(Continued)

OTHER PUBLICATIONS

Modern Fan Company Ceiling Fan Model IC/Air2 amazon.com 6 pgs Date First Available Sep. 11, 2017. [Retrieved Jan. 12, 2018]. https://www.amazon.com/Modern-Fan-Company-Ceiling-Handheld/dp/B075K2JH38/ref=sr_1_15?ie=UTF8&qid=1516032977&sr=8-15&keywords=modern+fan+company.

(Continued)

Primary Examiner — Cathron C Brooks
Assistant Examiner — Sharon S Oum
(74) *Attorney, Agent, or Firm* — Joseph R. Lanser;
Seyfarth Shaw LLP

(57) **CLAIM**

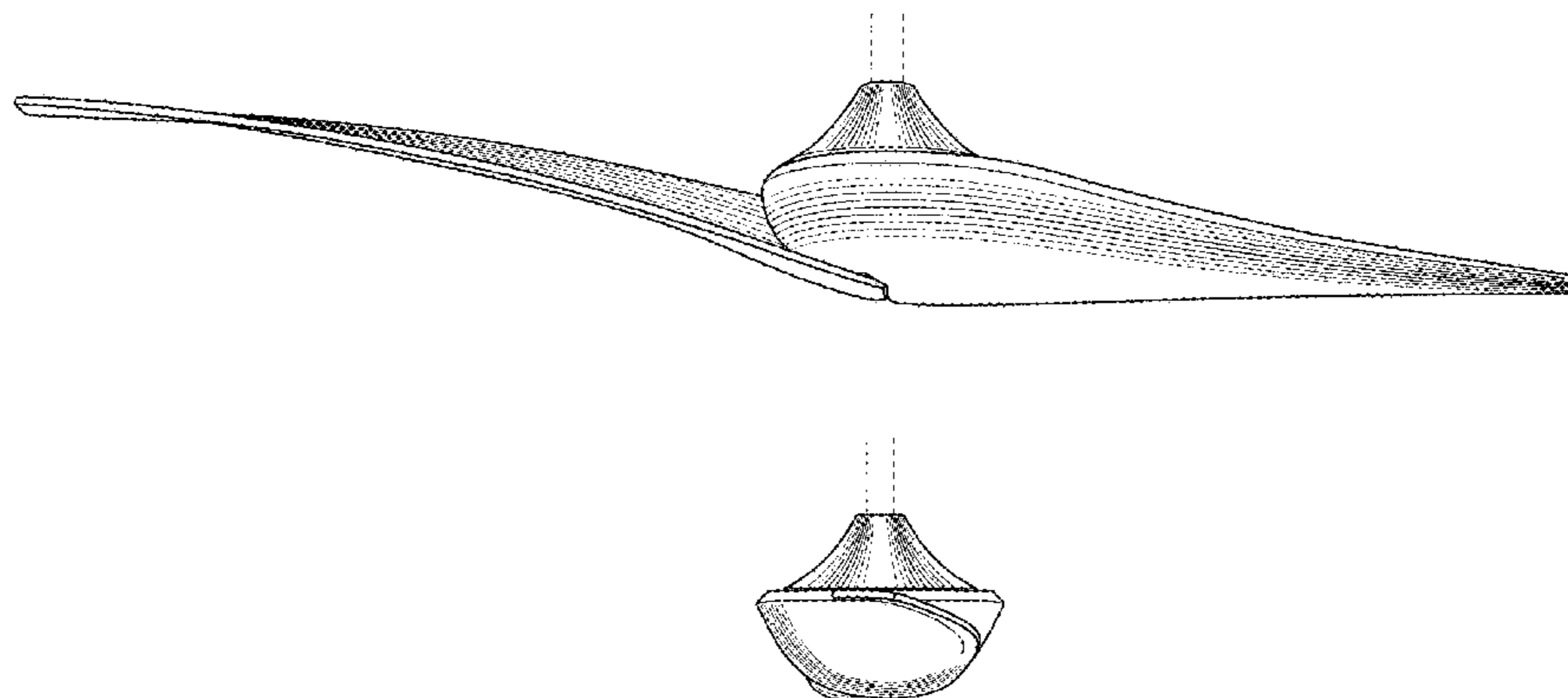
The ornamental design for a ceiling fan, as shown and described.

DESCRIPTION

FIG. 1 is a perspective view of a ceiling fan in accordance with my design;
FIG. 2 is a top plan view thereof;
FIG. 3 is a bottom plan view thereof;
FIG. 4 is a front elevation view thereof, the opposite side being a mirror image of that shown; and,
FIG. 5 is a left-side elevation view thereof, the opposite side being a mirror image of that shown.
The lighter and closely spaced lines in the drawings are surface shading and are not surface ornamentation.
The broken lines in the drawings illustrate environment of the ceiling fan that form no part of the claimed design.

1 Claim, 5 Drawing Sheets

- (56) **References Cited**
- U.S. PATENT DOCUMENTS
- 1,133,191 A * 3/1915 Staples F04D 29/34
416/214 R
- 1,602,755 A * 10/1926 Delage B64C 11/065
416/214 R
- D131,699 S * 3/1942 Funk 416/202
- D475,775 S * 6/2003 Da Costa D23/377
- D515,196 S * 2/2006 Indio da Costa D23/377
- D535,011 S * 1/2007 Gajewski D23/377
- D535,387 S * 1/2007 Gajewski D23/413
- D536,083 S * 1/2007 Gajewski D23/377
- D670,802 S * 11/2012 Wang D23/413
- D715,419 S * 10/2014 Schulzman D23/377
- D715,421 S * 10/2014 Schulzman D23/413
- D721,430 S * 1/2015 Schulzman D23/377
- D741,468 S * 10/2015 Ertze D23/377
- D750,213 S * 2/2016 Schulzman D23/385
- D762,296 S * 7/2016 Badarello D23/377
- D780,902 S * 3/2017 Gajewski D23/377



(56)

References Cited

U.S. PATENT DOCUMENTS

2007/0104583 A1* 5/2007 Gajewski F04D 25/088
416/210 R
2015/0110625 A1* 4/2015 De Siqueira Indio Da Costa
F24F 5/0035
416/5
2015/0336504 A1* 11/2015 Birgen B60Q 1/326
362/516

OTHER PUBLICATIONS

Craftmade Ceiling Fan Model VG54FB2. amazon.com 7 pgs . Date
First Available Feb. 26, 2013. [Retrieved Jan. 12, 2018]. [https://
www.amazon.com/Craftmade-VG54FB2-Ceiling-Blades-Included/
dp/B00NUJDNT8](https://www.amazon.com/Craftmade-VG54FB2-Ceiling-Blades-Included/dp/B00NUJDNT8).

Minka-Aire Ceiling Fan Model F843. amazon.com 9 pgs Date First
Available Apr. 3, 2013.[Retrieved Jan. 12, 2018]. [https://www.
amazon.com/Minka-Aire-F843-DK-Ceiling-Control-Distressed/dp/
B00CIDP8AE](https://www.amazon.com/Minka-Aire-F843-DK-Ceiling-Control-Distressed/dp/B00CIDP8AE).

Savoy House Ceiling Fan. amazon.com 8 pgs Date First Available
Jun. 19, 2013.[Retrieved Jan. 12, 2018]. [https://www.amazon.com/
Savoy-House-68-818-2CN-SN-2-Blade-Ceiling/dp/
B00DHFA5SW](https://www.amazon.com/Savoy-House-68-818-2CN-SN-2-Blade-Ceiling/dp/B00DHFA5SW).

Miseno Ceiling Fan Model MFAN6701 amazon.com 5 pgs Date
First Available Sep. 4, 2017 [Retrieved Jan. 12, 2018.] [https://www.
amazon.com/Miseno-MFAN-6701-Indoor-Ceiling-Fan/dp/
B075CWKQWB](https://www.amazon.com/Miseno-MFAN-6701-Indoor-Ceiling-Fan/dp/B075CWKQWB).

Minka-Aire Wing Ceiling Fan Model F823-DK. amazon.com 5 pgs
Date First Available Sep. 20, 2016. [Retrieved Jan. 12, 2018.]
[https://www.amazon.com/Minka-Aire-F823-DK-Wing-Distressed/
dp/B009AD8LWW](https://www.amazon.com/Minka-Aire-F823-DK-Wing-Distressed/dp/B009AD8LWW).

* cited by examiner

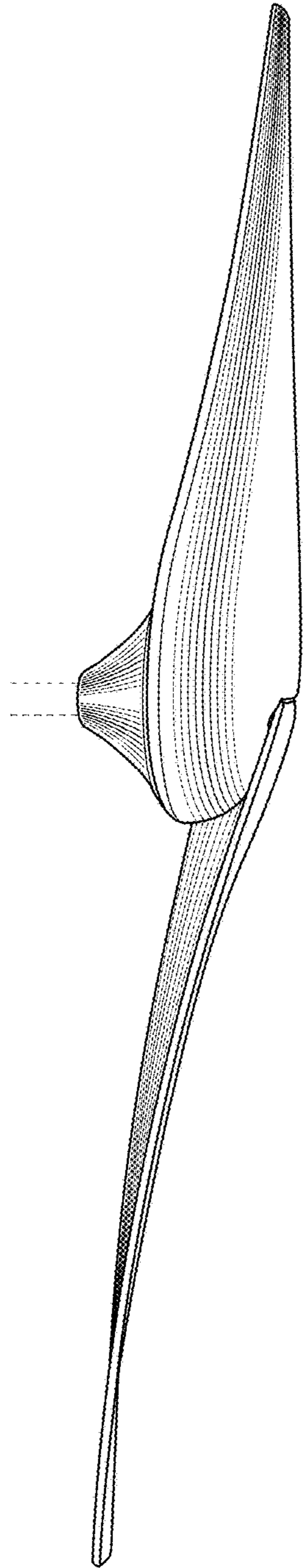


Fig. 1

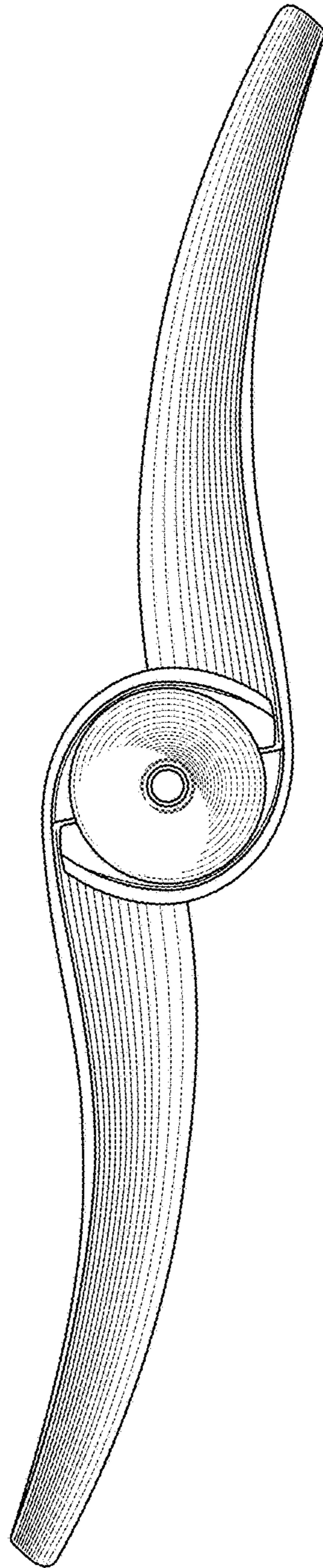


Fig.2

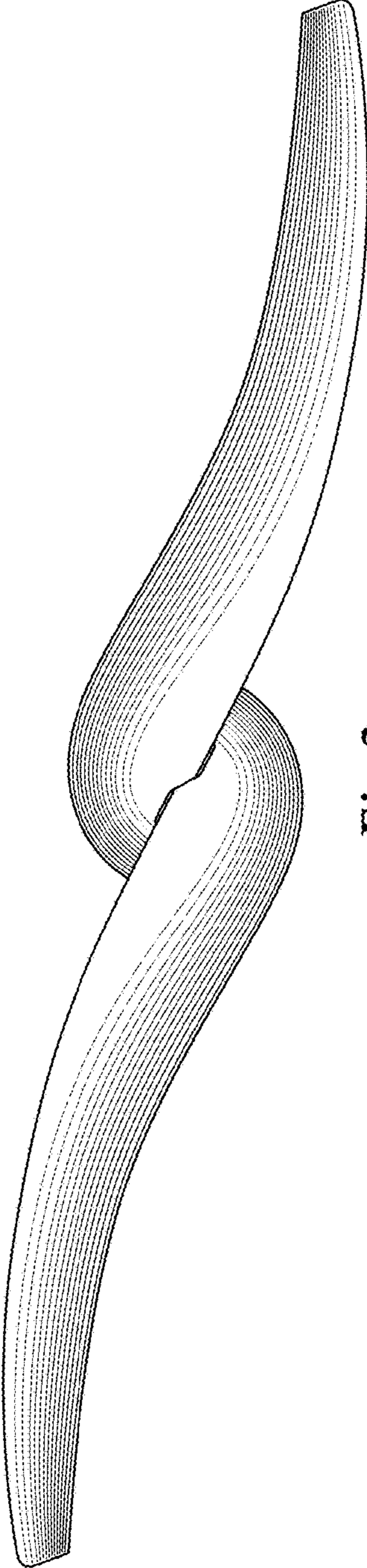


Fig.3

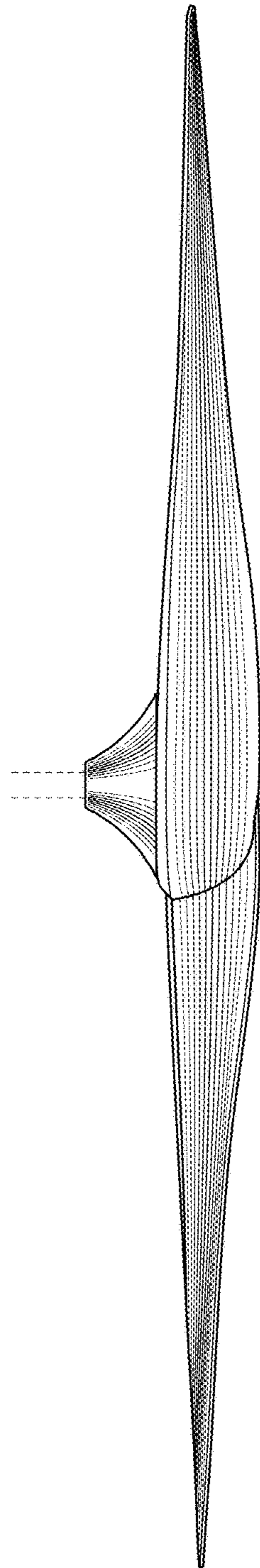


Fig. 4

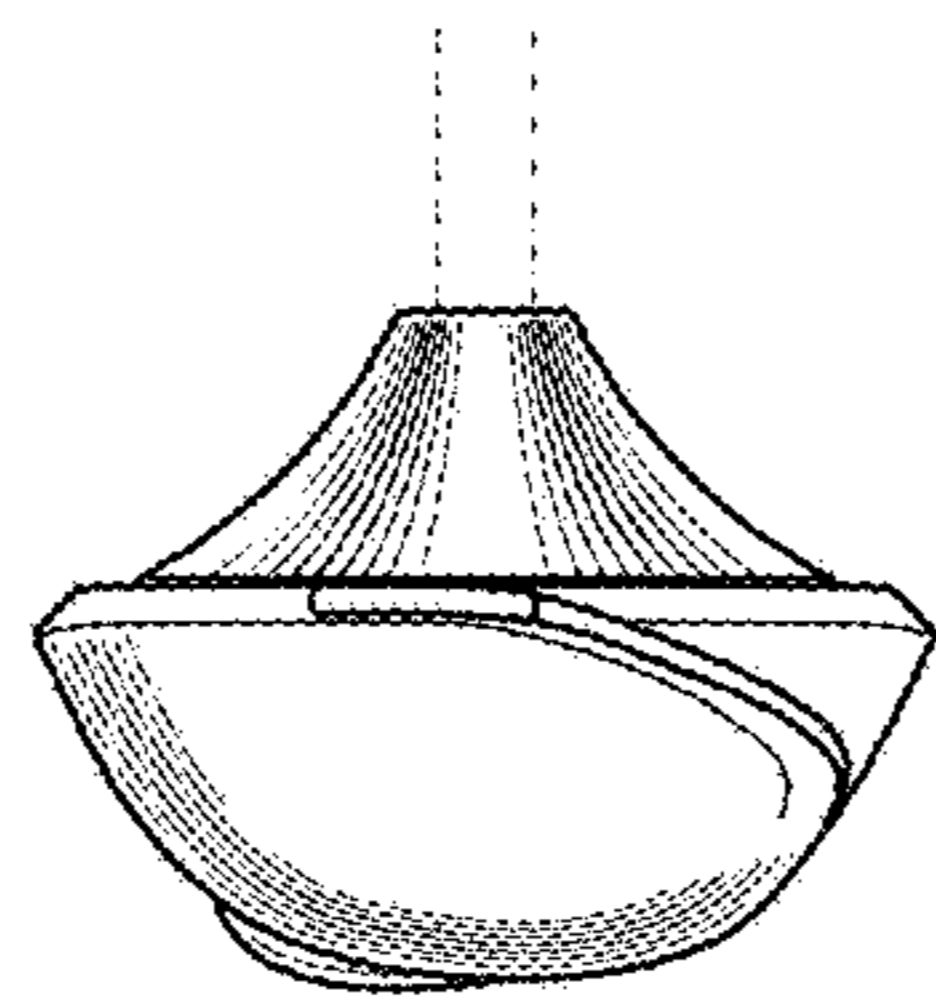


Fig.5