



US00D849223S

(12) **United States Design Patent** (10) **Patent No.:** **US D849,223 S**
Brandenburg (45) **Date of Patent:** **** May 21, 2019**

(54) **AIR FRESHENER CONE**

(74) *Attorney, Agent, or Firm* — Rogowski Law LLC

(71) Applicant: **Brandywine Product Group International, Inc.**, Wilmington, DE (US)

(57) **CLAIM**

The ornamental design for an air freshener cone, as shown and described.

(72) Inventor: **Kyle Brandenburg**, Middletown, DE (US)

DESCRIPTION

(73) Assignee: **Brandywine Product Group International, Inc.**, Wilmington, DE (US)

FIG. 1 is a right front perspective view of an air freshener cone in a closed configuration;

(**) Term: **15 Years**

FIG. 2 is a left bottom perspective view of the air freshener cone of FIG. 1;

(21) Appl. No.: **29/659,026**

FIG. 3 is a top plan view of the air freshener cone of FIG. 1;

(22) Filed: **Aug. 6, 2018**

FIG. 4 is a bottom plan view of the air freshener cone of FIG. 1;

Related U.S. Application Data

(63) Continuation of application No. 29/583,074, filed on Nov. 2, 2016, now Pat. No. Des. 828,530.

FIG. 5 is a front elevational view of the air freshener cone of FIG. 1;

(51) **LOC (11) Cl.** **28-99**

FIG. 6 is a rear elevational view of the air freshener cone of FIG. 1;

(52) **U.S. Cl.**

USPC **D23/366**

FIG. 7 is a right side elevational view of the air freshener cone of FIG. 1;

(58) **Field of Classification Search**

USPC D23/314, 325, 333–336, 355–367, D23/386–388; D9/434, 439, 444, 445, D9/447, 452–454; D14/209, 215, 216

FIG. 8 is a left side elevational view of the air freshener cone of FIG. 1;

(Continued)

FIG. 9 is a right front perspective view of the air freshener cone of FIG. 1 in an open configuration;

(56) **References Cited**

U.S. PATENT DOCUMENTS

D430,658 S * 9/2000 Farce D23/366
D548,317 S 8/2007 Newton

FIG. 10 is a left bottom perspective view of the air freshener cone of FIG. 9;

(Continued)

FIG. 11 is a top plan view of the air freshener cone of FIG. 9;

Primary Examiner — Lakiya G Rogers

Assistant Examiner — John A Voytek

FIG. 12 is a bottom plan view of the air freshener cone of FIG. 9;

FIG. 13 is a front elevational view of the air freshener cone of FIG. 9;

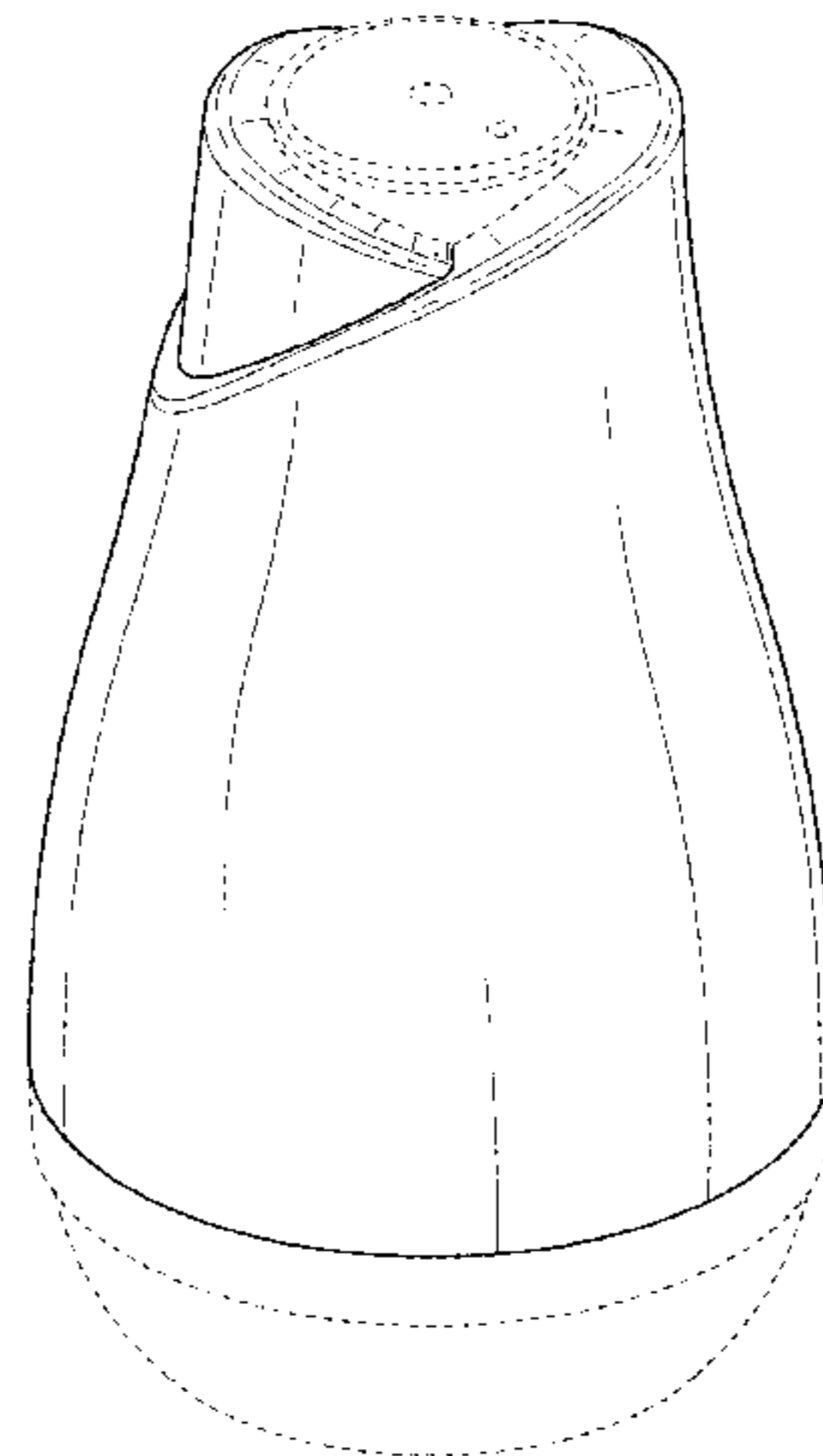
FIG. 14 is a rear elevational view of the air freshener cone of FIG. 9;

FIG. 15 is a right side elevational view of the air freshener cone of FIG. 9; and,

FIG. 16 is a left side elevational view of the air freshener cone of FIG. 9.

In the drawings, the broken lines depict environmental subject matter only and form no part of the claimed design.

1 Claim, 8 Drawing Sheets



(58) **Field of Classification Search**
 CPC . A61L 9/03; A61L 9/012; A61L 9/015; A61L
 9/037; F41J 1/01
 See application file for complete search history.

(56) **References Cited**
 U.S. PATENT DOCUMENTS

D588,687 S 3/2009 Drucker
 D595,829 S 7/2009 Drucker
 D597,192 S 7/2009 Drucker
 D608,436 S 1/2010 Drucker
 D629,880 S 12/2010 Hisey
 D632,771 S 2/2011 Abbondanzio
 D632,772 S 2/2011 Abbondanzio
 D632,773 S 2/2011 Abbondanzio
 D633,190 S 2/2011 Abbondanzio
 D637,274 S 5/2011 Chan
 D646,768 S 10/2011 Chan

D647,187 S 10/2011 Chan
 D675,308 S 1/2013 Freeborn
 D675,309 S 1/2013 Freeborn
 D680,637 S * 4/2013 Blachford D23/366
 D681,183 S * 4/2013 Blachford D23/366
 D689,998 S 9/2013 Carbone
 D692,116 S * 10/2013 Gordon D23/366
 D713,517 S 9/2014 Dodge
 D713,518 S * 9/2014 Carbone D23/366
 D715,910 S 10/2014 Lin
 D768,834 S * 10/2016 Schuller D23/366
 D781,708 S * 3/2017 Jasso Gomez D9/451
 D803,372 S * 11/2017 Gobber D23/366
 D805,905 S * 12/2017 Sterling D9/521
 D814,619 S * 4/2018 Harrison D23/364
 D828,530 S * 9/2018 Brandenburg D23/366
 D835,773 S * 12/2018 Yu D23/366
 2008/0279731 A1 * 11/2008 Goreham A61L 9/037
 422/125

* cited by examiner

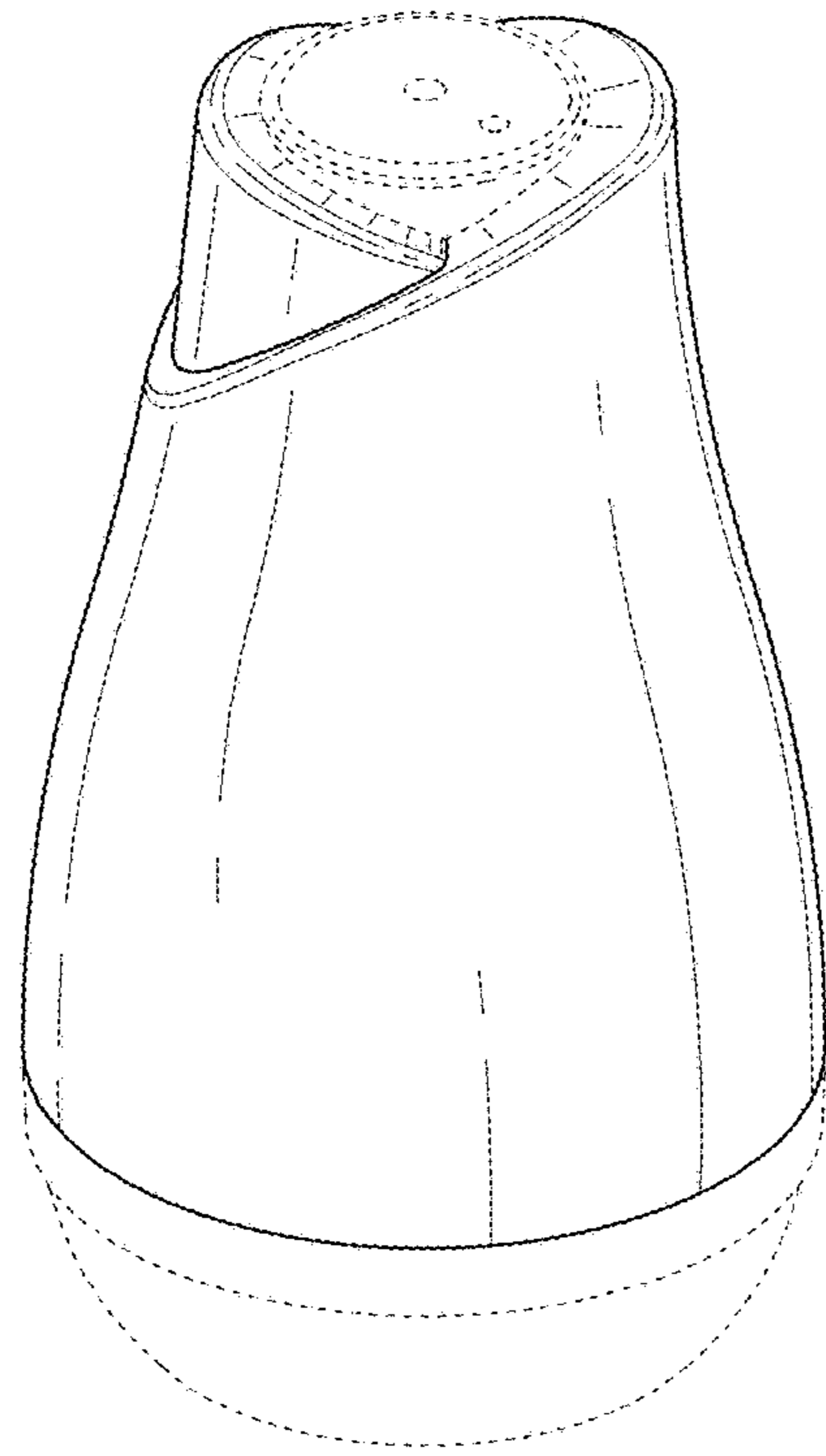


FIG. 1

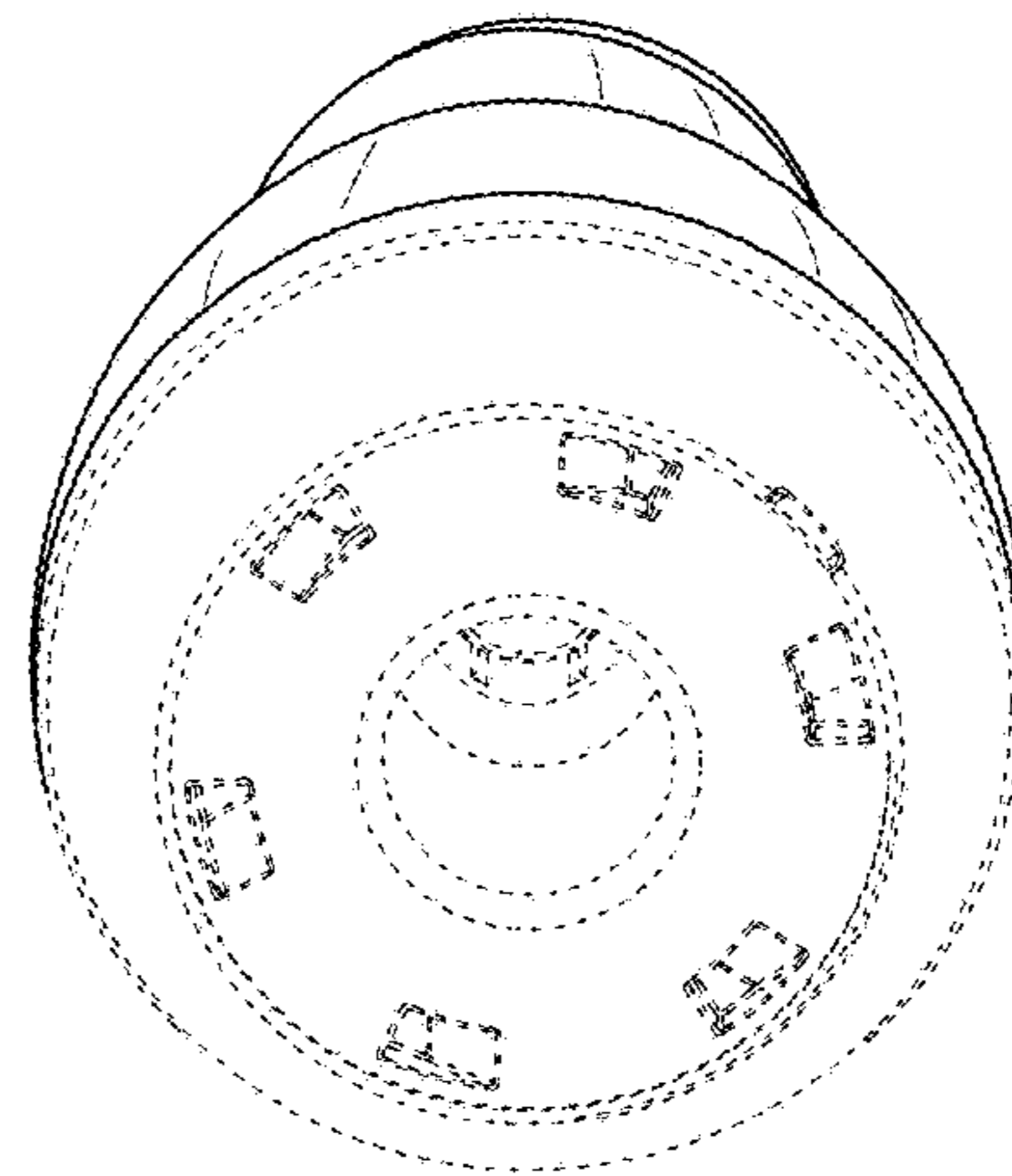


FIG. 2

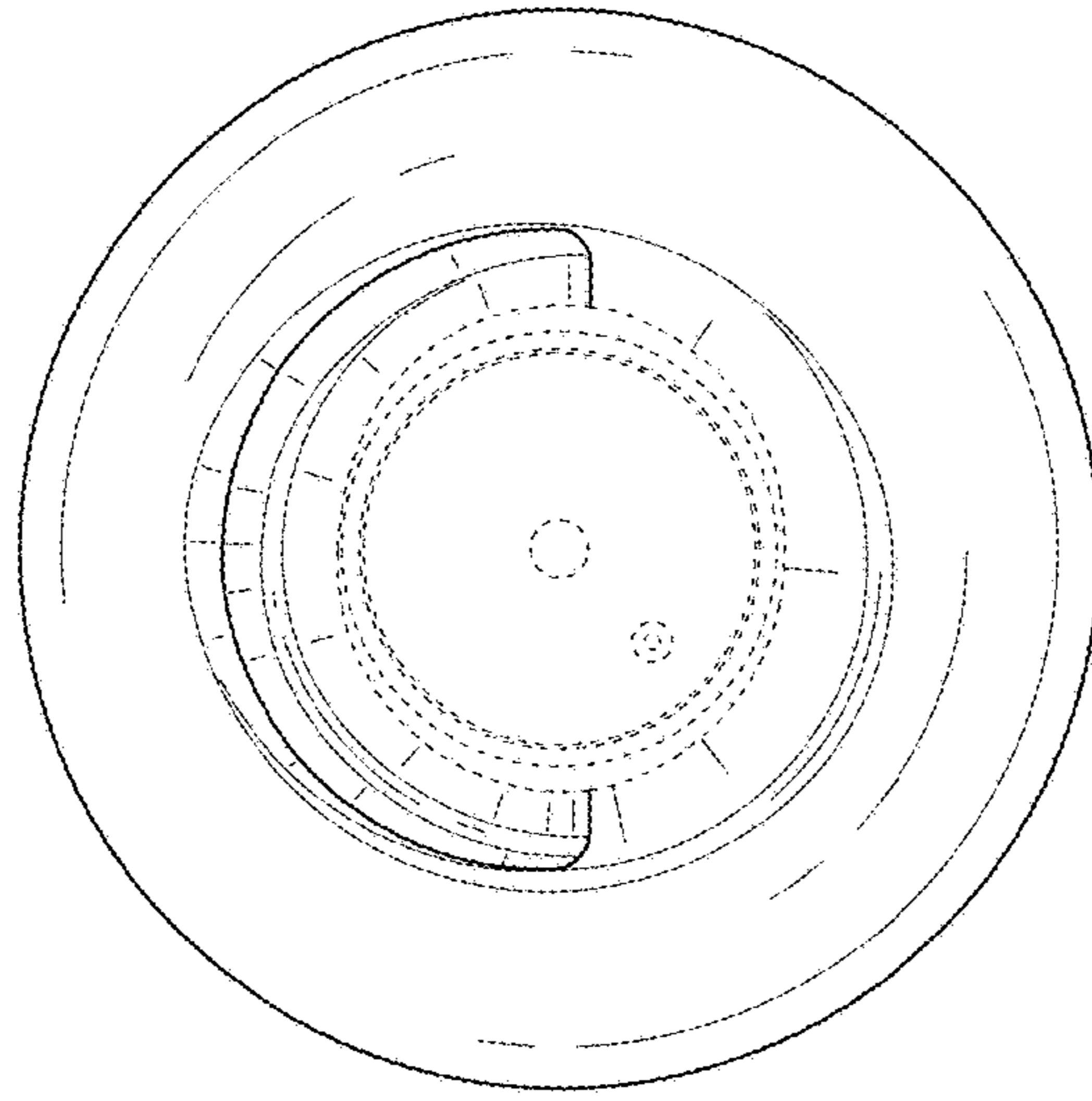


FIG. 3

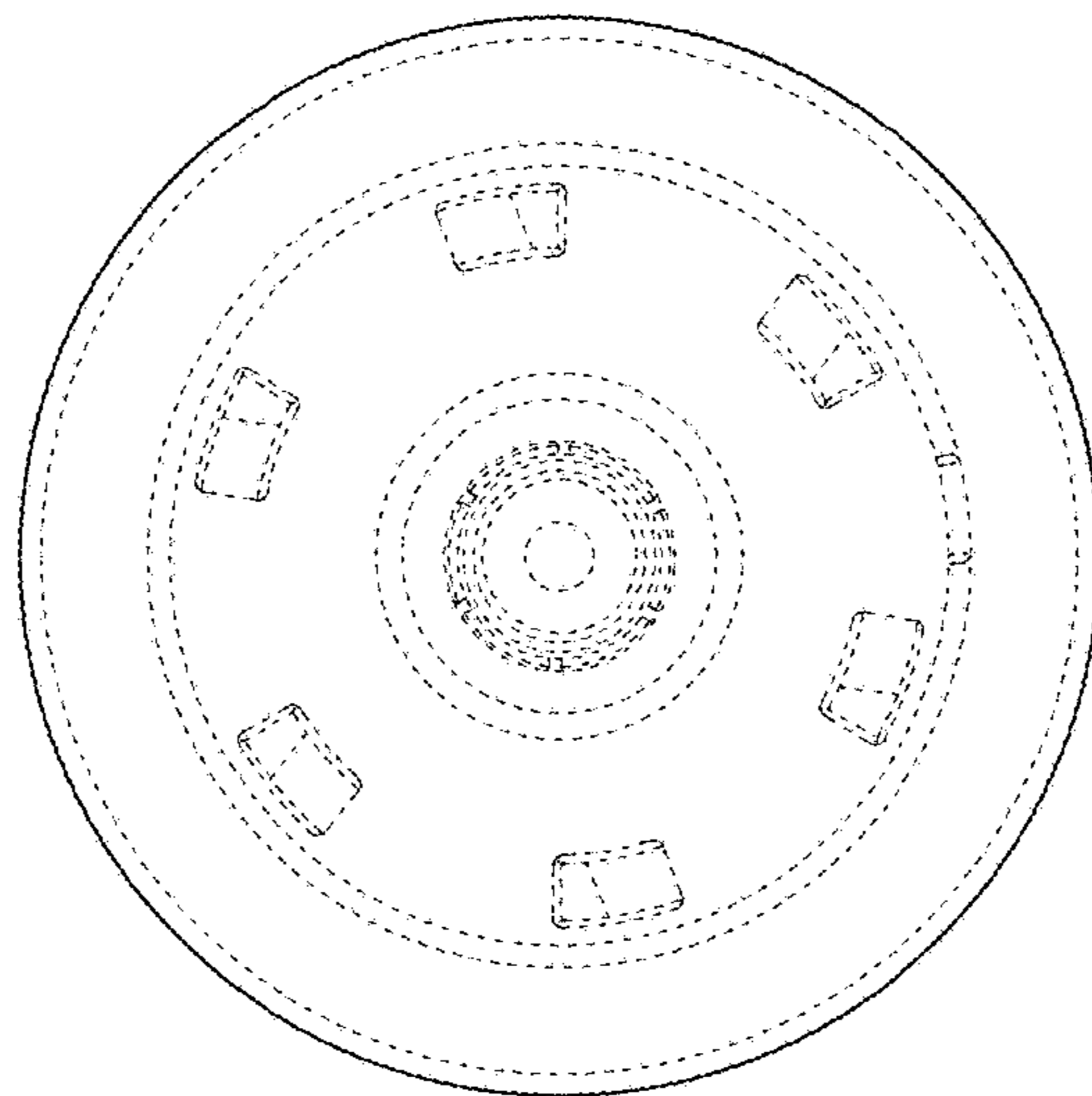


FIG. 4

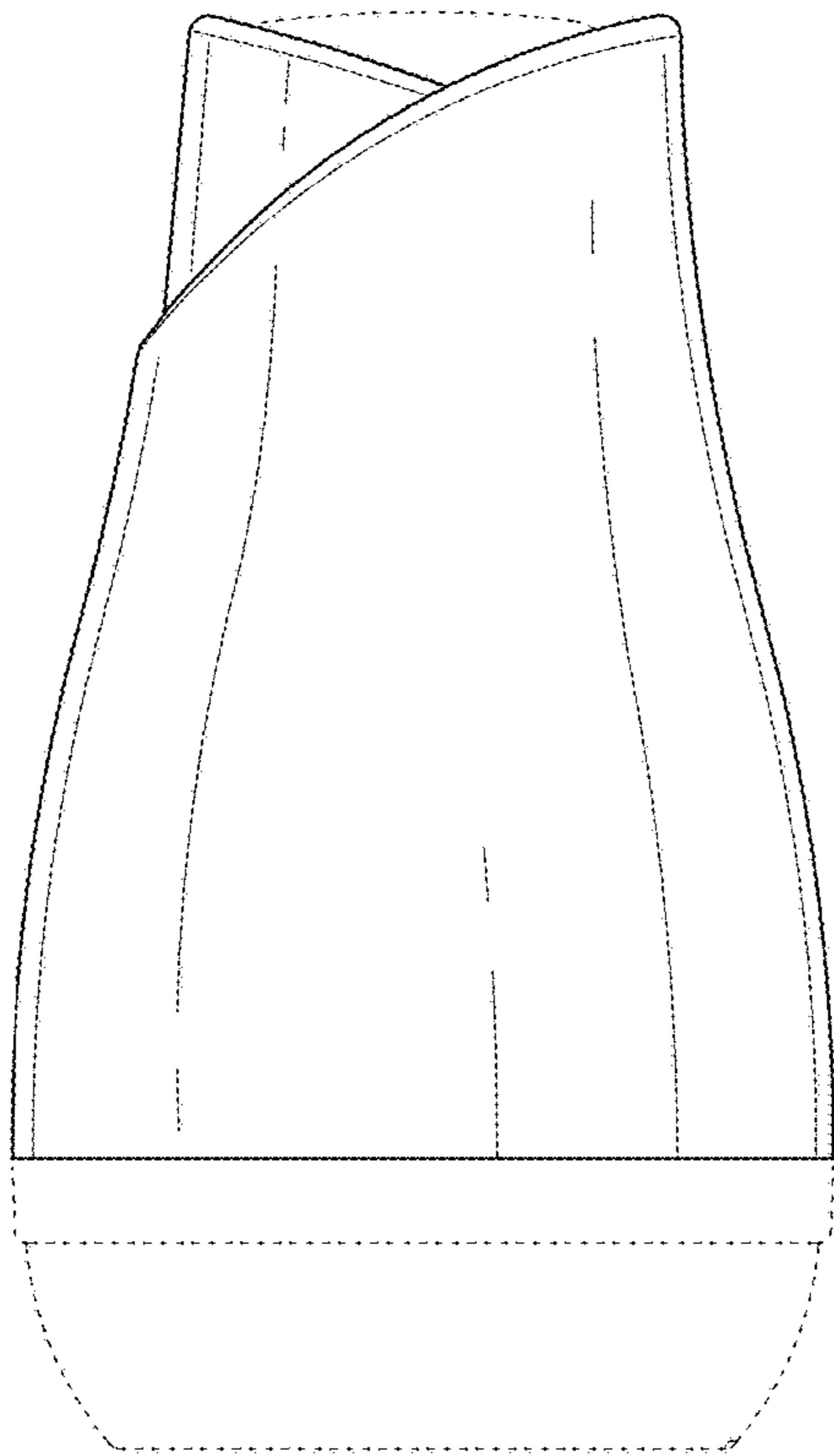


FIG. 5

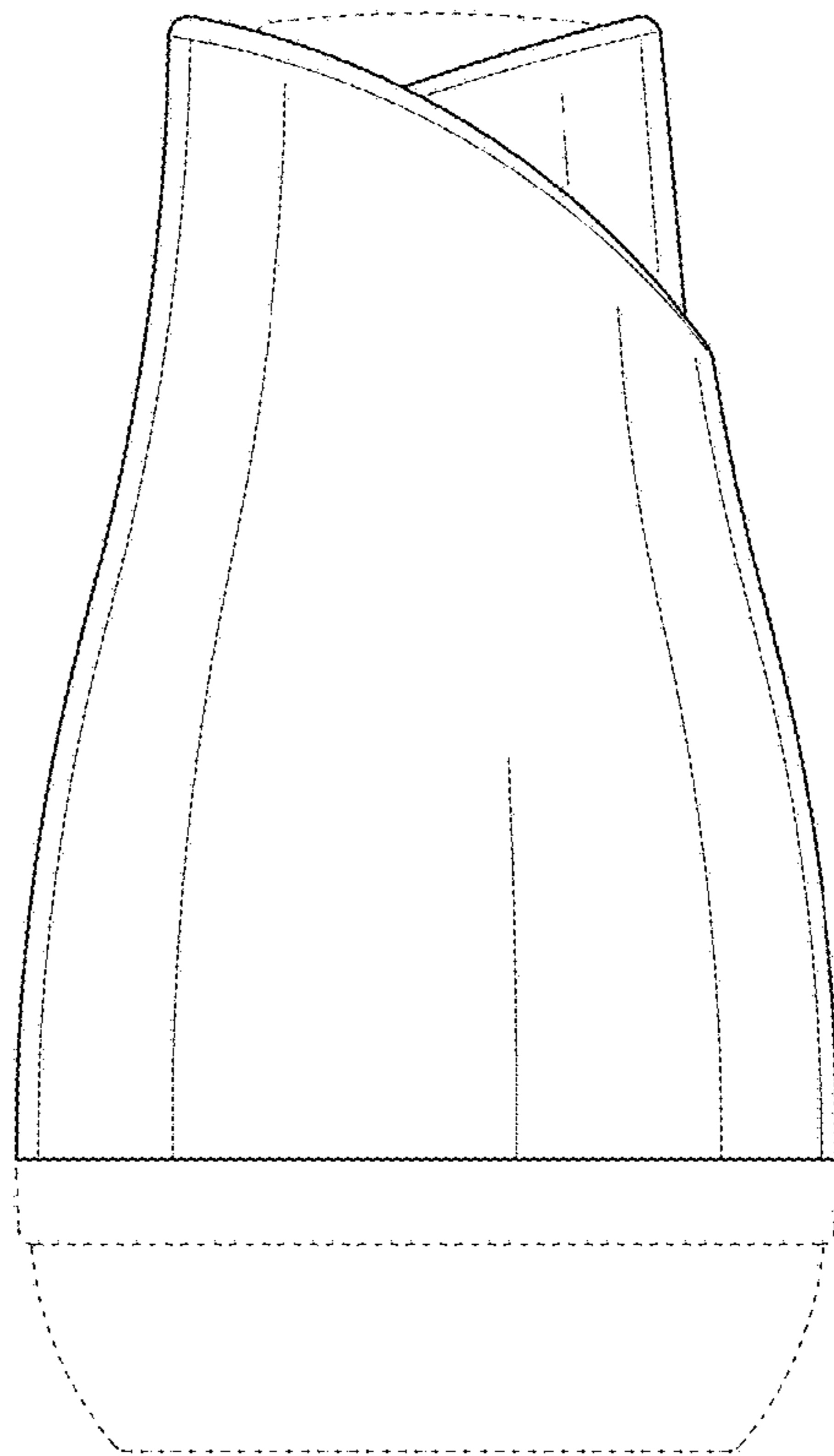


FIG. 6

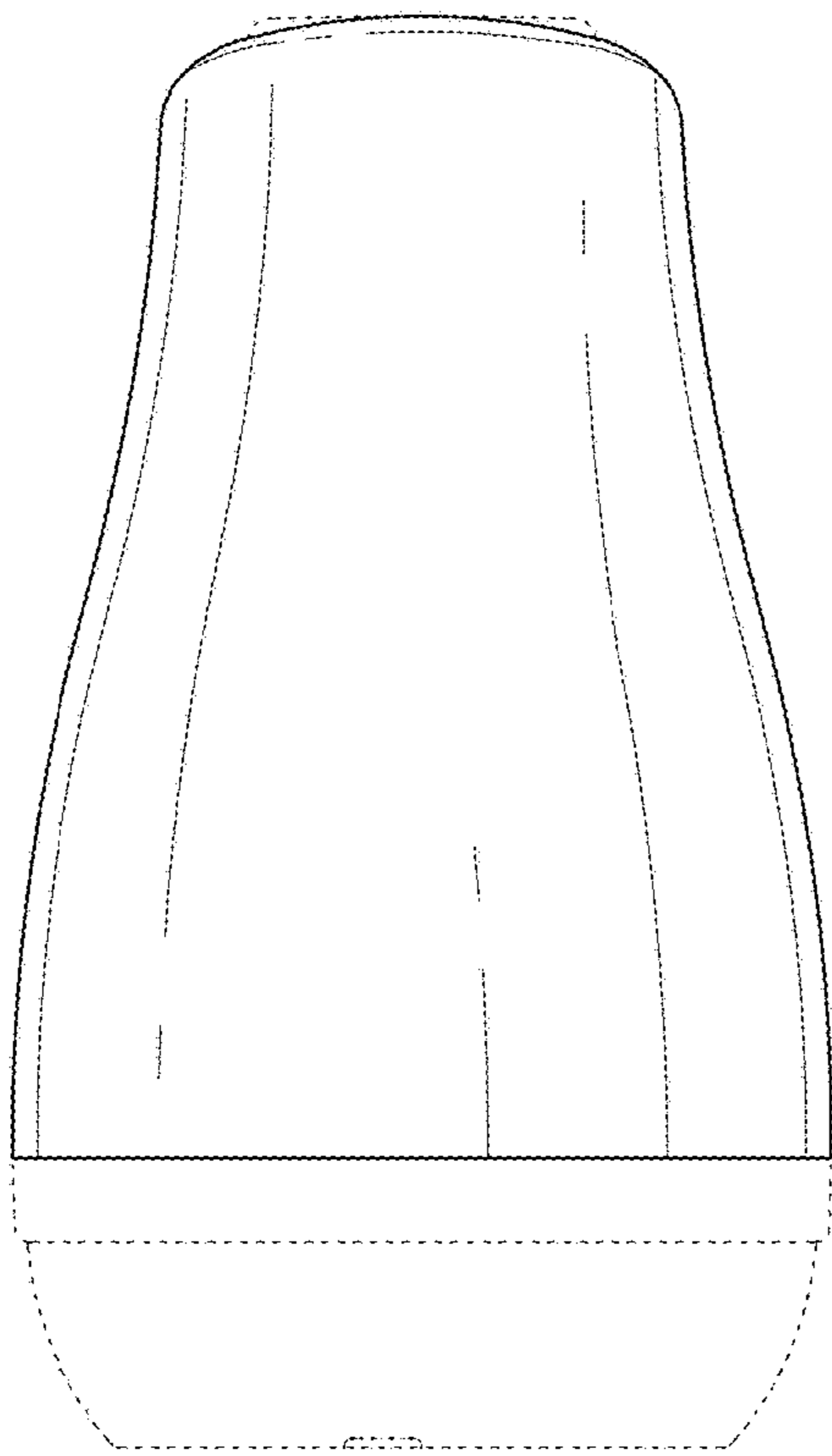


FIG. 7

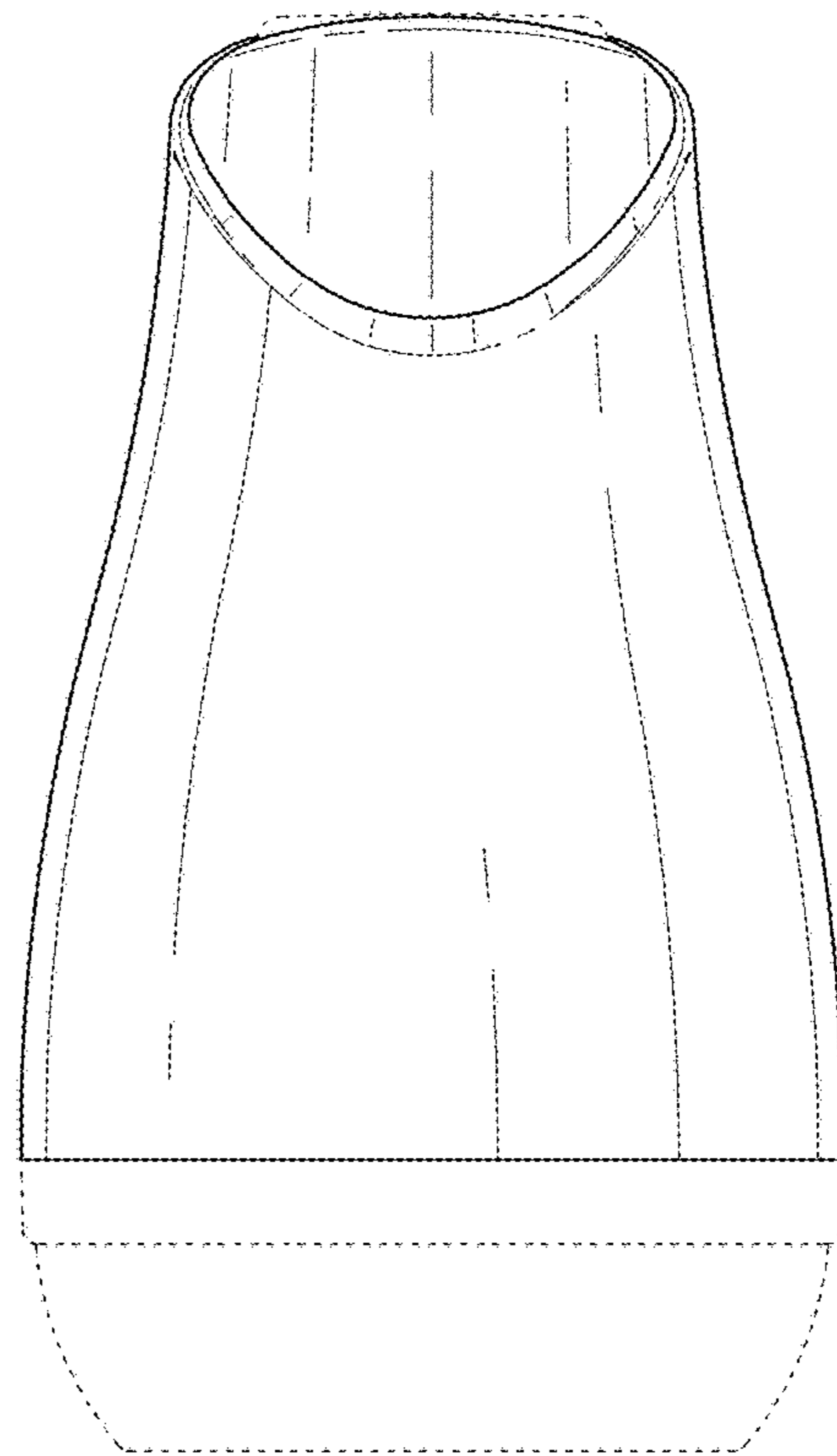


FIG. 8

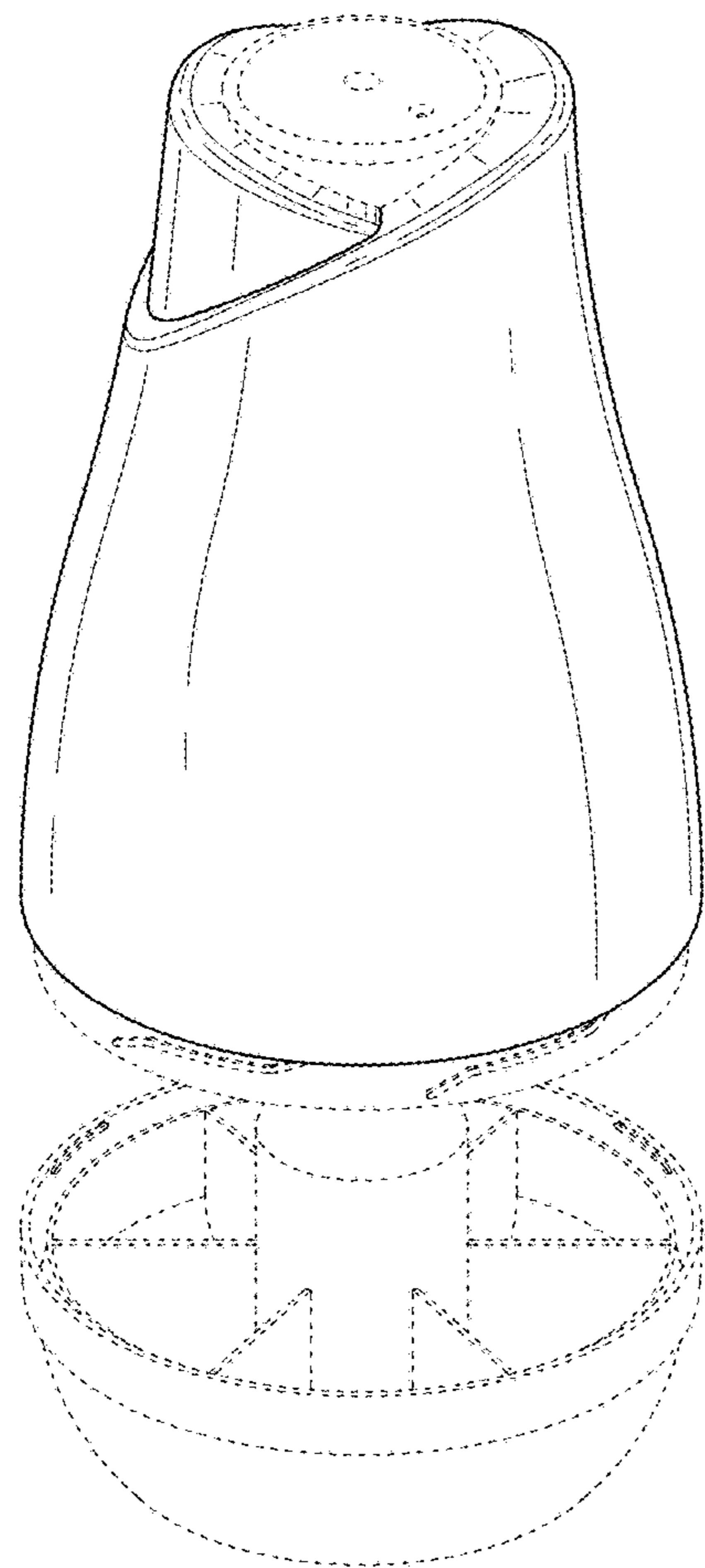


FIG. 9

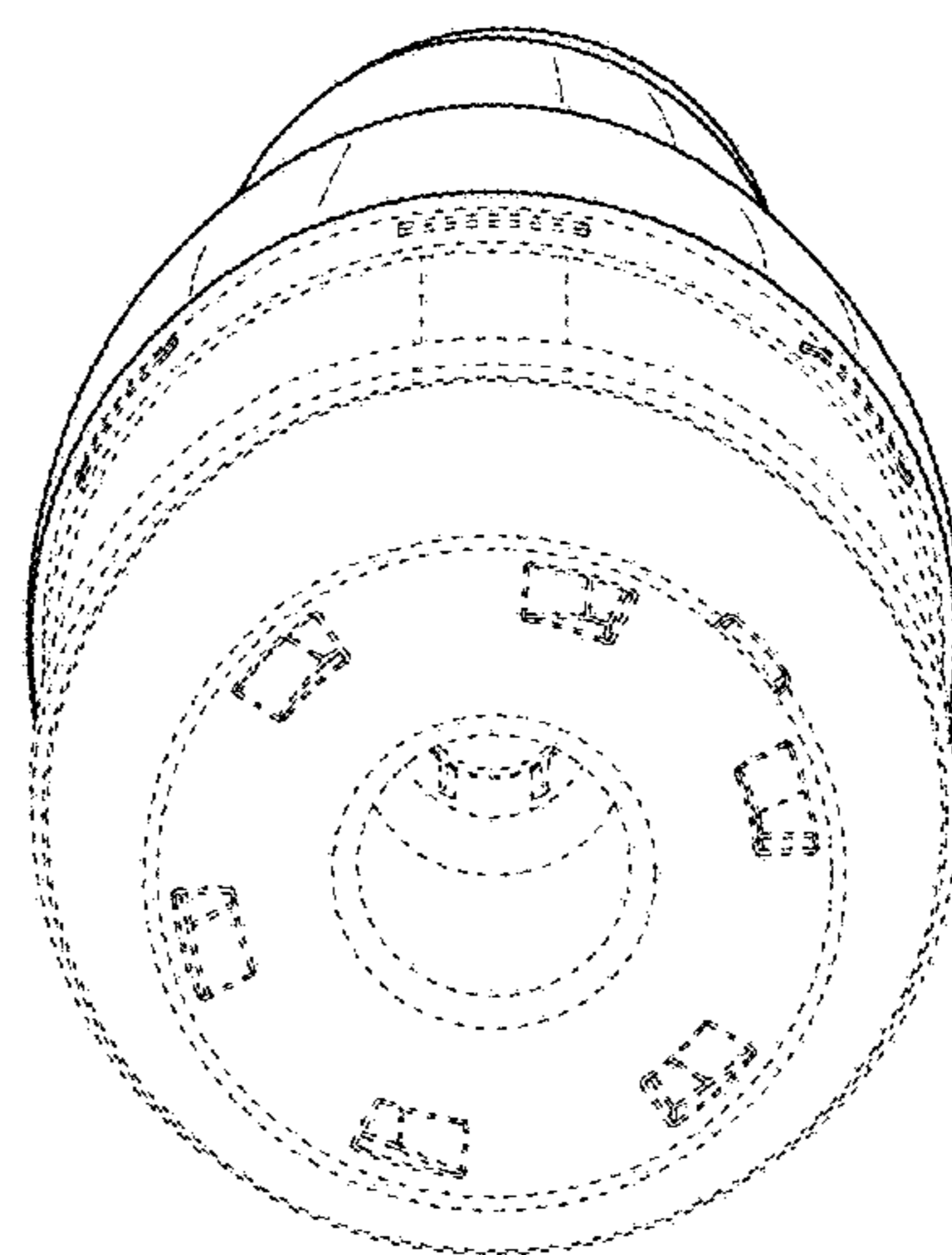


FIG. 10

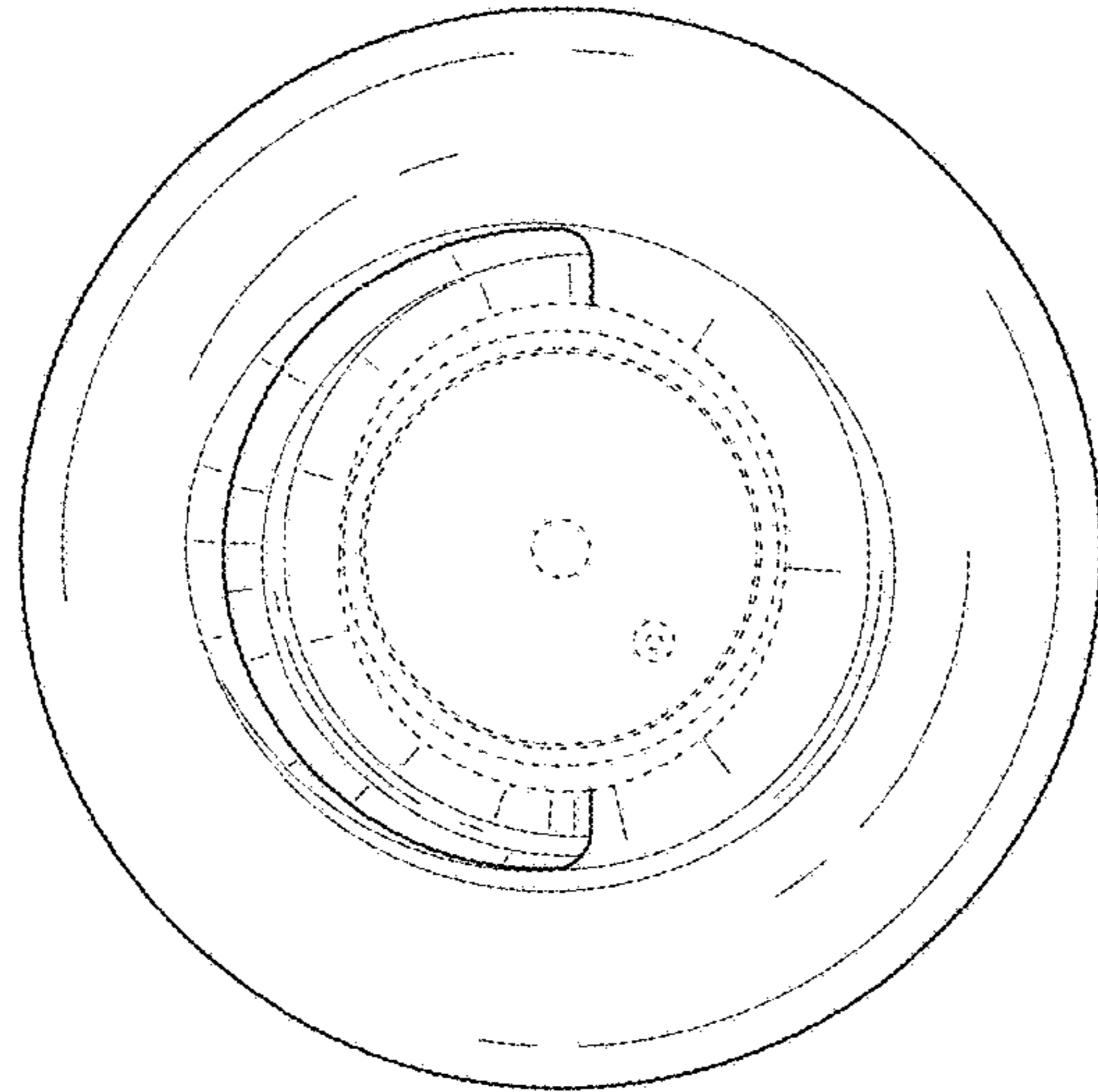


FIG. 11

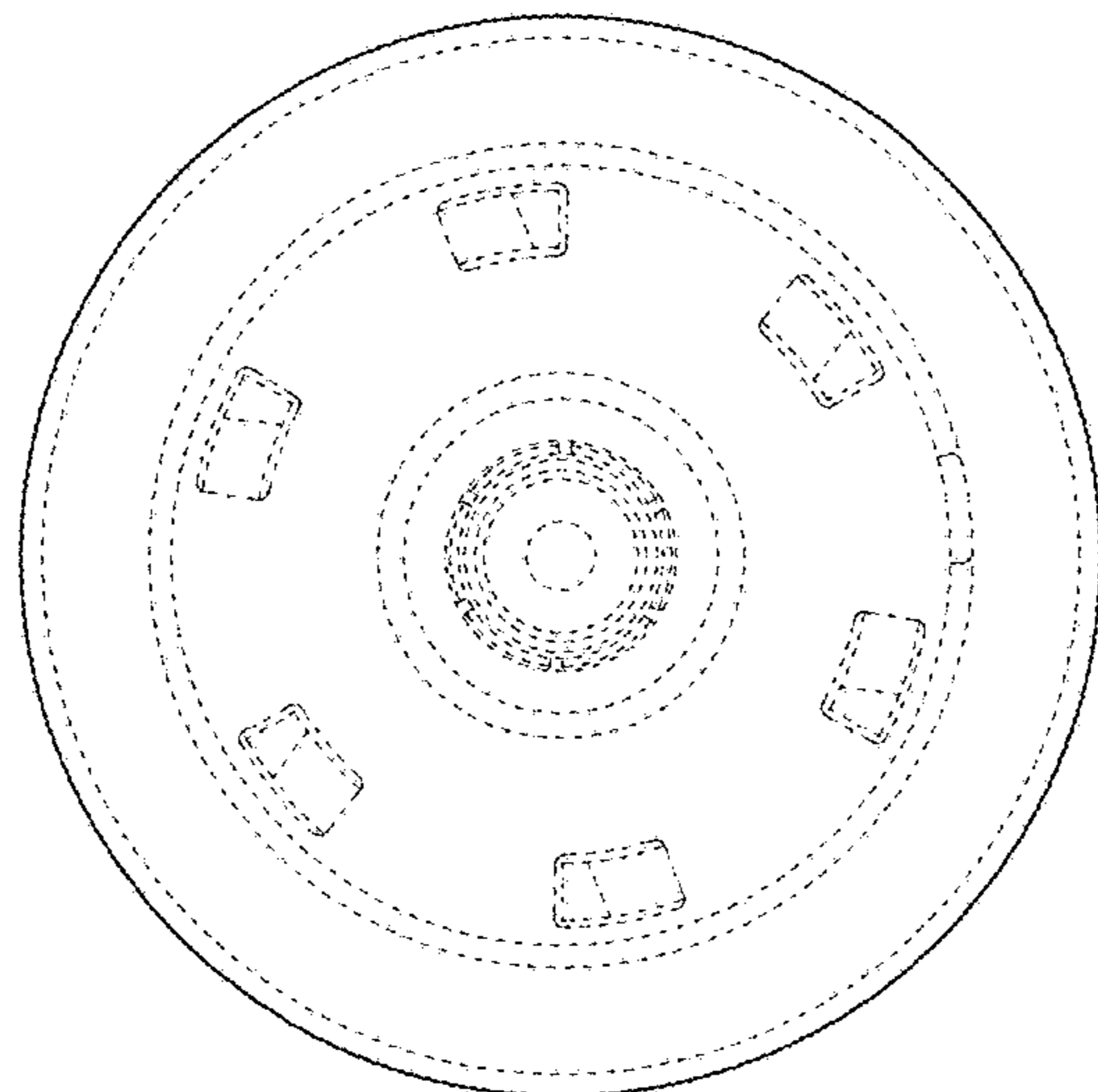


FIG. 12

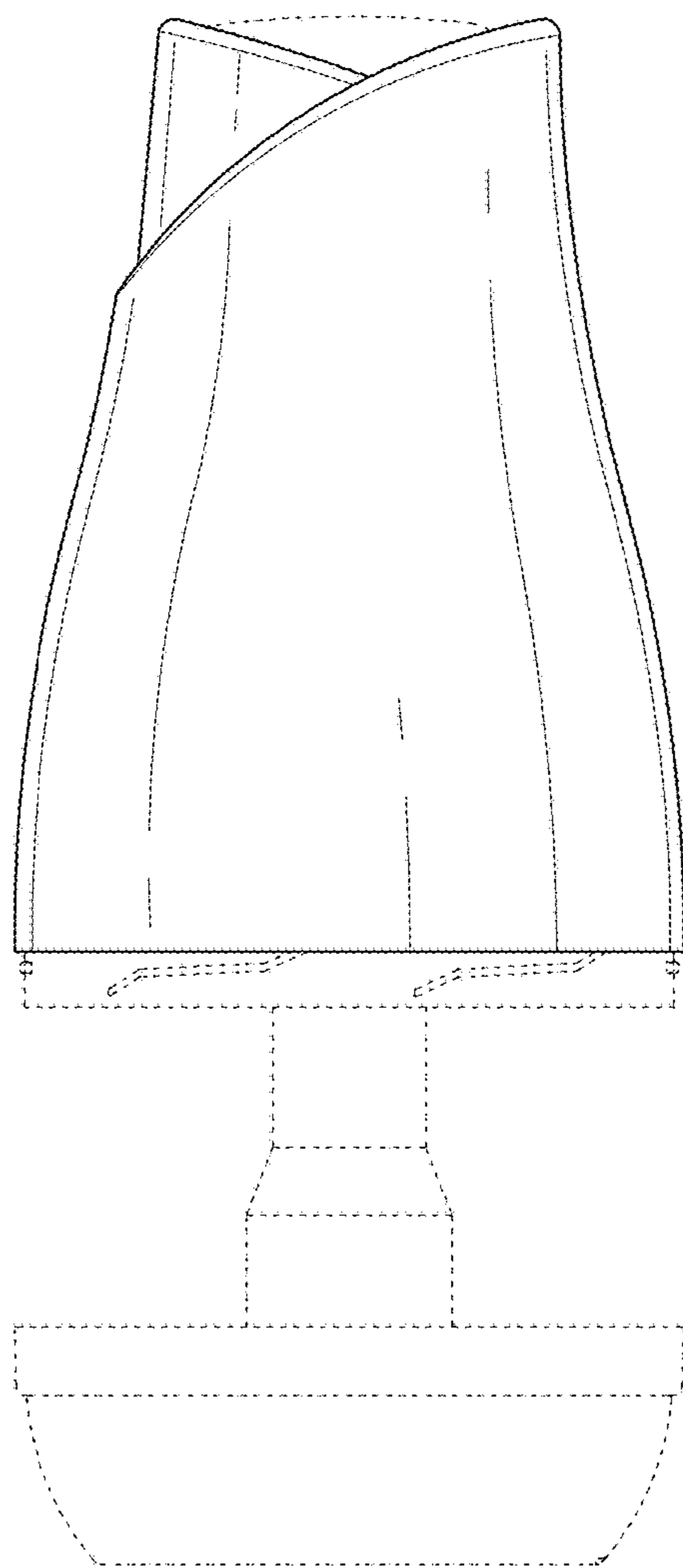


FIG. 13

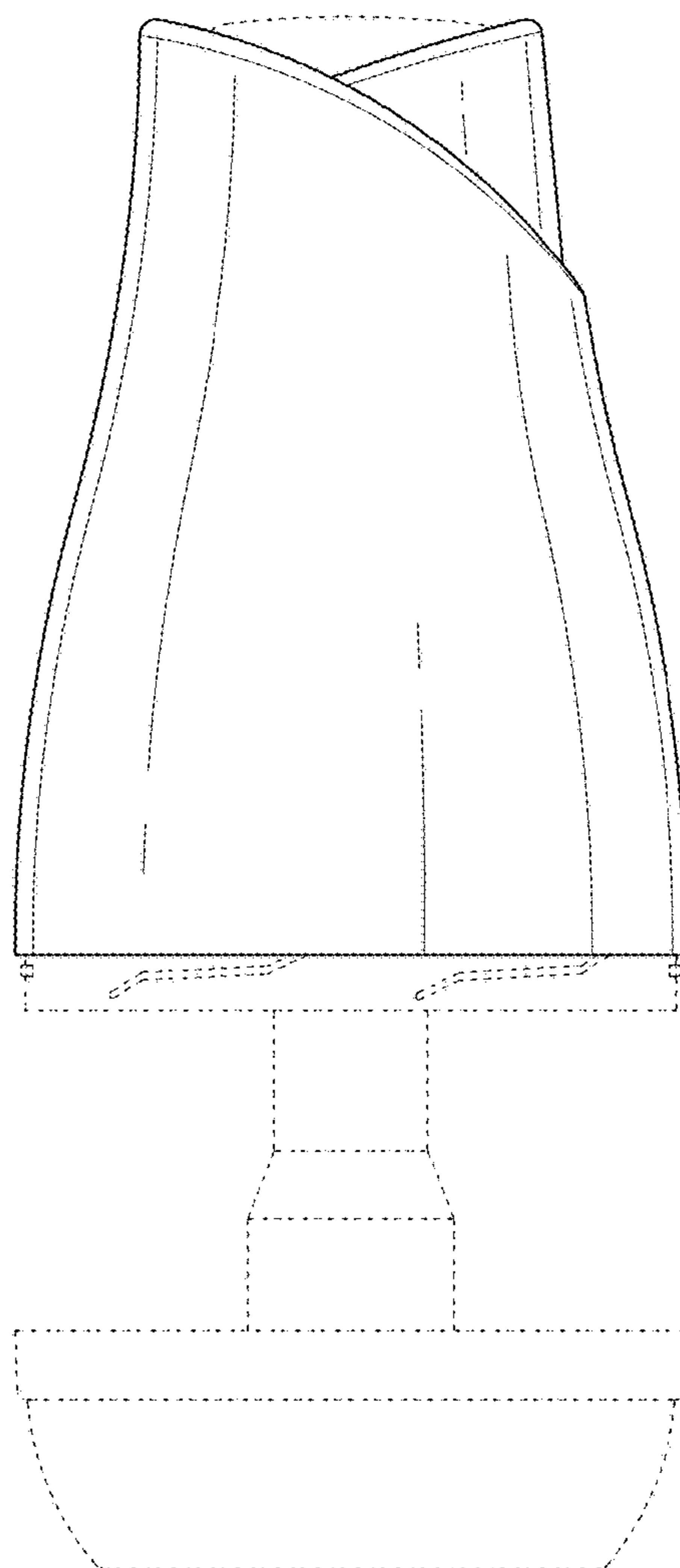


FIG. 14

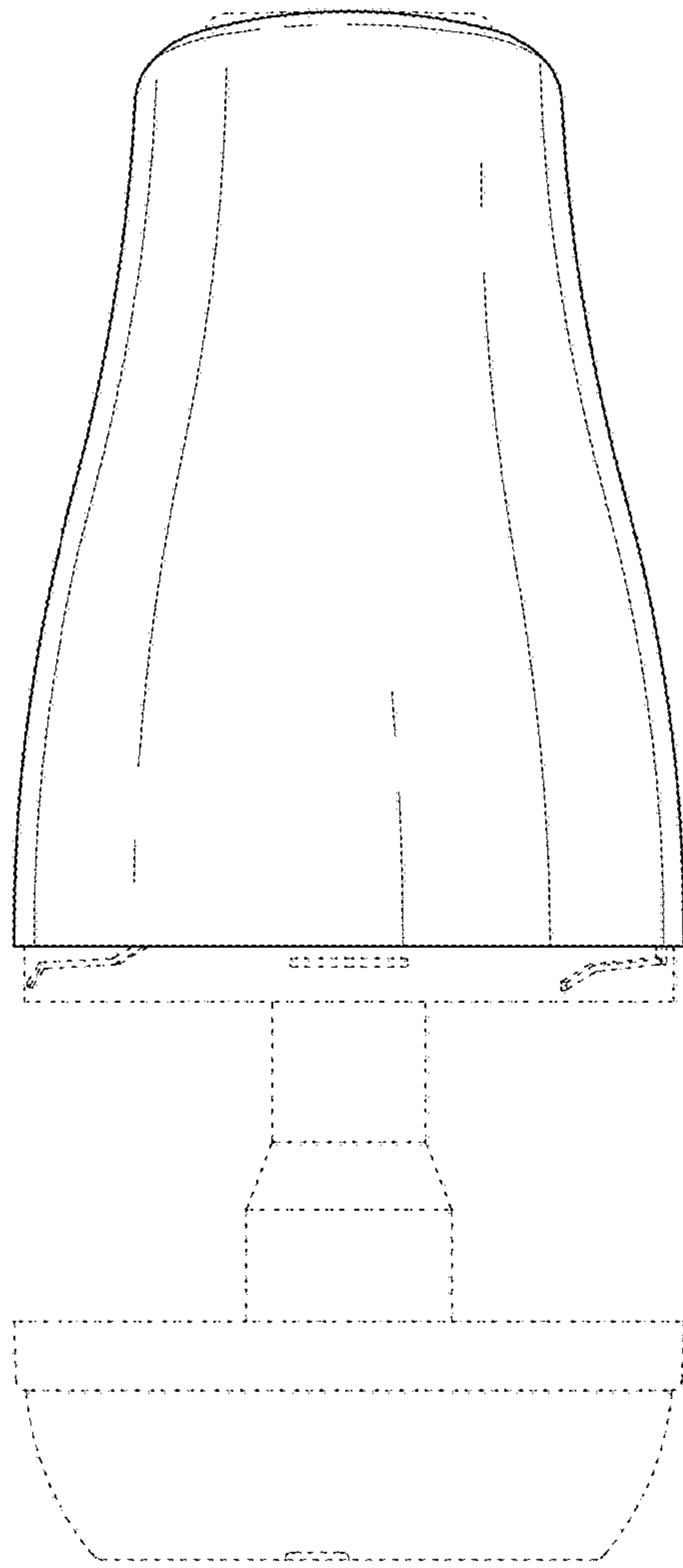


FIG. 15

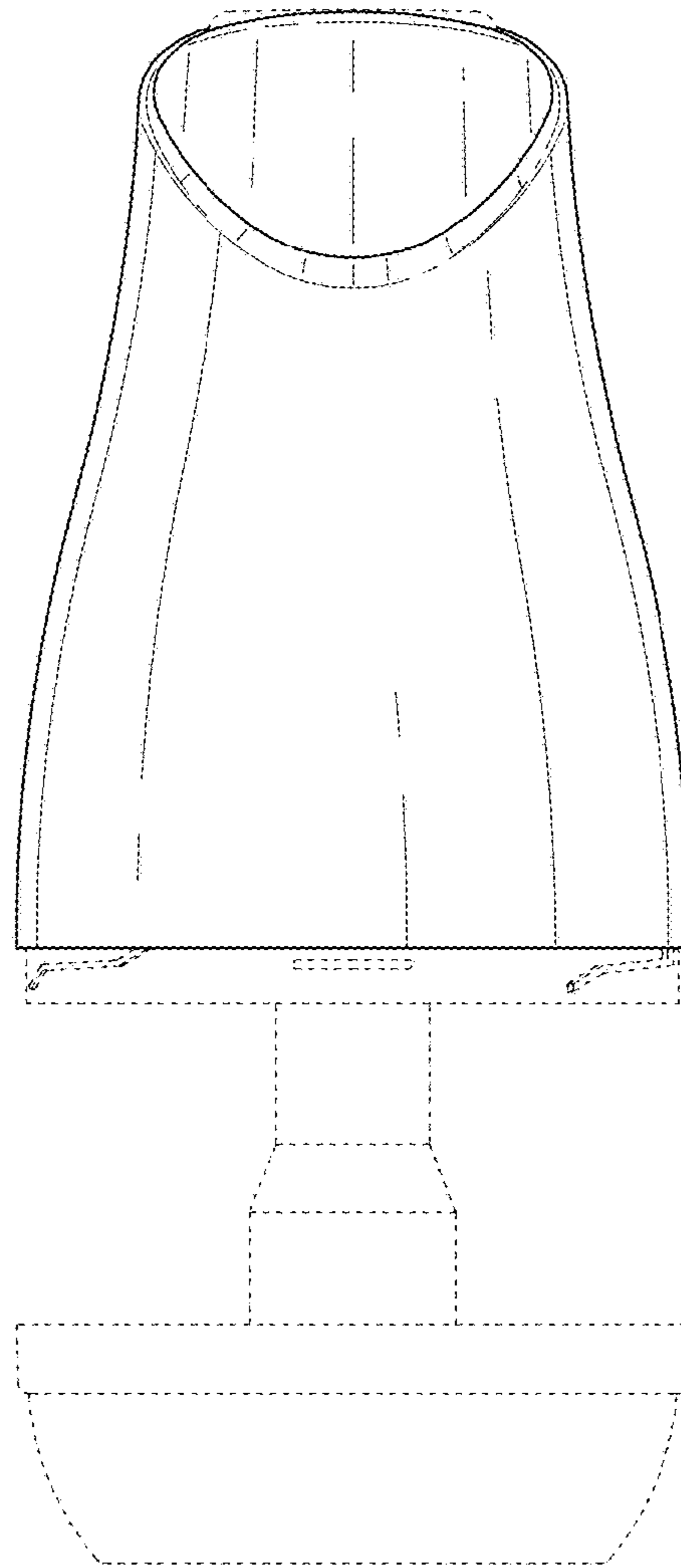


FIG. 16