



US00D849221S

(12) **United States Design Patent** (10) **Patent No.:** **US D849,221 S**
Brandenburg (45) **Date of Patent:** **** May 21, 2019**

- (54) **AIR FRESHENER VENT CLIP**
- (71) Applicant: **Brandywine Product Group International, Inc.**, Wilmington, DE (US)
- (72) Inventor: **Kyle Brandenburg**, Middletown, DE (US)
- (73) Assignee: **Brandywine Product Group International, Inc.**, Wilmington, DE (US)
- (**) Term: **15 Years**

- D532,893 S 11/2006 Wu
- D544,592 S 6/2007 Caserta
- D544,594 S 6/2007 Zobebe
- D552,343 S 10/2007 Brandenburg
- 7,400,822 B2 7/2008 Ballesteros
- D586,900 S 2/2009 Weggelaar
- D608,435 S 1/2010 Zobebe
- D611,584 S 3/2010 Gruenbacher
- D613,388 S 4/2010 Koenig
- D618,329 S 6/2010 Koenig
- D621,021 S 8/2010 Koenig

(Continued)

Primary Examiner — Lakiya G Rogers
Assistant Examiner — John A Voytek
(74) *Attorney, Agent, or Firm* — Rogowski Law LLC

- (21) Appl. No.: **29/653,638**
- (22) Filed: **Jun. 18, 2018**

Related U.S. Application Data

- (62) Division of application No. 29/588,653, filed on Dec. 22, 2016, now Pat. No. Des. 826,390.
- (51) **LOC (11) Cl.** **28-99**
- (52) **U.S. Cl.**
USPC **D23/366**
- (58) **Field of Classification Search**
USPC D23/314, 325, 333–336, 355–367,
D23/386–388; D9/434, 439, 444, 445,
D9/447, 452–454; D14/209, 215, 216
CPC . A61L 9/03; A61L 9/012; A61L 9/015; A61L
9/037; F41J 1/01
See application file for complete search history.

(56) **References Cited**

U.S. PATENT DOCUMENTS

- D481,787 S 11/2003 Millan
- D483,460 S 12/2003 Millan
- D503,973 S 4/2005 Millan
- D523,129 S 6/2006 Caserta
- 7,070,172 B2 7/2006 Fabrega

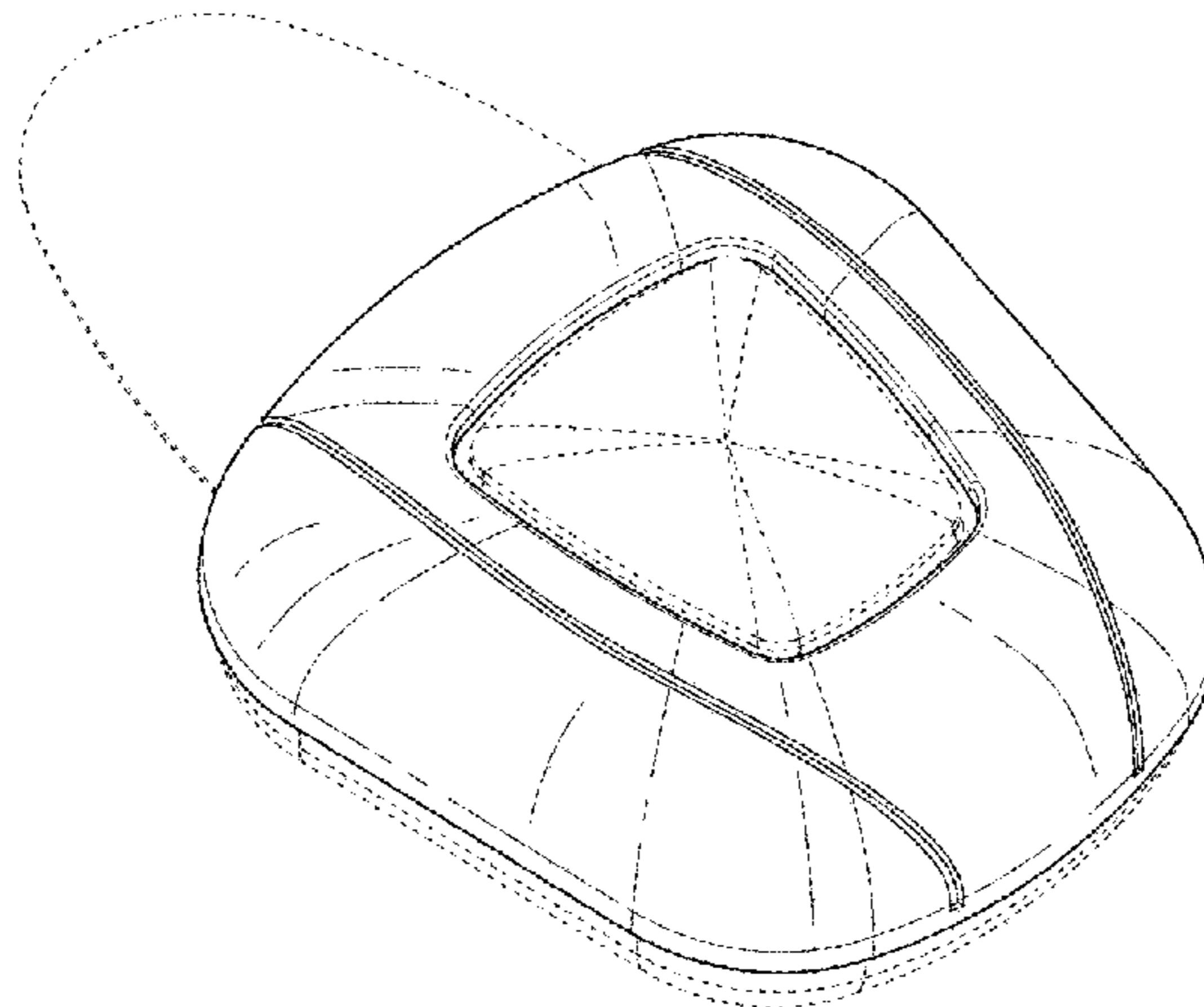
(57) **CLAIM**

The ornamental design for an air freshener vent clip, as shown and described.

DESCRIPTION

FIG. 1 is a right front perspective view of an air freshener vent clip;
 FIG. 2 is a left bottom perspective view of the air freshener vent clip of FIG. 1;
 FIG. 3 is a top plan view of the air freshener vent clip of FIG. 1;
 FIG. 4 is a bottom plan view of the air freshener vent clip of FIG. 1;
 FIG. 5 is a front elevational view of the air freshener vent clip of FIG. 1;
 FIG. 6 is a rear elevational view of the air freshener vent clip of FIG. 1;
 FIG. 7 is a right side elevational view of the air freshener vent clip of FIG. 1; and,
 FIG. 8 is a left side elevational view of the air freshener vent clip of FIG. 1.
 In the drawings, the broken lines depict environmental subject matter only and form no part of the claimed design.

1 Claim, 4 Drawing Sheets



(56)

References Cited

U.S. PATENT DOCUMENTS

D621,922	S	8/2010	Sabate	
D621,923	S	8/2010	Koenig	
D621,926	S	8/2010	Christensen	
D628,284	S	11/2010	Ko	
D629,500	S *	12/2010	Koenig	D23/368
D629,881	S	12/2010	Valentino	
D631,954	S	2/2011	Bertassi	
D633,610	S	3/2011	Wu	
D642,668	S	8/2011	Lablaine	
D647,186	S	10/2011	Chan	
D664,246	S	7/2012	Irvin	
D655,485	S	8/2012	Vetu	
D683,008	S *	5/2013	Olchovy	D23/366
8,455,454	B2	6/2013	Wang	
D692,549	S *	10/2013	Wirz	D23/366
D694,382	S *	11/2013	Brandenburg	D23/366
D696,762	S *	12/2013	Lin	D23/366
D698,018	S	1/2014	Choi	
D709,172	S *	7/2014	Brandenburg	D23/366
D729,368	S *	5/2015	Markwick	D23/366
D794,765	S *	8/2017	Brandenburg	D23/366
D816,201	S *	4/2018	Goddard	D23/366
D819,798	S *	6/2018	Hwang	D23/364
D826,390	S *	8/2018	Brandenburg	D23/366
D831,183	S *	10/2018	Mecker	D23/366

* cited by examiner

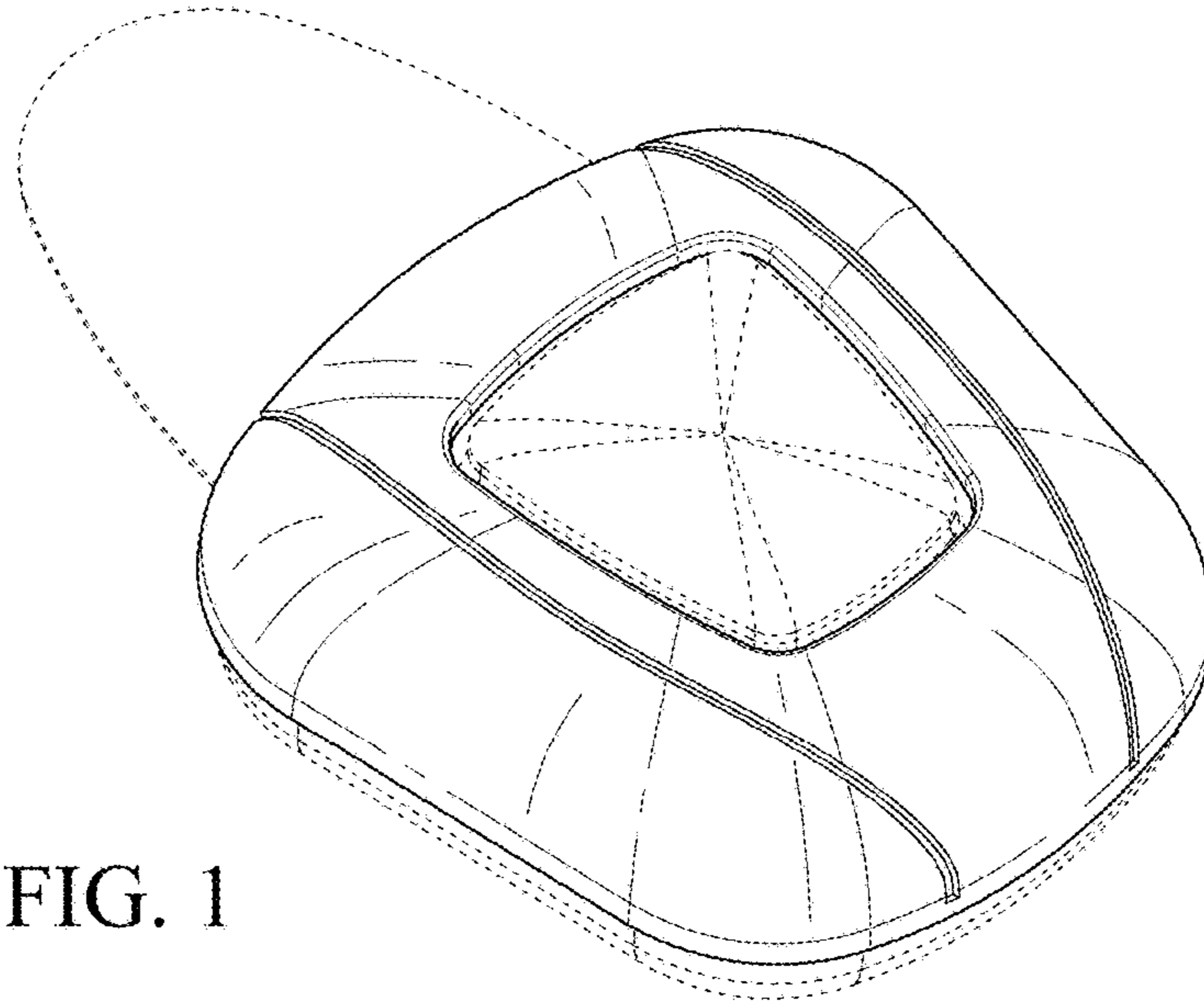


FIG. 1

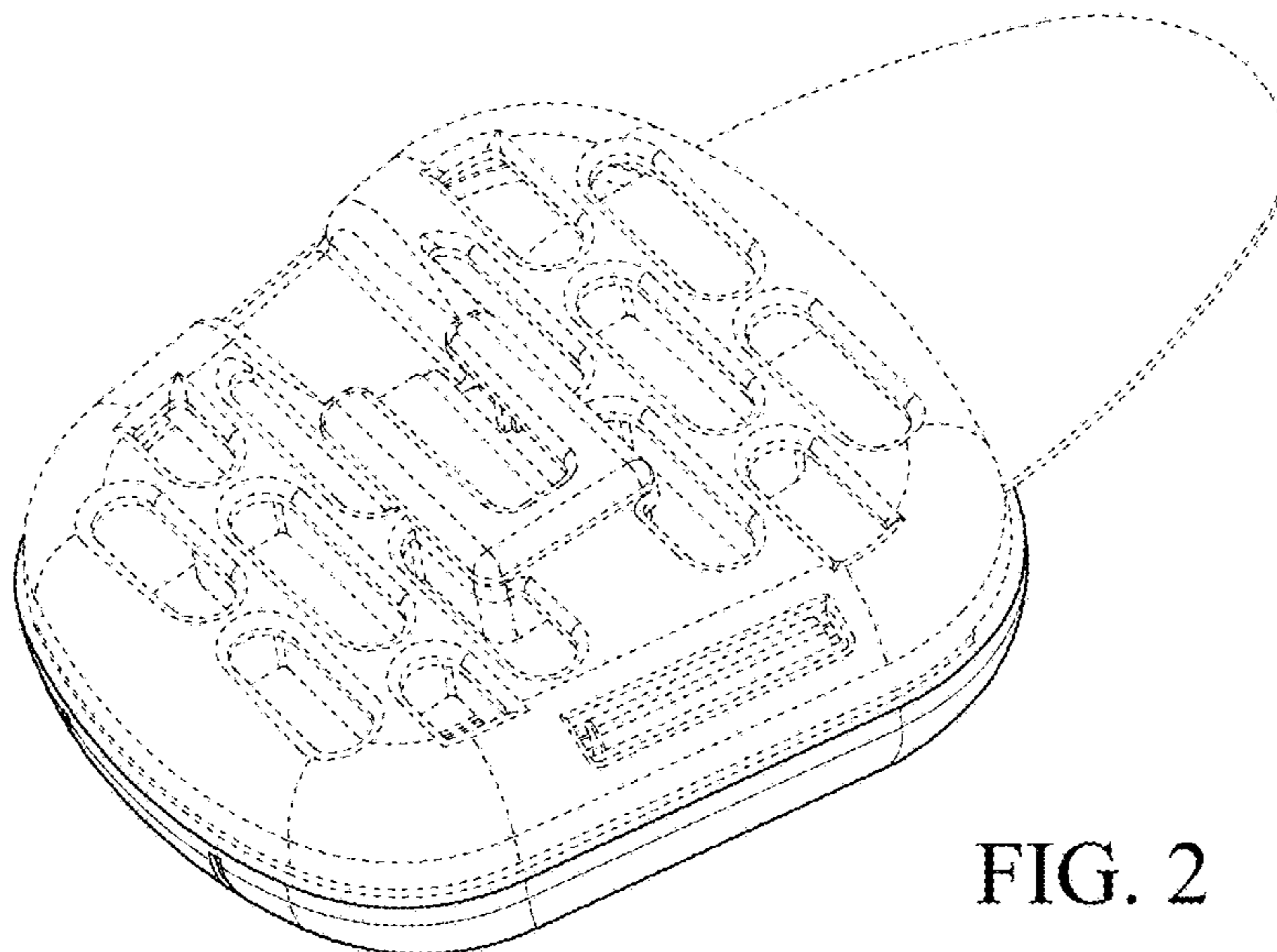


FIG. 2

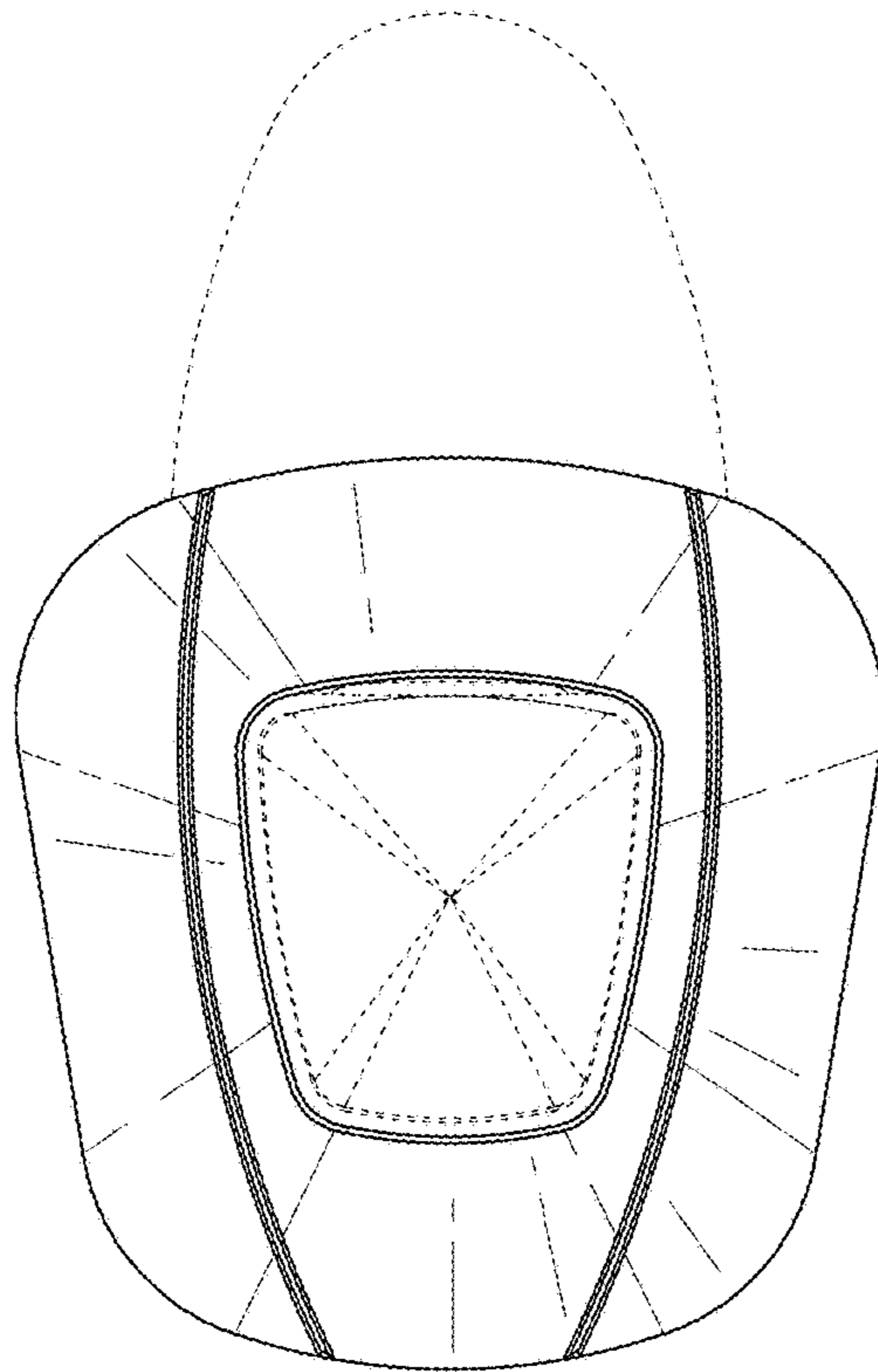


FIG. 3

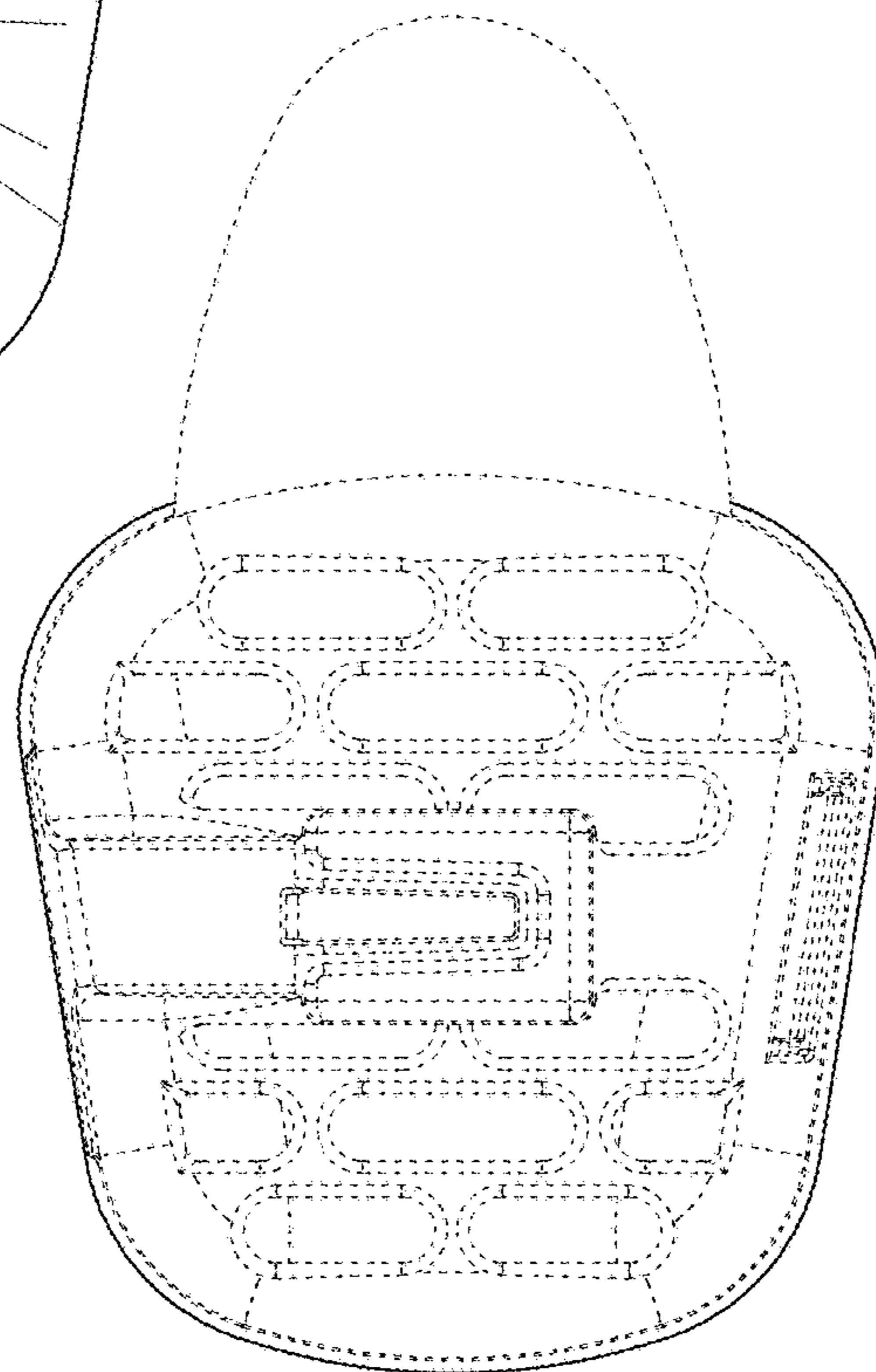


FIG. 4

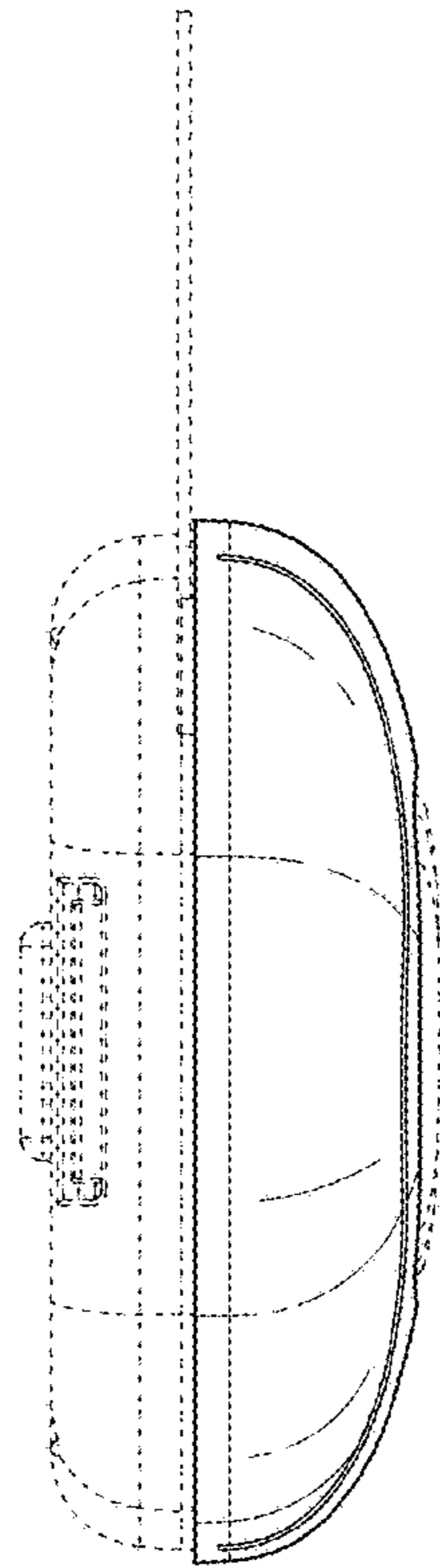


FIG. 5

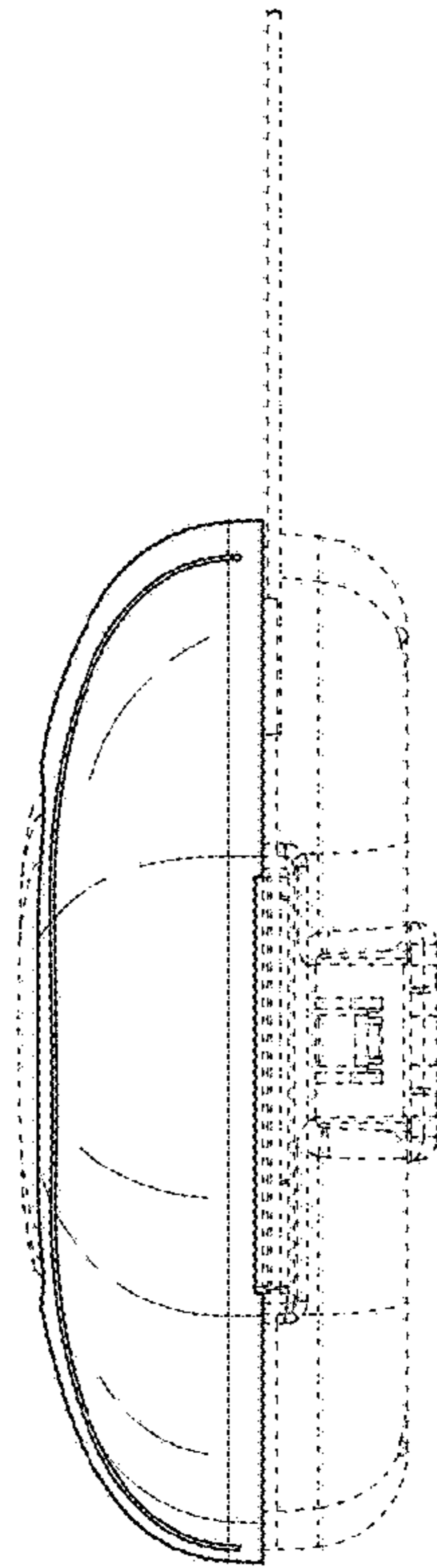


FIG. 6

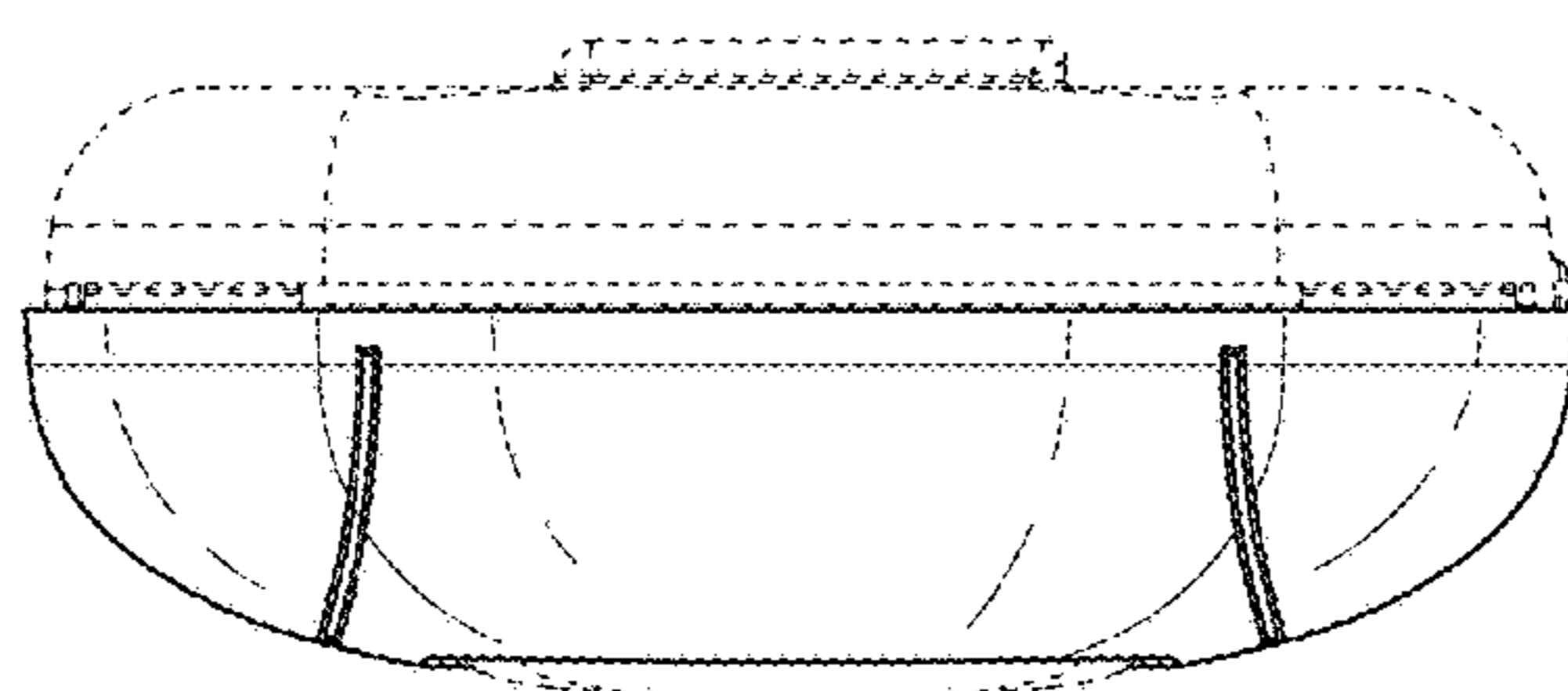


FIG. 7

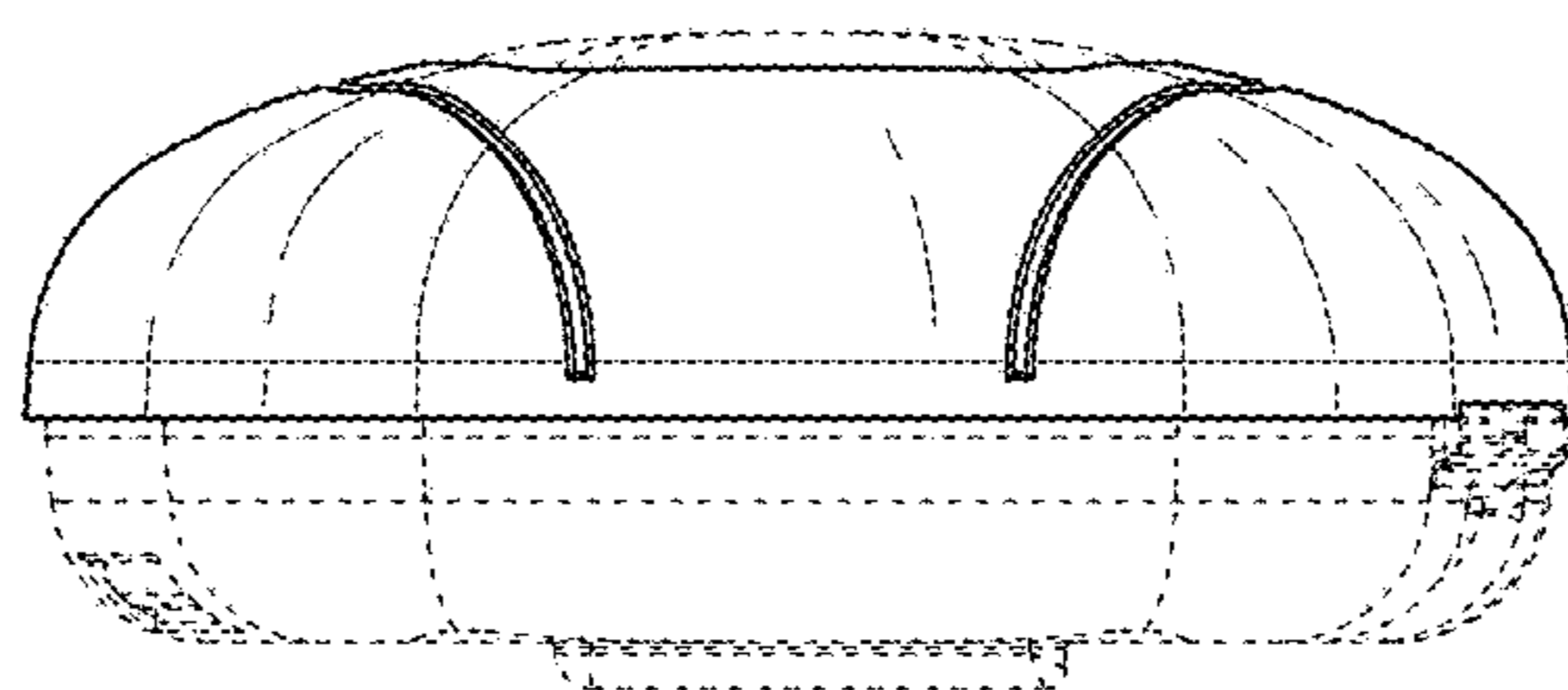


FIG. 8