



US00D849219S

(12) **United States Design Patent**
Liang

(10) **Patent No.:** **US D849,219 S**

(45) **Date of Patent:** **** May 21, 2019**

(54) **HUMIDIFIER**

(71) Applicant: **Jingqing Liang**, Zhongshan (CN)

(72) Inventor: **Jingqing Liang**, Zhongshan (CN)

(**) Term: **15 Years**

(21) Appl. No.: **29/645,627**

(22) Filed: **Apr. 27, 2018**

(51) **LOC (11) Cl.** **23-04**

(52) **U.S. Cl.**
USPC **D23/356**

(58) **Field of Classification Search**

USPC D23/355-366, 352, 369, 332, 333, 335,
D23/336, 342, 351; 422/120, 122;
55/356, 473, 504; 96/97; D14/188, 170,
D14/172; 261/DIG. 17, DIG. 65,
261/DIG. 88, DIG. 31
CPC A61L 9/22; B01D 47/00; B01D 47/027;
B01D 2221/02; B01D 2259/4508; B03C
3/155; B03C 3/368; F24F 3/16; F24F
13/20; F24F 13/28; F24F 2001/0096;
F24F 3/1405; F24F 3/1603; F24F 13/222
See application file for complete search history.

(56) **References Cited**

U.S. PATENT DOCUMENTS

D240,829 S * 8/1976 Jones D9/689
D370,704 S * 6/1996 Oberhoff D21/684

D720,064 S * 12/2014 Li D23/366
D806,217 S * 12/2017 Hui D23/358
D810,909 S * 2/2018 Yu D23/366
D811,571 S * 2/2018 Hu D23/356
D813,368 S * 3/2018 Zuo D23/366
D815,720 S * 4/2018 Hu D23/366
D816,200 S * 4/2018 Hu D23/356
D820,965 S * 6/2018 Li D23/366
D828,527 S * 9/2018 Xu D23/356
D835,772 S * 12/2018 Wei D23/366
2012/0181350 A1 * 7/2012 Snider A61L 9/048
239/34

* cited by examiner

Primary Examiner — David G Muller
Assistant Examiner — Nathan M Johnston

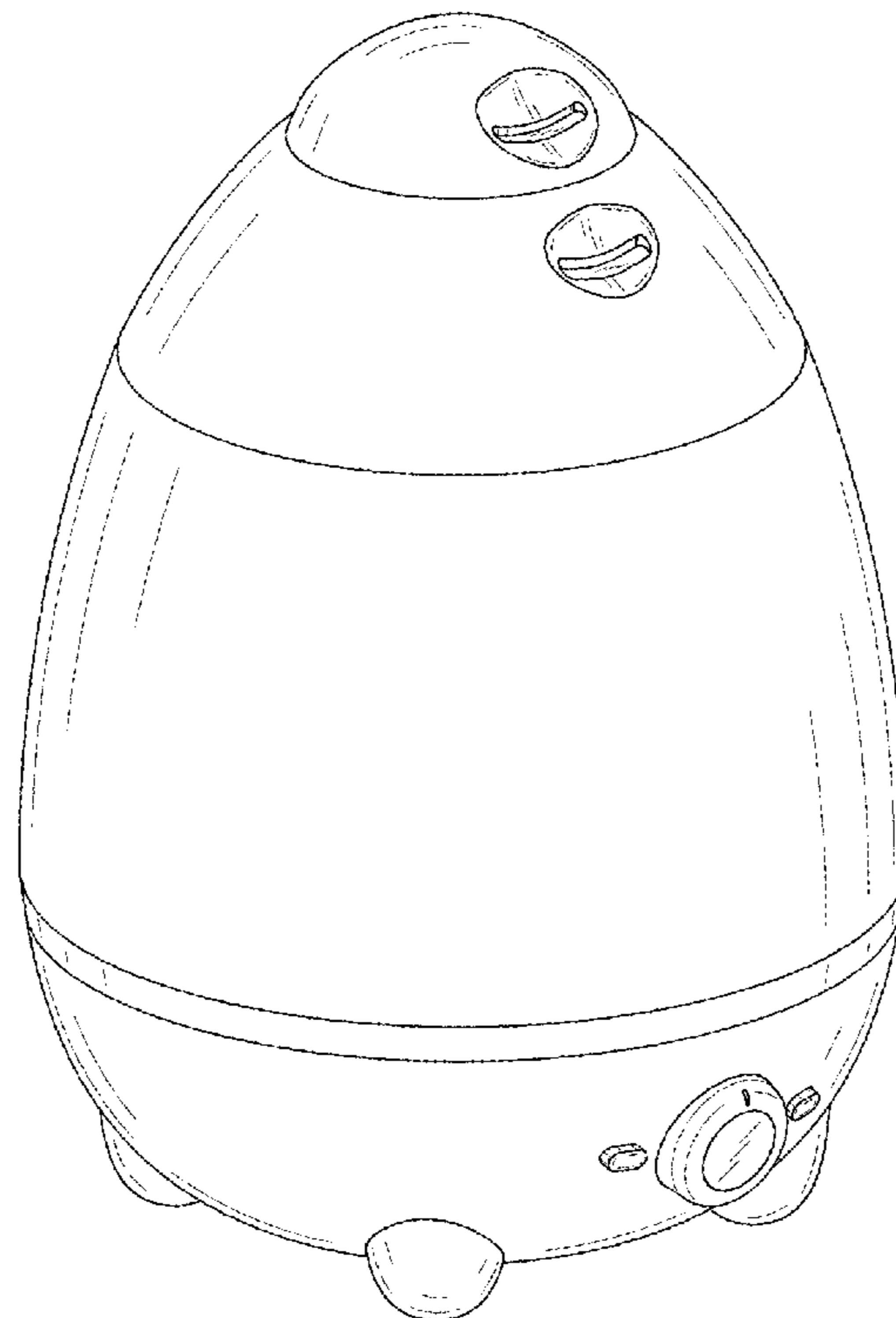
(57) **CLAIM**

The ornamental design for humidifier, as shown and described.

DESCRIPTION

FIG. 1 is a front view of the humidifier showing my new design;
FIG. 2 is a back view thereof;
FIG. 3 is a left side view thereof;
FIG. 4 is a right side view thereof;
FIG. 5 is a top view thereof;
FIG. 6 is a bottom view thereof;
FIG. 7 is a perspective view thereof; and,
FIG. 8 is another perspective view thereof.

1 Claim, 7 Drawing Sheets



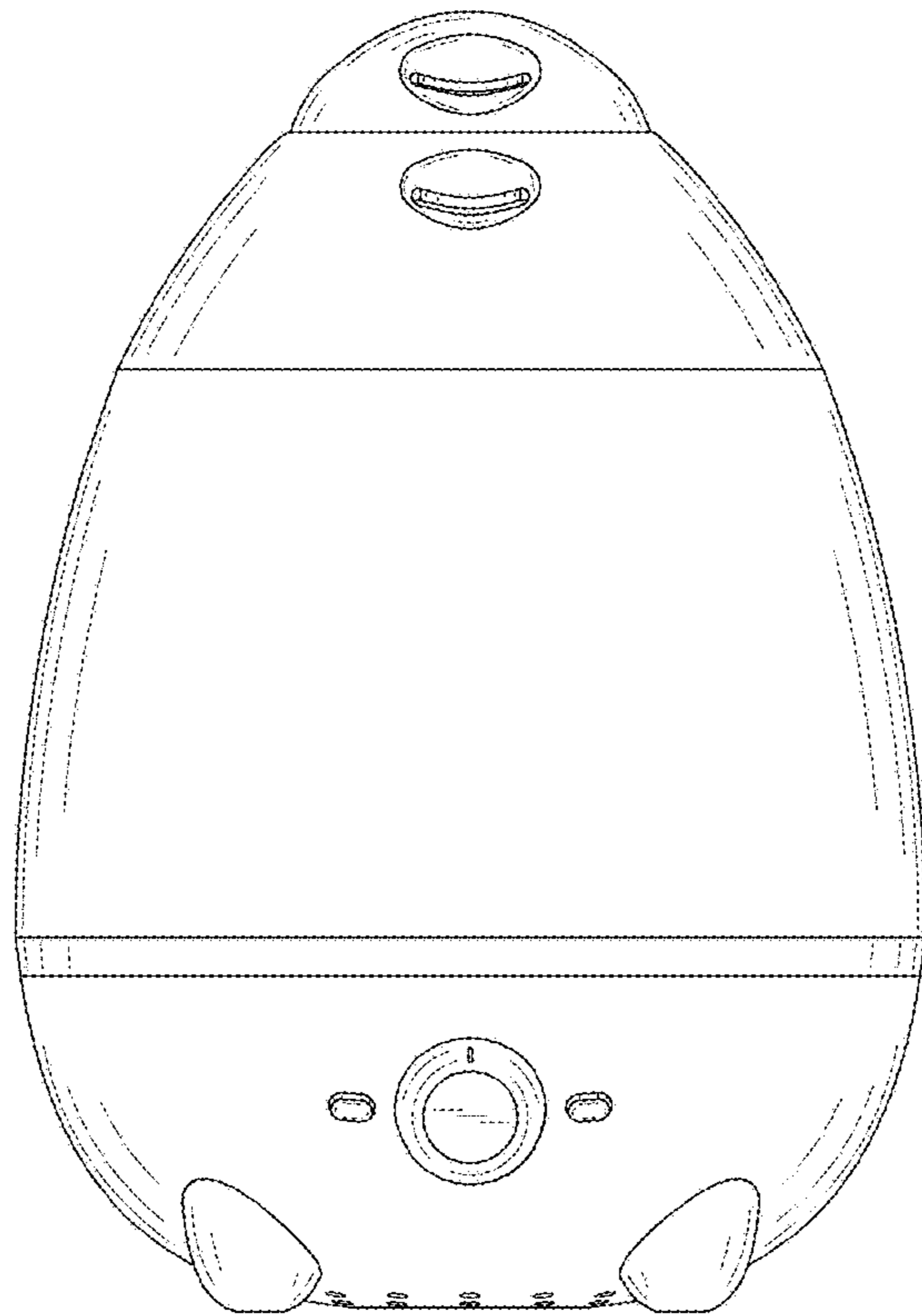


Fig.1

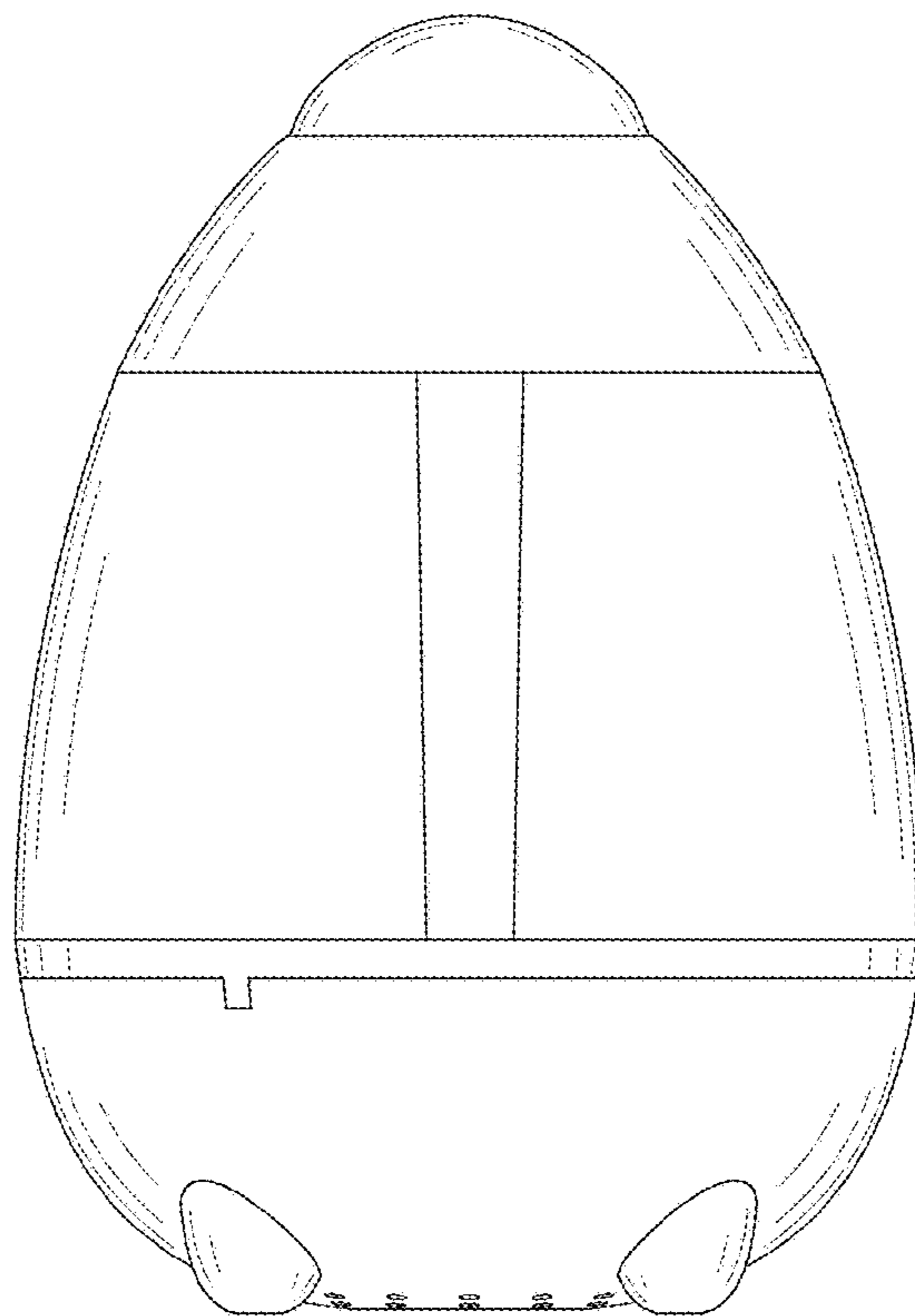


Fig.2

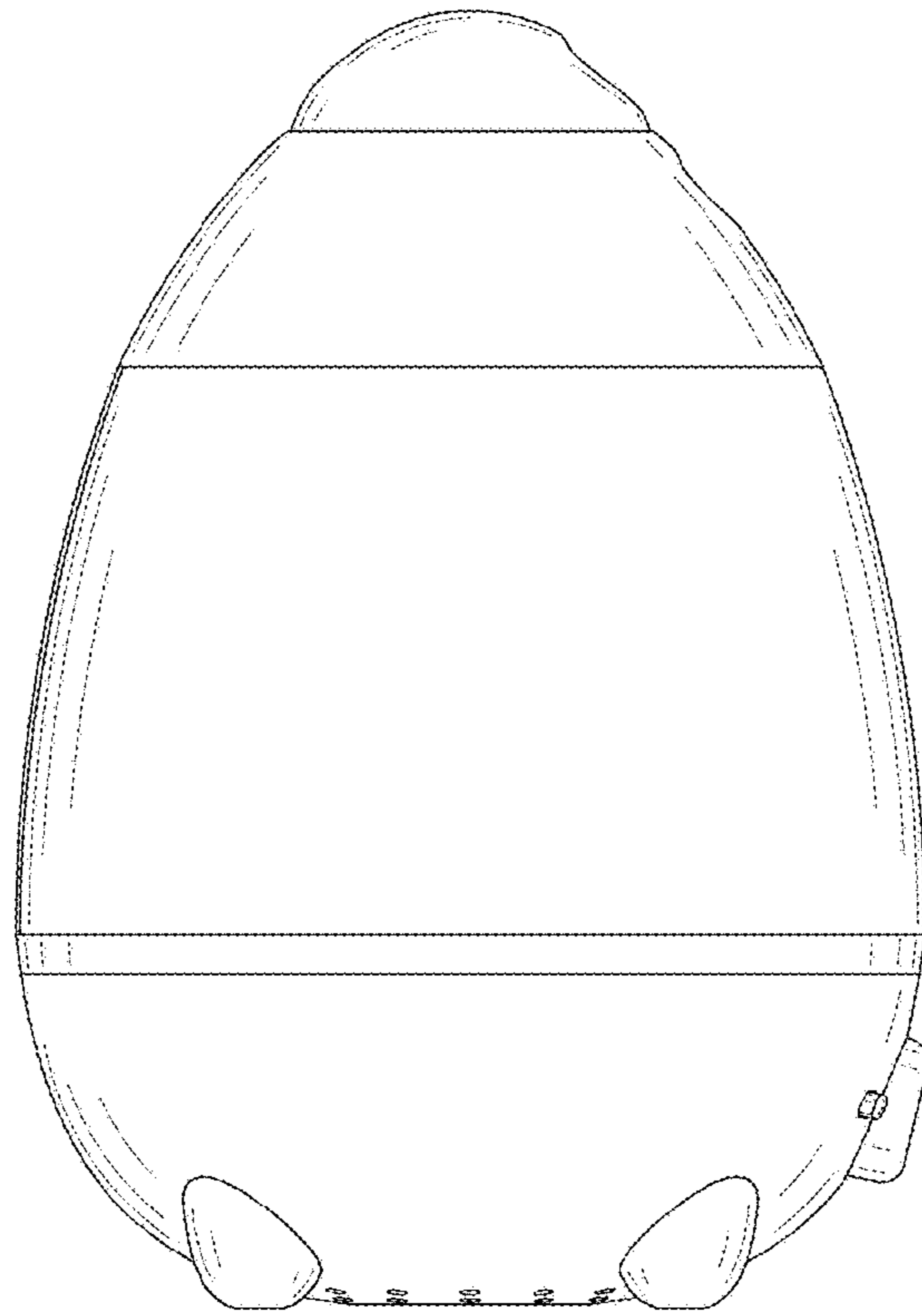


Fig3

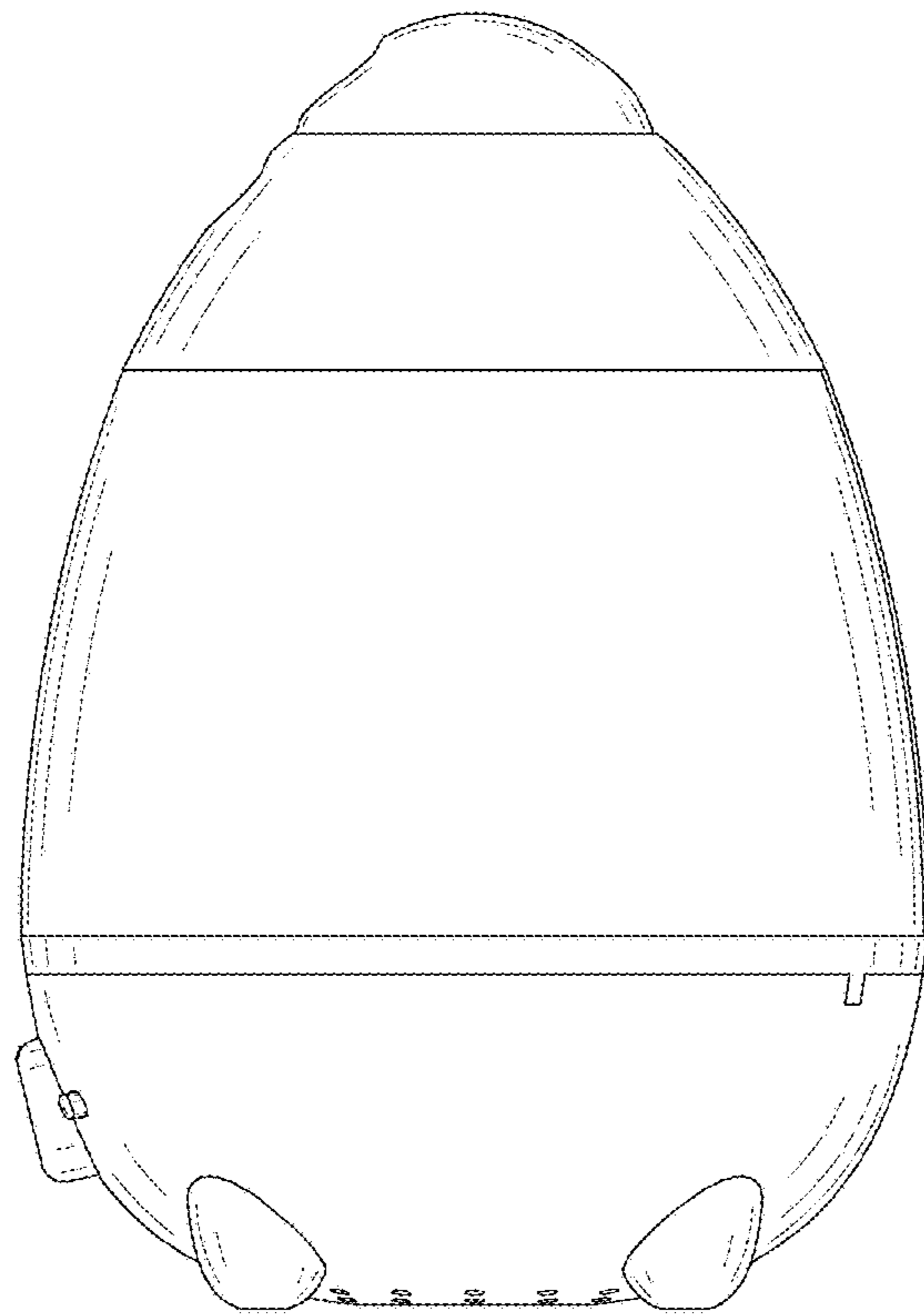


Fig.4

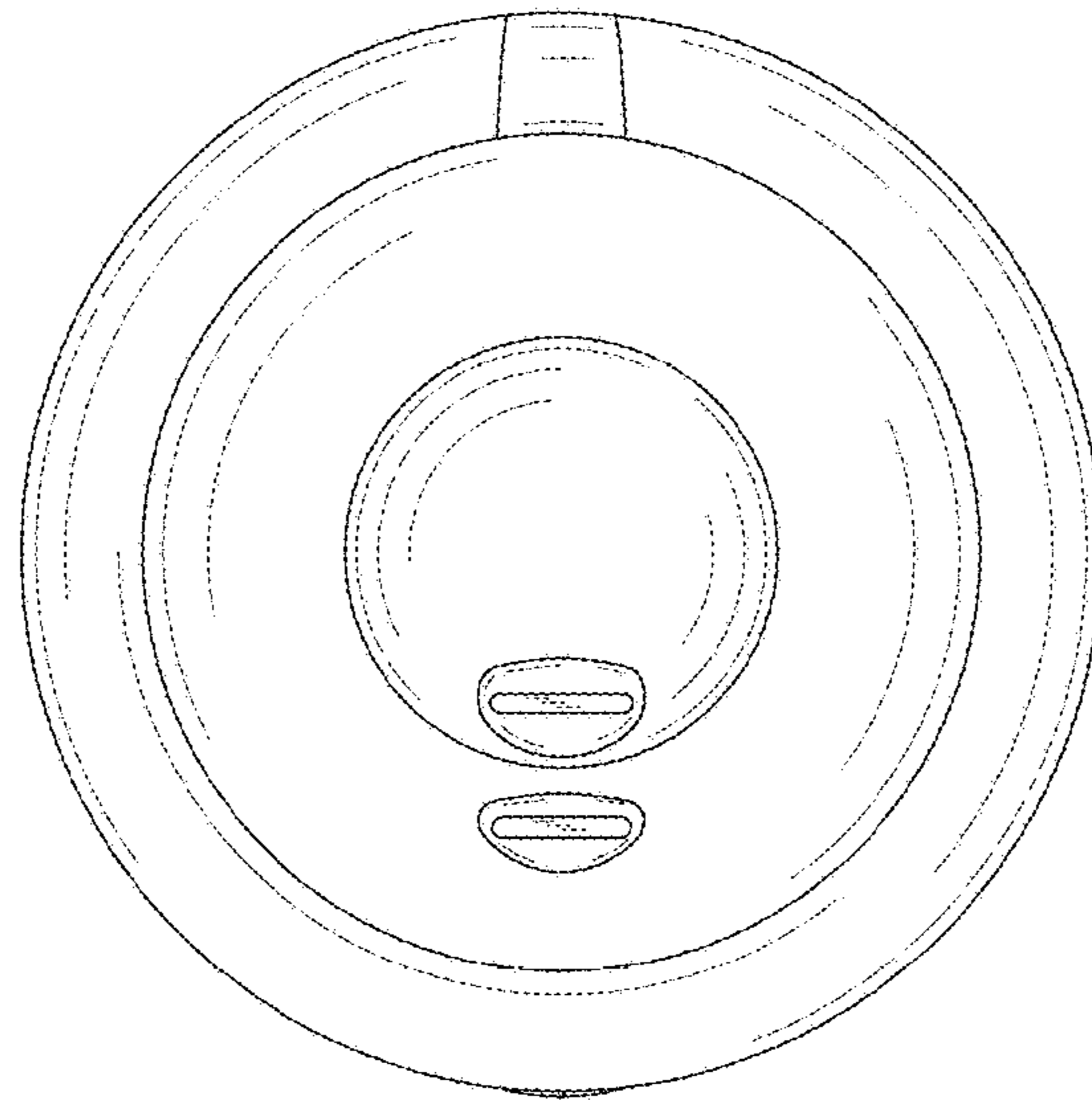


Fig.5

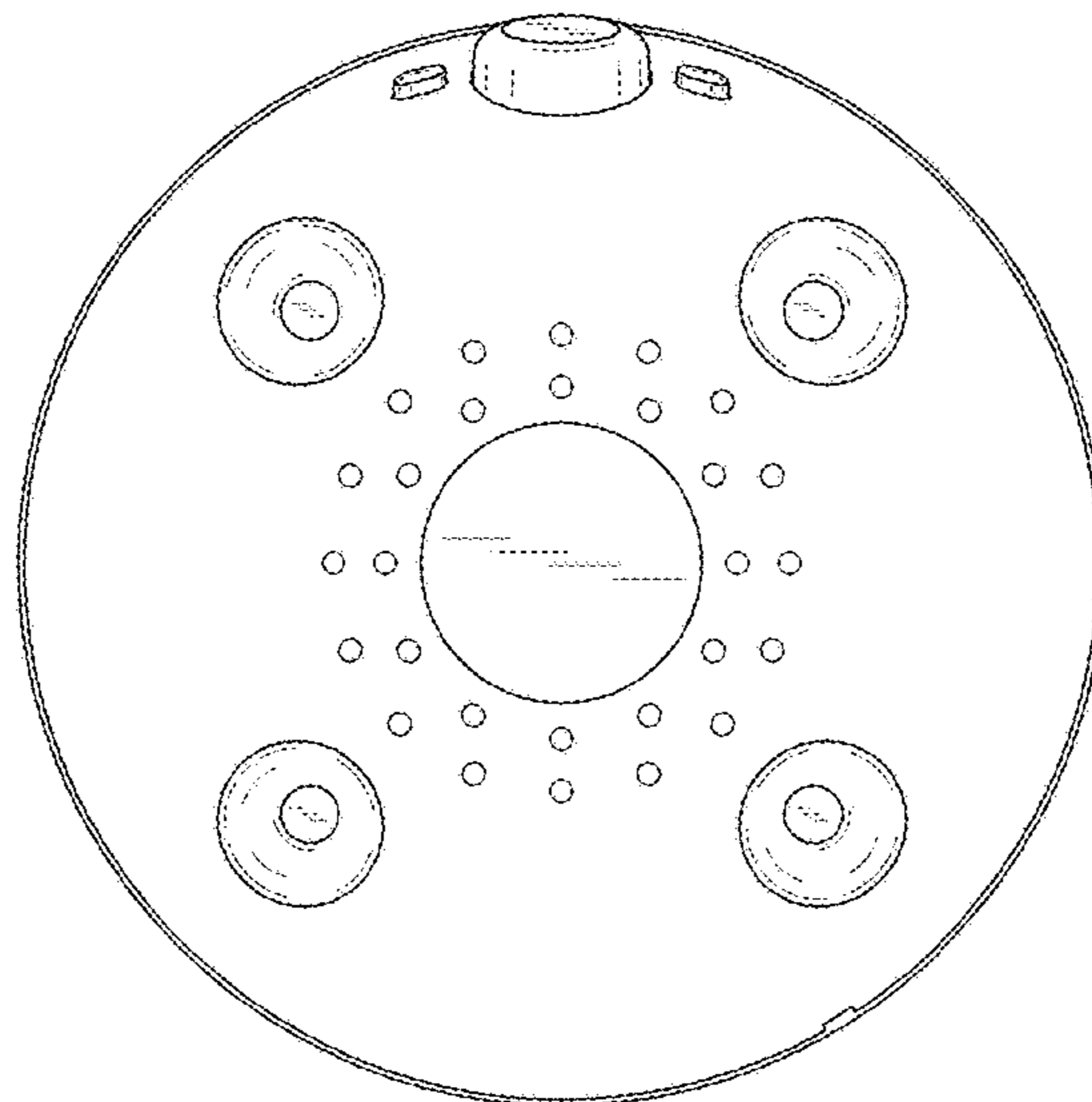


Fig.6

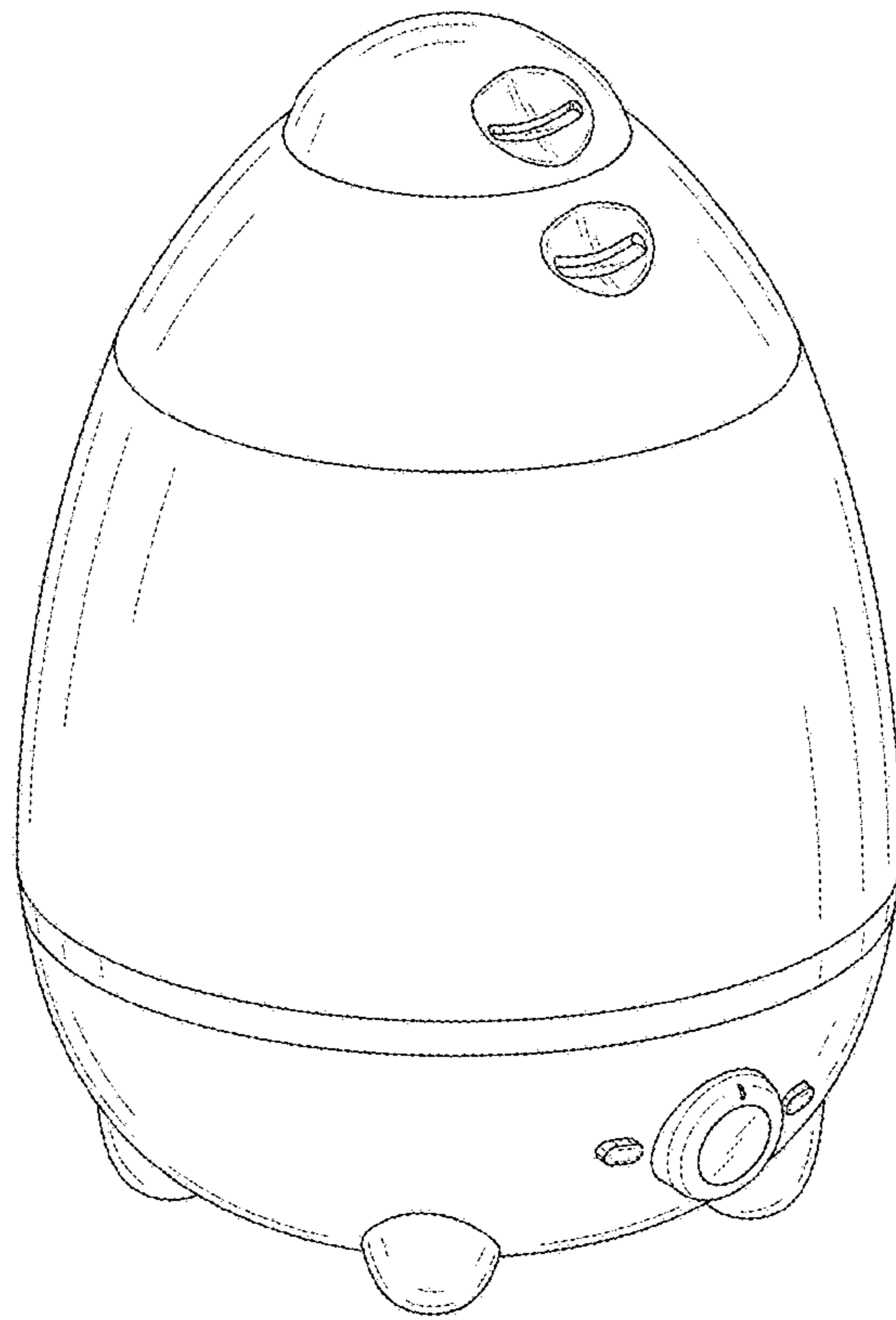


Fig.7

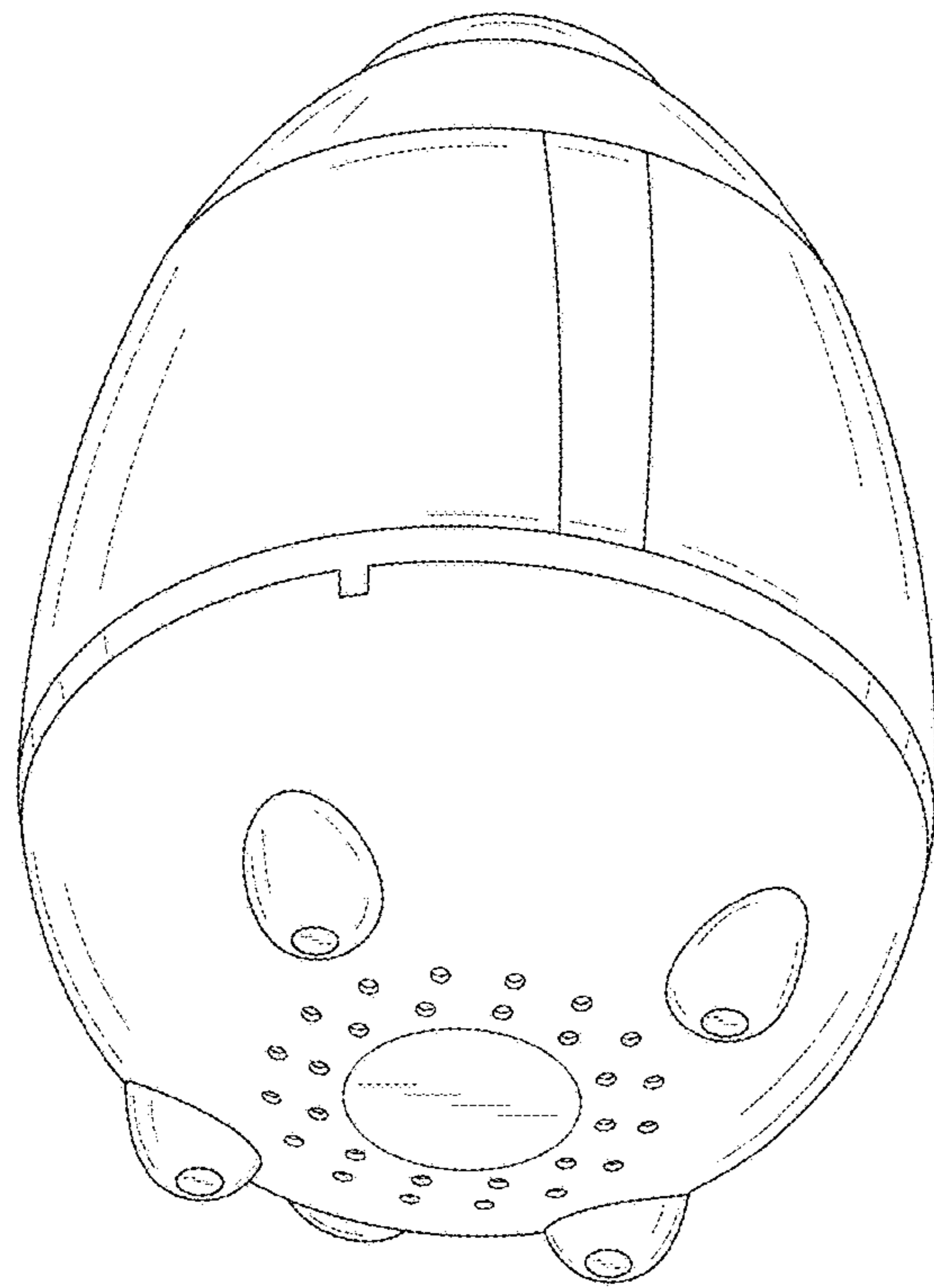


Fig.8