



US00D849218S

(12) **United States Design Patent** (10) **Patent No.:** **US D849,218 S**
Liang (45) **Date of Patent:** **** May 21, 2019**

(54) **HUMIDIFIER**
(71) Applicant: **Jingqing Liang**, Zhongshan (CN)
(72) Inventor: **Jingqing Liang**, Zhongshan (CN)
(**) Term: **15 Years**
(21) Appl. No.: **29/645,626**
(22) Filed: **Apr. 27, 2018**
(51) **LOC (11) Cl.** **23-04**
(52) **U.S. Cl.**
USPC **D23/356**
(58) **Field of Classification Search**
USPC D23/355-366, 352, 369, 332, 333, 335,
D23/336, 342, 351; 422/120, 122;
55/356, 473, 504; 96/97; D14/188, 170,
D14/172; 261/DIG. 17, DIG. 65,
261/DIG. 88, DIG. 31
CPC A61L 9/22; B01D 47/00; B01D 47/027;
B01D 2221/02; B01D 2259/4508; B03C
3/155; B03C 3/368; F24F 3/16; F24F
13/20; F24F 13/28; F24F 2001/0096;
F24F 3/1405; F24F 3/1603; F24F 13/222
See application file for complete search history.

D681,791 S * 5/2013 Jorgensen D23/366
D700,692 S * 3/2014 Engelhardt D23/360
D716,427 S * 10/2014 Lim D23/364
D757,921 S * 5/2016 Li D23/366
D810,265 S * 2/2018 Chen D23/366
D827,802 S * 9/2018 Chen D23/366
D832,414 S * 10/2018 Sharma D23/364
D834,694 S * 11/2018 Walter D23/366
2013/0259756 A1 * 10/2013 Maroske A62B 7/08
422/120

(56) **References Cited**
U.S. PATENT DOCUMENTS
D288,714 S * 3/1987 Wilson D23/366
4,860,953 A * 8/1989 Hsien A61L 9/12
239/47
D328,946 S * 8/1992 Havrilla D23/365
D493,874 S * 8/2004 Woods D23/364

OTHER PUBLICATIONS

Amazon.com, Orange Tech To Fill Cool Mist Humidifier, Nov. 7, 2018, <https://www.amazon.com/dp/B07DPK5C7M/> (Year: 2018).*

* cited by examiner

Primary Examiner — David G Muller
Assistant Examiner — Nathan M Johnston

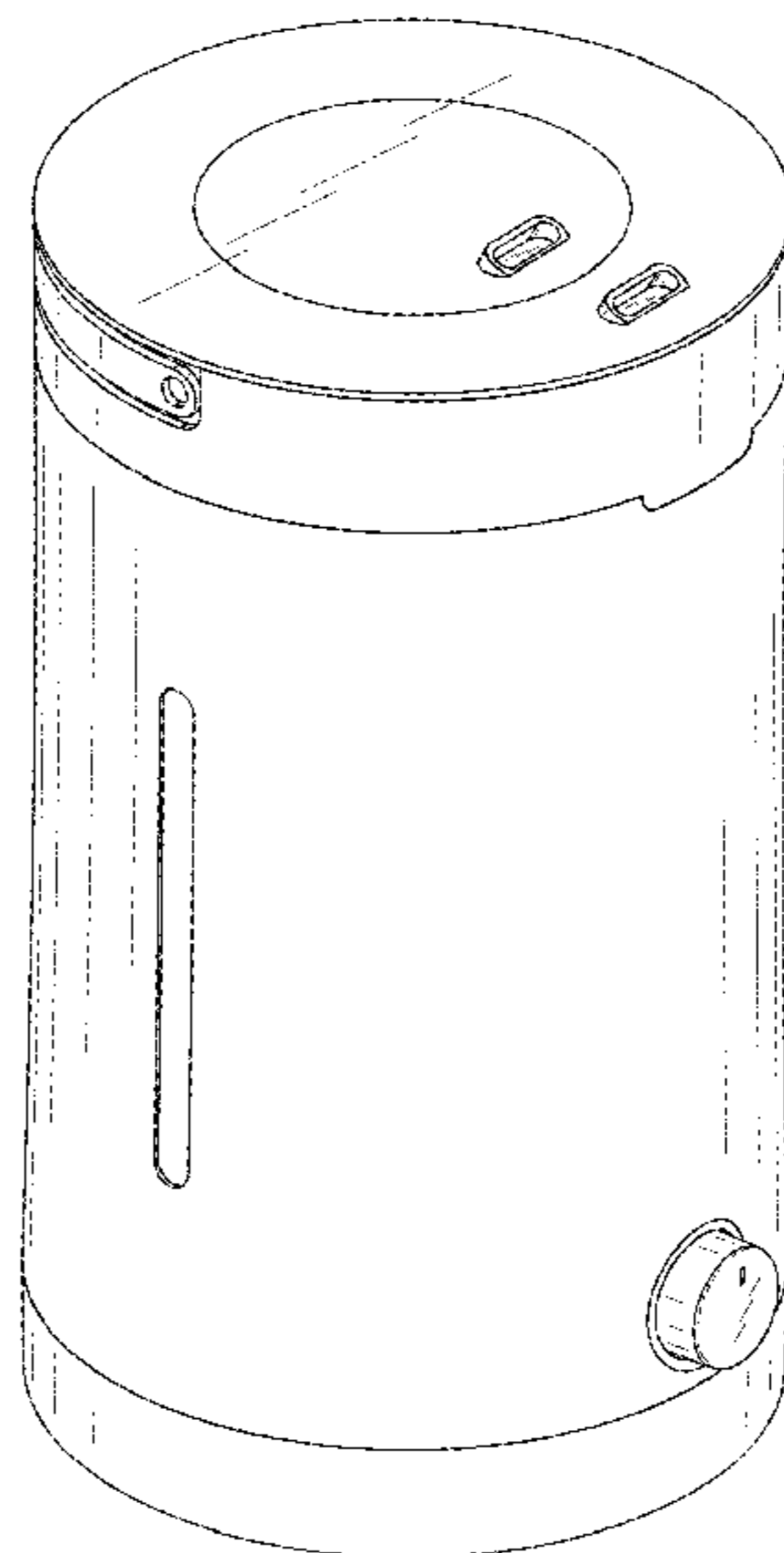
(57) **CLAIM**

The ornamental design for humidifier, as shown and described.

DESCRIPTION

FIG. 1 is a front view of the humidifier showing my new design;
FIG. 2 is a back view thereof;
FIG. 3 is a left side view thereof;
FIG. 4 is a right side view thereof;
FIG. 5 is a top view thereof;
FIG. 6 is a bottom view thereof;
FIG. 7 is a perspective view thereof; and,
FIG. 8 is another perspective view thereof.

1 Claim, 7 Drawing Sheets



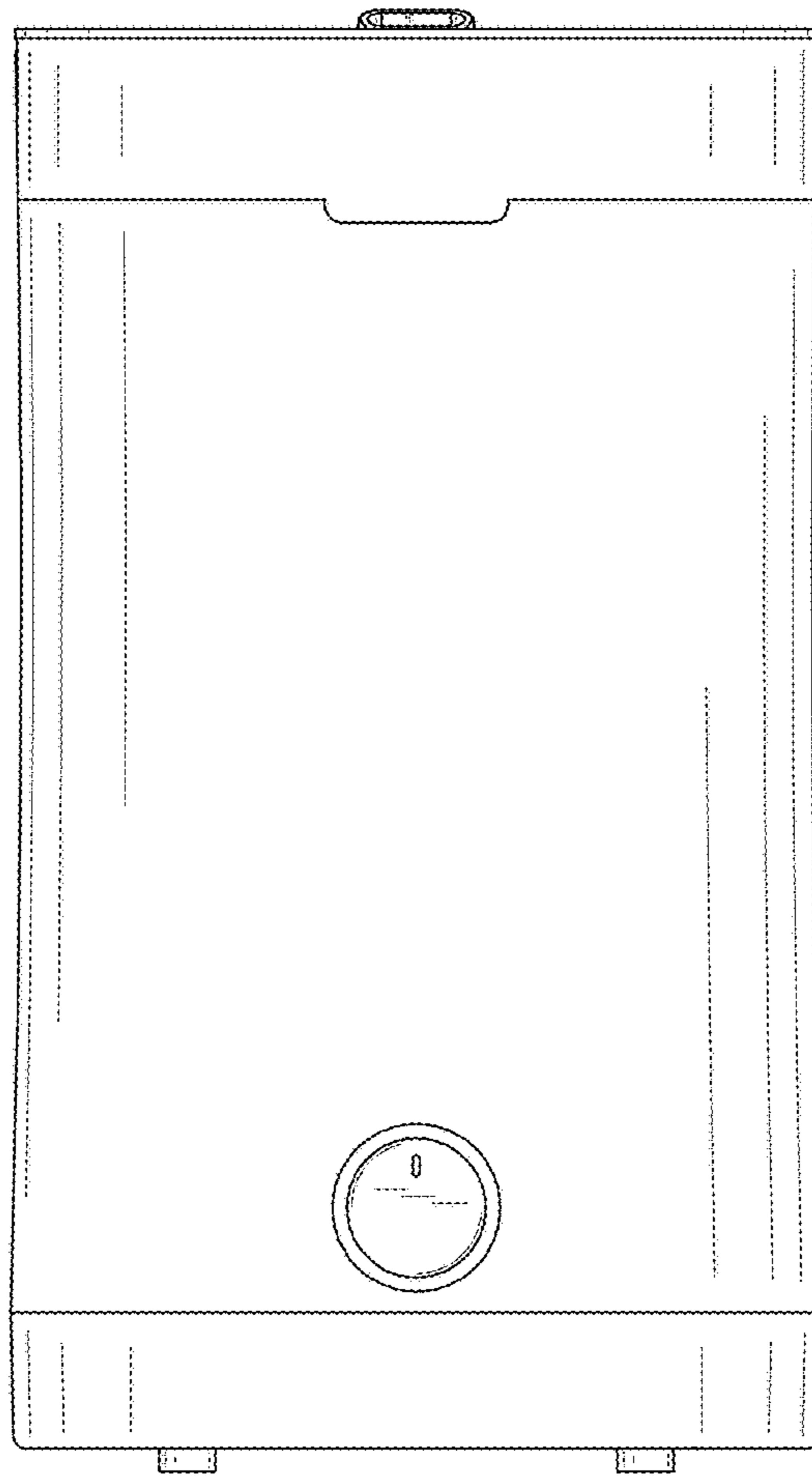


Fig.1

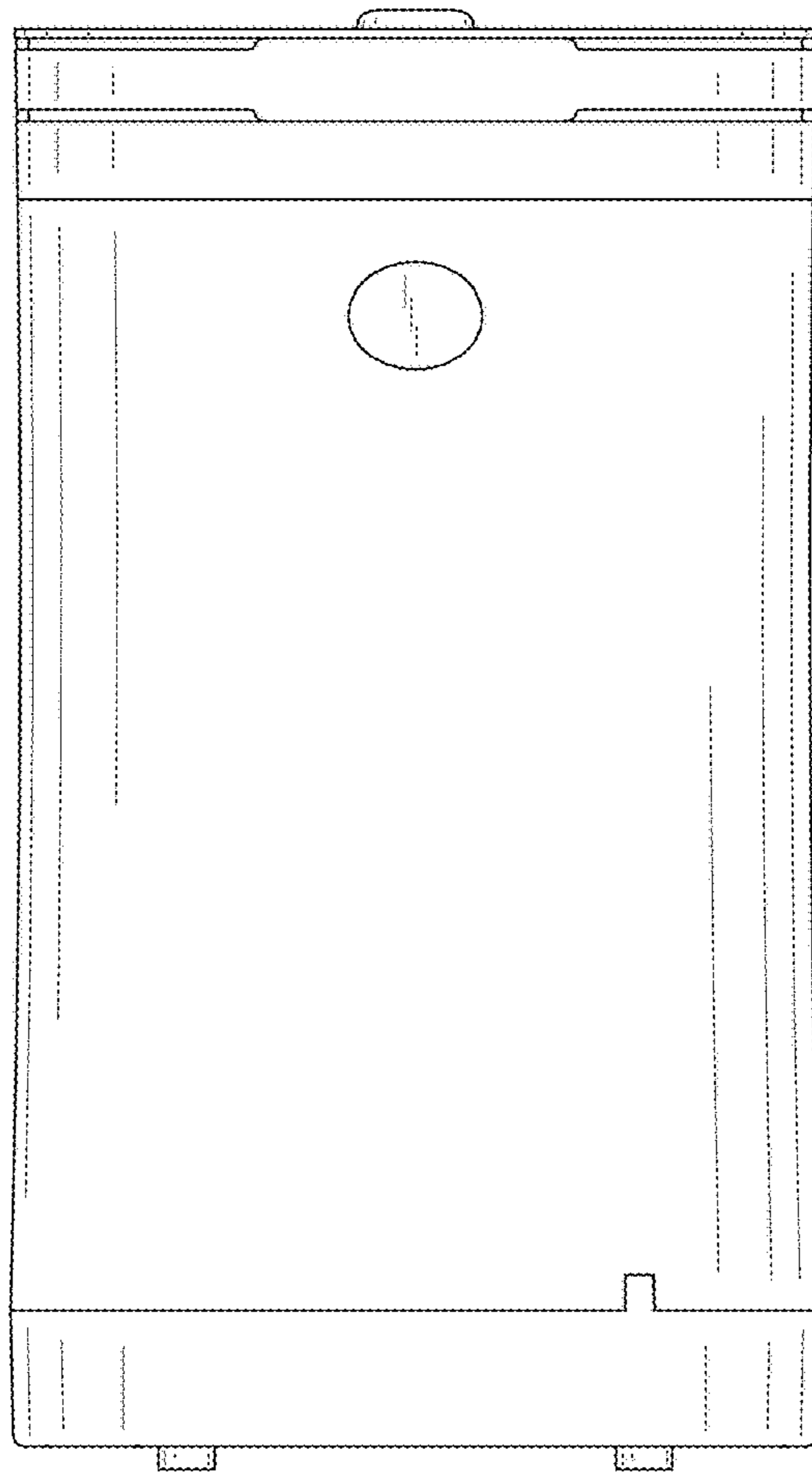


Fig.2

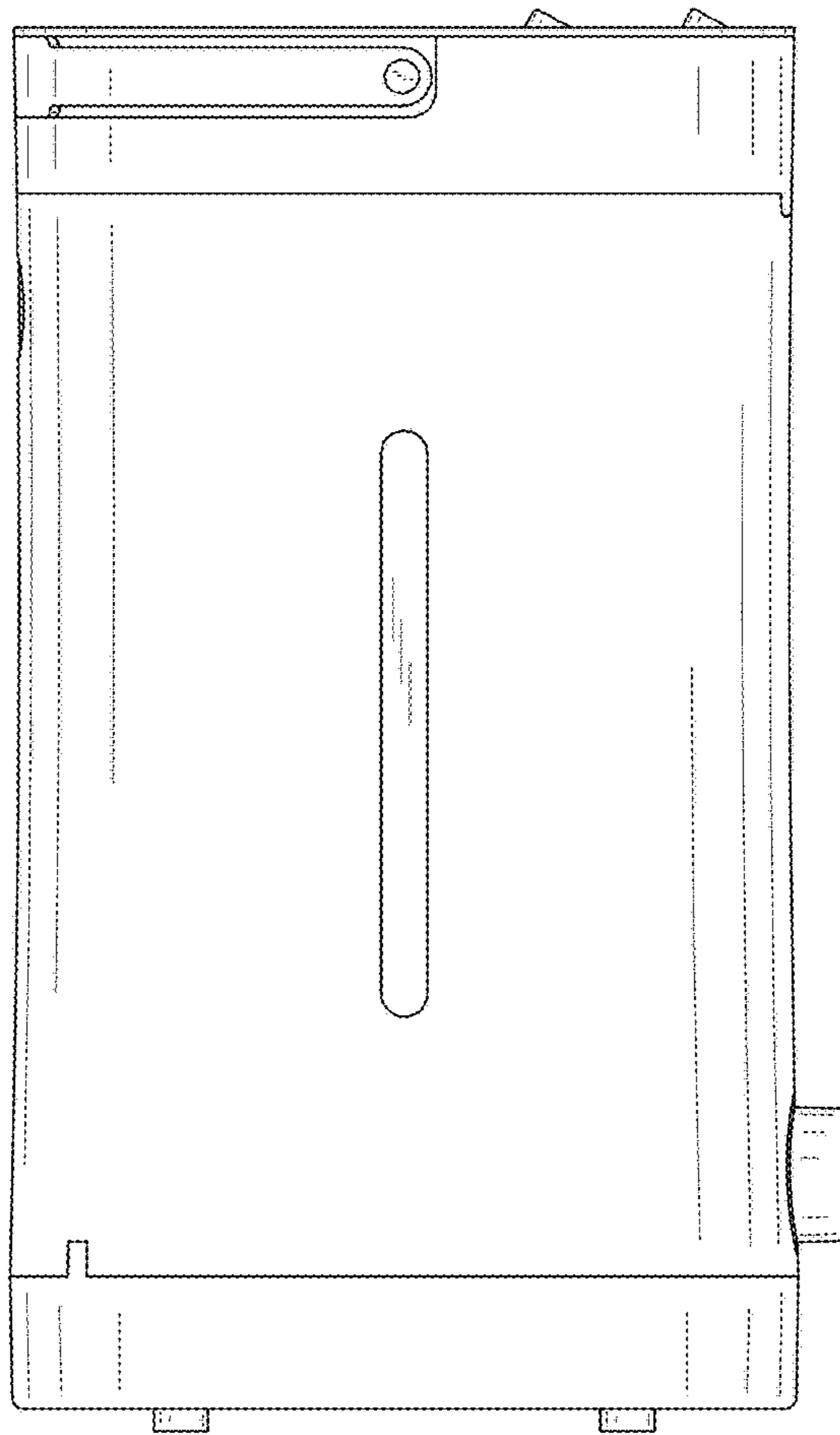


Fig3

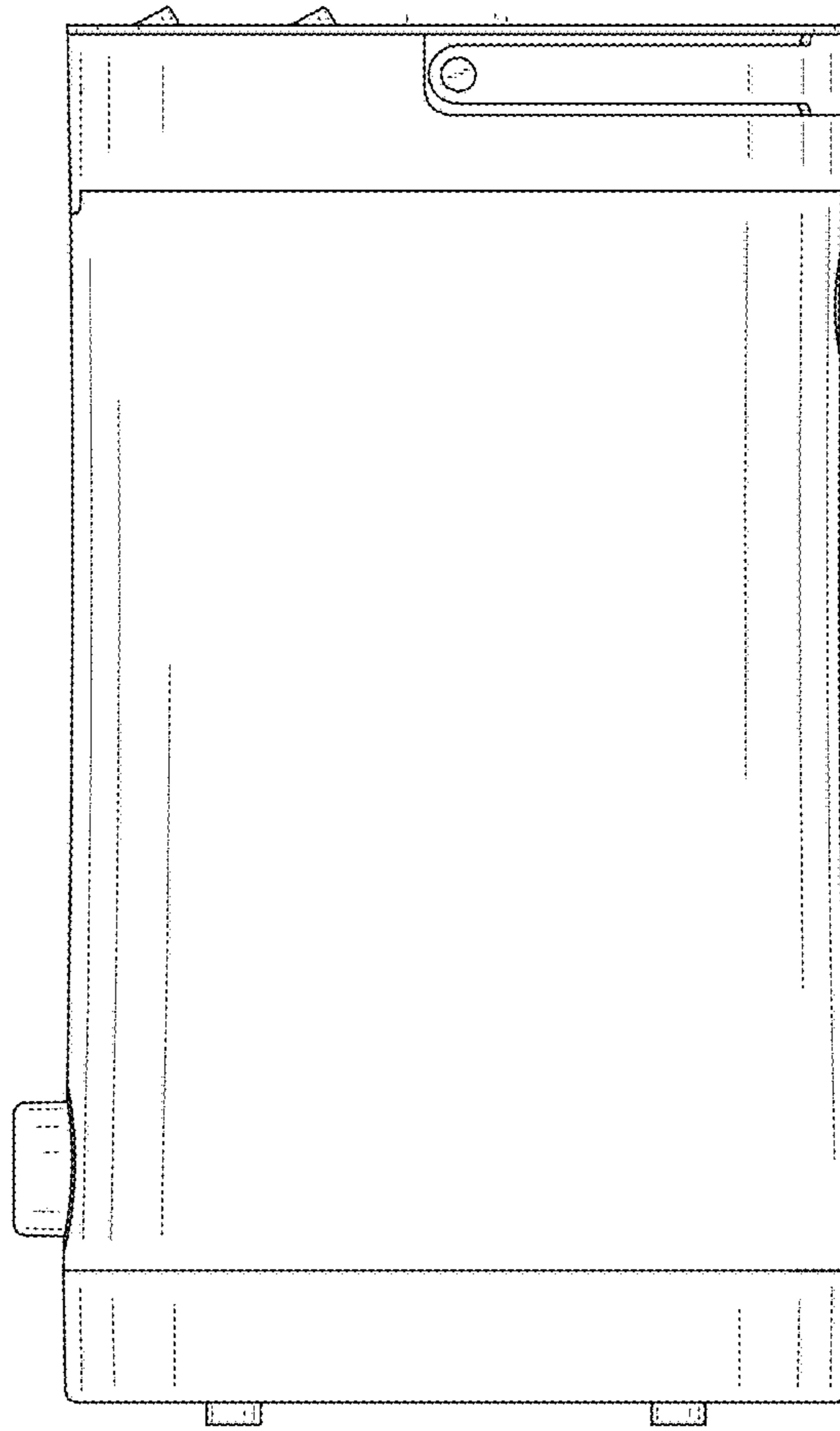


Fig.4

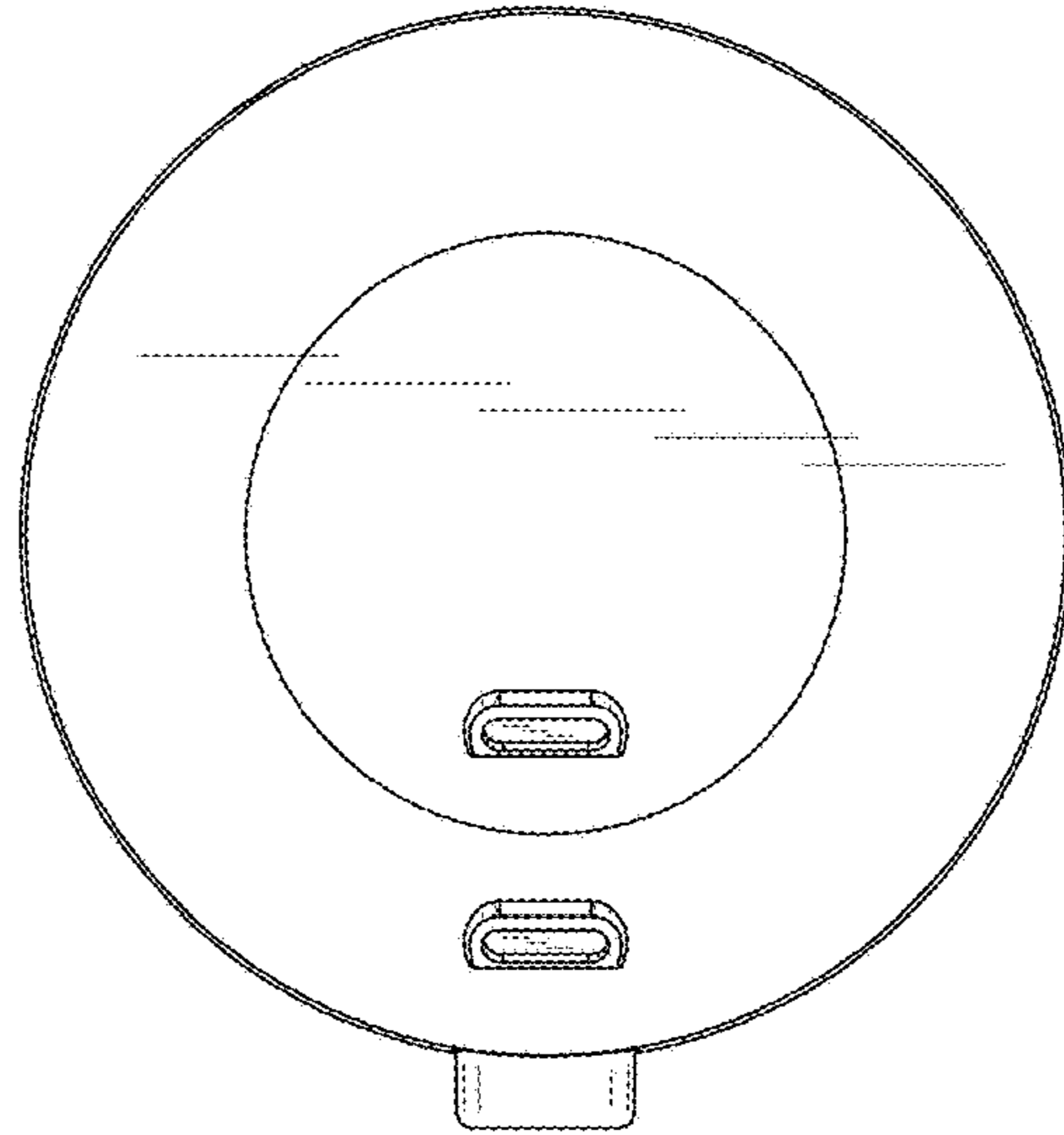


Fig.5

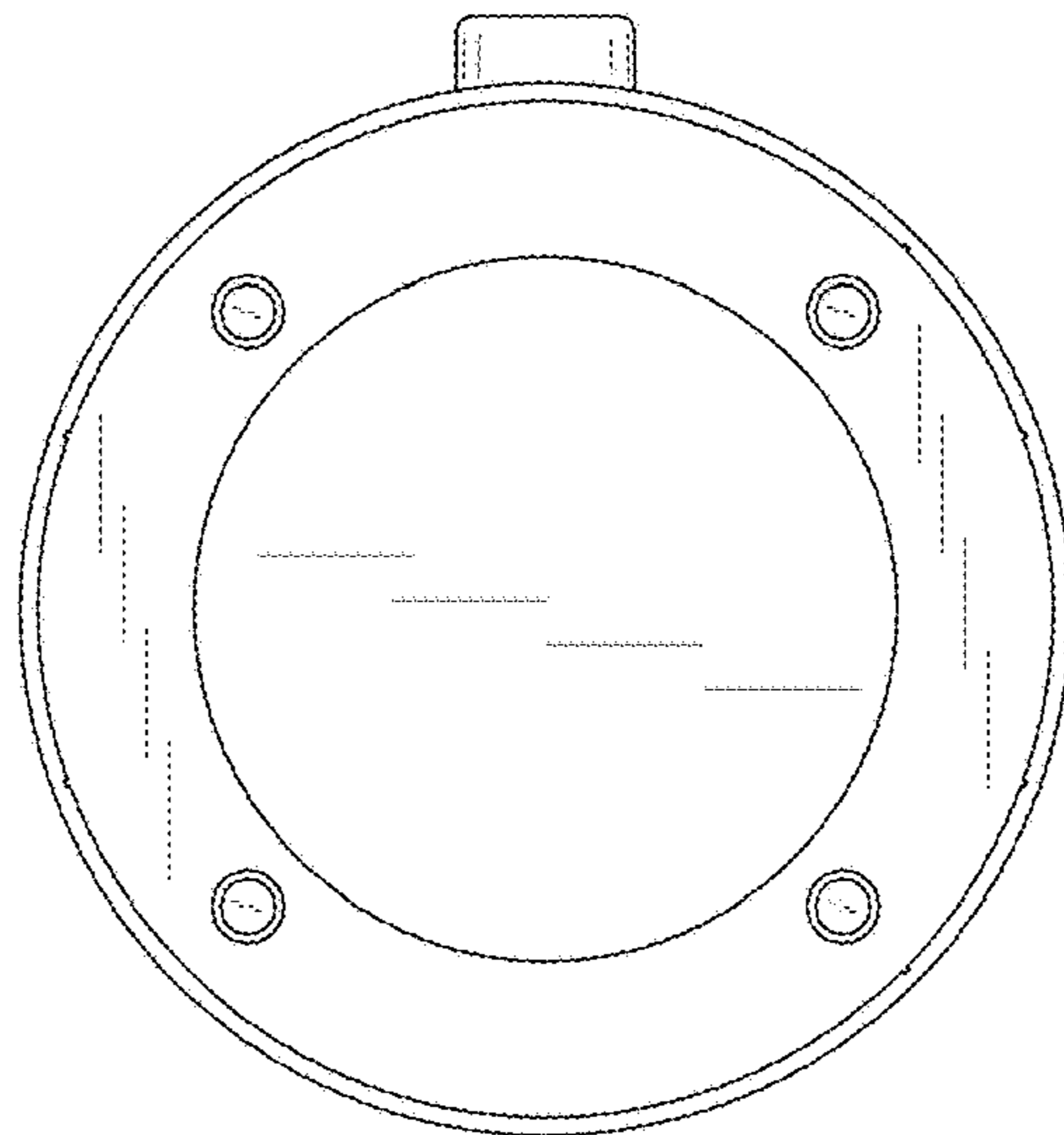


Fig.6

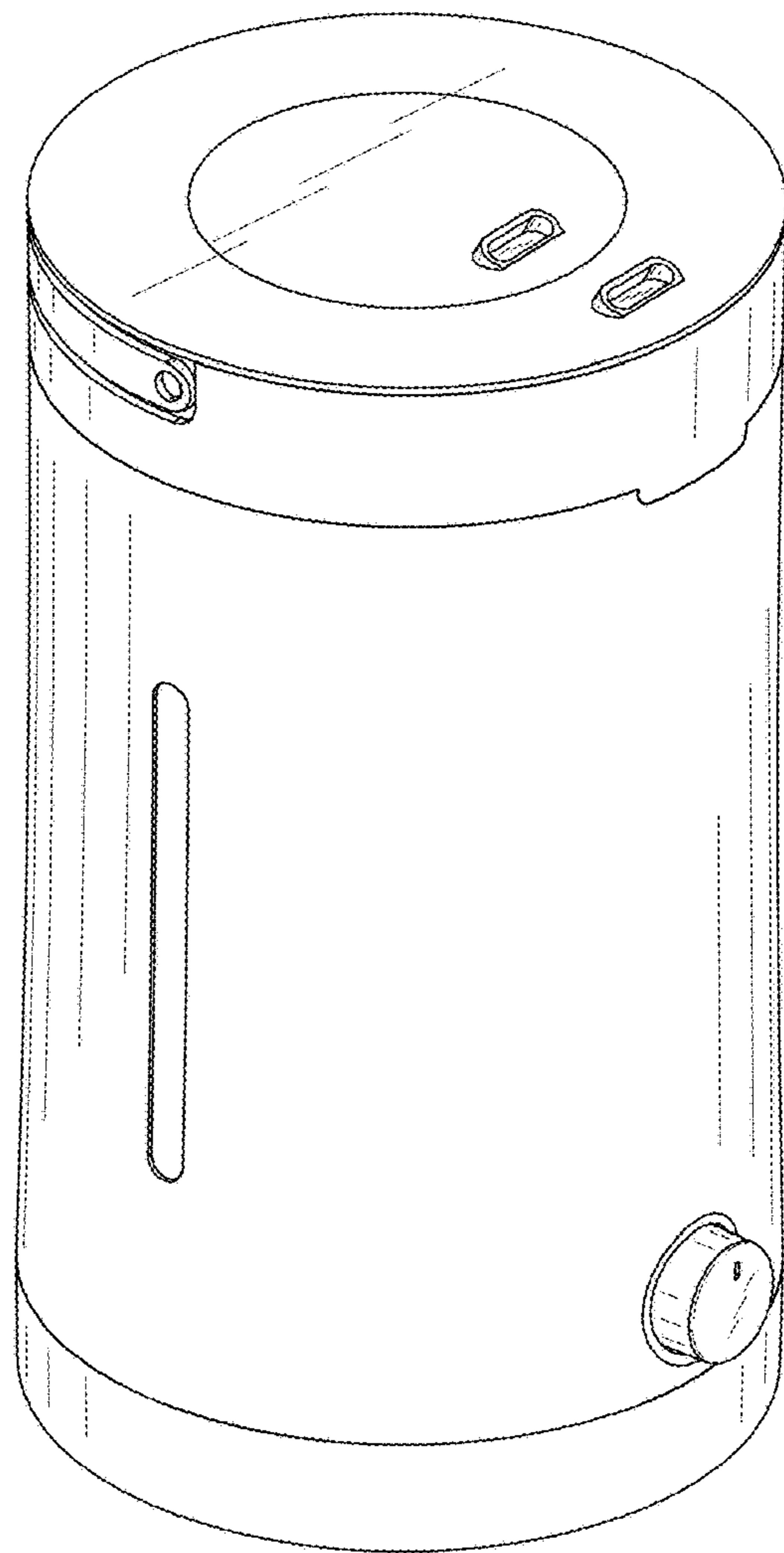


Fig.7

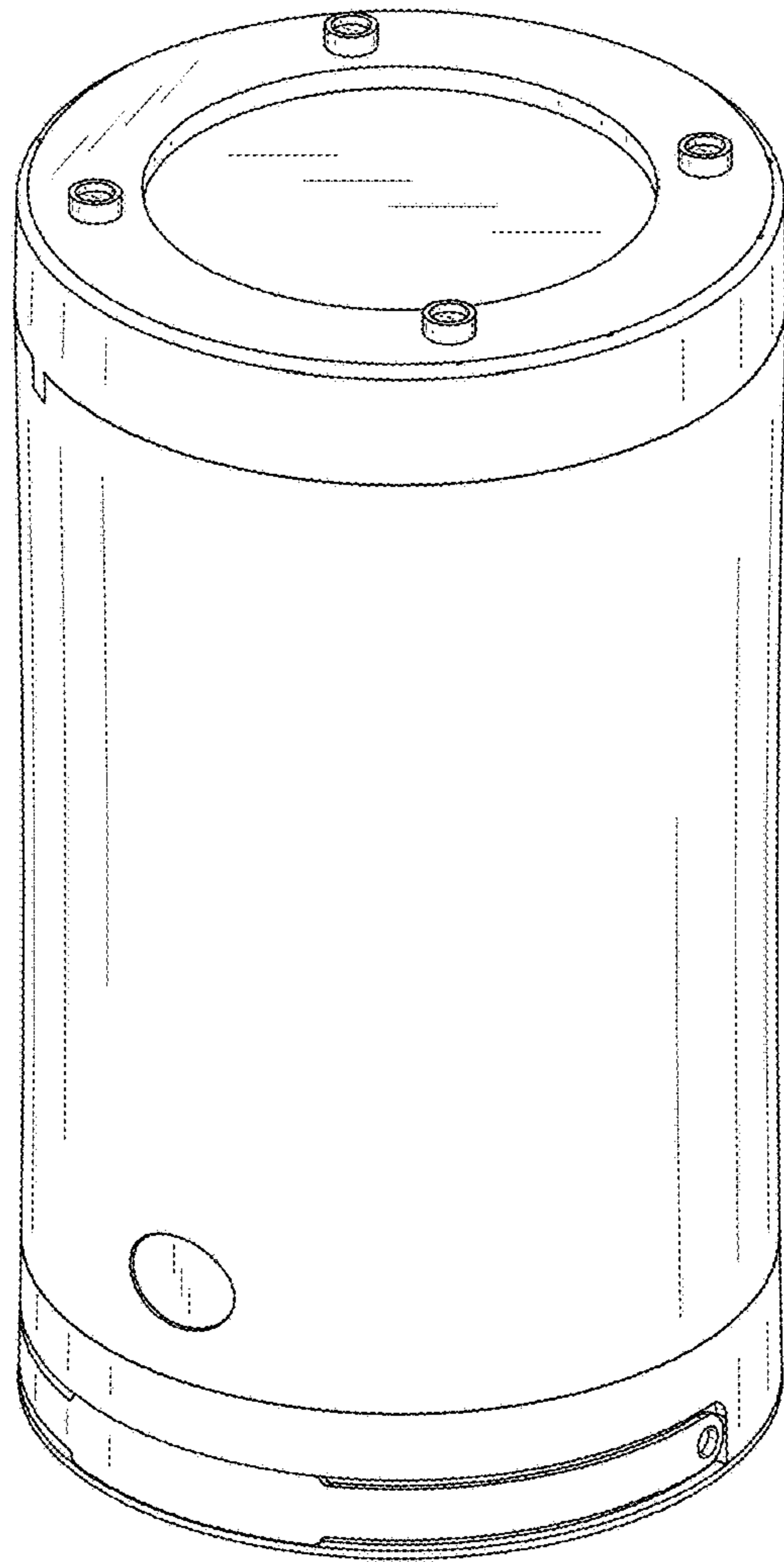


Fig.8