



US00D849217S

(12) **United States Design Patent**
Yamashita

(10) **Patent No.:** **US D849,217 S**

(45) **Date of Patent:** **** May 21, 2019**

(54) **PANEL FOR AIR-CONDITIONER**

(71) Applicant: **Mana Yamashita**, Osaka (JP)

(72) Inventor: **Mana Yamashita**, Osaka (JP)

(73) Assignee: **DAIKIN INDUSTRIES LTD.**,
Osaka-Shi, Osaka-Fu (JP)

(**) Term: **15 Years**

(21) Appl. No.: **29/612,104**

(22) Filed: **Jul. 28, 2017**

(30) **Foreign Application Priority Data**

Feb. 9, 2017 (JP) 2017-002458

(51) **LOC (11) Cl.** **23-04**

(52) **U.S. Cl.**
USPC **D23/351**

(58) **Field of Classification Search**
USPC D23/333, 335, 341, 342, 351, 353, 354,
D23/355, 356, 359, 364, 365, 370, 385,
D23/386, 388, 393

CPC F24F 1/00; F24F 1/0007; F24F 1/02; F24F
1/08; F24F 1/42; F24F 1/56; F24F 1/60;
F24F 3/044; F24F 3/048; F24F 3/16;
F24F 7/00; F24F 7/04; F24F 12/001;
F24F 12/006

See application file for complete search history.

(56) **References Cited**

U.S. PATENT DOCUMENTS

7,651,390 B1 * 1/2010 Profeta F24F 13/06
454/284
7,665,238 B2 * 2/2010 Majerowski A01M 1/2055
293/44

D621,492 S * 8/2010 Tanaka D23/351
D627,043 S * 11/2010 Tanaka D23/351
D726,295 S * 4/2015 Kim D23/351
D755,944 S * 5/2016 Daniels D23/373
D768,276 S * 10/2016 Kim D23/354
D784,511 S * 4/2017 Jonas D23/388
D784,512 S * 4/2017 Jonas D23/388
D810,251 S * 2/2018 Yamashita D23/351
D815,724 S * 4/2018 Jonas D23/385
D816,206 S * 4/2018 Jonas D23/385

* cited by examiner

Primary Examiner — Natasha Vujcic

(74) *Attorney, Agent, or Firm* — Manabu Kanesaka

(57) **CLAIM**

The ornamental design for panel for air-conditioner, as shown and described.

DESCRIPTION

FIG. 1 is a perspective view of a panel for air-conditioner showing my new design;
FIG. 2 is a front view thereof;
FIG. 3 is a rear view thereof;
FIG. 4 is a plan view thereof;
FIG. 5 is a bottom view thereof;
FIG. 6 is a left side view thereof;
FIG. 7 is a right side view thereof; and,
FIG. 8 is a cross-sectional view thereof along the line 8-8 in FIG. 2.

The broken line showing of the panel for air-conditioner is for the purpose of illustrating portions of the article and forms no part of the claimed design.

1 Claim, 2 Drawing Sheets

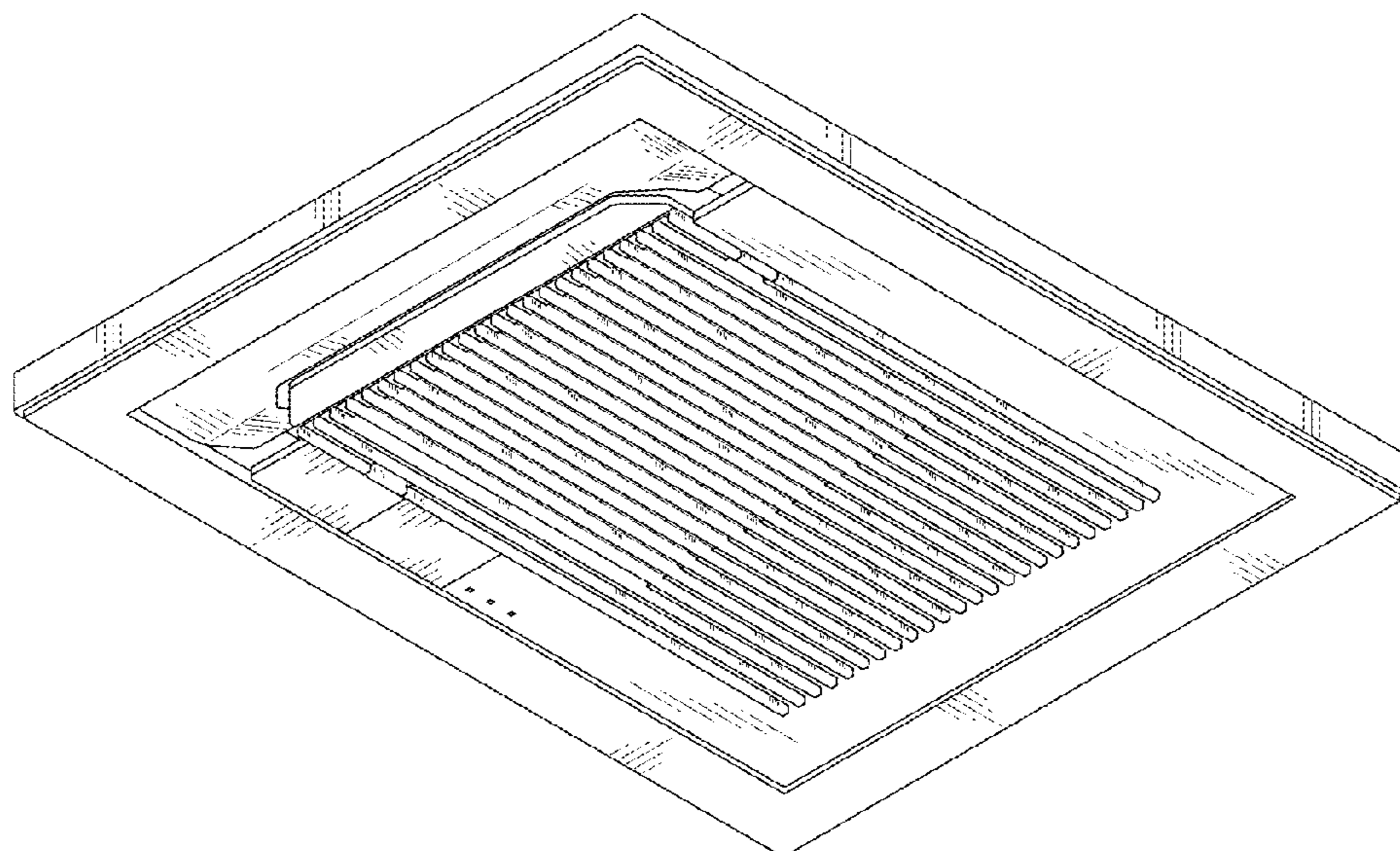


Fig. 1

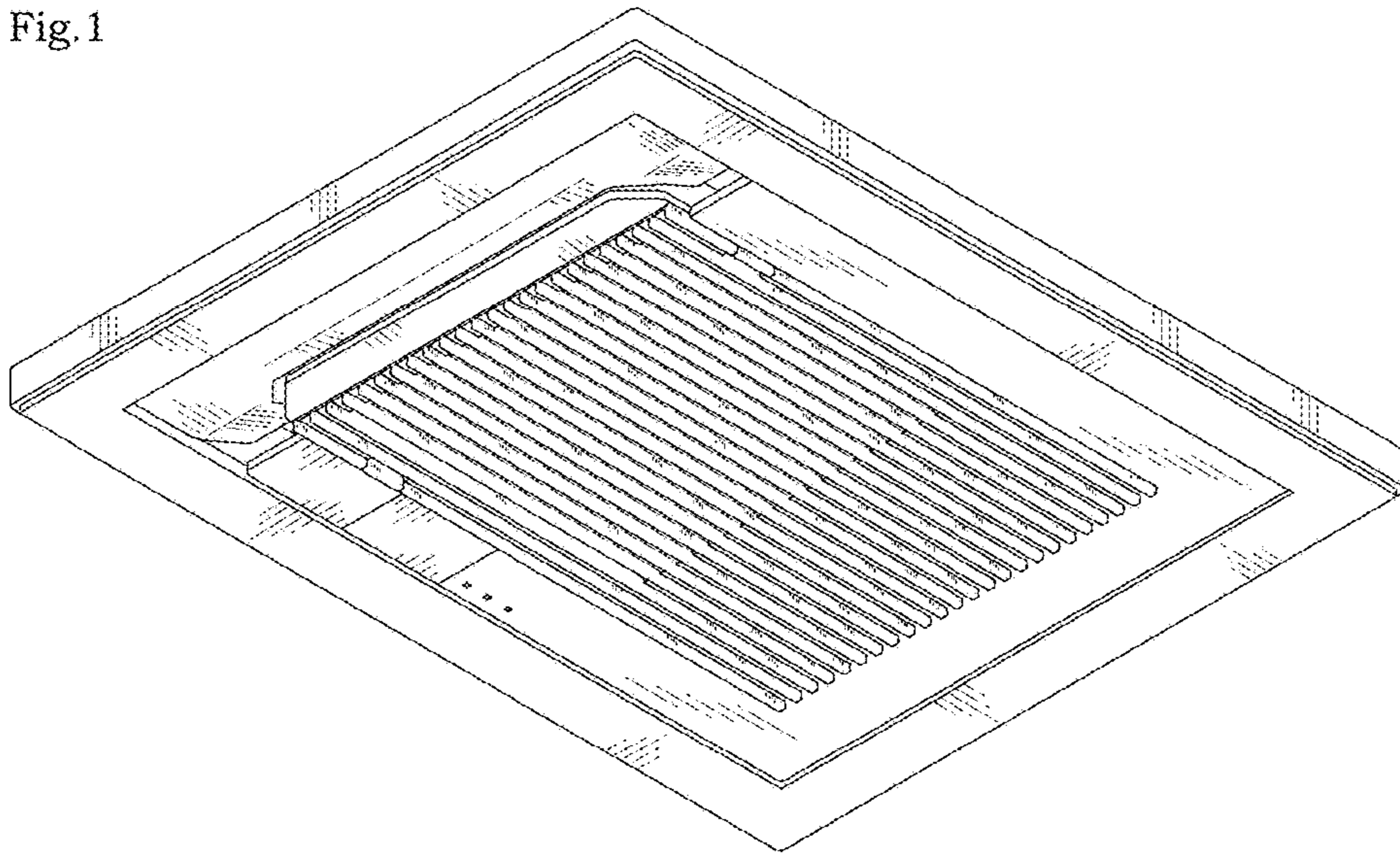


Fig. 2

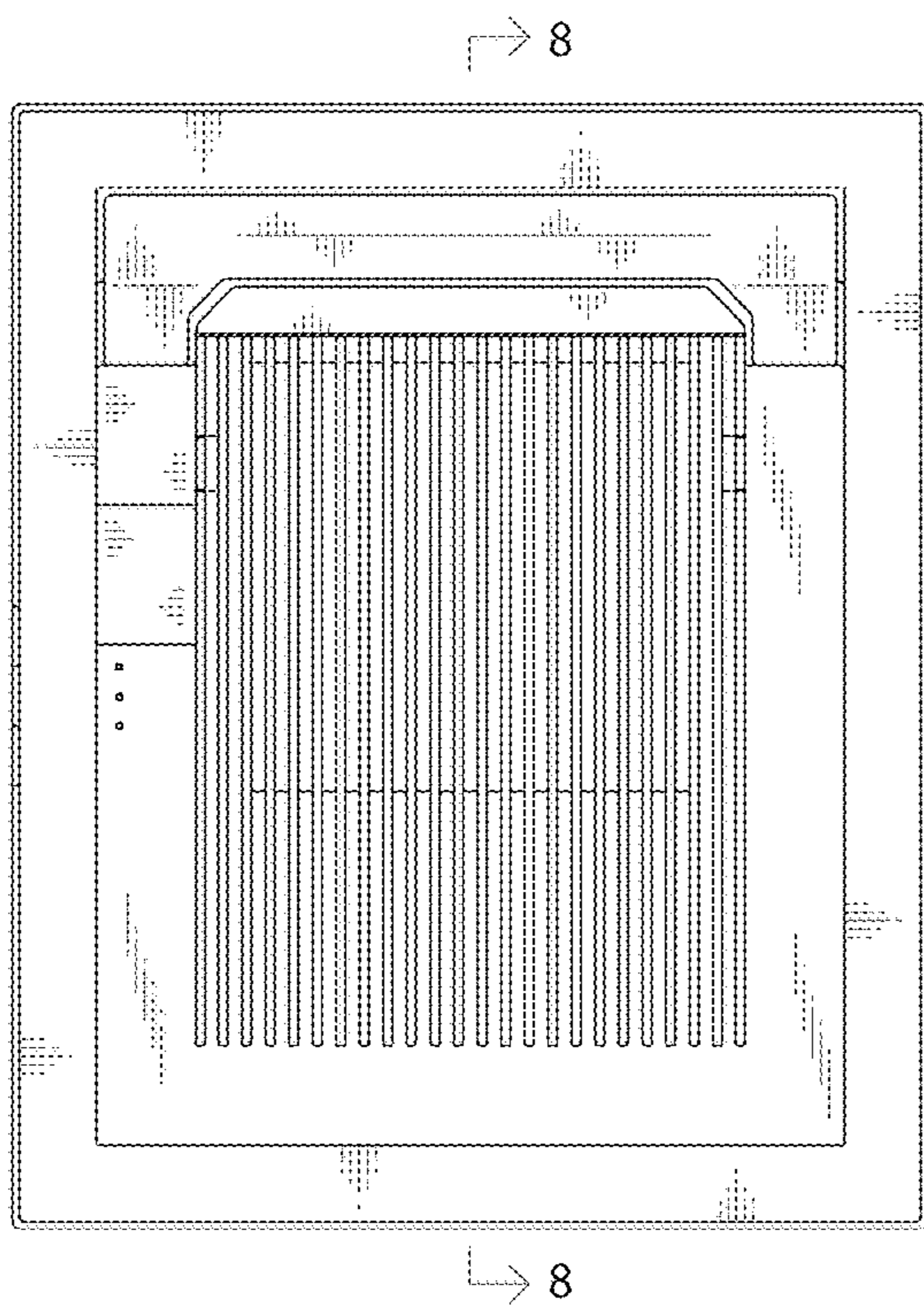


Fig. 3

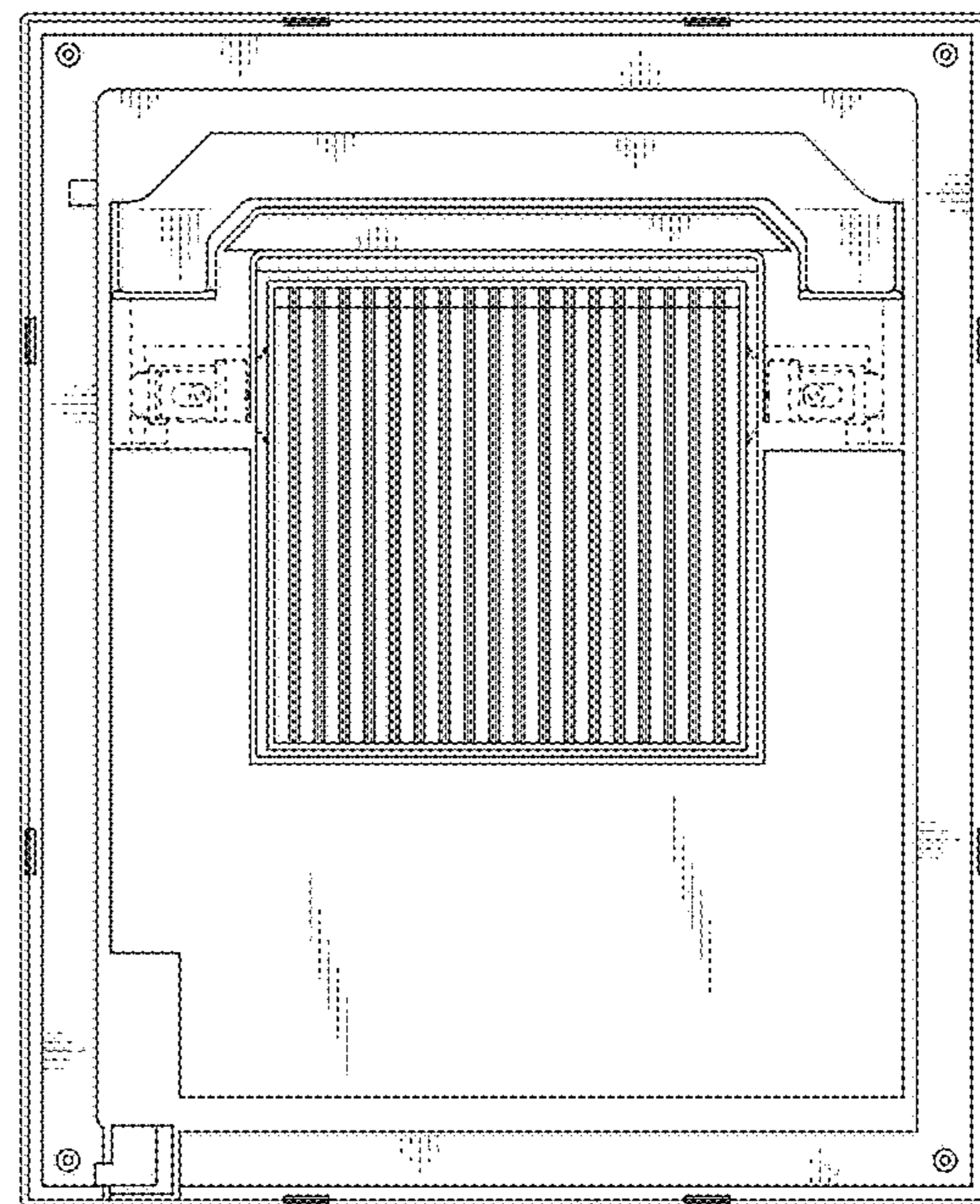


Fig.4

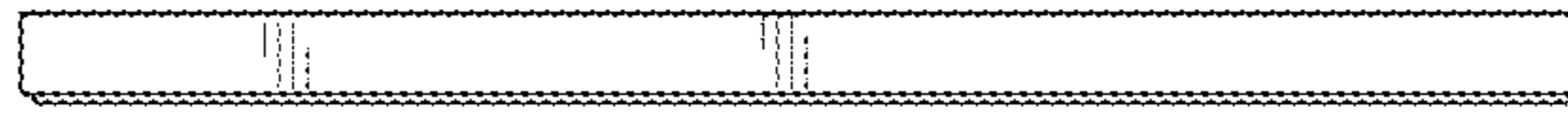


Fig.5

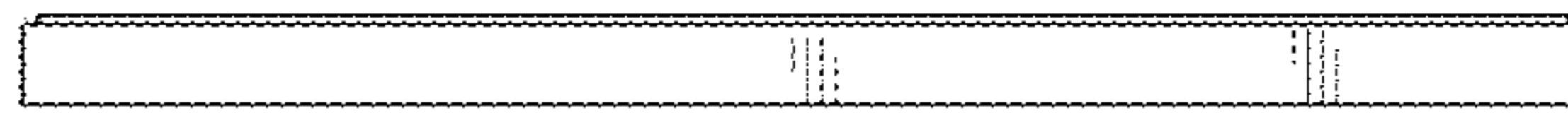


Fig.6



Fig.7



Fig.8

