



US00D849211S

(12) **United States Design Patent**
Yamamoto

(10) **Patent No.:** **US D849,211 S**
(45) **Date of Patent:** **** May 21, 2019**

(54) **SEAL**

(71) Applicant: **NIPPON VALQUA INDUSTRIES, LTD.**, Tokyo (JP)

(72) Inventor: **Takahiro Yamamoto**, Gojo (JP)

(73) Assignee: **VALQUA, LTD.**, Tokyo (JP)

(**) Term: **15 Years**

(21) Appl. No.: **29/645,568**

(22) Filed: **Apr. 27, 2018**

Related U.S. Application Data

(62) Division of application No. 29/571,746, filed on Jul. 21, 2016, now Pat. No. Des. 819,187.

(30) **Foreign Application Priority Data**

Jan. 26, 2016 (JP) 2016-001512
Jan. 26, 2016 (JP) 2016-001513

(Continued)

(51) **LOC (11) Cl.** **23-01**

(52) **U.S. Cl.**
USPC **D23/269**

(58) **Field of Classification Search**
USPC D23/262, 269; 277/351-359, 504,
277/562-563, 572, 361-364, 381-382,
277/394-395, 606, 616, 314; 285/42-50
(Continued)

(56) **References Cited**

U.S. PATENT DOCUMENTS

3,472,523 A * 10/1969 Carlson, Jr. F16J 15/024
277/649
3,576,330 A * 4/1971 Gard F16J 15/125
277/654

(Continued)

FOREIGN PATENT DOCUMENTS

JP 550768 S 3/1981
JP 1200028 S 3/2004

(Continued)

OTHER PUBLICATIONS

Japanese Office Action dated Nov. 14, 2016 issued in Japanese counterpart application No. 2016-001512, with English translation.
(Continued)

Primary Examiner — Eric L Goodman

Assistant Examiner — Amy C Wierenga

(74) *Attorney, Agent, or Firm* — Dickinson Wright PLLC

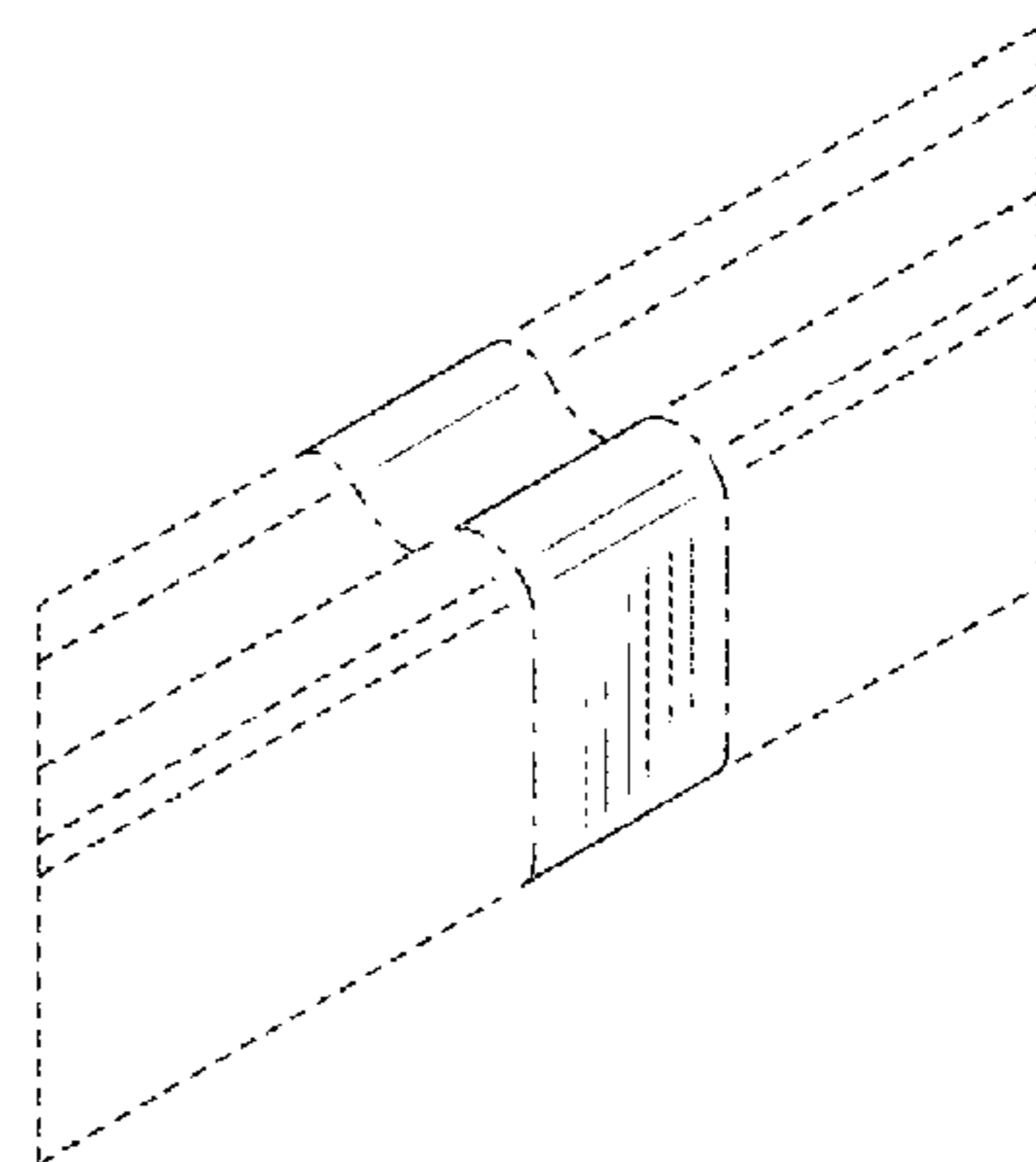
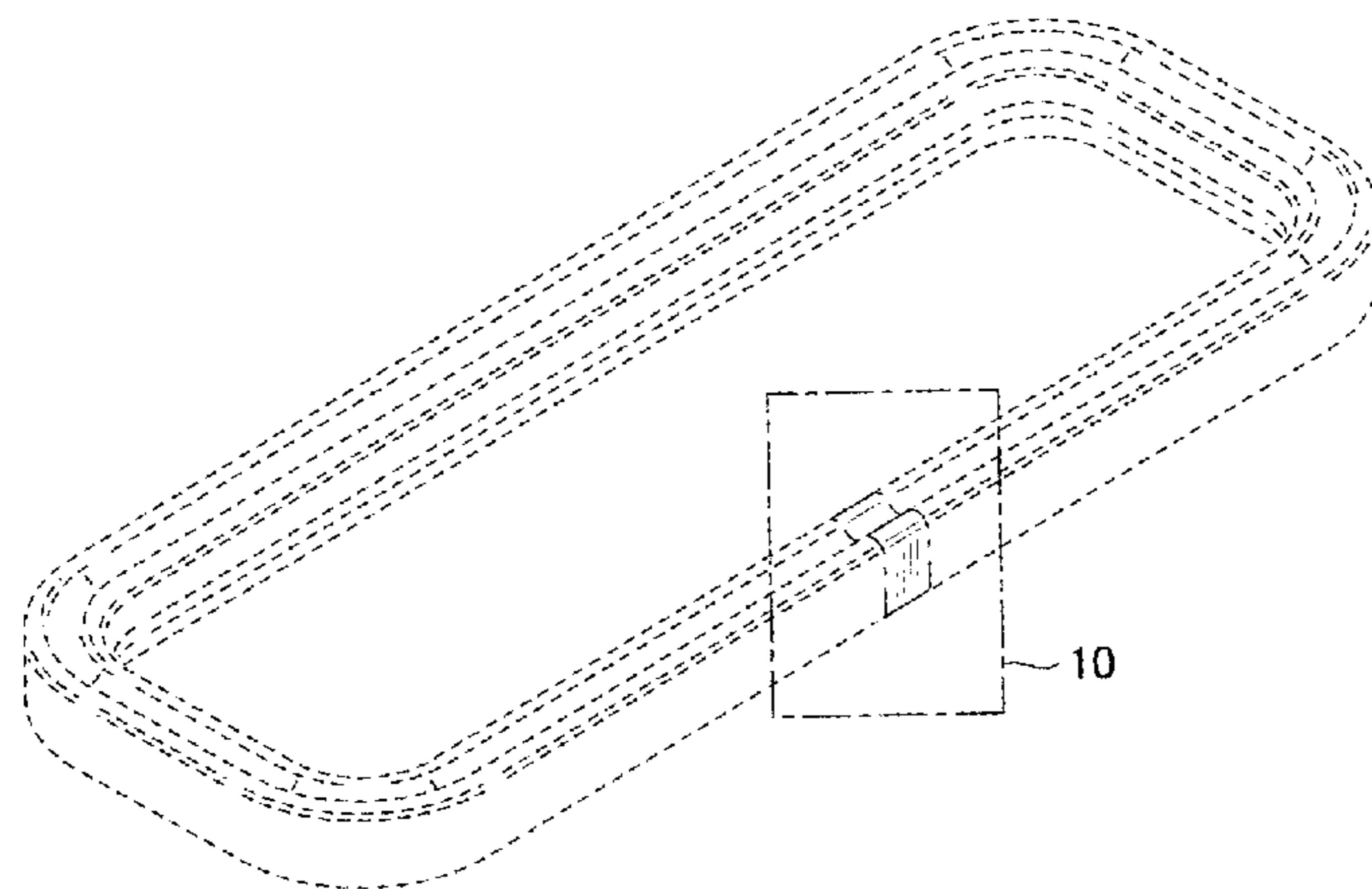
(57) **CLAIM**

The ornamental design for a seal, as shown and described.

DESCRIPTION

FIG. 1 is a perspective view of a seal showing my new design;
FIG. 2 is a front view thereof;
FIG. 3 is a back view thereof;
FIG. 4 is a top view thereof;
FIG. 5 is a bottom view thereof;
FIG. 6 is a right side view thereof;
FIG. 7 is a left side view thereof;
FIG. 8 is cross-sectional view of the portion 8-8 of FIG. 4.
FIG. 9 is an enlarged cross-sectional view of the portion 9-9 of FIG. 8;
FIG. 10 is an enlarged view of the section 10 of FIG. 1; and,
FIG. 11 is an enlarged view of the section 11 of FIG. 2.
The dash-dot broken lines represent the boundaries of the claim that form no part of the claim. The evenly spaced dashed broken lines illustrate portions of the seal that form no part of the claim.

1 Claim, 3 Drawing Sheets



(30) Foreign Application Priority Data

Jan. 26, 2016 (JP) 2016-001514
 Jan. 26, 2016 (JP) 2016-001515

(58) Field of Classification Search

CPC E04D 13/1406; E04D 13/1407;
 F16J 15/106; F16J 15/164
 See application file for complete search history.

(56) References Cited

U.S. PATENT DOCUMENTS

4,570,944 A * 2/1986 Traub F16J 15/56
 277/572
 5,536,018 A * 7/1996 Szott F16J 15/104
 277/313
 5,692,758 A 12/1997 Wikstrom
 D517,679 S 3/2006 Stout et al.
 D633,991 S 3/2011 Nakagawa
 D638,523 S * 5/2011 Yoshida D23/269
 D646,764 S * 10/2011 Rusconi D23/269
 D655,401 S 3/2012 Muramatsu
 D655,797 S 3/2012 Muramatsu
 D692,391 S 10/2013 Kim
 8,608,856 B2 * 12/2013 Hayashi F16J 15/104
 118/733
 8,888,106 B2 * 11/2014 Hamade F16J 15/104
 277/626
 D737,415 S * 8/2015 Sato D23/269
 D743,513 S * 11/2015 Yamagishi D23/269
 D754,308 S * 4/2016 Nakagawa D23/269

D755,356 S 5/2016 Vaseleniuck et al.
 D776,529 S * 1/2017 Torrison D9/435
 D785,144 S * 4/2017 Kitagawa D23/269
 D818,089 S * 5/2018 Kim D23/269
 D819,187 S * 5/2018 Yamamoto D23/269
 D821,552 S * 6/2018 Nakagawa D23/269
 D822,181 S * 7/2018 Nakagawa D23/269
 10,072,776 B2 * 9/2018 Kocourek F16J 15/062
 2003/0160452 A1 8/2003 Mattsson et al.
 2009/0045371 A1 2/2009 Kamibayashiyama
 2009/0289450 A1 11/2009 Bluhm
 2014/0175310 A1 6/2014 Coppola et al.
 2015/0184761 A1 7/2015 Kusakabe
 2017/0211706 A1 7/2017 Amir et al.

FOREIGN PATENT DOCUMENTS

JP 2005-036926 A 2/2005
 JP 1275000 S 6/2006
 JP 1275345 S 6/2006
 JP 2012-132476 A 7/2012

OTHER PUBLICATIONS

Japanese Office Action dated Nov. 14, 2016 issued in Japanese counterpart application No. 2016-001513, with English translation.
 Japanese Office Action dated Nov. 14, 2016 issued in Japanese counterpart application No. 2016-001514, with English translation.
 Japanese Office Action dated Nov. 14, 2016 issued in Japanese counterpart application No. 2016-001515, with English translation.

* cited by examiner

FIG.1

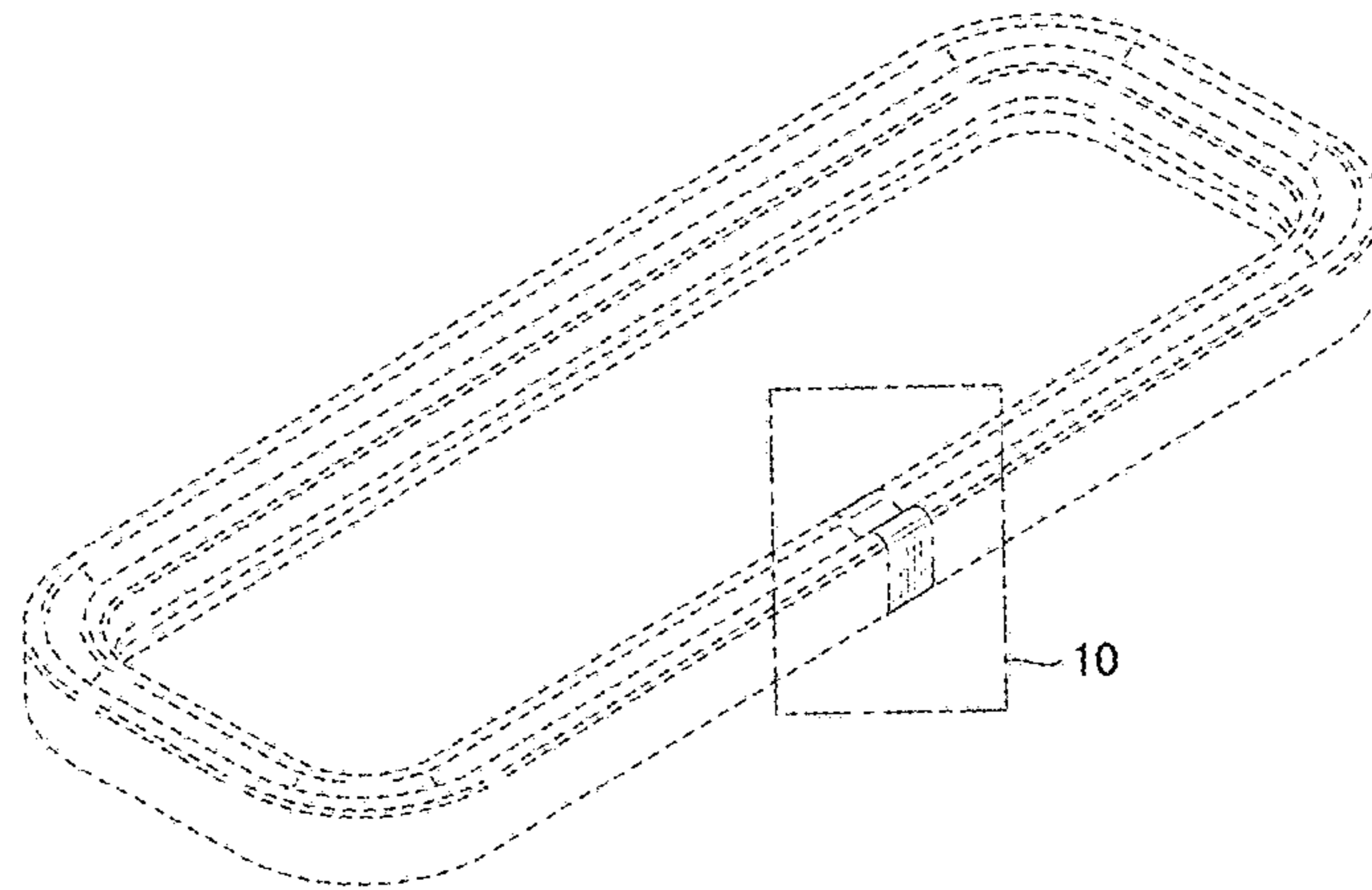


FIG.2

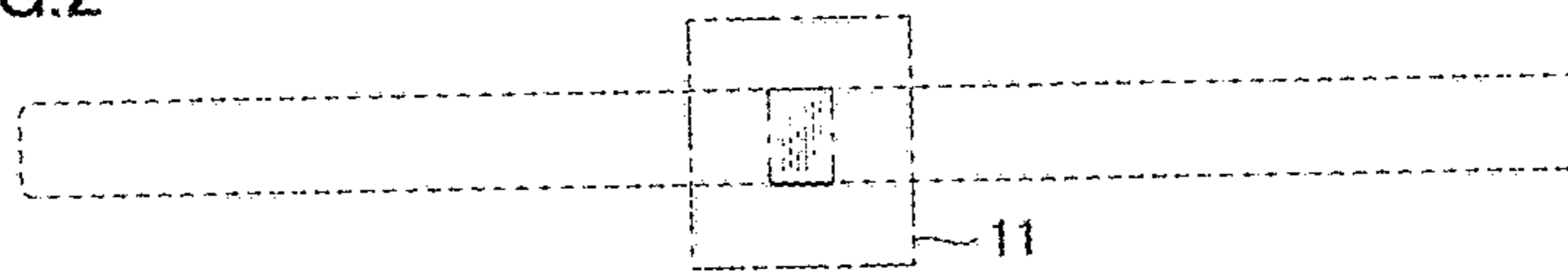


FIG.3

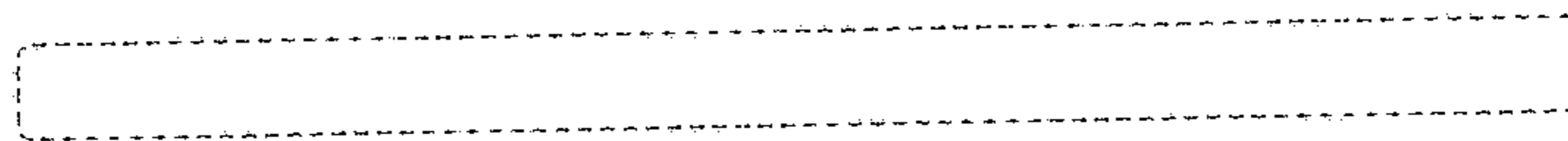


FIG.4

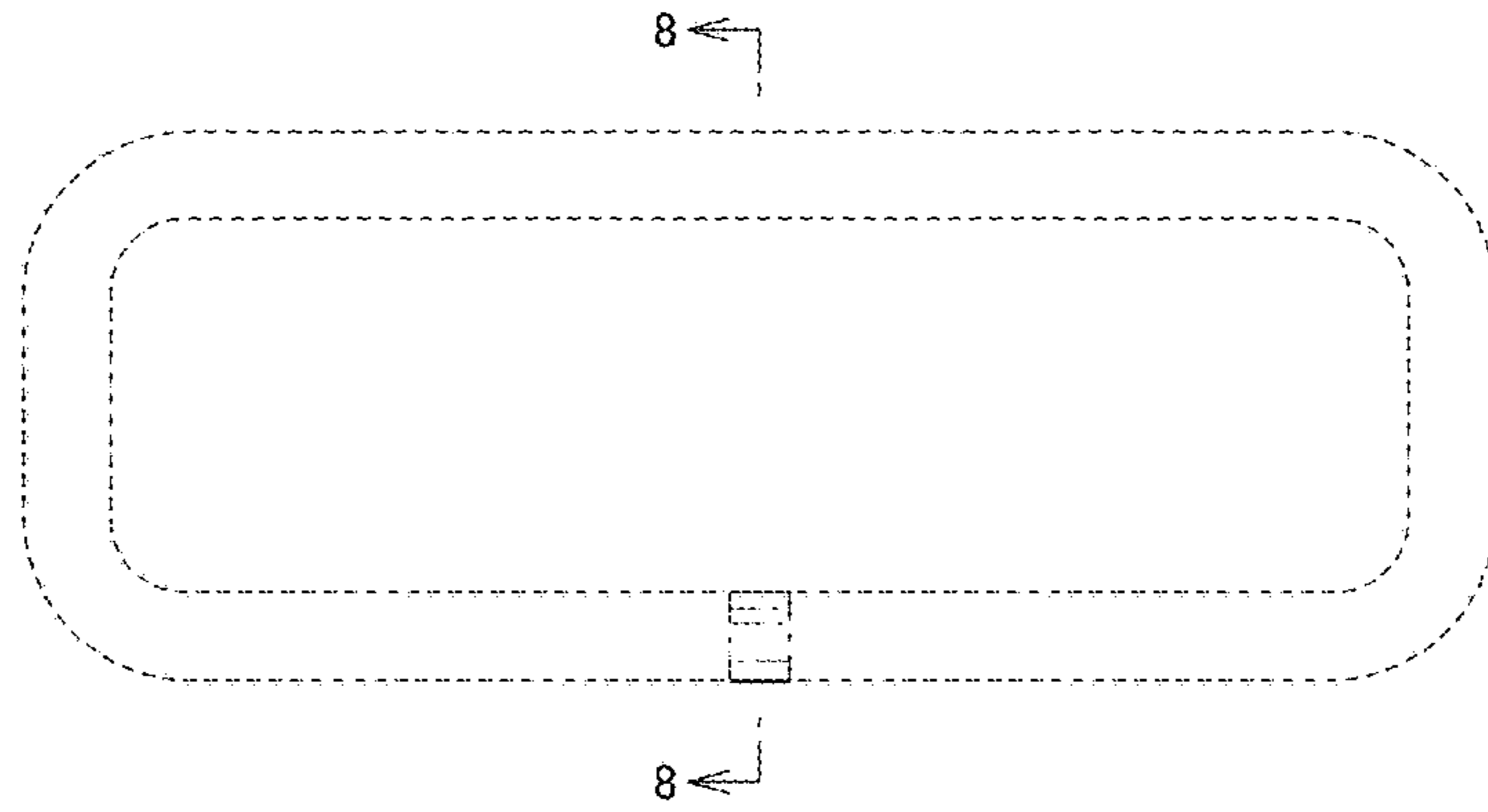


FIG.5

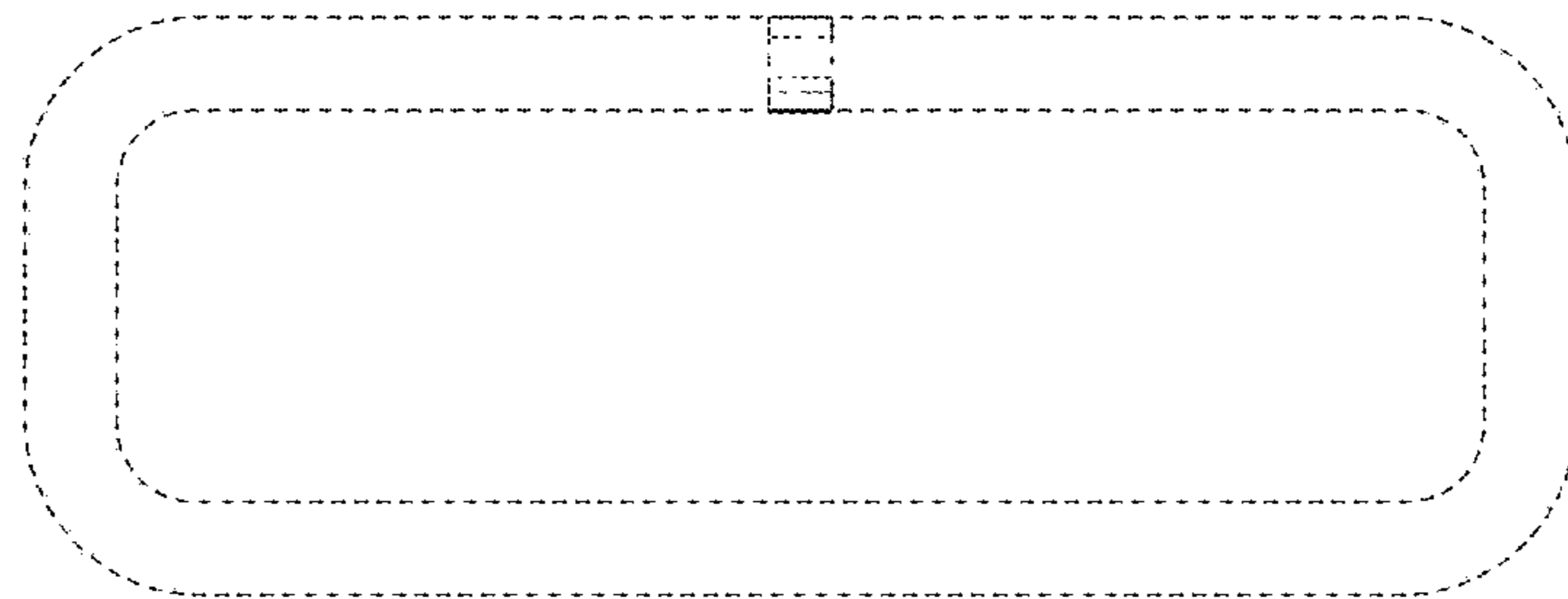


FIG.6



FIG.7



FIG.8

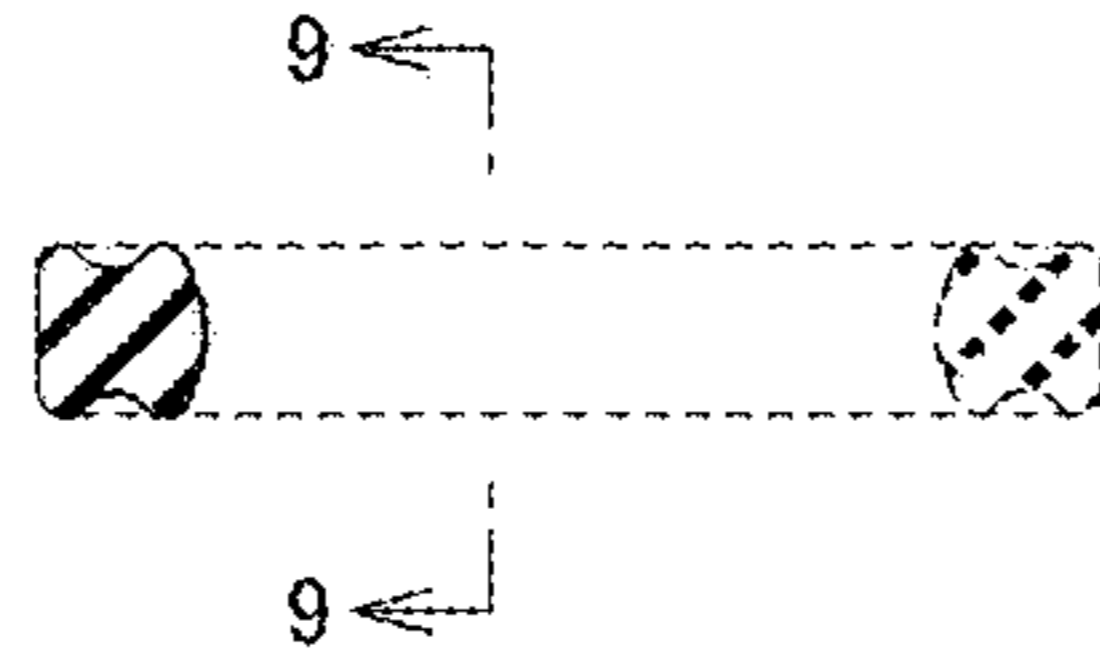


FIG.9

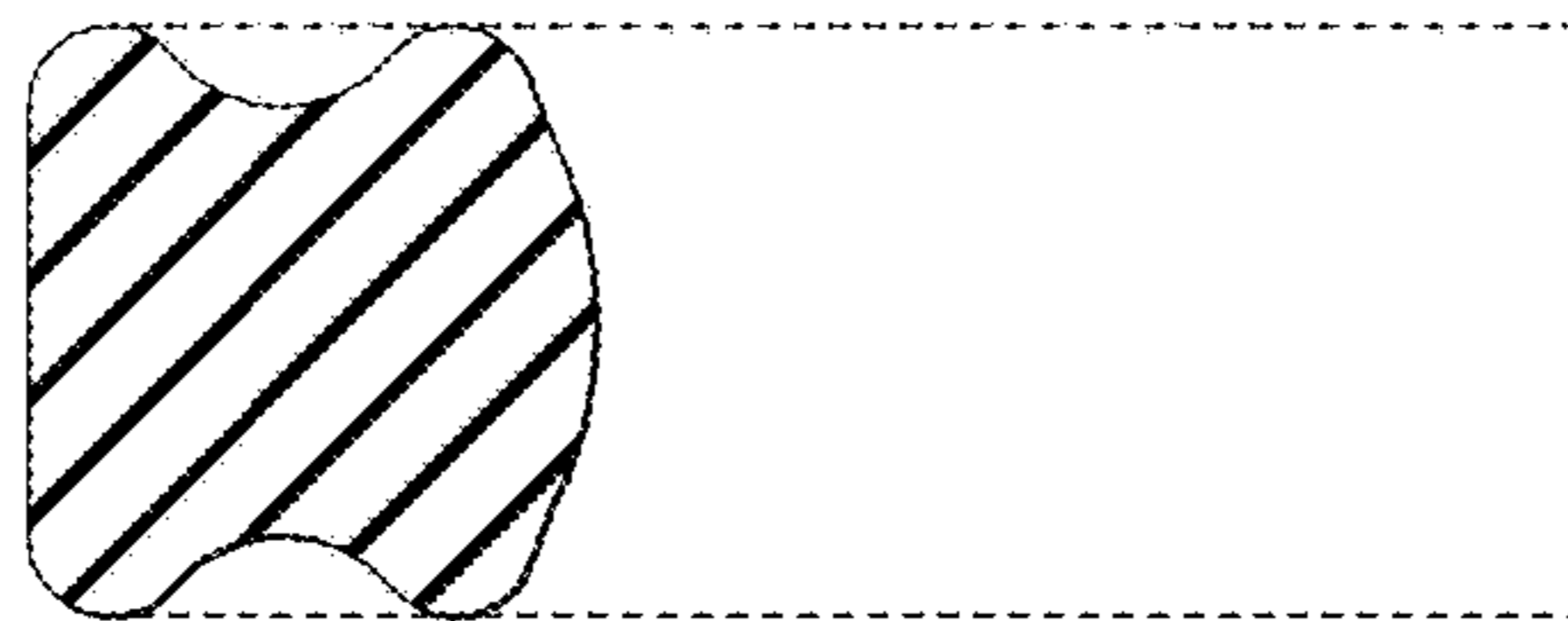


FIG.10

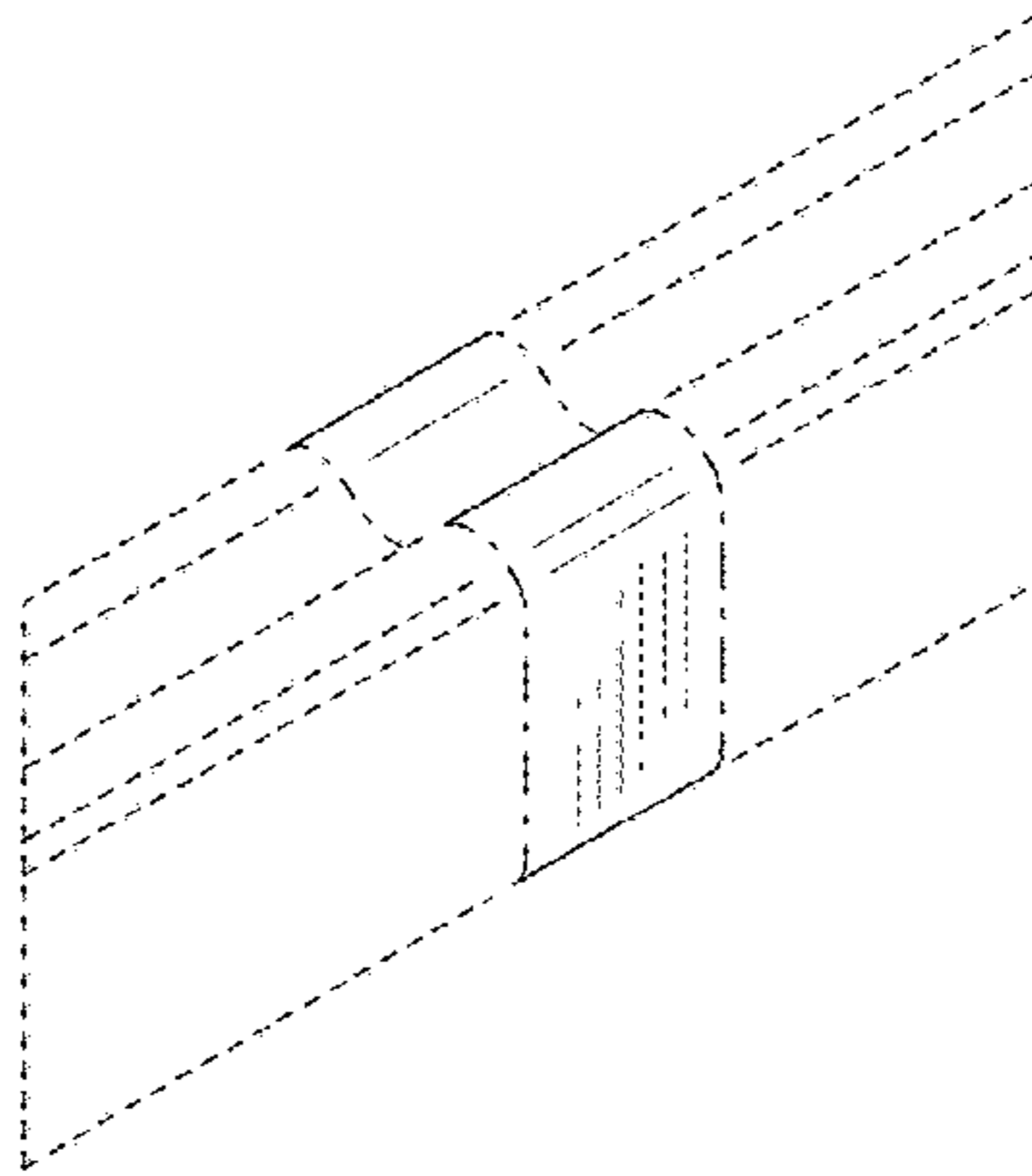


FIG.11

