



US00D849209S

(12) **United States Design Patent** (10) **Patent No.:** **US D849,209 S**  
**Sapara, Jr.** (45) **Date of Patent:** **\*\* May 21, 2019**

(54) **CHEMISTRY DELIVERY DEVICE**

(71) Applicant: **Blackhawk Tool & Machine, LLC,**  
Perrysburg, OH (US)

(72) Inventor: **Michael A. Sapara, Jr.,** Oregon, OH  
(US)

(73) Assignee: **Blackhawk Tool & Machine, LLC,**  
Perrysburg, OH (US)

(\*\*) Term: **15 Years**

(21) Appl. No.: **29/583,752**

(22) Filed: **Nov. 8, 2016**

(51) **LOC (11) Cl.** ..... **23-01**

(52) **U.S. Cl.**  
USPC ..... **D23/261; D23/207**

(58) **Field of Classification Search**  
USPC ..... D23/207–208, 259–261, 268; 210/153,  
210/163–166, 167.1, 167.11, 198.1, 206,  
210/209, 212; 43/131; 4/222, 222.1,  
4/227.5, 286, 289, 292, 294, 309, 679,  
4/681

CPC . A01M 1/20; A01M 29/12; E03C 1/26; E03C  
1/264

See application file for complete search history.

(56) **References Cited**

**U.S. PATENT DOCUMENTS**

- 1,880,962 A \* 10/1932 Koppelman ..... E03D 9/032  
4/309
- D280,757 S \* 9/1985 Paulovich ..... D23/207
- 5,019,346 A \* 5/1991 Richter ..... A61L 2/18  
134/22.14
- 6,927,199 B2 \* 8/2005 Takemura ..... A01N 25/34  
4/222
- D612,914 S \* 3/2010 Morad ..... D23/261
- D623,719 S \* 9/2010 Lees ..... D23/207
- 7,922,982 B1 \* 4/2011 Brennan ..... C02F 1/688  
210/167.11

- D826,373 S \* 8/2018 Kisner ..... D23/208
- 2006/0124519 A1 \* 6/2006 Glazik ..... E03F 1/00  
210/163
- 2012/0267296 A1 \* 10/2012 Epstein ..... C02F 1/68  
210/163

(Continued)

**OTHER PUBLICATIONS**

Eco Drain Kitchen Pack, Amazon, <https://www.amazon.com/Eco-Drain-Kitchen-Pak/dp/B075R26QST> First Available Sep. 18, 2017, [Visited Online Sep. 17, 2018].\*

(Continued)

*Primary Examiner* — Eric L Goodman

*Assistant Examiner* — Amy C Wierenga

(74) *Attorney, Agent, or Firm* — McKee, Voorhees & Sease, PLC

(57) **CLAIM**

I claim the ornamental design for a chemistry delivery device, as shown and described.

**DESCRIPTION**

FIG. 1 is a top perspective view of a chemistry delivery device;

FIG. 2 is a bottom perspective view of the chemistry delivery device of FIG. 1;

FIG. 3 is a perspective view of a chemistry delivery device of FIG. 1 shown in a position of use with a puck-shaped chemistry within the device;

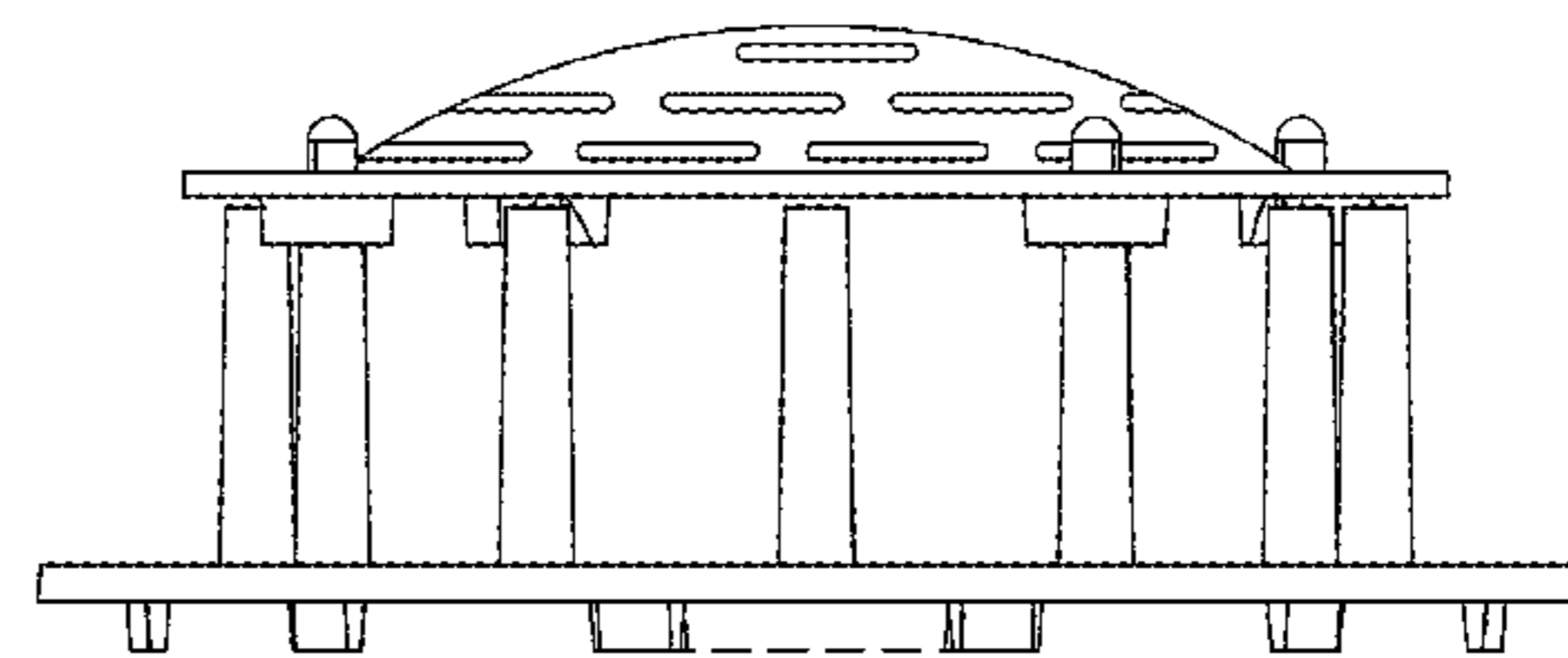
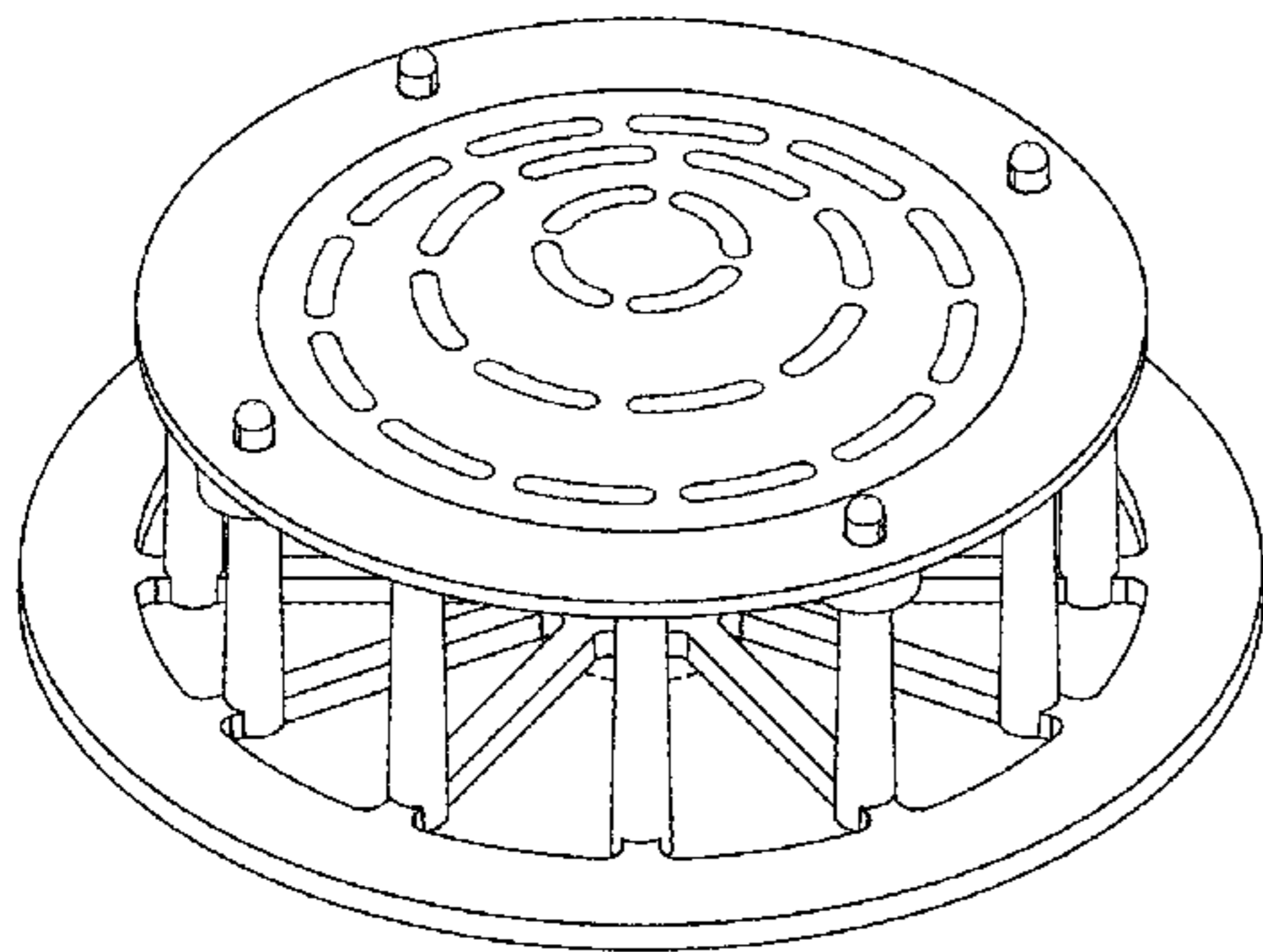
FIG. 4 is a top view of the chemistry delivery device of FIG. 1;

FIG. 5 is a bottom view of the chemistry delivery device of FIG. 1; and,

FIG. 6 is a side view of the chemistry delivery device of FIG. 1.

The dashed broken lines depict portions of the chemistry delivery device that form no part of the claim.

**1 Claim, 3 Drawing Sheets**



(56)

**References Cited**

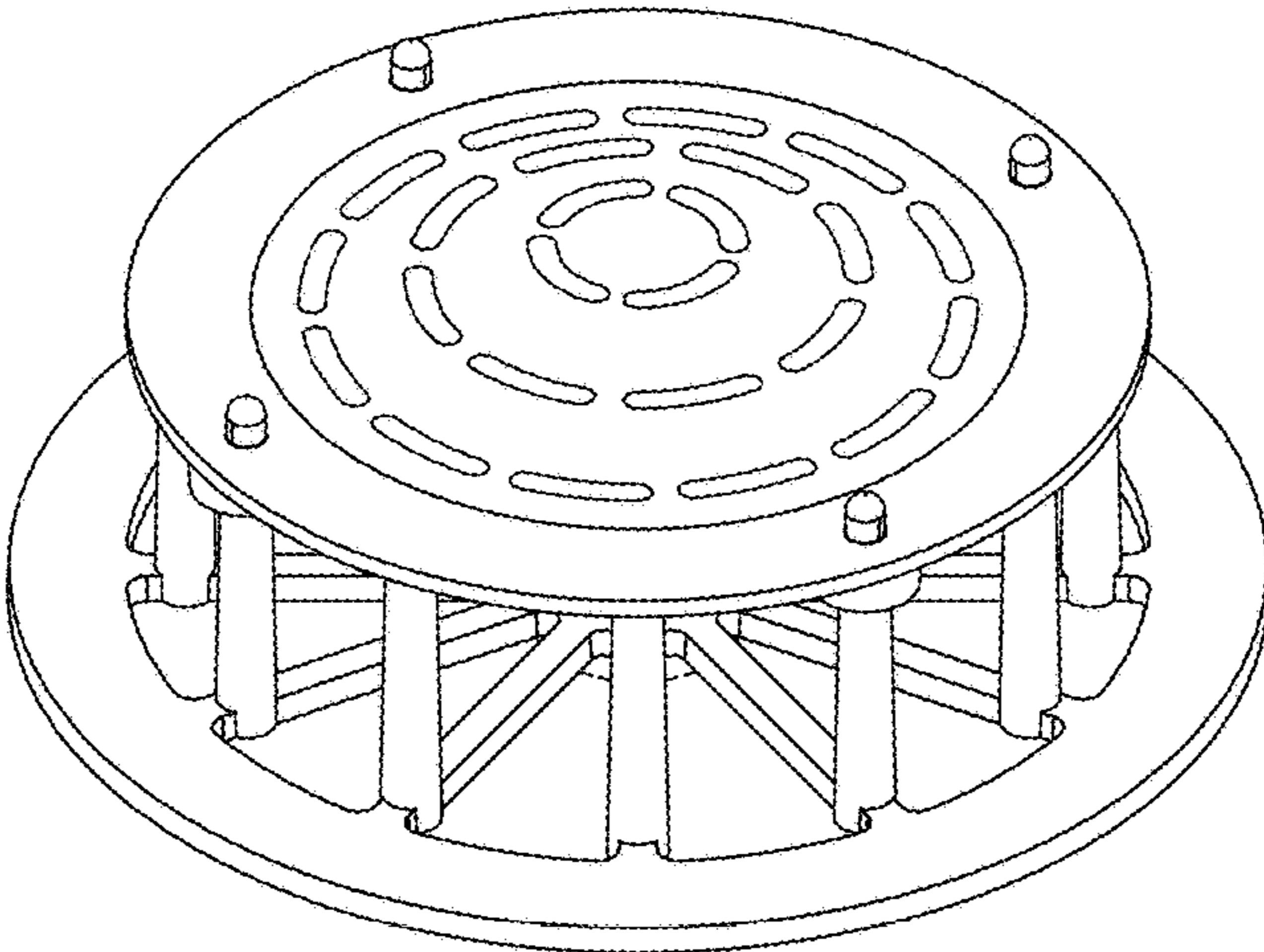
U.S. PATENT DOCUMENTS

2015/0000183 A1\* 1/2015 Sapara, Jr. .... A01M 29/12  
43/131  
2016/0215483 A1\* 7/2016 Landon ..... E03C 1/126  
2016/0244955 A1\* 8/2016 Allred, III ..... E03C 1/126

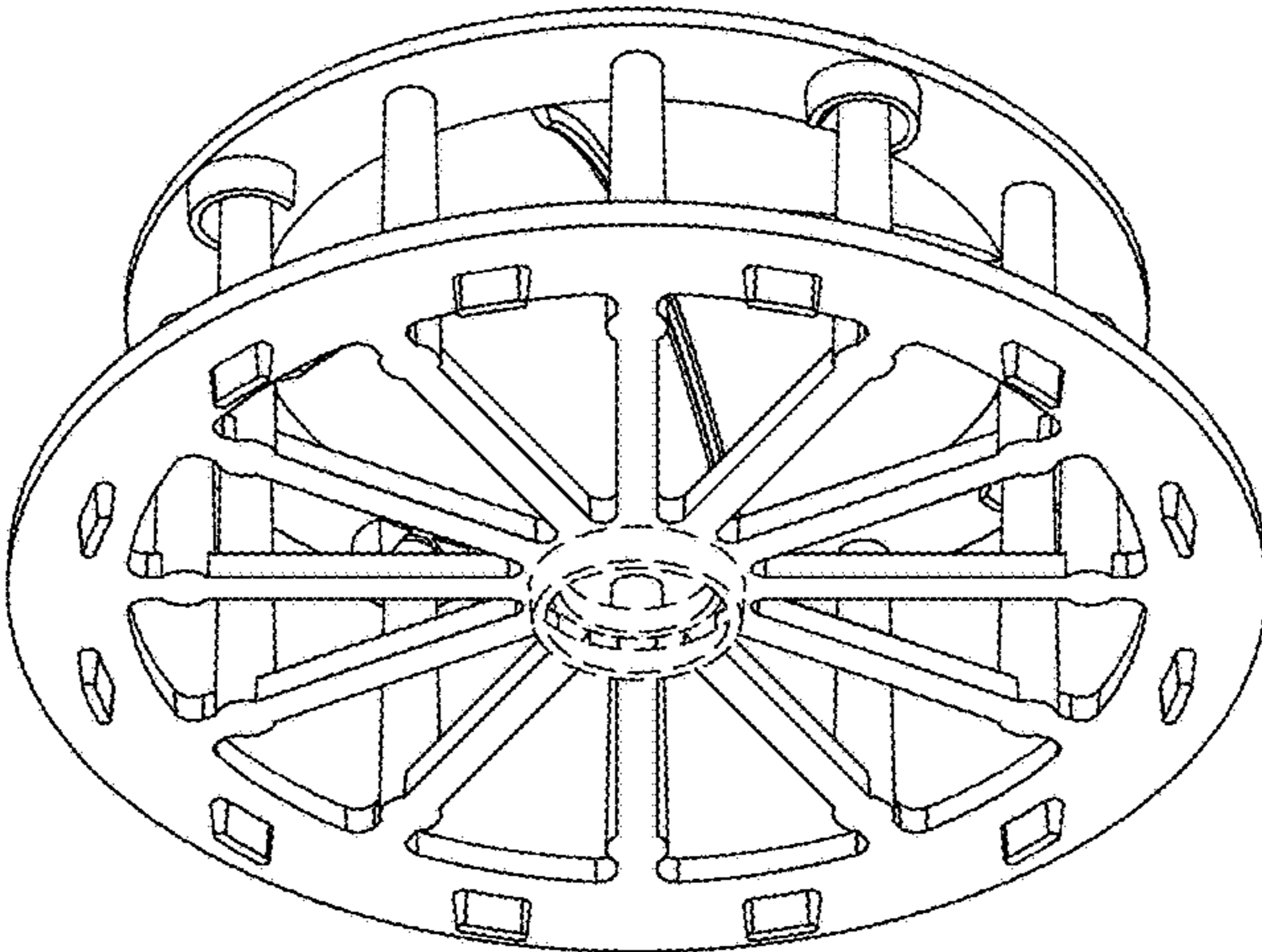
OTHER PUBLICATIONS

Floorsink Defender, DrainNet Technologies, <https://www.drain-tech.com/drains/pure-drain-defender/floorsink-defender-puck-with-plastic-dome/> Website copyright 2018, [Visited Online Sep. 17, 2018].\*  
Eco Drain System Sink Ball Overview and Installation Video, YouTube, <https://www.youtube.com/watch?v=qD3mX7rlcy8> Published on Jan 7, 2014, [Visited Online Sep. 17, 2018].\*

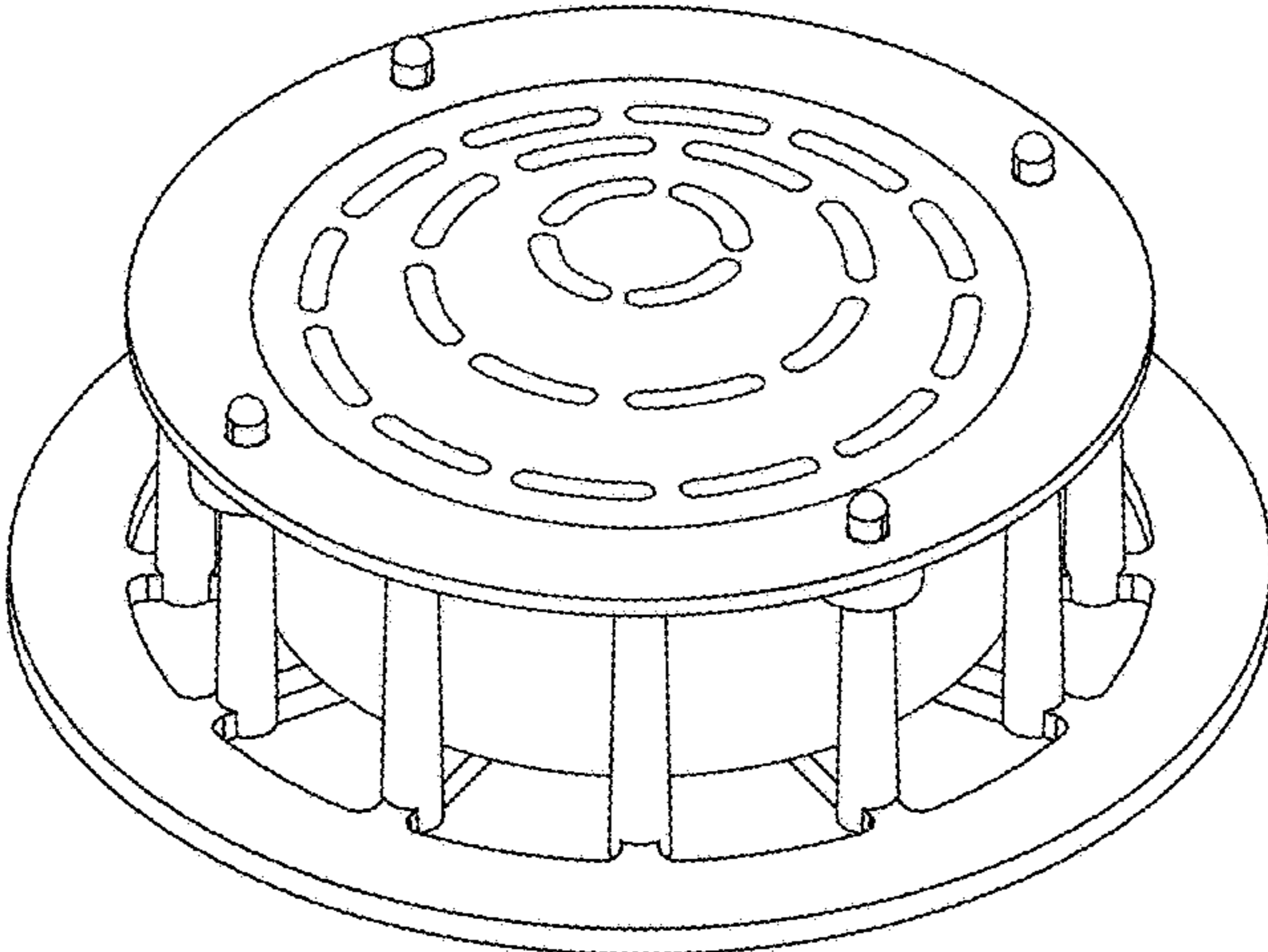
\* cited by examiner



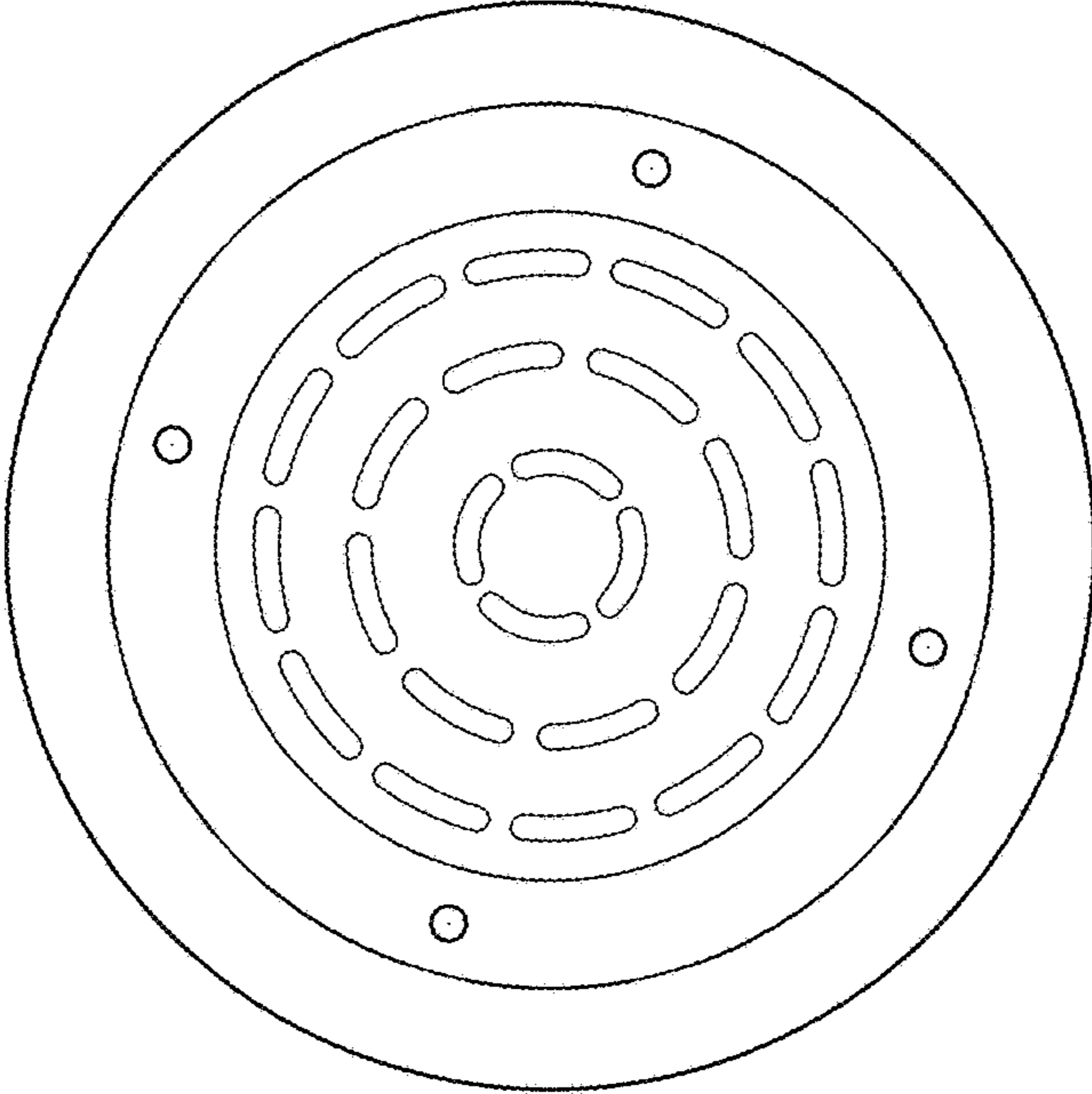
*Fig. 1*



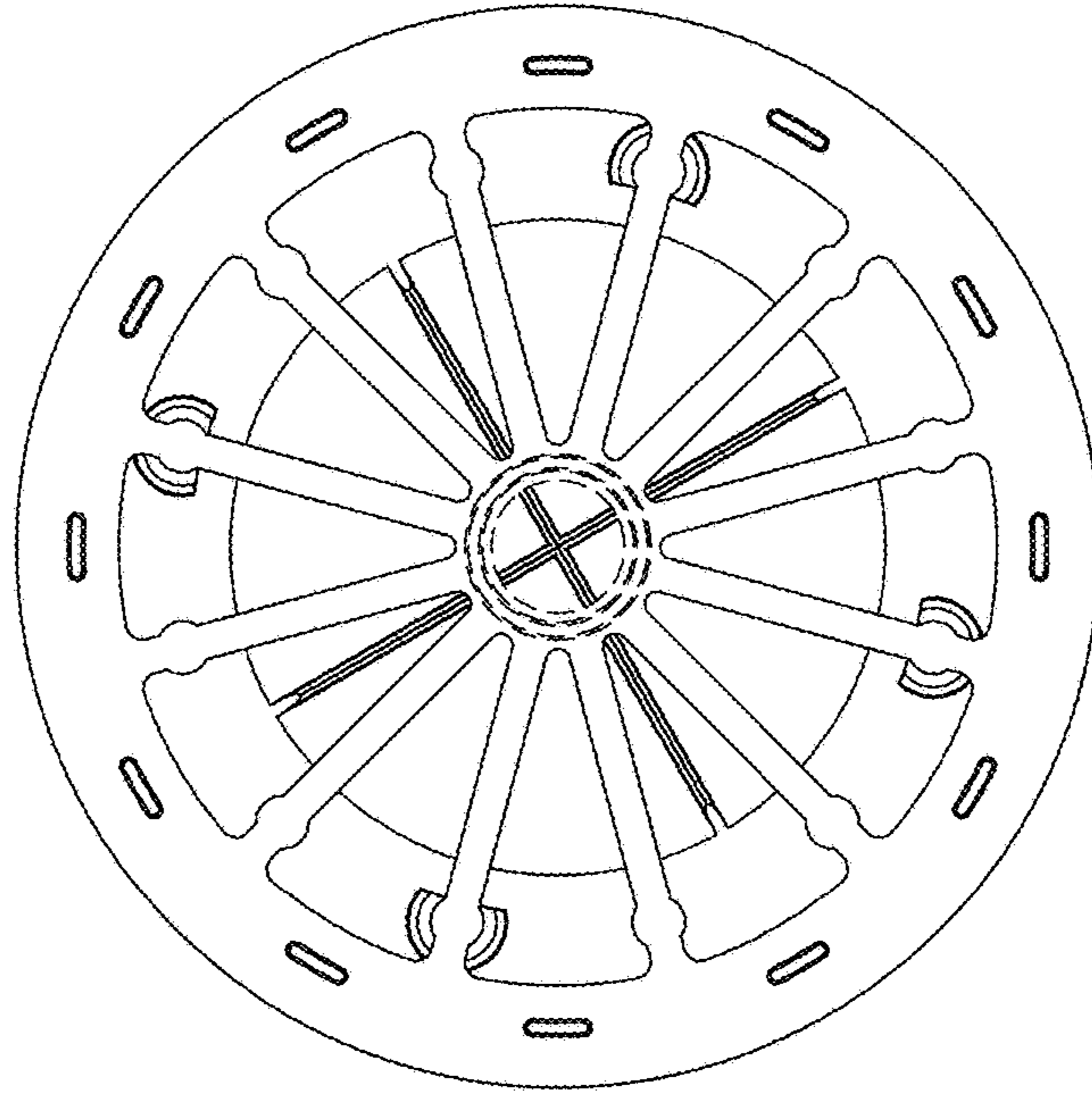
*Fig. 2*



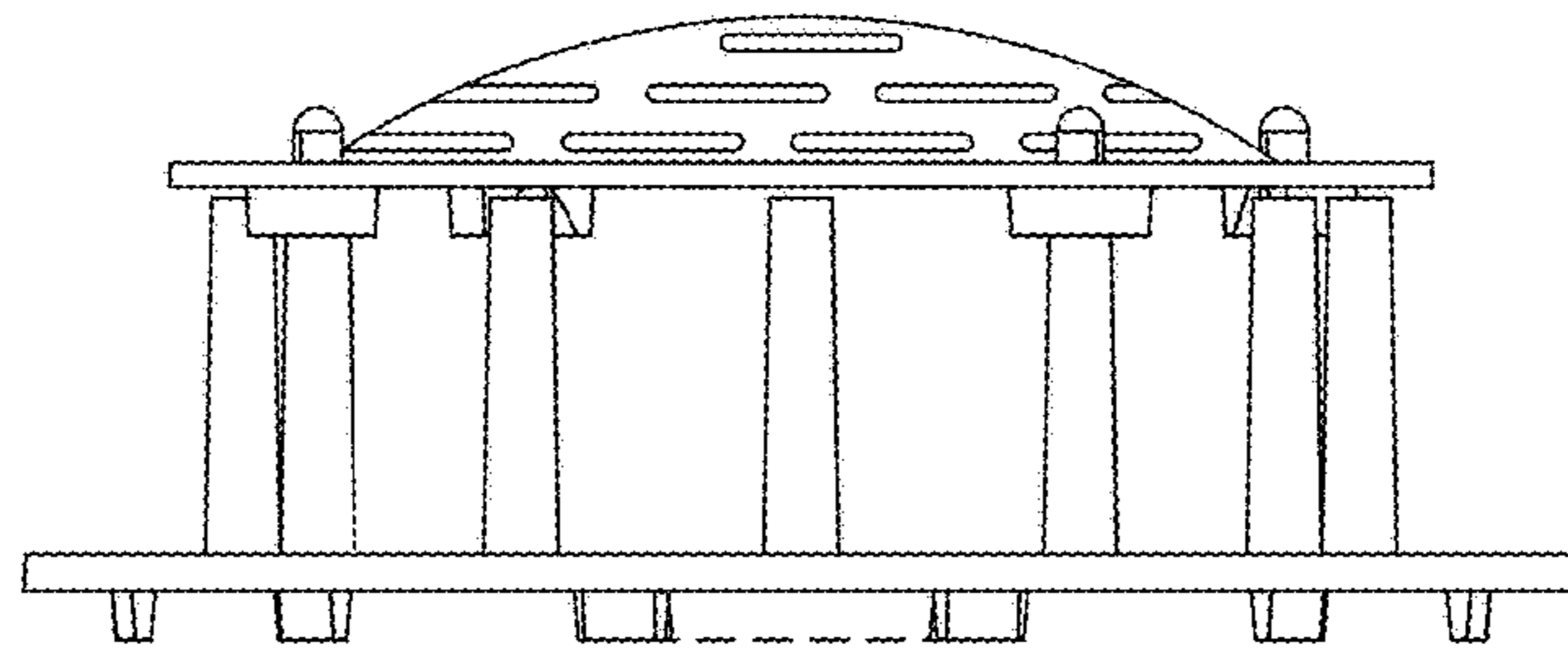
*Fig. 3*



*Fig. 4*



*Fig. 5*



*Fig. 6*