



US00D849208S

(12) **United States Design Patent**
Chen

(10) **Patent No.:** **US D849,208 S**

(45) **Date of Patent:** **** May 21, 2019**

(54) **FAUCET**

(71) Applicant: **Hui Chen**, Ruian (CN)

(72) Inventor: **Hui Chen**, Ruian (CN)

(**) Term: **15 Years**

(21) Appl. No.: **29/658,707**

(22) Filed: **Aug. 2, 2018**

(51) **LOC (11) Cl.** **23-01**

(52) **U.S. Cl.**
USPC **D23/256**; D23/238

(58) **Field of Classification Search**
USPC D23/238-243, 249, 250, 252, 254-255,
D23/257, 245; D08/300; D7/394, 622,
D7/709, 319, 312, 317, 321; D9/797,
D9/545, 435

CPC Y10T 137/9464
See application file for complete search history.

(56) **References Cited**

U.S. PATENT DOCUMENTS

D287,395 S *	12/1986	Piesco	D23/255
D349,331 S *	8/1994	Bollenbacher	D23/257
D412,560 S *	8/1999	Kuo	D23/238
D458,666 S *	6/2002	Mark	D23/238
D504,937 S *	5/2005	Green	D23/252
D516,684 S *	3/2006	Ouyoung	D23/238

D524,923 S *	7/2006	Gilbert	D23/255
D677,761 S *	3/2013	Lord	D23/255
D685,060 S *	6/2013	Yu	D23/238
D705,400 S *	5/2014	Georgeson	D23/252
D717,401 S *	11/2014	Fritz	D23/238
D827,106 S *	8/2018	Rexach	D23/255

* cited by examiner

Primary Examiner — Robert A Delehanty

(74) *Attorney, Agent, or Firm* — Wayne. V. Harper

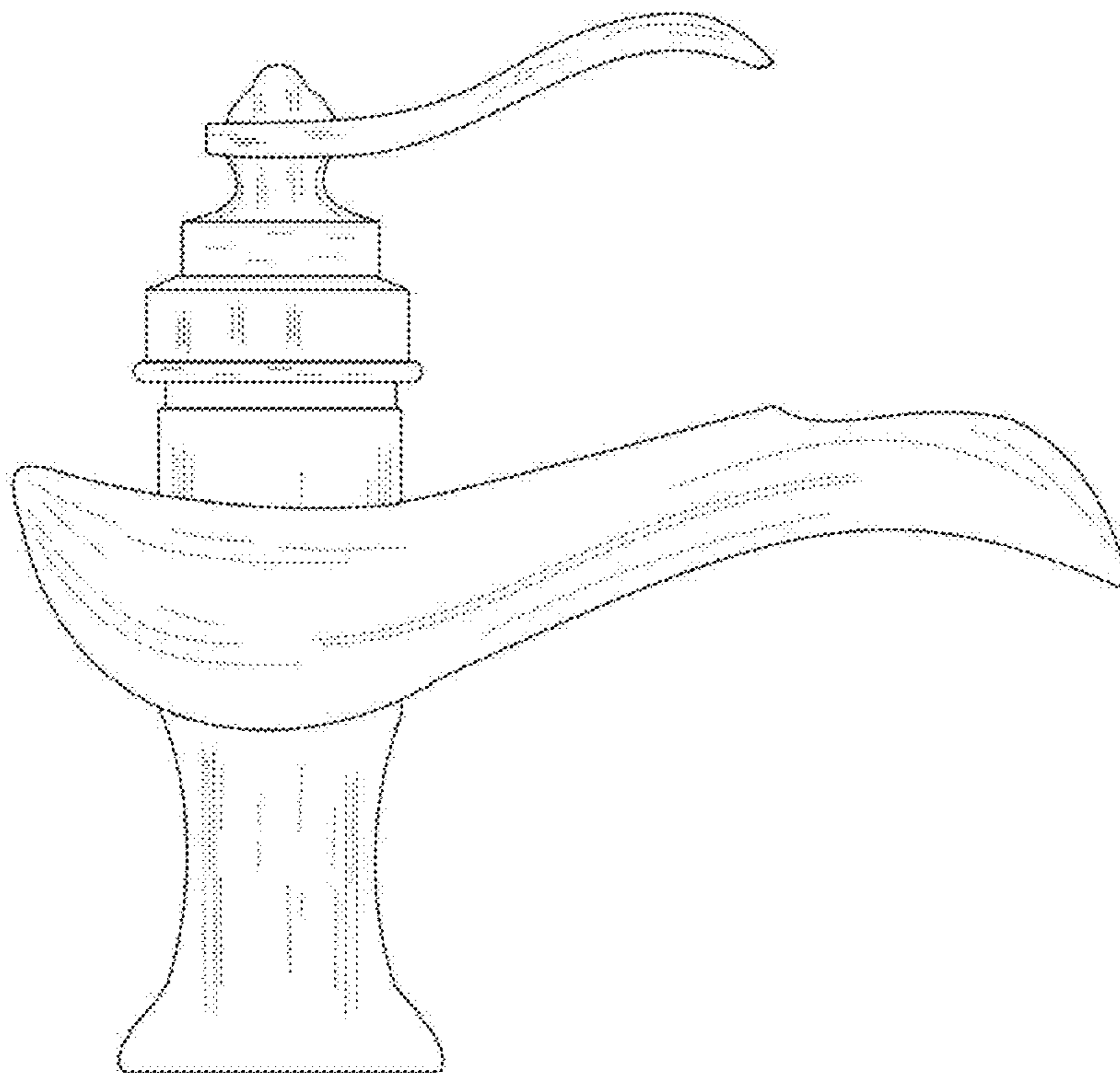
(57) **CLAIM**

The ornamental design for a faucet, as shown and described.

DESCRIPTION

FIG. 1 is a front view of a faucet showing my new design;
FIG. 2 is a rear view thereof;
FIG. 3 is a left side view thereof;
FIG. 4 is a right side view thereof;
FIG. 5 is a top view thereof; and
FIG. 6 is a bottom view thereof;
FIG. 7 is a first perspective view thereof; and,
FIG. 8 is a second perspective view thereof.
The broken lines in the drawings illustrate portions of the
faucet which form no part of the claimed design.

1 Claim, 8 Drawing Sheets



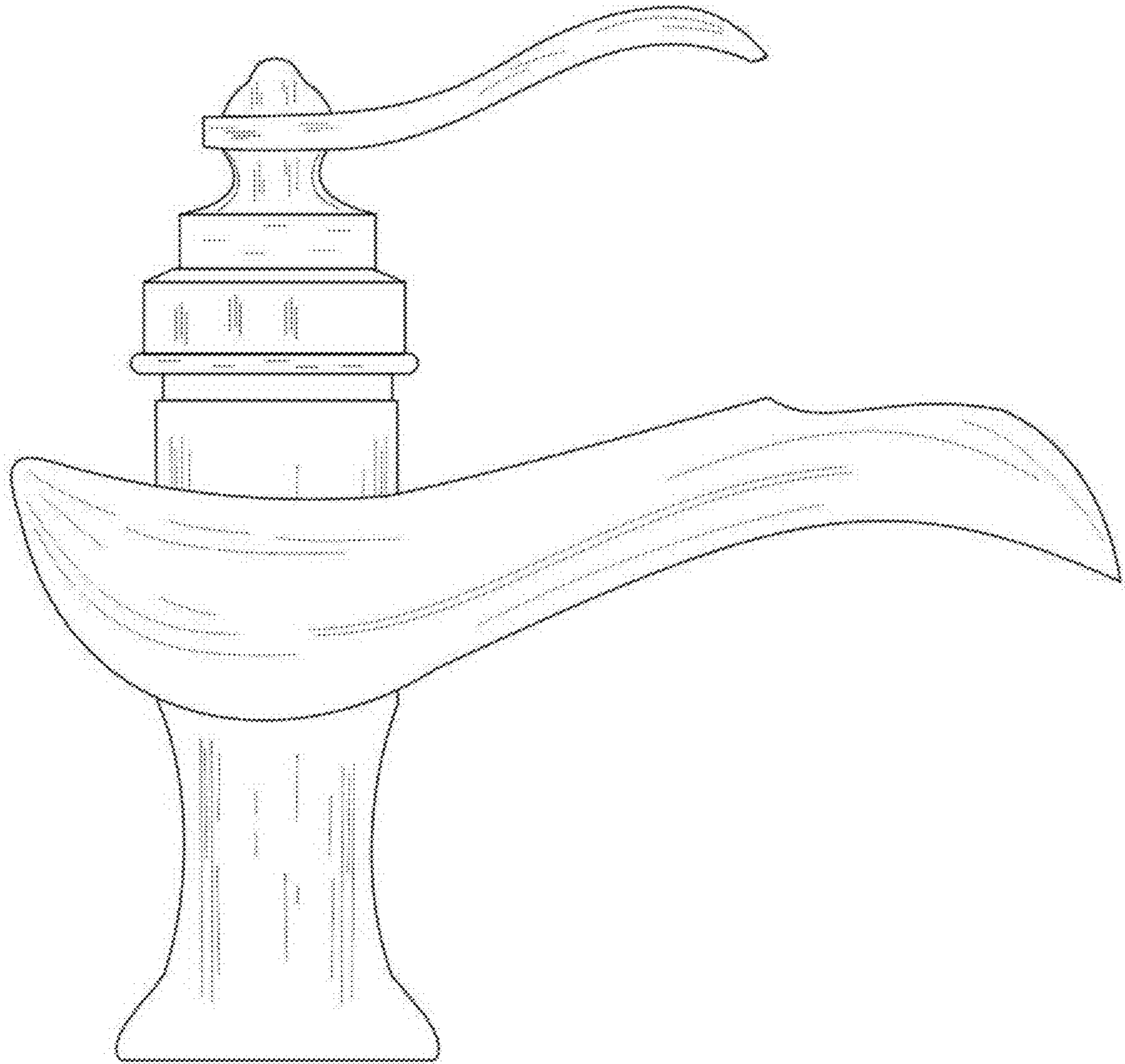


FIG.1

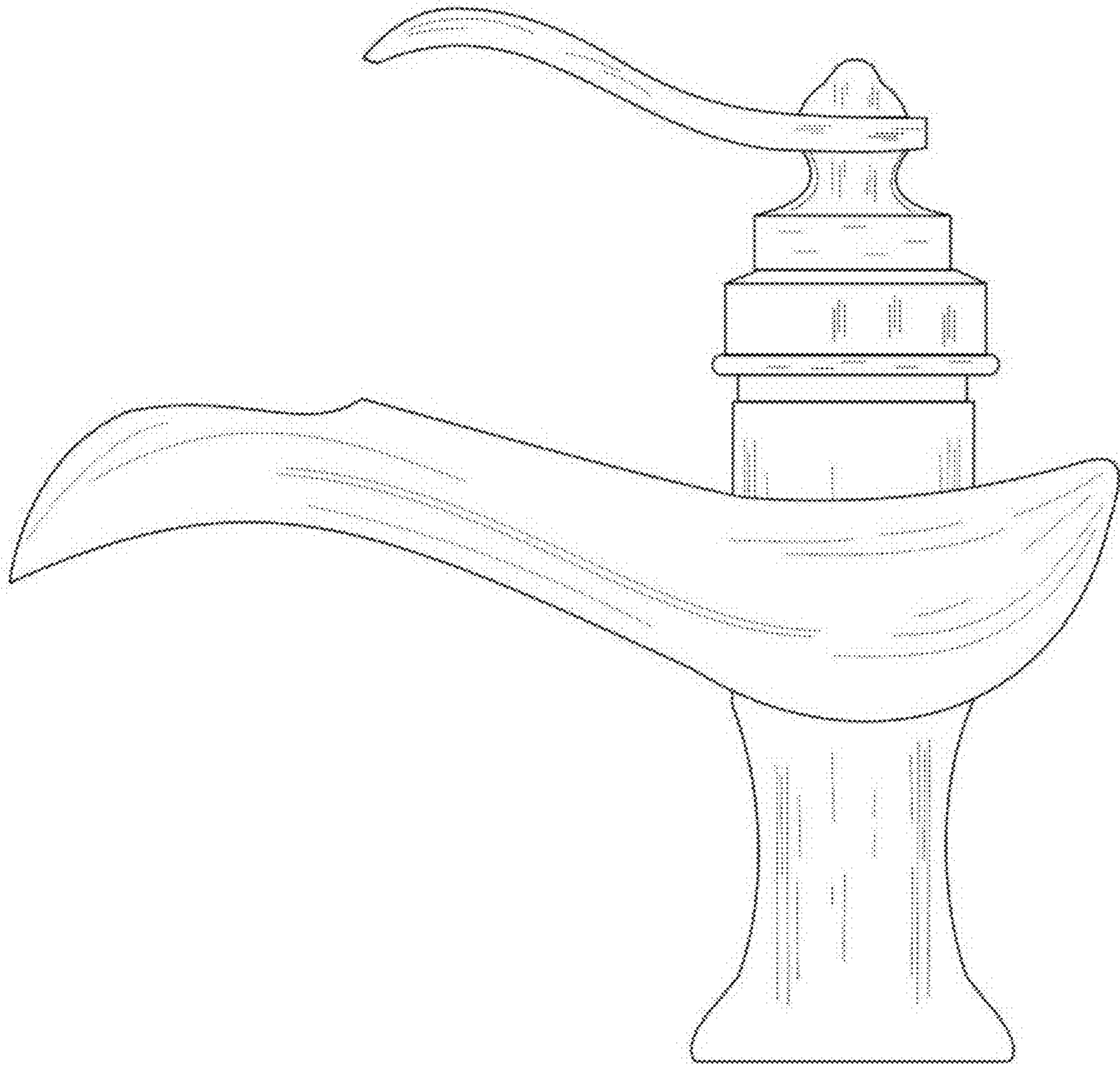


FIG. 2

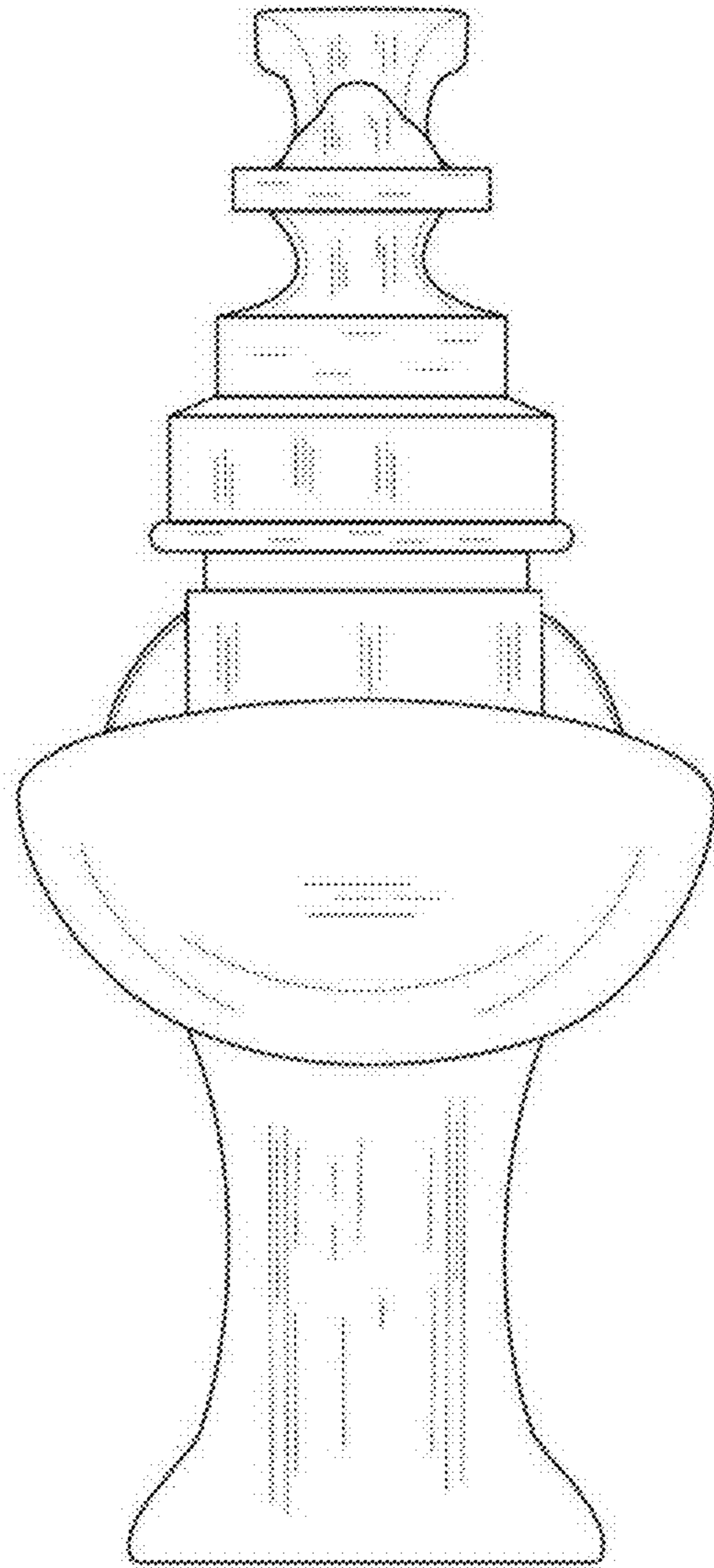


FIG.3

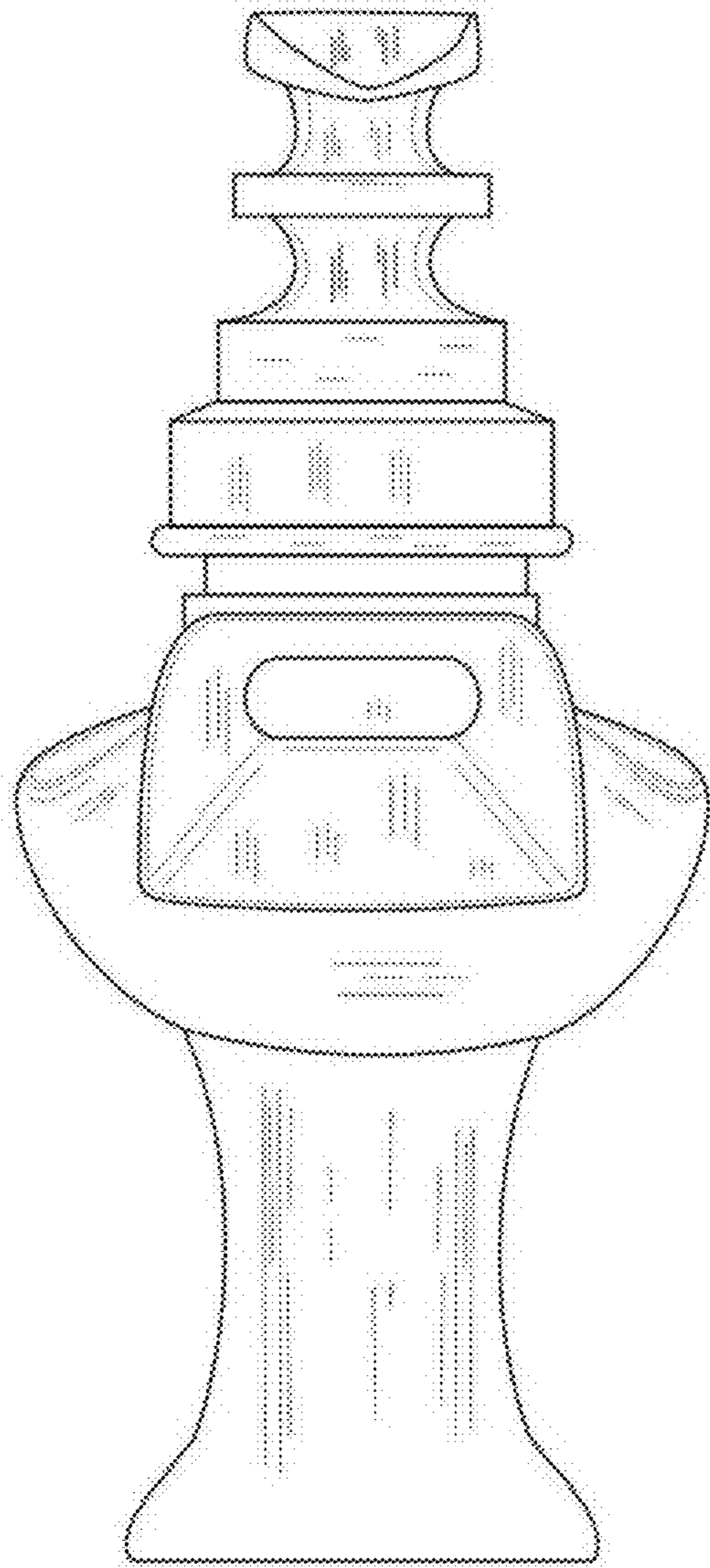


FIG.4

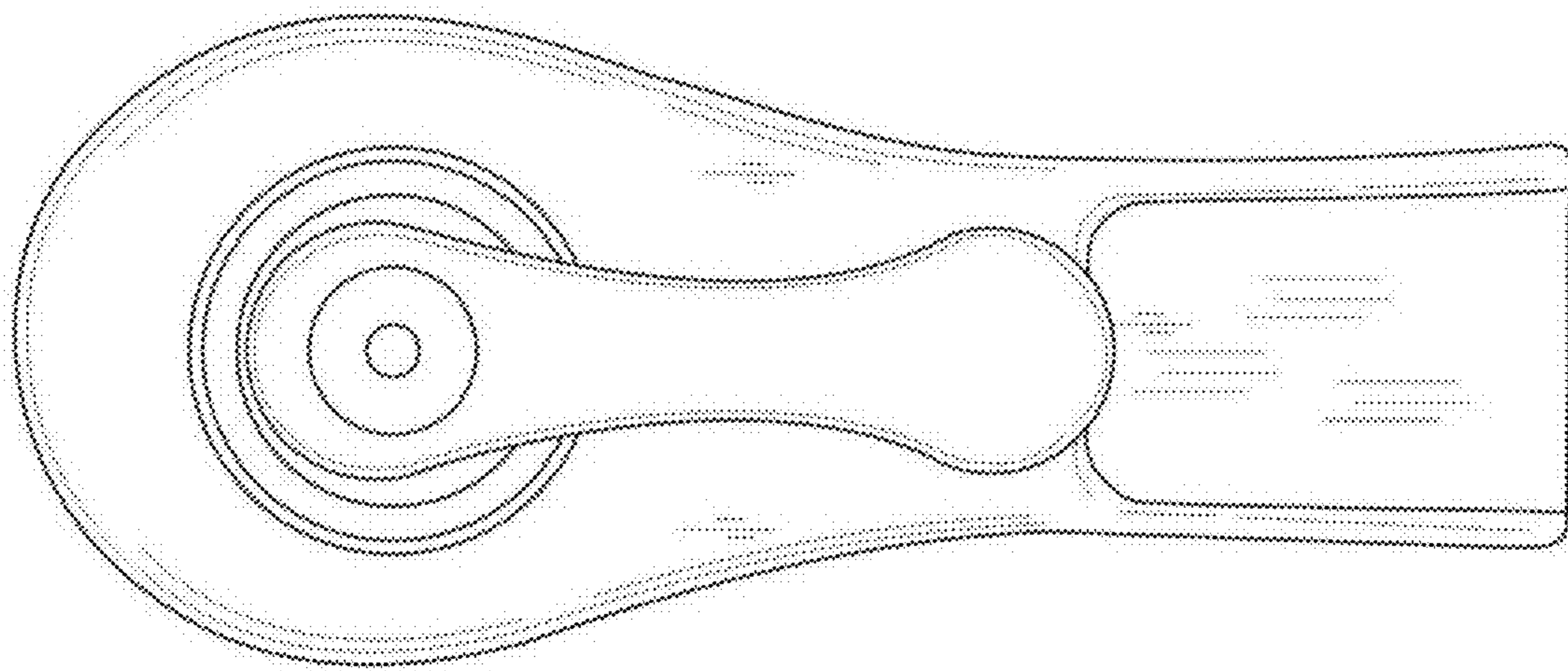


FIG.5

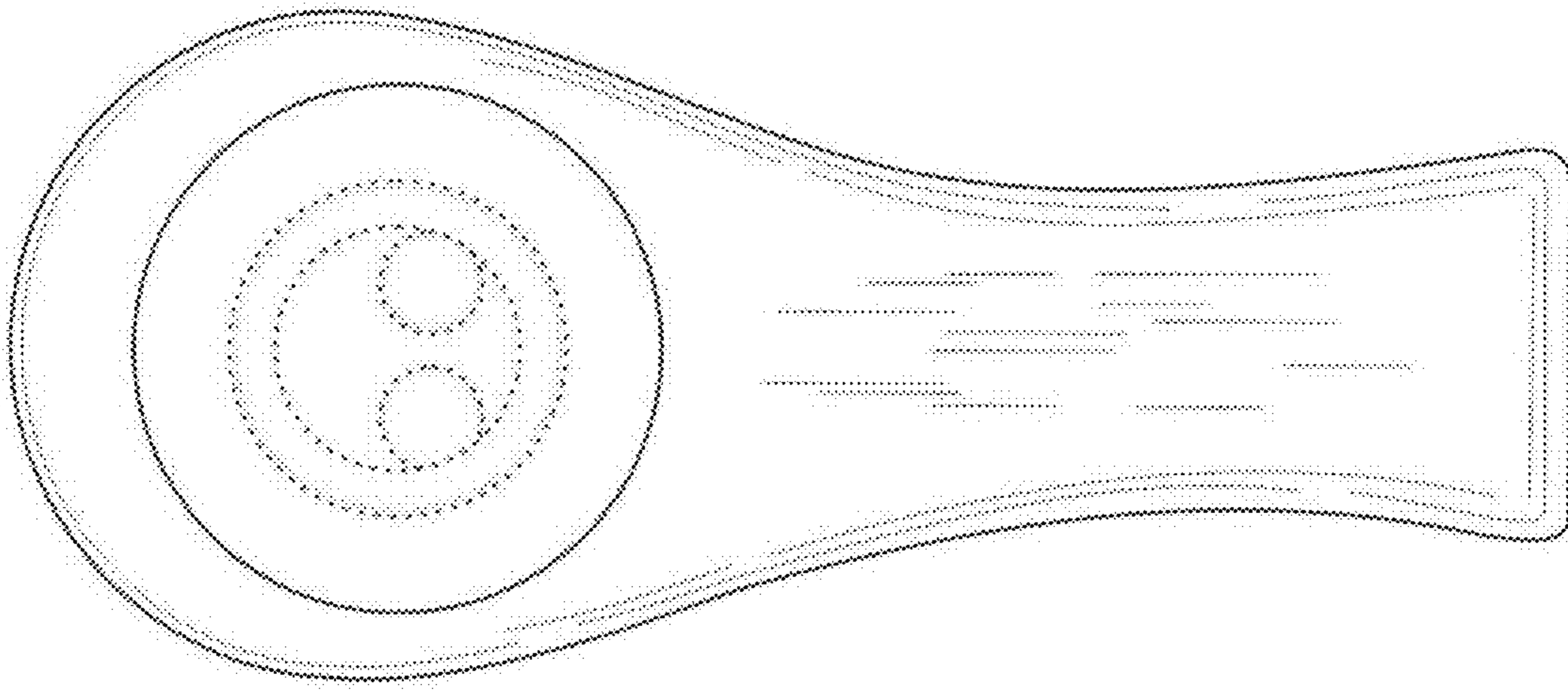


FIG. 6



FIG. 7

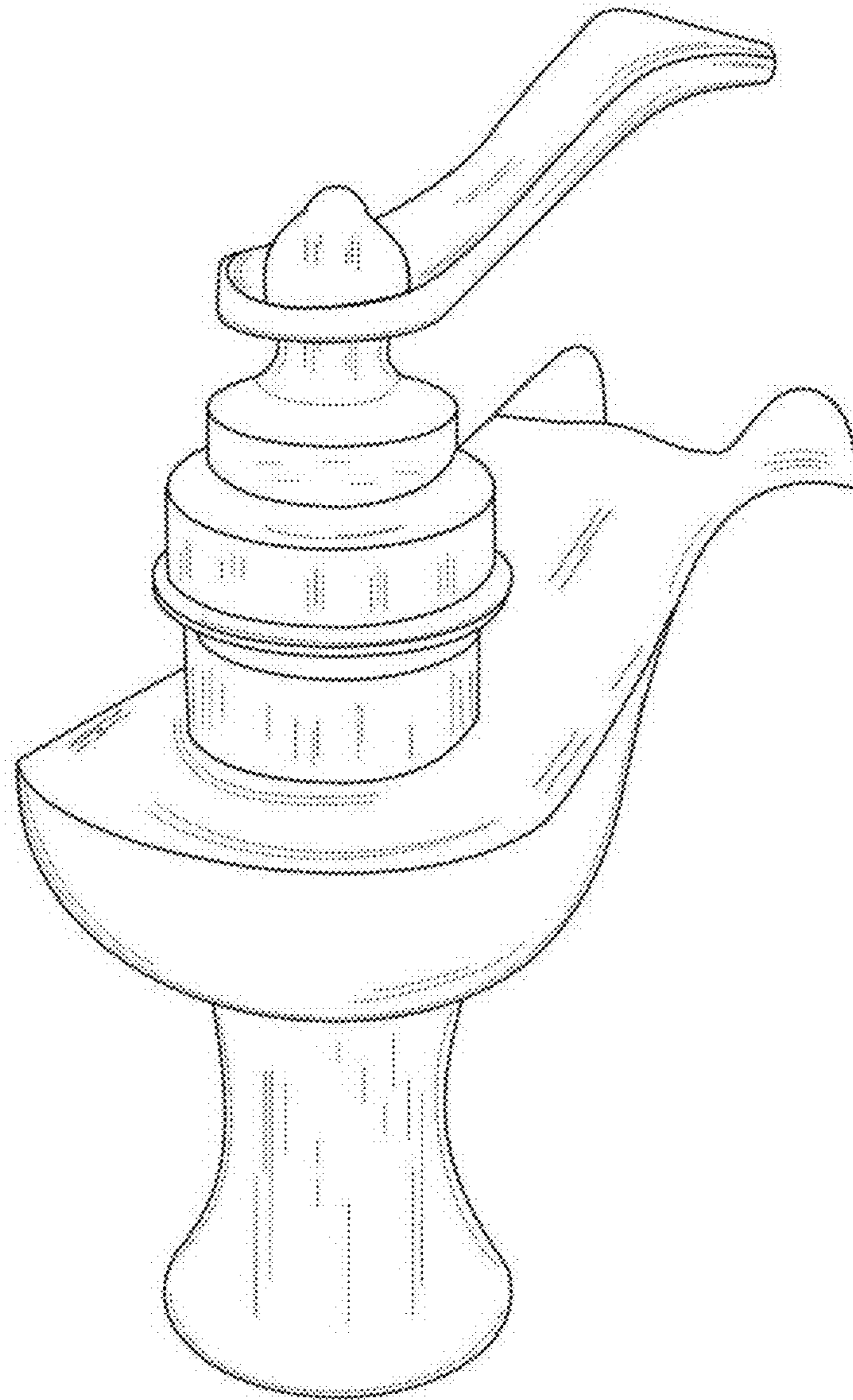


FIG. 8