



US00D849207S

(12) **United States Design Patent** (10) **Patent No.:** **US D849,207 S**
McKeone et al. (45) **Date of Patent:** **** May 21, 2019**

- (54) **FAUCET HANDLE**
- (71) Applicant: **Kohler Co.**, Kohler, WI (US)
- (72) Inventors: **William C. McKeone**, Sheboygan, WI (US); **Jill E. Hundley**, Sheboygan, WI (US)
- (73) Assignee: **KOHLER CO.**, Kohler, WI (US)
- (**) Term: **15 Years**
- (21) Appl. No.: **29/675,677**
- (22) Filed: **Jan. 4, 2019**

- D466,988 S 12/2002 Marshall
- D472,615 S 4/2003 Smith
- D482,758 S 11/2003 Bates
- D492,009 S 6/2004 Egee
- D524,918 S 7/2006 Barry
- D530,790 S 10/2006 Kohler, Jr. et al.
- D534,251 S 12/2006 Barry
- D588,235 S 3/2009 Rexach
- D618,311 S 6/2010 Gao
- D681,174 S 4/2013 Liao
- D712,521 S 9/2014 Smith
- D810,886 S 2/2018 Schoenherr
- D822,177 S 7/2018 Slothower

Primary Examiner — Robert A Delehanty
(74) *Attorney, Agent, or Firm* — Foley & Lardner LLP

Related U.S. Application Data

- (62) Division of application No. 29/661,771, filed on Aug. 30, 2018, which is a division of application No. 29/577,787, filed on Sep. 15, 2016, now Pat. No. Des. 829,867.
- (51) **LOC (11) Cl.** **23-01**
- (52) **U.S. Cl.**
USPC **D23/253**
- (58) **Field of Classification Search**
USPC D23/238–242, 249–250, 253–254
CPC Y10T 137/9464
See application file for complete search history.

References Cited

U.S. PATENT DOCUMENTS

- D117,171 S 10/1939 Fraser
- D324,726 S 3/1992 Bonnell
- D325,425 S 4/1992 Bengtson
- D340,763 S 10/1993 Bonnell
- D458,346 S 6/2002 Mullenmeister

(57) **CLAIM**

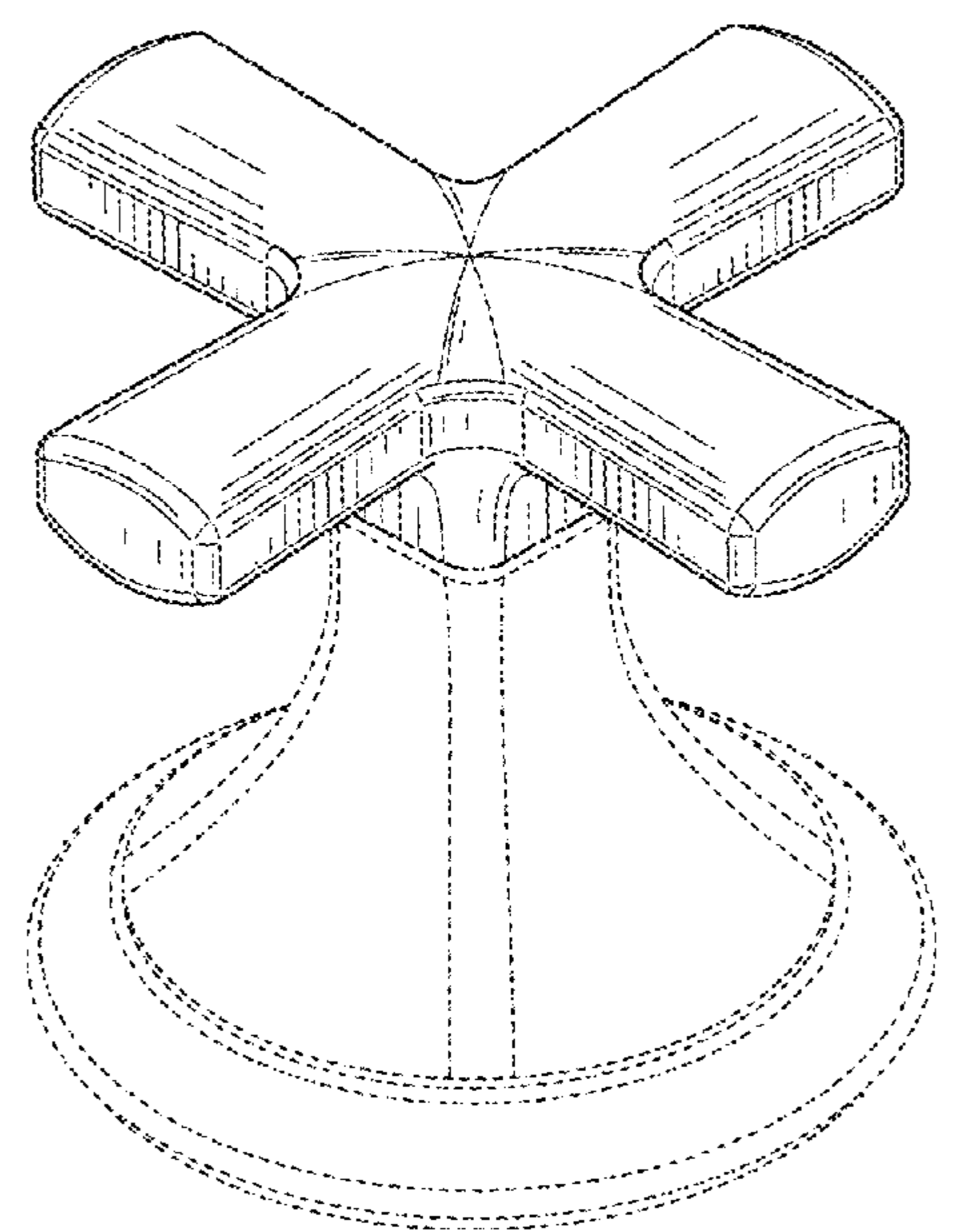
We claim the ornamental design for a faucet handle, as shown and described.

DESCRIPTION

FIG. 1 is a perspective view of an embodiment of the claimed design;
 FIG. 2 is a front view of the embodiment of FIG. 1;
 FIG. 3 is a rear view of the embodiment of FIG. 1;
 FIG. 4 is a side view of the embodiment of FIG. 1;
 FIG. 5 is another side view of the embodiment of FIG. 1;
 FIG. 6 is a top view of the embodiment of FIG. 1; and,
 FIG. 7 is a bottom view of the embodiment of FIG. 1.

The ornamental design which is claimed is shown in solid lines in the drawings. The broken lines in the drawings form no part of the claimed design. Broken lines formed by equal length dashes show unclaimed subject matter. Broken lines formed of unequal length dashes (i.e., dash-dot) defined bounds of the claimed design.

1 Claim, 4 Drawing Sheets



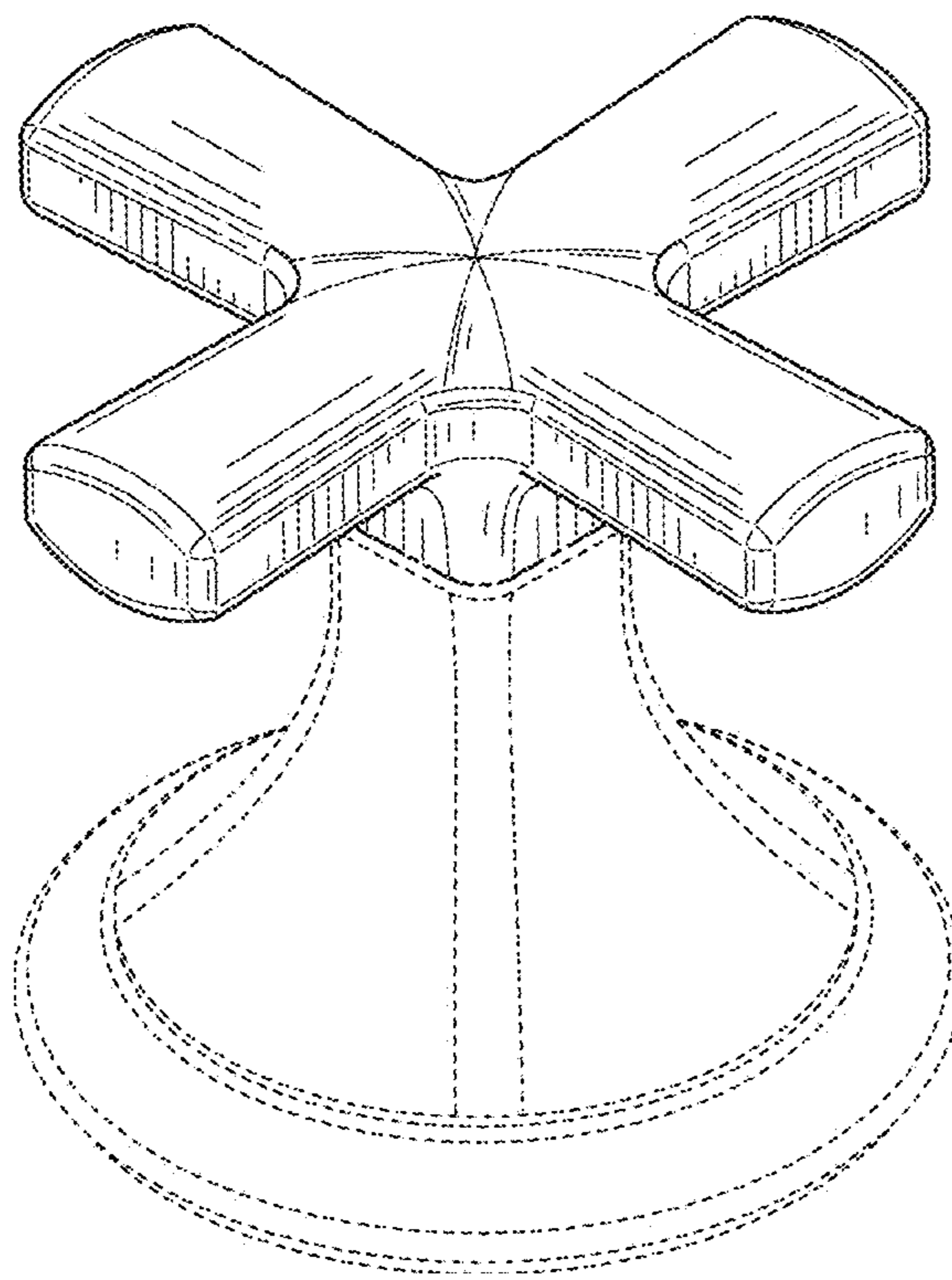


FIG. 1

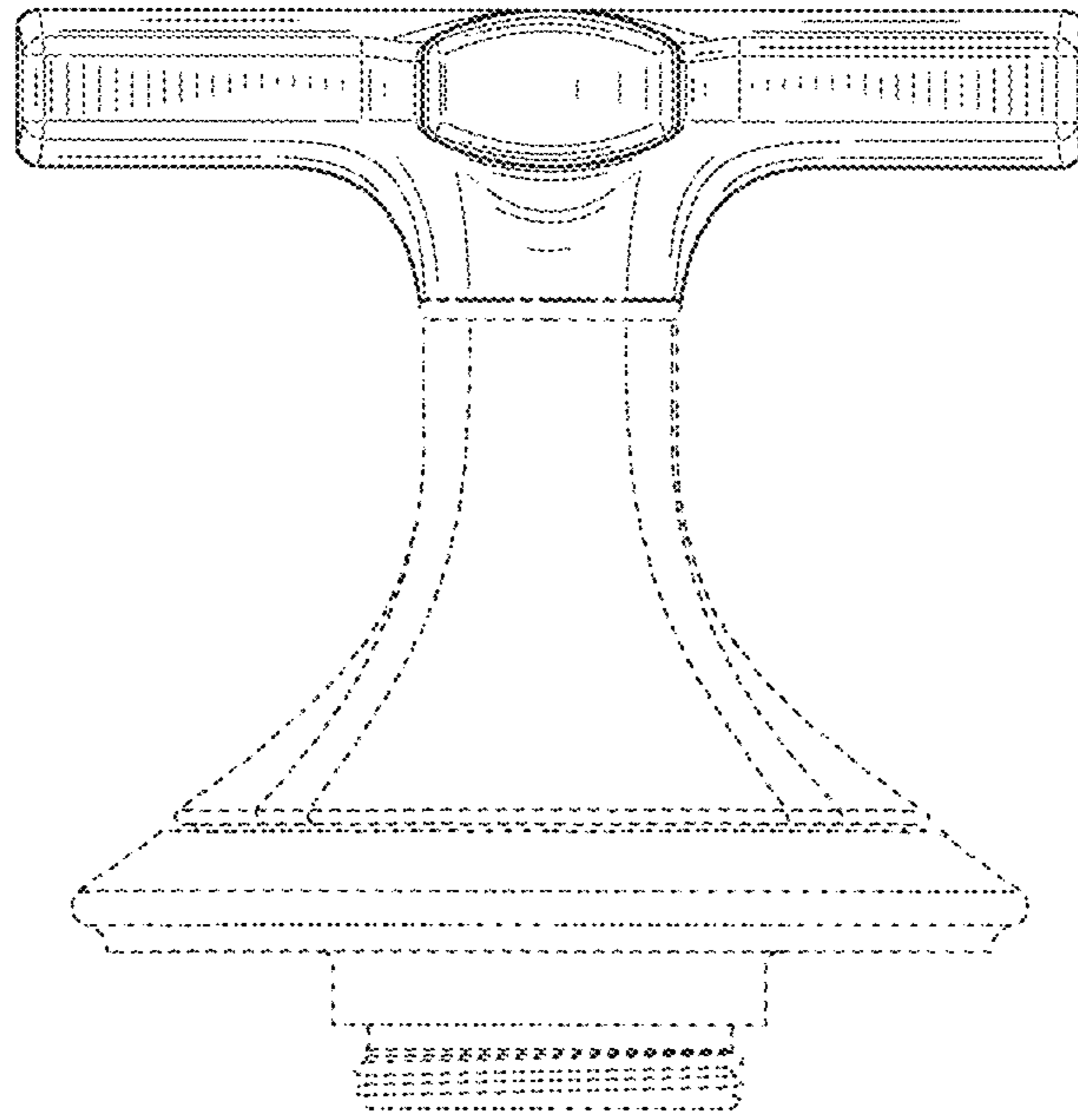


FIG. 2

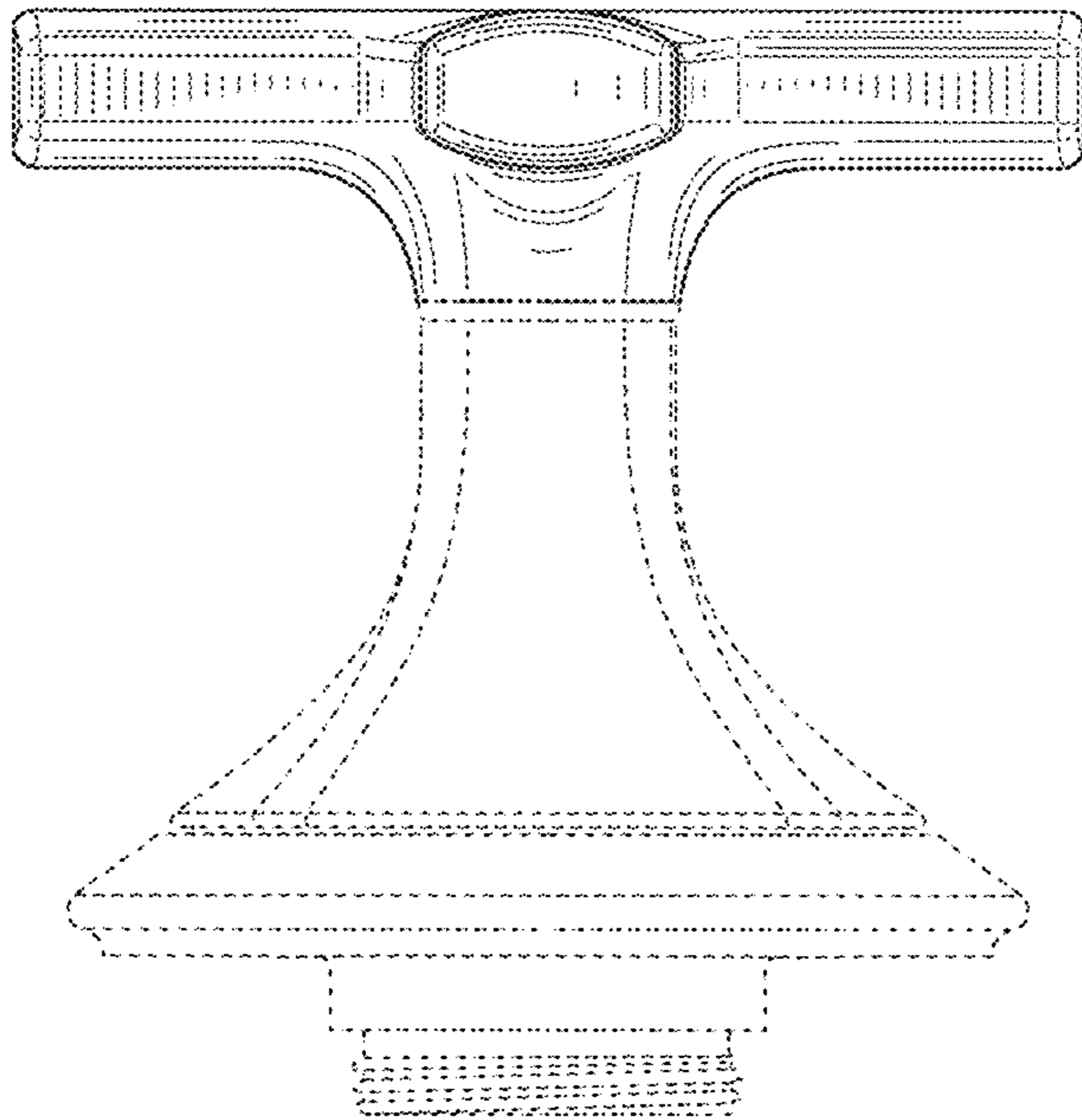


FIG. 3

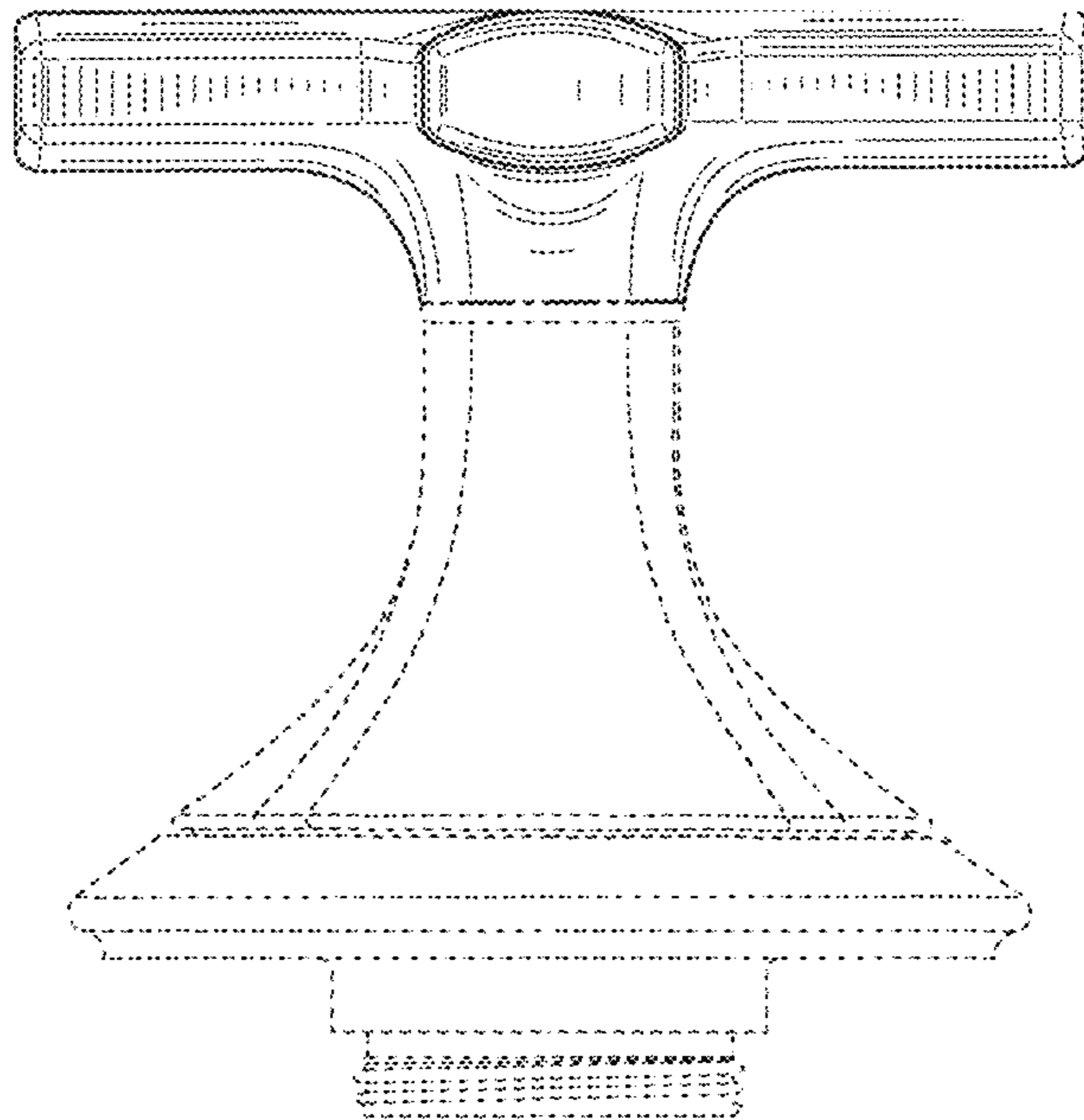


FIG. 4

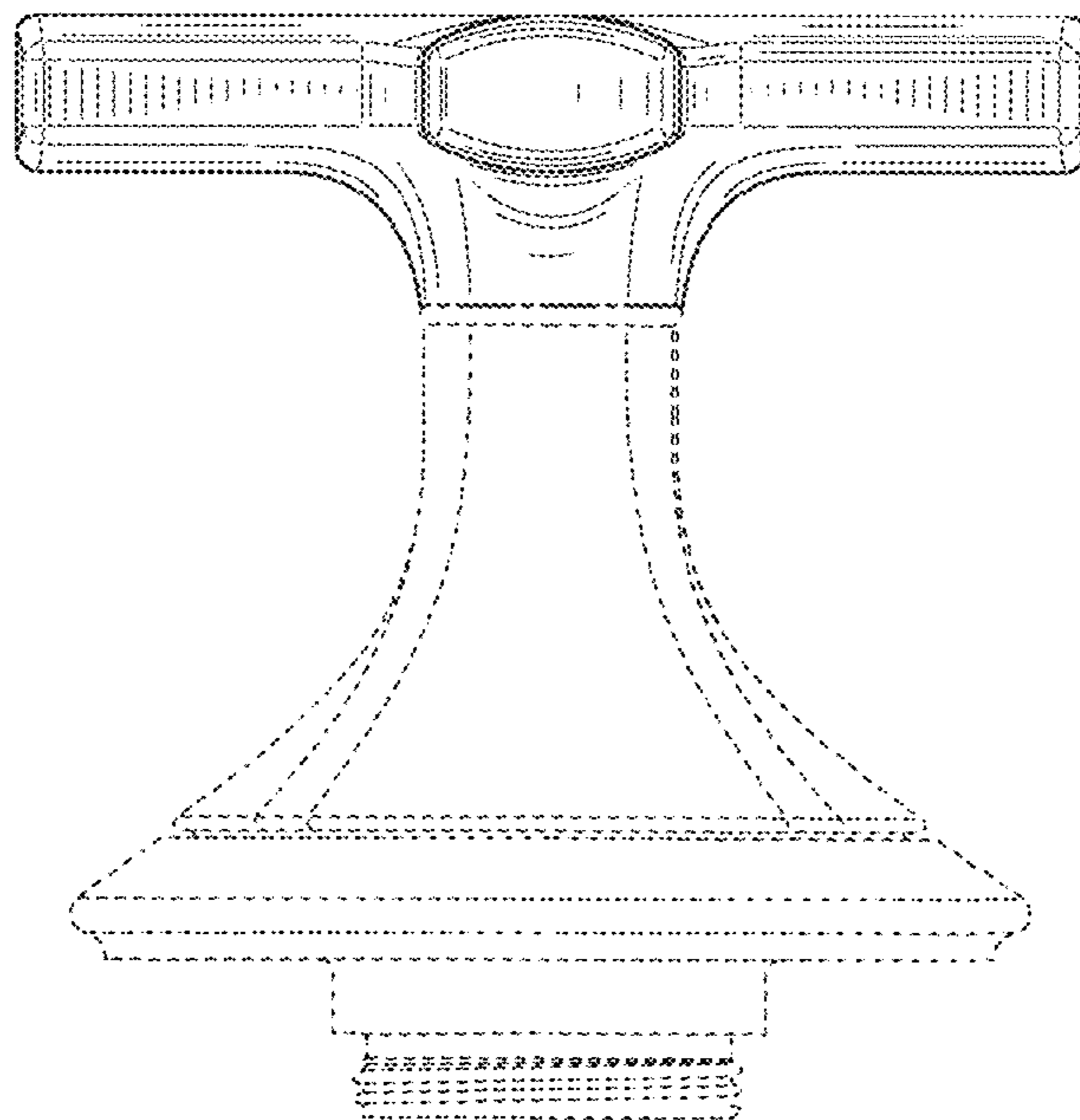


FIG. 5

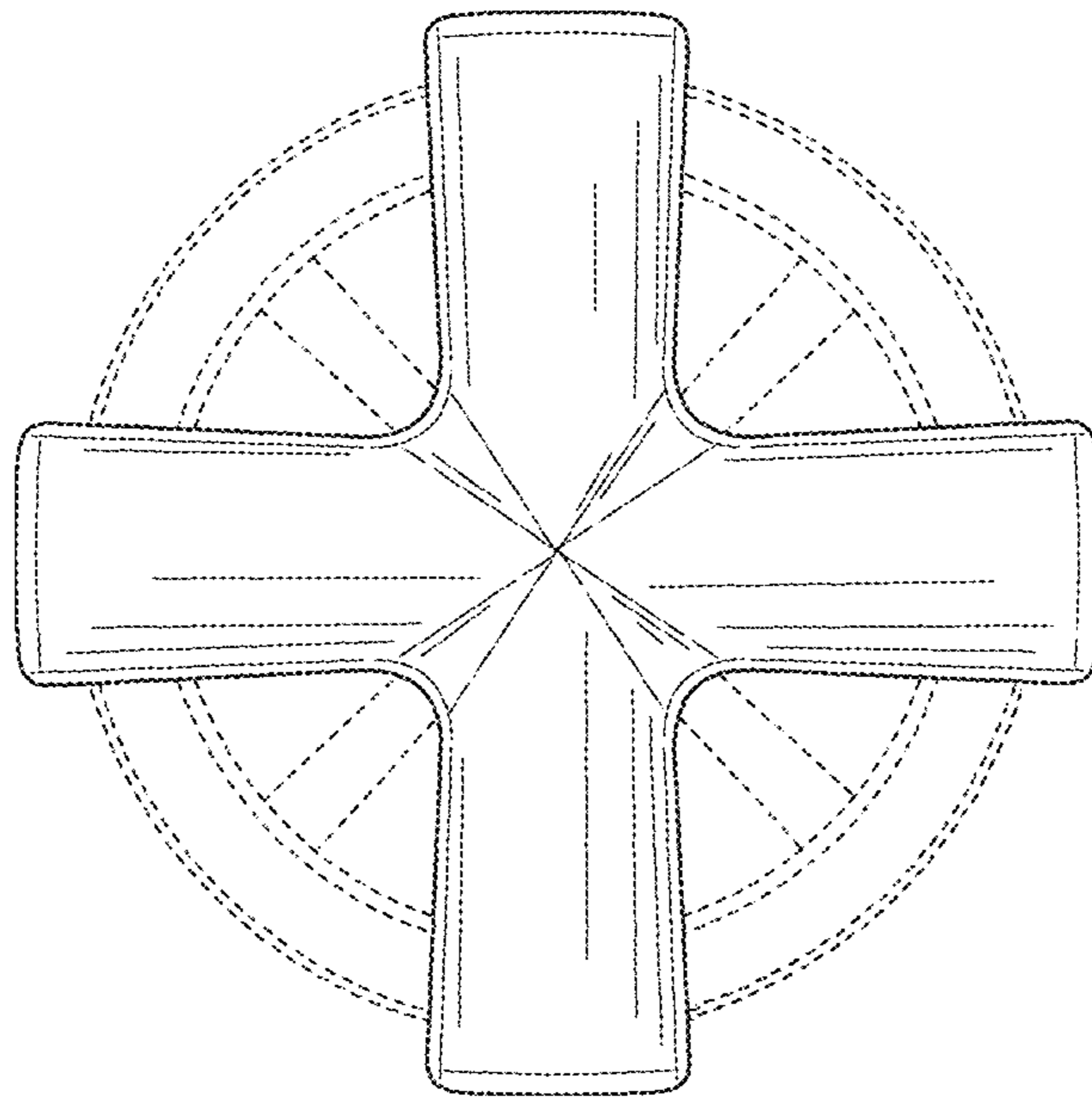


FIG. 6

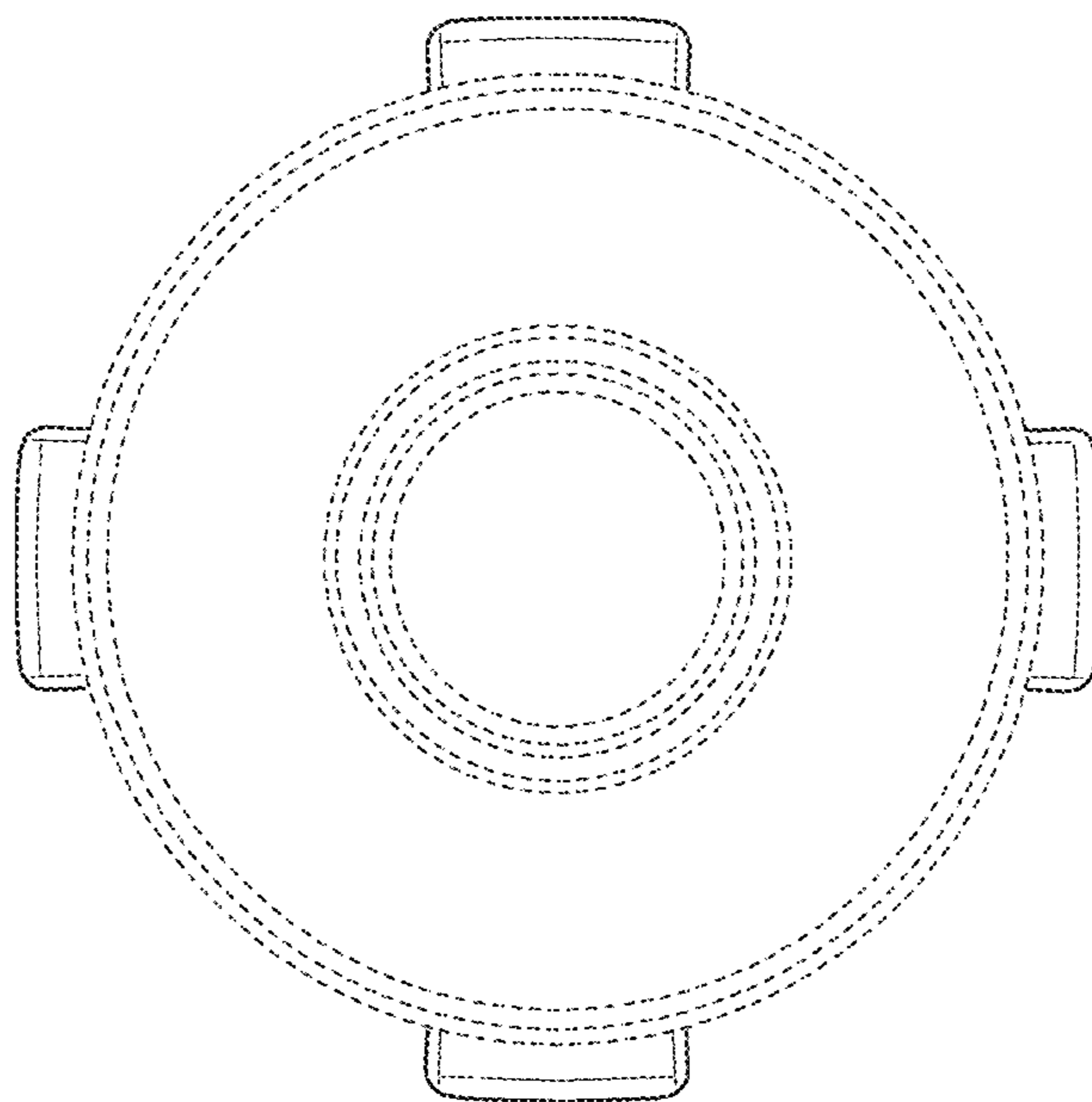


FIG. 7