



US00D849206S

(12) **United States Design Patent**  
**Bahler**

(10) **Patent No.:** **US D849,206 S**

(45) **Date of Patent:** **\*\* May 21, 2019**

(54) **FAUCET HANDLE**

(71) Applicant: **DELTA FAUCET COMPANY,**  
Indianapolis, IN (US)

(72) Inventor: **Jordan Bahler,** Frankfort, IN (US)

(73) Assignee: **DELTA FAUCET COMPANY,**  
Indianapolis, IN (US)

(\*\*) Term: **15 Years**

(21) Appl. No.: **29/646,146**

(22) Filed: **May 2, 2018**

(51) **LOC (11) Cl.** ..... **23-01**

(52) **U.S. Cl.**  
USPC ..... **D23/252**

(58) **Field of Classification Search**  
USPC ..... D23/250, 252, 254, 309, 313;  
D08/307-308; D06/530  
CPC ..... Y10T 137/9464  
See application file for complete search history.

(56) **References Cited**

U.S. PATENT DOCUMENTS

D320,335 S	*	10/1991	Bengtson	.....	D23/252
D477,860 S	*	7/2003	Singtoroj	.....	D23/252
D521,607 S	*	5/2006	Blomstrom	.....	D23/252
D581,021 S	*	11/2008	Gilbert	.....	D23/252
D587,786 S	*	3/2009	Williams	.....	D23/252

D624,159 S	*	9/2010	Kosasih	.....	D23/252
D631,136 S	*	1/2011	Romero	.....	D23/252
D633,740 S	*	3/2011	Andrew	.....	D6/550
D700,957 S	*	3/2014	Mendoza	.....	D23/254
D757,908 S	*	5/2016	Fritz	.....	D23/252
D789,489 S	*	6/2017	Garland	.....	D23/252
D810,885 S	*	2/2018	Bahler	.....	D23/252

\* cited by examiner

*Primary Examiner* — Robert A Delehanty

(74) *Attorney, Agent, or Firm* — Edgar A. Zarins; Nirav D. Parikh

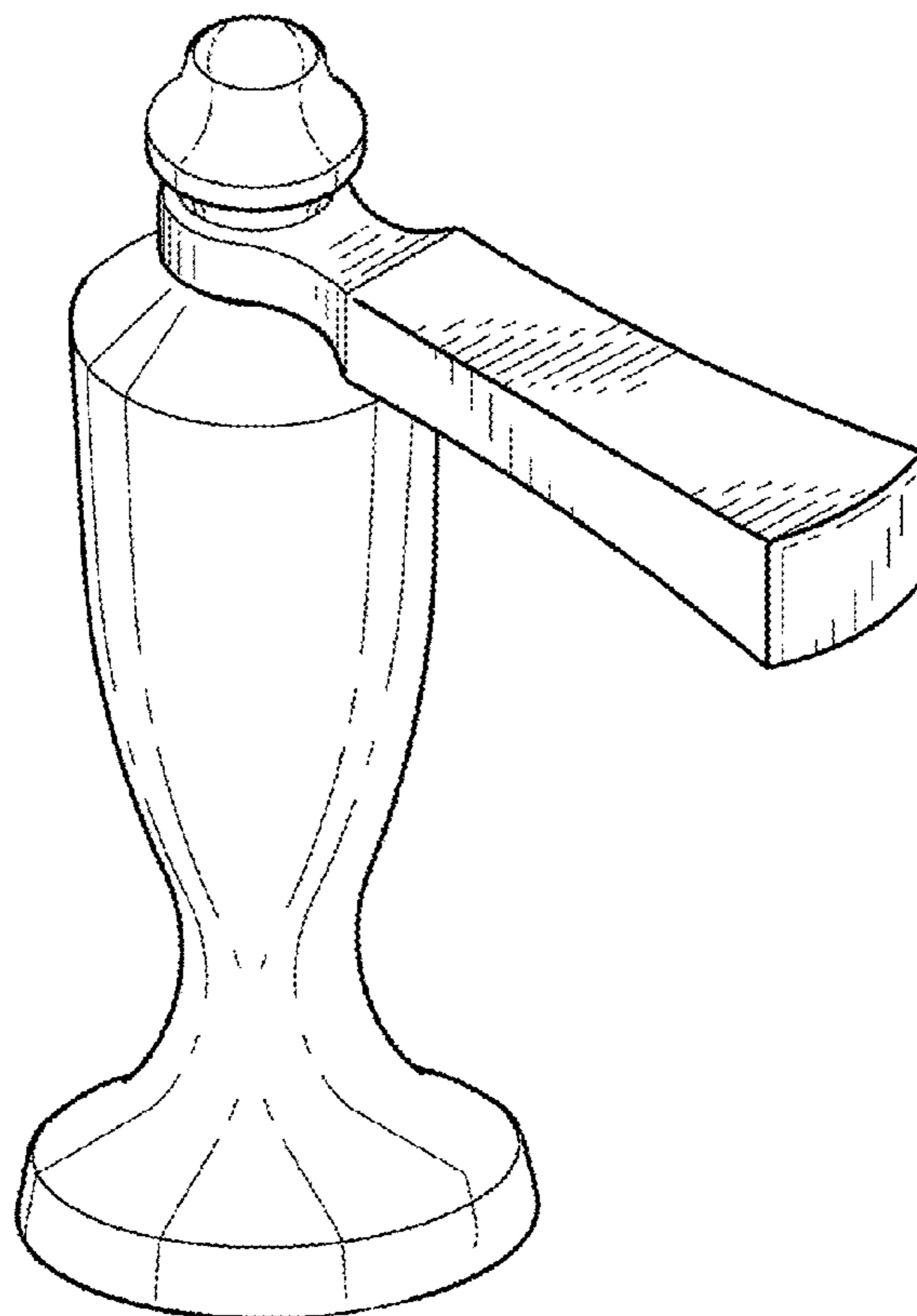
(57) **CLAIM**

The ornamental design for a faucet handle, as shown and described.

**DESCRIPTION**

FIG. 1 is a perspective view of a faucet handle showing my new design;  
FIG. 2 is a first side view thereof;  
FIG. 3 is a top plan view thereof;  
FIG. 4 is a second side view thereof, the opposite side being a mirror image of the side shown; and,  
FIG. 5 is a bottom view thereof.  
The broken-line disclosure in the view represents a portion of the faucet handle in which the claimed design is embodied, but which forms no part of the claimed design.

**1 Claim, 2 Drawing Sheets**



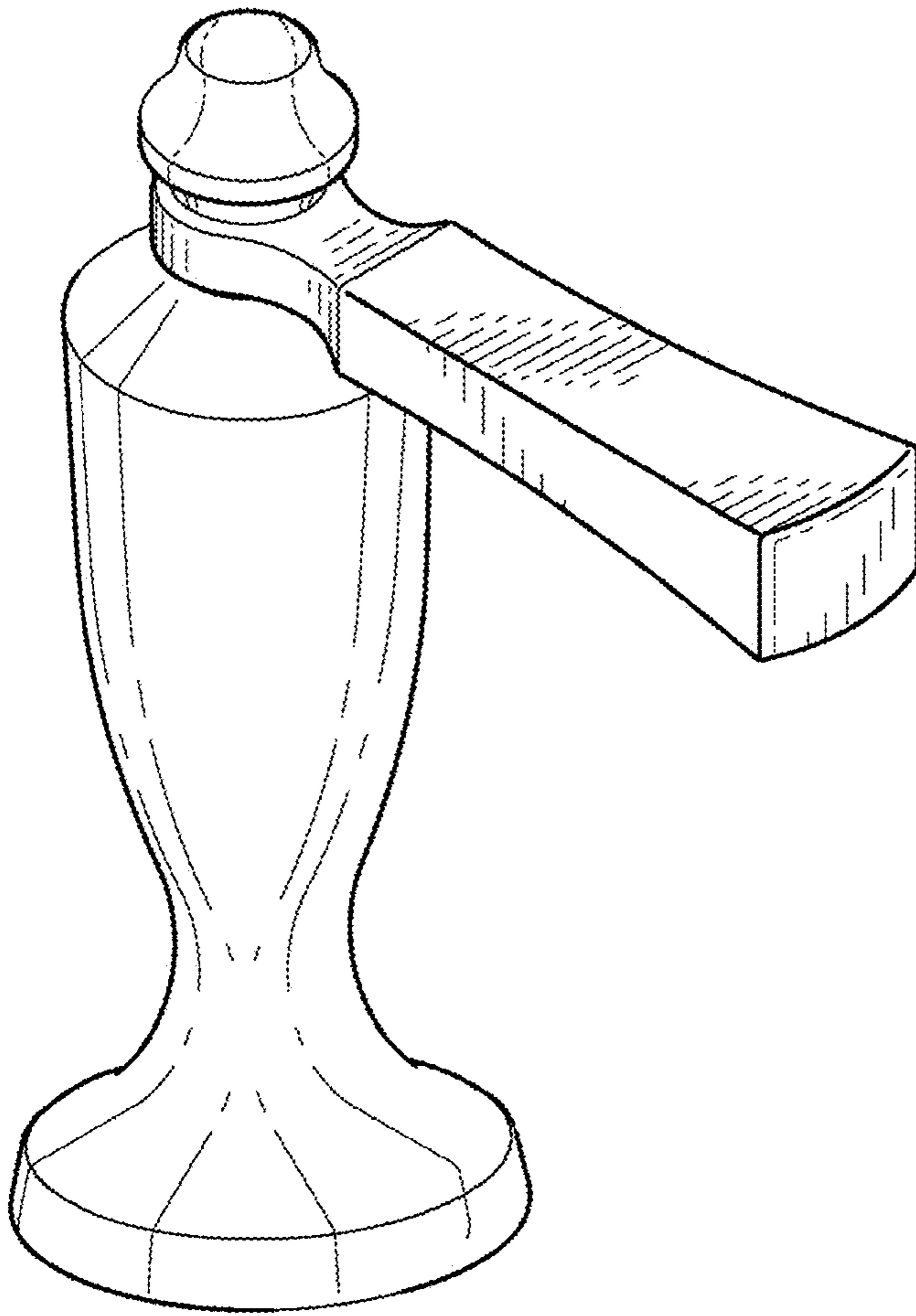


Fig-1

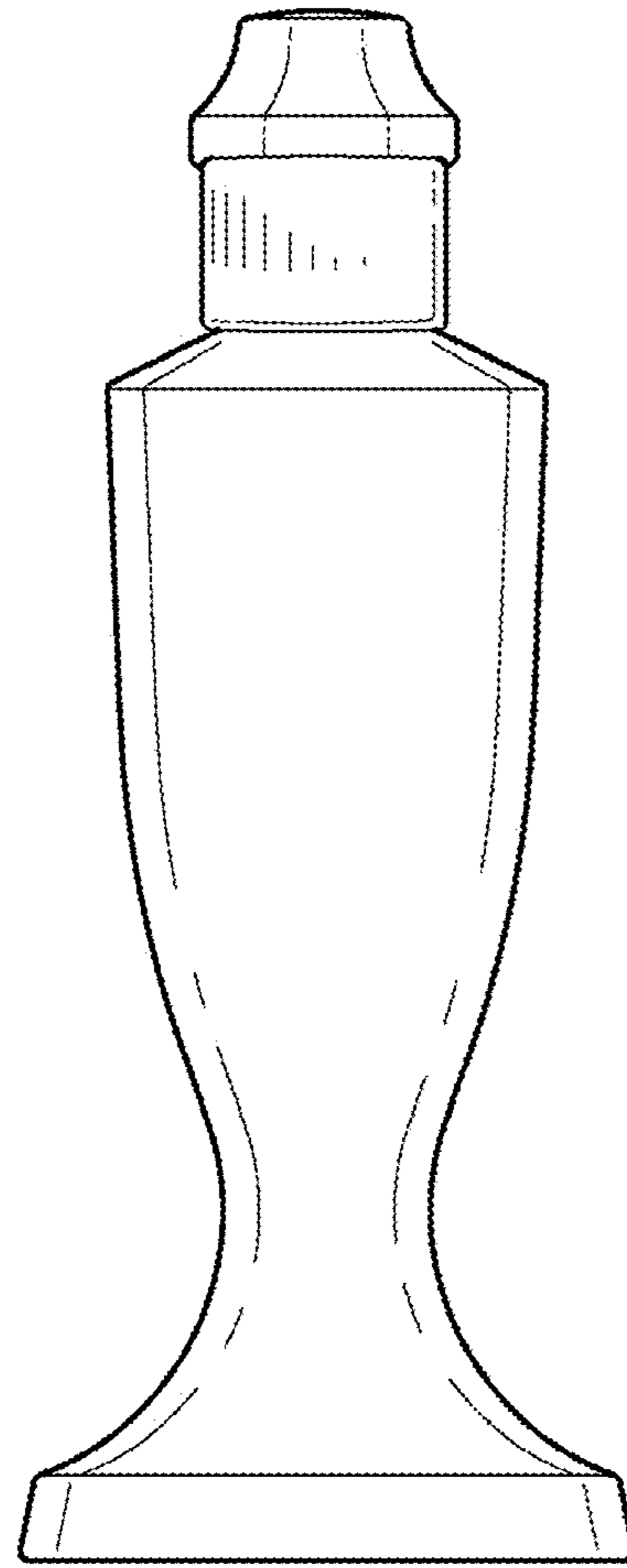


Fig-2

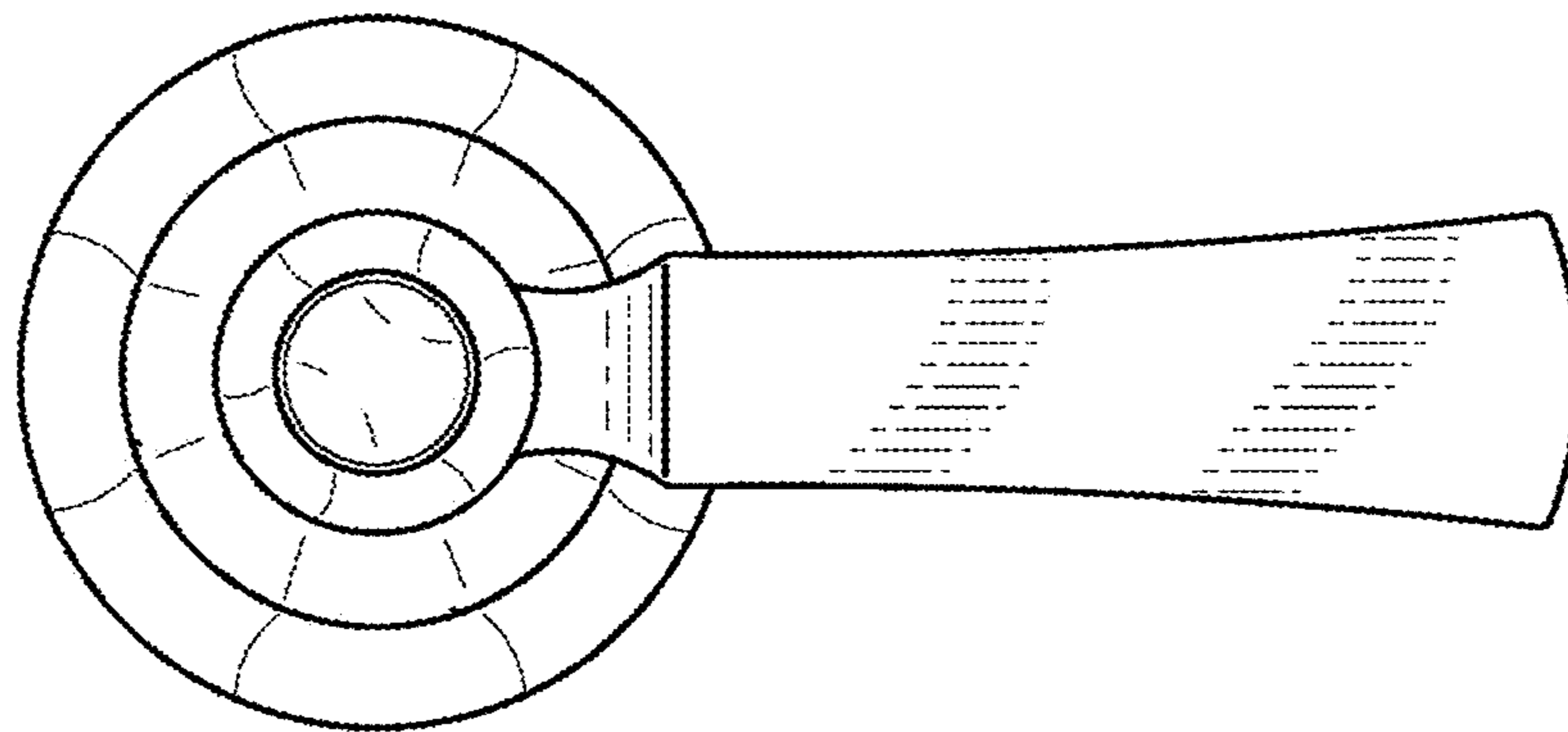


Fig-3

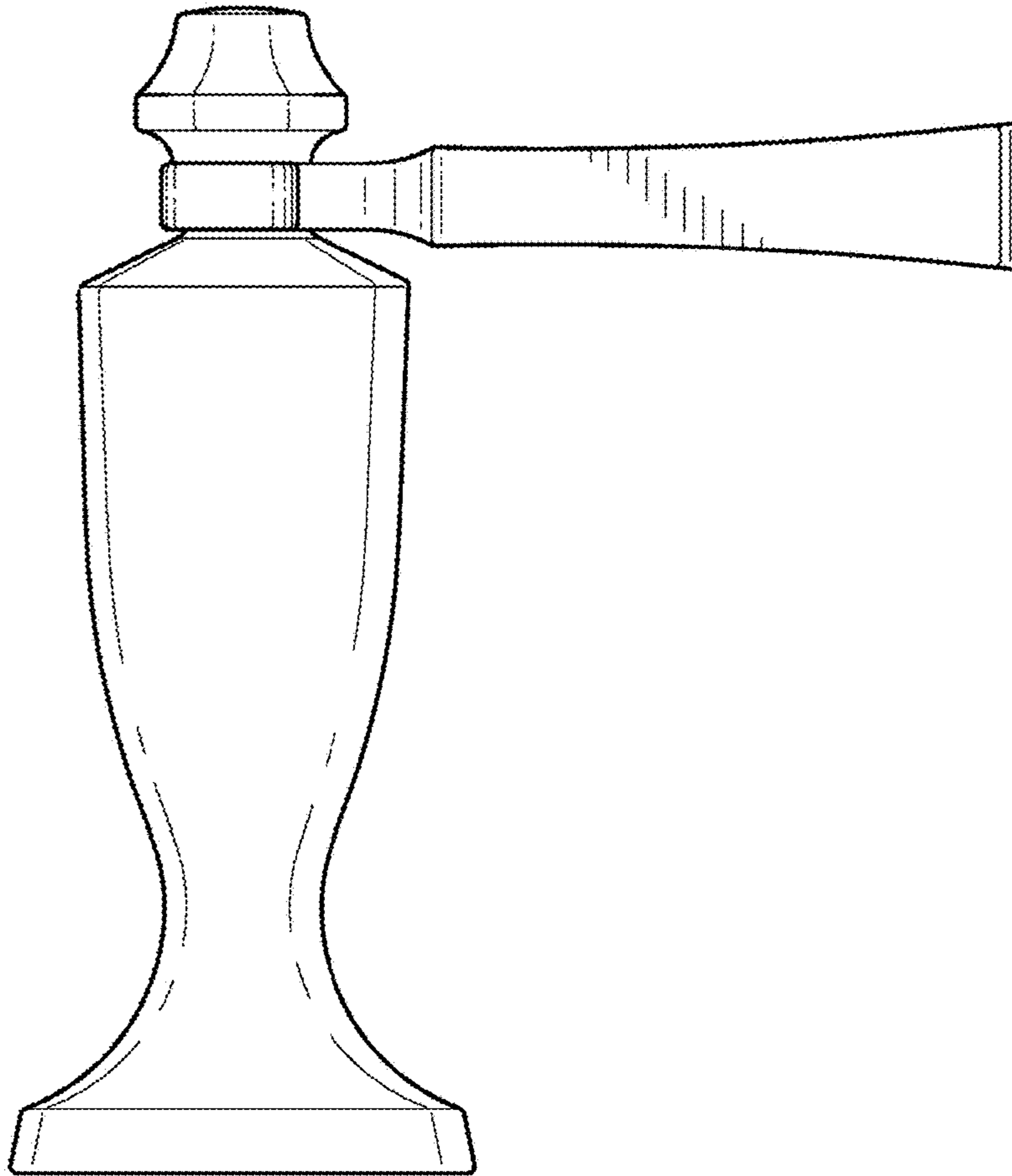


Fig-4

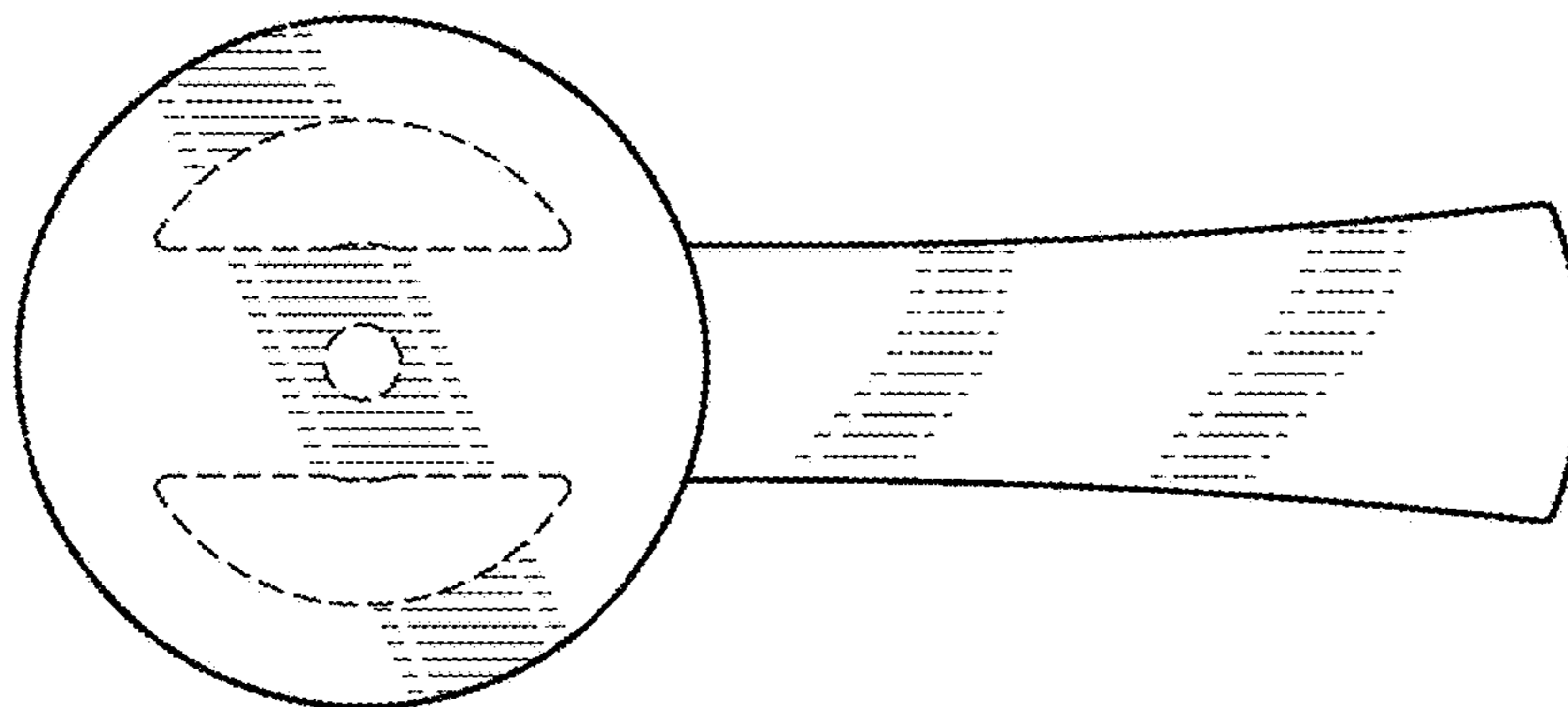


Fig-5