



US00D849205S

(12) **United States Design Patent** (10) **Patent No.:** **US D849,205 S**  
**Rexach et al.** (45) **Date of Patent:** **\*\* May 21, 2019**

(54) <b>TUB FILLER</b>	D718,425 S	11/2014	Rexach et al.
	D718,426 S	11/2014	Rexach et al.
(71) Applicant: <b>Kohler Co.</b> , Kohler, WI (US)	D718,838 S	12/2014	Sedwick
	D737,929 S	9/2015	Rexach et al.
(72) Inventors: <b>Rafael A. Rexach</b> , Sheboygan, WI (US); <b>Tory L. Hayner</b> , Howards Grove, WI (US); <b>Drew Johnson</b> , Sheboygan, WI (US)	D737,930 S	9/2015	Rexach et al.
	D750,205 S	2/2016	Rexach
	D751,180 S	3/2016	Rexach
	D757,904 S	5/2016	Rexach
	D757,905 S	5/2016	Rexach
	D758,546 S	6/2016	Rexach
(73) Assignee: <b>KOHLER CO.</b> , Kohler, WI (US)	D803,986 S	11/2017	Schoenherr

(\*\*) Term: **15 Years**

(21) Appl. No.: **29/665,991**

(22) Filed: **Oct. 9, 2018**

**Related U.S. Application Data**

(62) Division of application No. 29/577,328, filed on Sep. 12, 2016, now Pat. No. Des. 834,147.

(51) **LOC (11) Cl.** ..... **23-01**

(52) **U.S. Cl.**  
USPC ..... **D23/249**

(58) **Field of Classification Search**  
USPC ..... D23/238-243, 249-250, 252, 254-255, D23/257  
CPC ..... E03C 1/0412; Y10T 137/9464  
See application file for complete search history.

(56) **References Cited**

**U.S. PATENT DOCUMENTS**

D479,584 S	9/2003	Shieh
D657,022 S	4/2012	Huang
D717,915 S	11/2014	Fritz
D717,924 S	11/2014	Rexach et al.
D717,925 S	11/2014	Rexach et al.
D717,928 S	11/2014	Rexach et al.
D718,420 S	11/2014	Rexach et al.

*Primary Examiner* — Robert A Delehanty

(74) *Attorney, Agent, or Firm* — Foley & Lardner LLP

(57) **CLAIM**

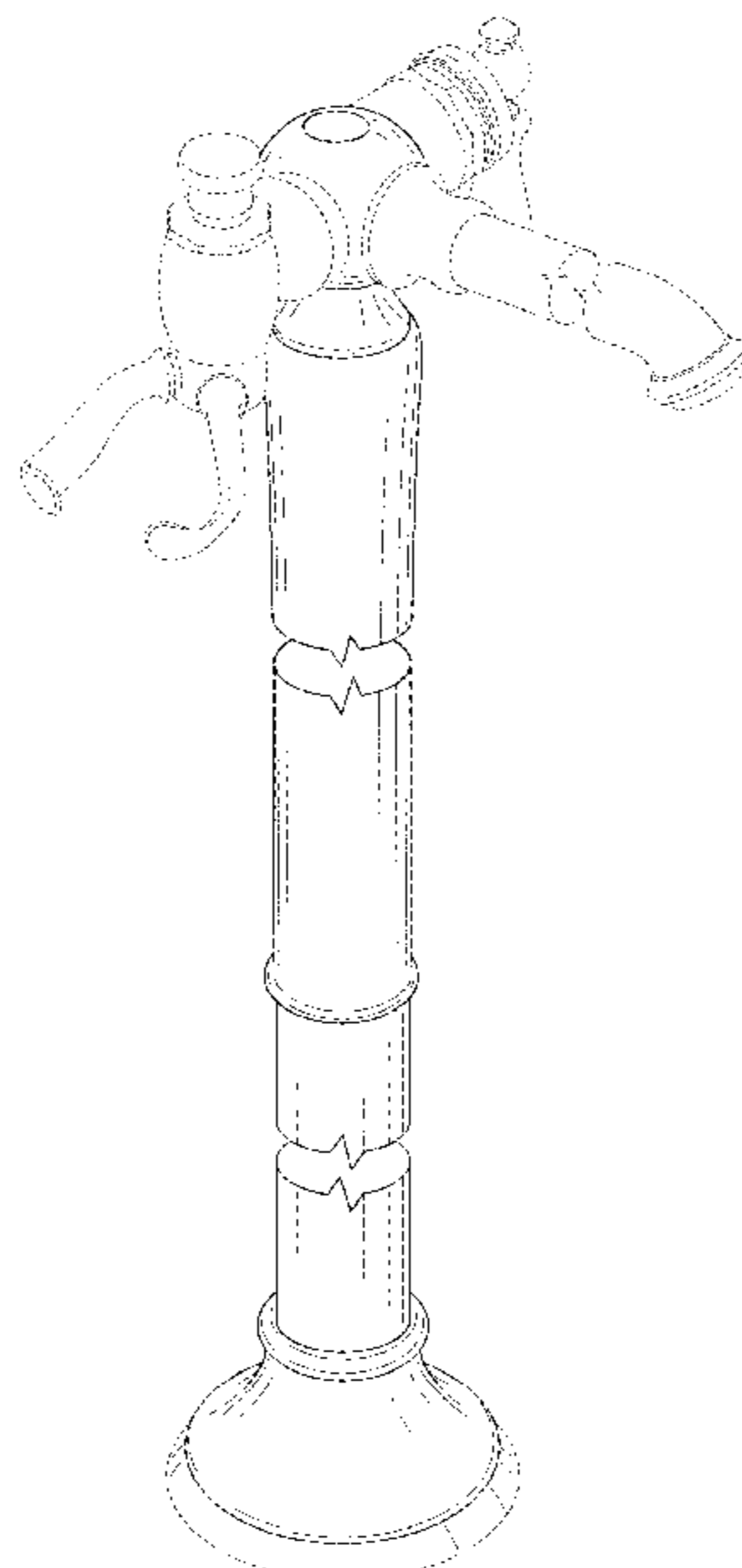
We claim the ornamental design for a tub filler, as shown and described.

**DESCRIPTION**

FIG. 1 is a top, front, left perspective view of an embodiment of the claimed design;  
 FIG. 2 is a front elevation view thereof;  
 FIG. 3 is a rear elevation view thereof;  
 FIG. 4 is a right side elevation view thereof;  
 FIG. 5 is a left side elevation view thereof;  
 FIG. 6 is a top plan view thereof; and,  
 FIG. 7 is a bottom plan view thereof.

The ornamental design which is claimed is shown in solid lines in the drawings. The broken lines in the drawings are for illustrative purposes only and form no part of the claimed design. Broken lines formed by equal length dashes show unclaimed subject matter. Broken lines formed by unequal length dashes (i.e., dash-dot) define bounds of the claimed design. Broken away symbols having a jagged element show that no particular length of the portion is claimed. The appearance of any portion of the article between the broken away symbols forms no part of the claimed design.

**1 Claim, 6 Drawing Sheets**



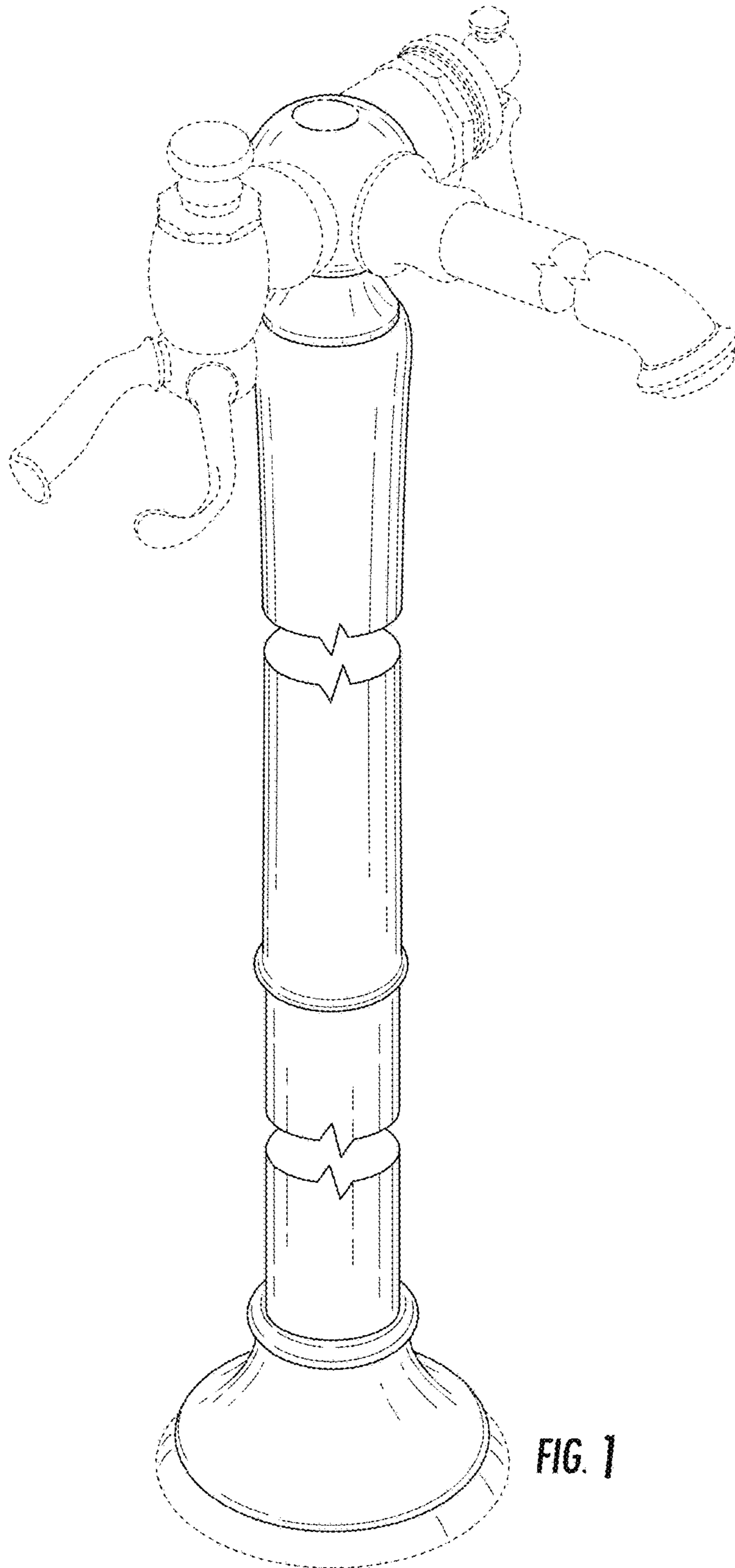


FIG. 1

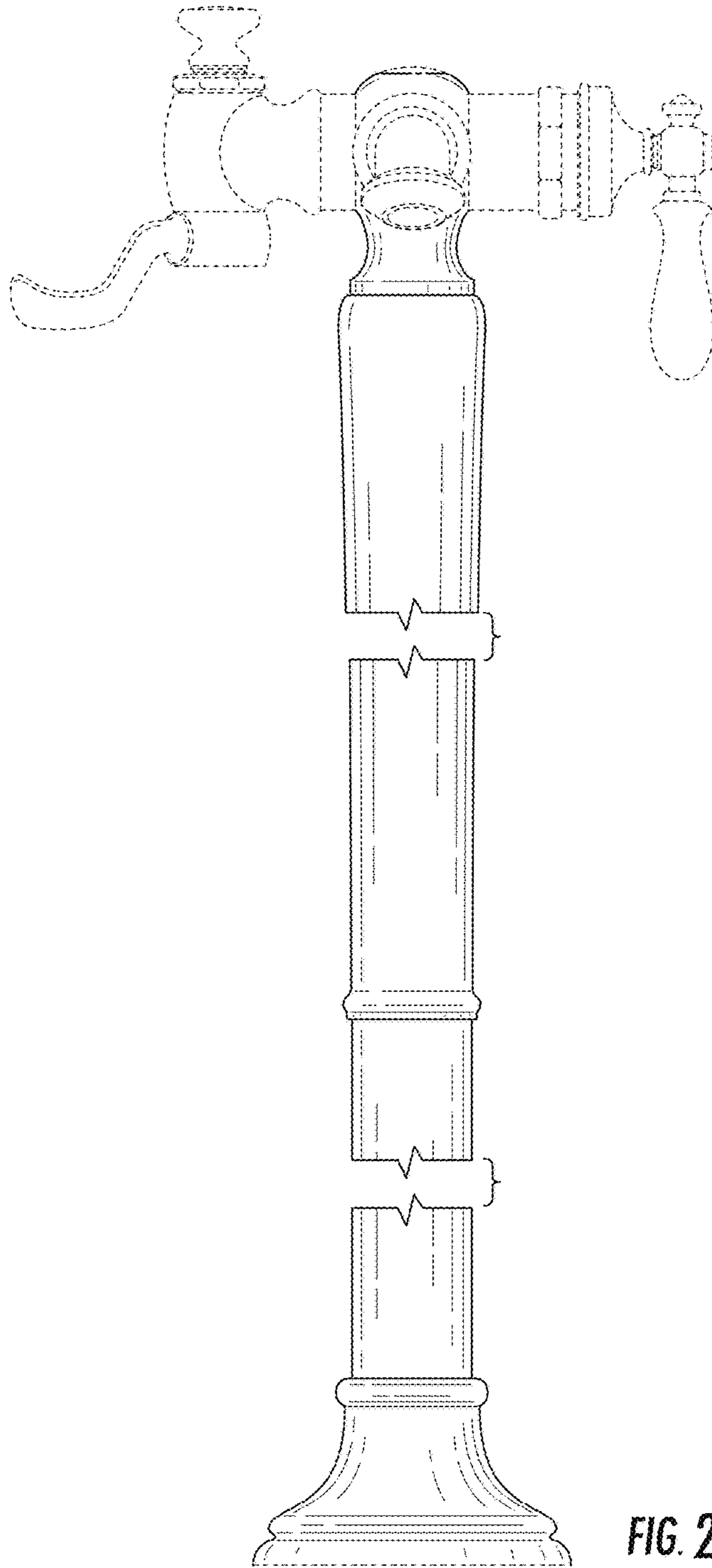


FIG. 2

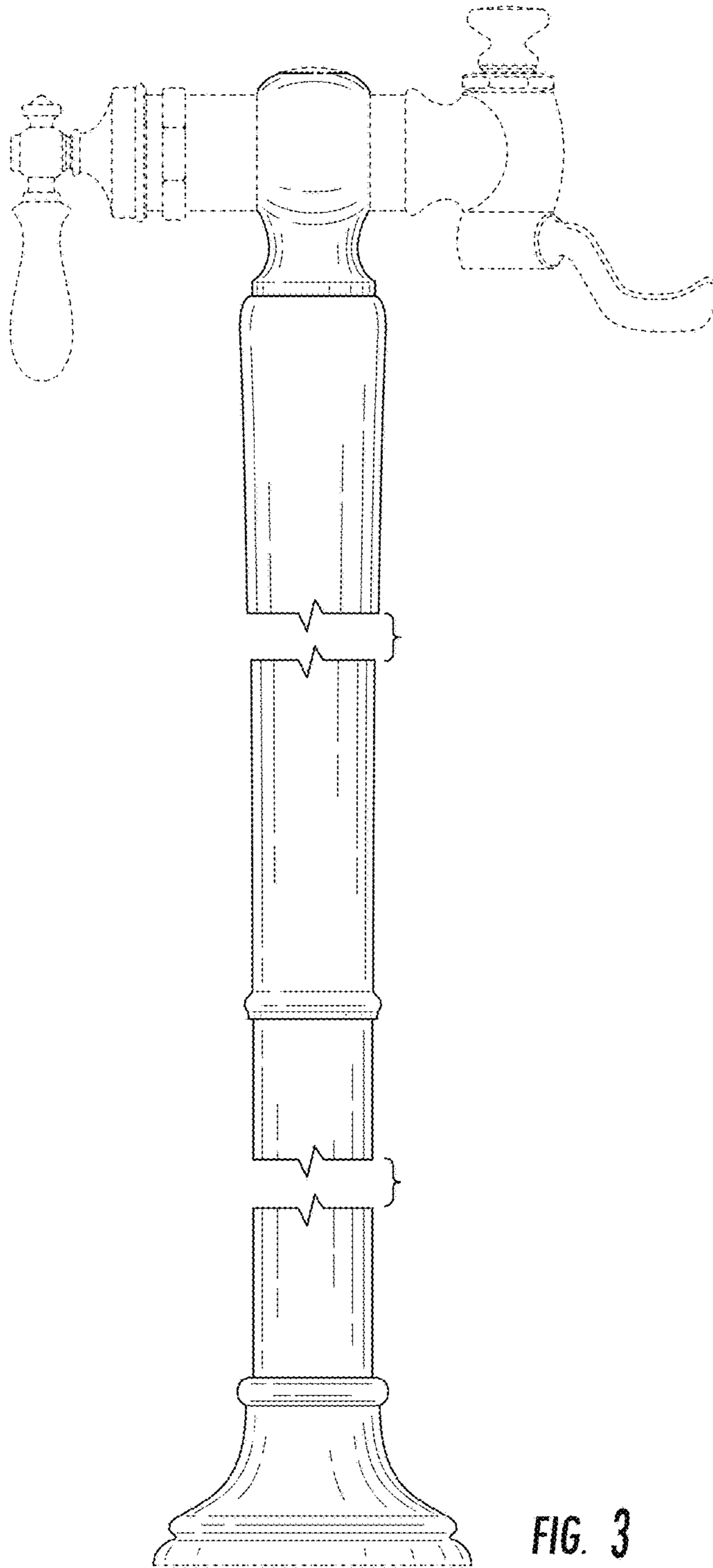


FIG. 3

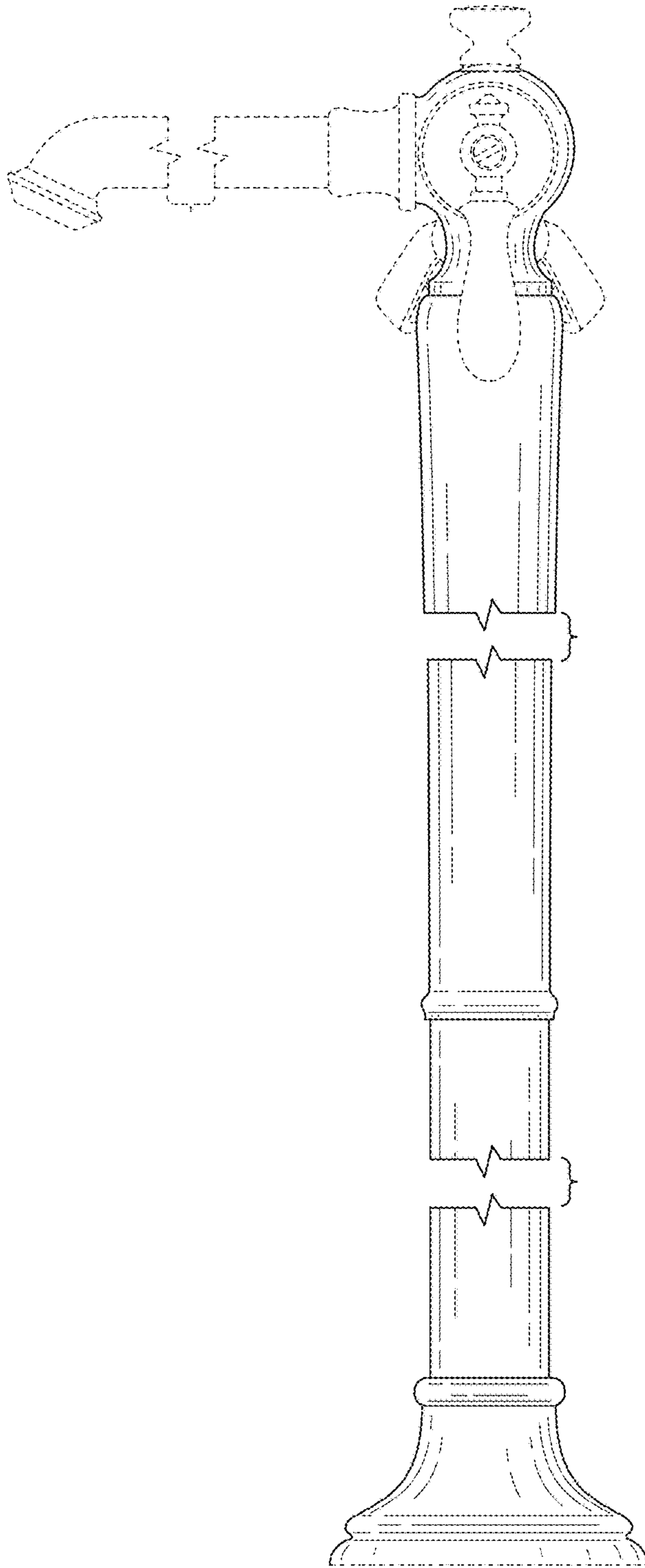


FIG. 4

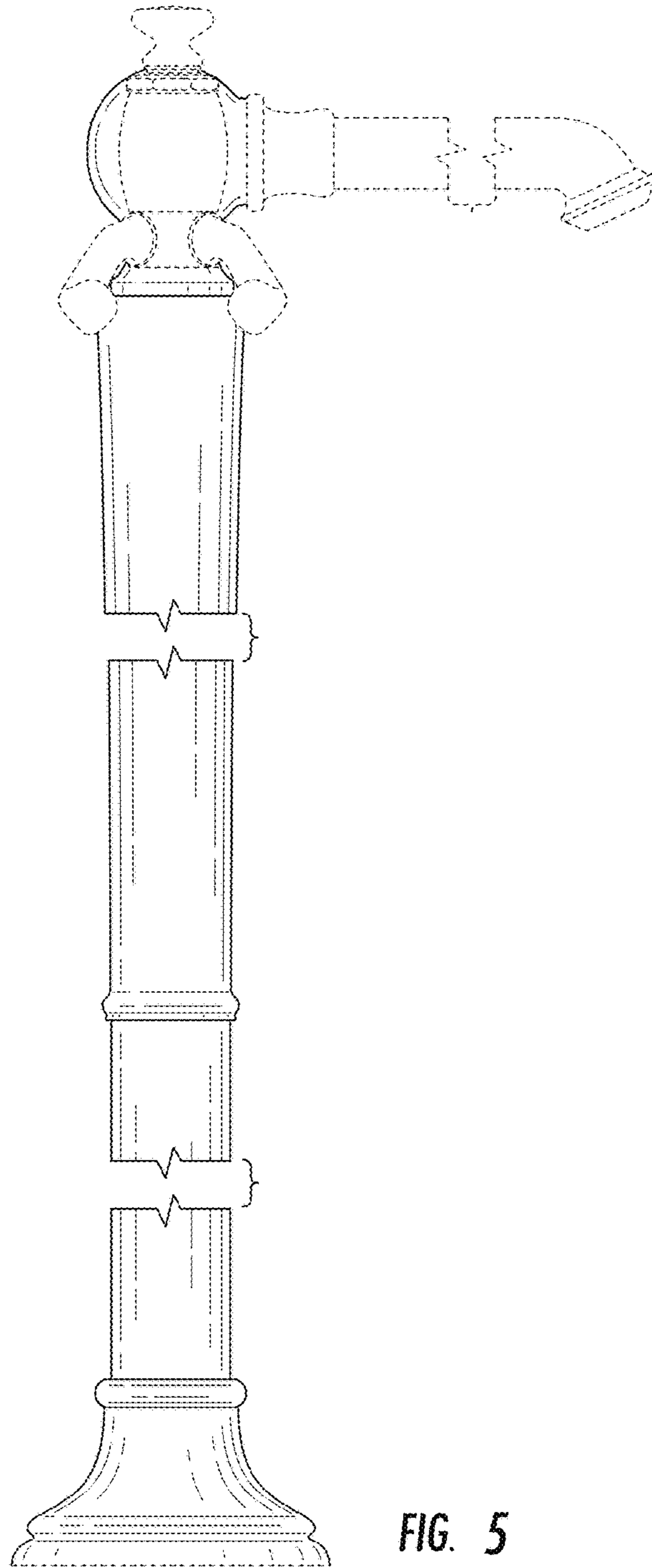


FIG. 5

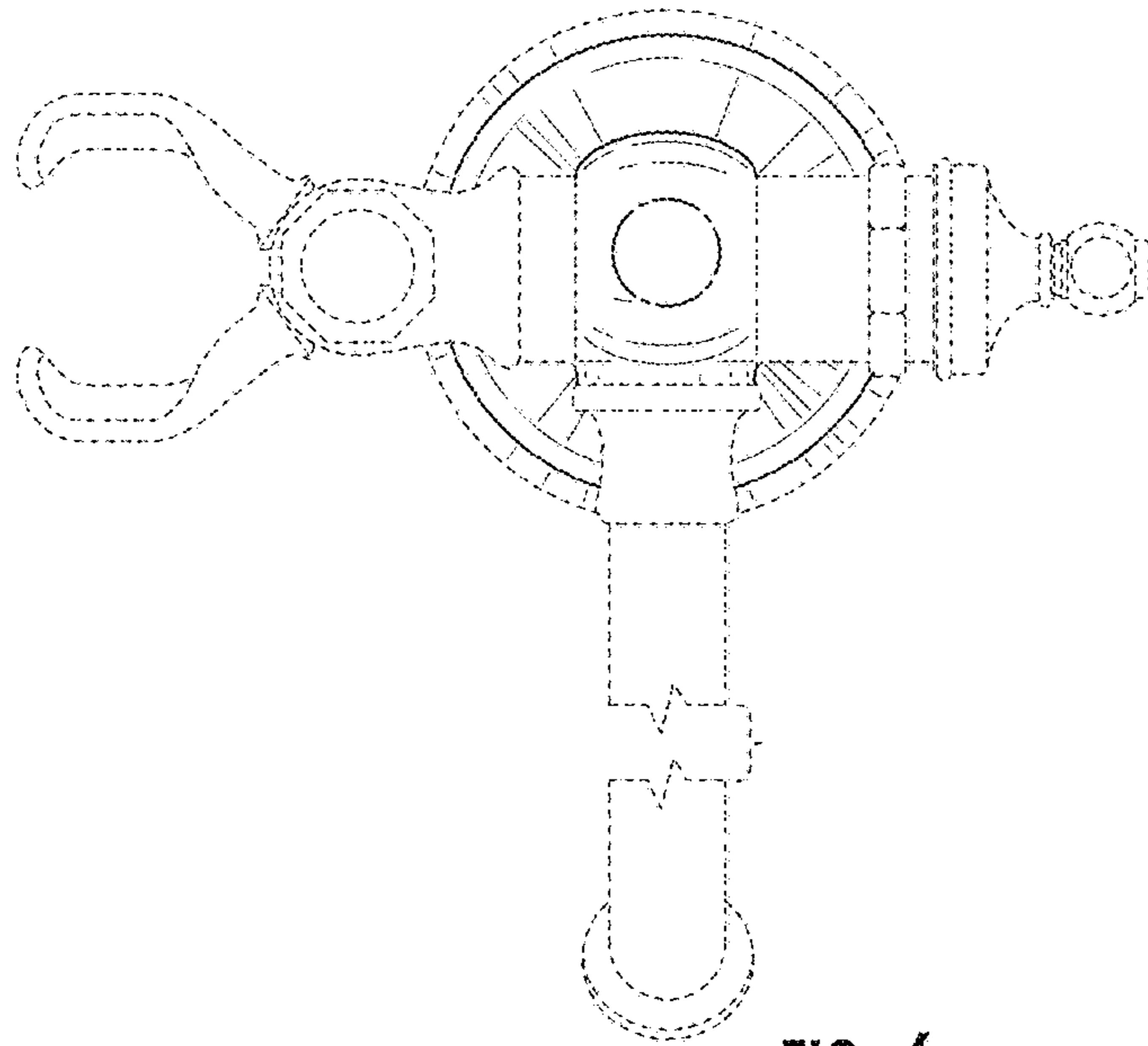


FIG. 6

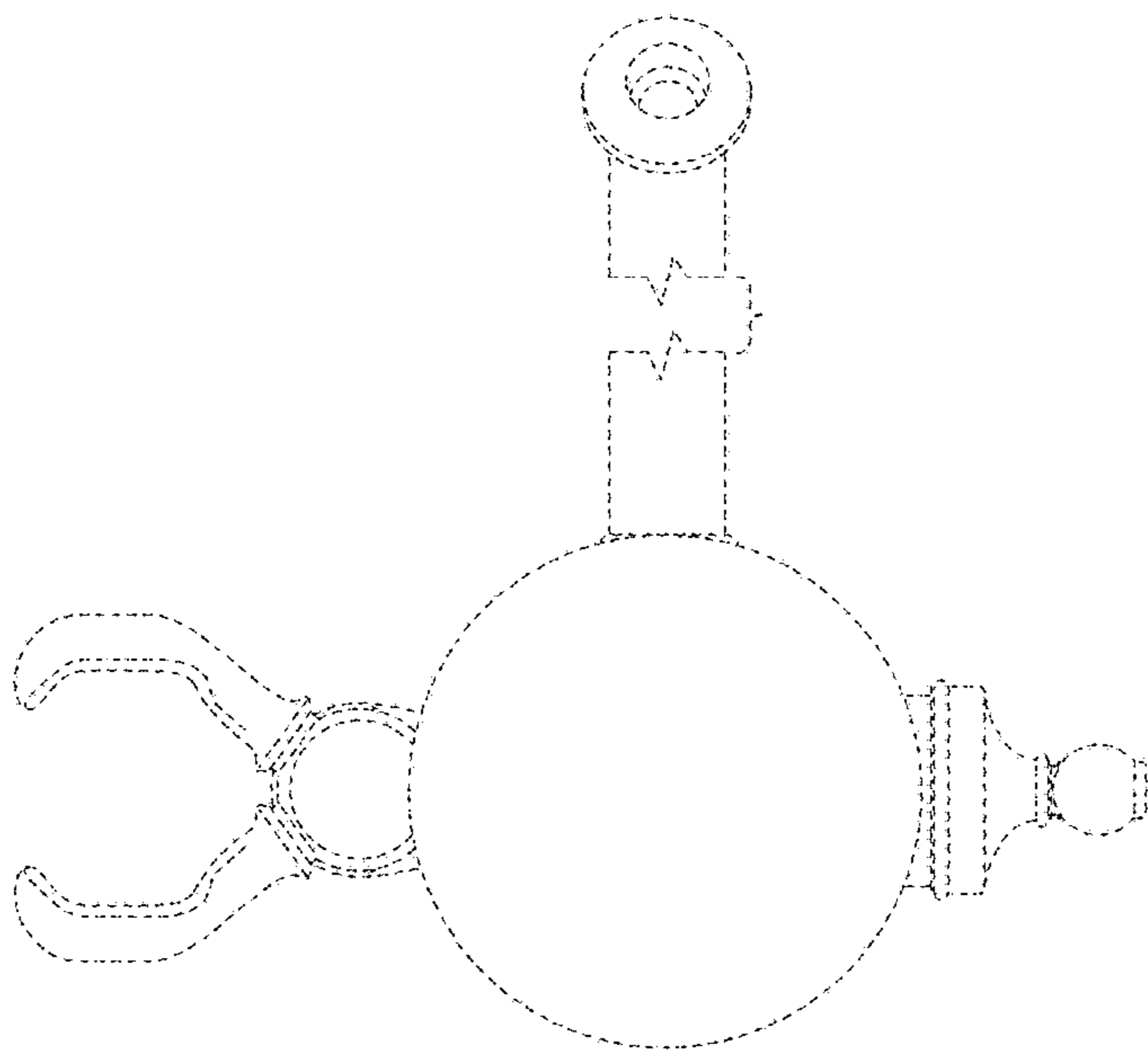


FIG. 7