



US00D849204S

(12) **United States Design Patent**
Feng

(10) **Patent No.:** **US D849,204 S**

(45) **Date of Patent:** **** May 21, 2019**

(54) **FAUCET**

D677,756 S * 3/2013 Lord D23/238
D685,060 S * 6/2013 Yu D23/238
D805,611 S 12/2017 Rexach

(71) Applicant: **Hui Chen**, Ruian (CN)

(72) Inventor: **Yadong Feng**, Ruian (CN)

(**) Term: **15 Years**

(21) Appl. No.: **29/675,026**

(22) Filed: **Dec. 28, 2018**

(51) **LOC (11) Cl.** **23-01**

(52) **U.S. Cl.**
USPC **D23/238**

(58) **Field of Classification Search**
USPC D23/238-243, 249-250, 252, 254-255,
D23/257; D8/307-308, 316
CPC ... Y10T 137/9464; E03C 1/04; E03C 1/0401;
E03C 1/0402; E03C 1/0404; E03C
1/0405; E03C 1/0412; E03C 1/0413;
E03C 1/0409; E03C 1/042; D05B 13/106
See application file for complete search history.

(56) **References Cited**

U.S. PATENT DOCUMENTS

D257,476 S * 11/1980 Sirois D8/316
D290,160 S * 6/1987 Paul D23/241
6,868,703 B2 * 3/2005 Molzer E05B 13/106
292/336.3
D510,411 S 10/2005 Lord
D515,663 S 2/2006 Lin
D570,449 S * 6/2008 Lee D23/238
D648,003 S * 11/2011 Gao D23/255
D650,259 S * 12/2011 Garancz D8/308
D664,242 S * 7/2012 Gao D23/252
D673,651 S * 1/2013 Uhl D23/238

OTHER PUBLICATIONS

Delta Faucet D554LFSS "Victorian" Single Hole Bathroom Sink
Faucet, Ferguson, <https://m.fergusonshowrooms.com/product/delta-faucet-D554LF-brilliance-stainless-268437>, NY, USA.
Hardware That Saves Space With Style: The Sink With Towel Bar,
Sociedadred, <http://www.sociedadred.org/post.html#c18yMzczODU=>.

* cited by examiner

Primary Examiner — Robert A Delehanty
(74) *Attorney, Agent, or Firm* — Wayne. V. Harper

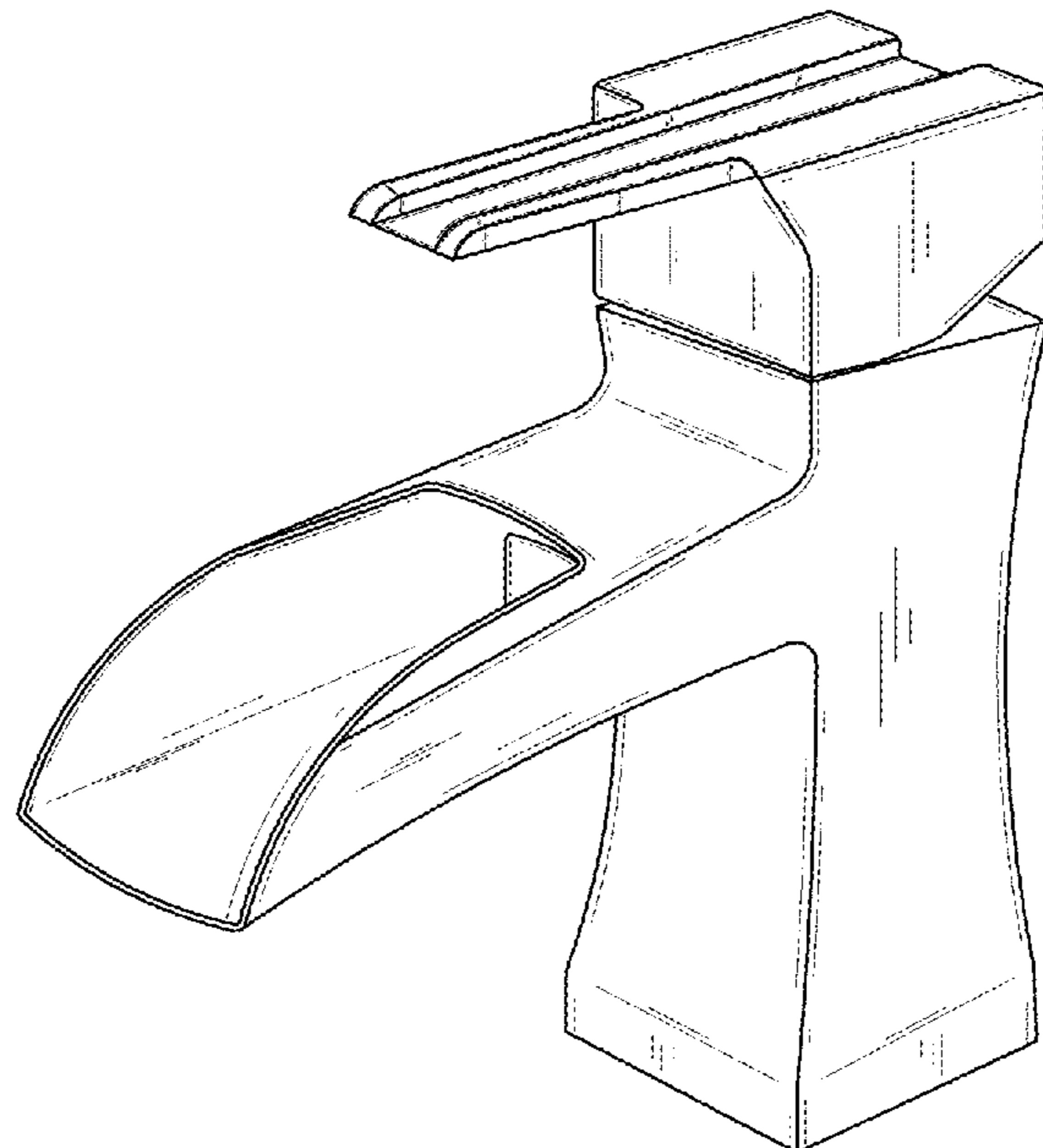
(57) **CLAIM**

I claim the ornamental design for a faucet, as shown and described.

DESCRIPTION

FIG. 1 is a perspective view of a faucet showing my new design;
FIG. 2 is another perspective view of the faucet as shown in FIG. 1;
FIG. 3 is front view of the faucet as shown in FIG. 1;
FIG. 4 is back view of the faucet as shown in FIG. 1;
FIG. 5 is left-side view of the faucet as shown in FIG. 1;
FIG. 6 is a right-side view of the faucet as shown in FIG. 1;
FIG. 7 is a top view of the faucet as shown in FIG. 1; and,
FIG. 8 is a bottom view of the faucet as shown in FIG. 1.
No particular colour scheme forms part of the claimed design.

1 Claim, 8 Drawing Sheets



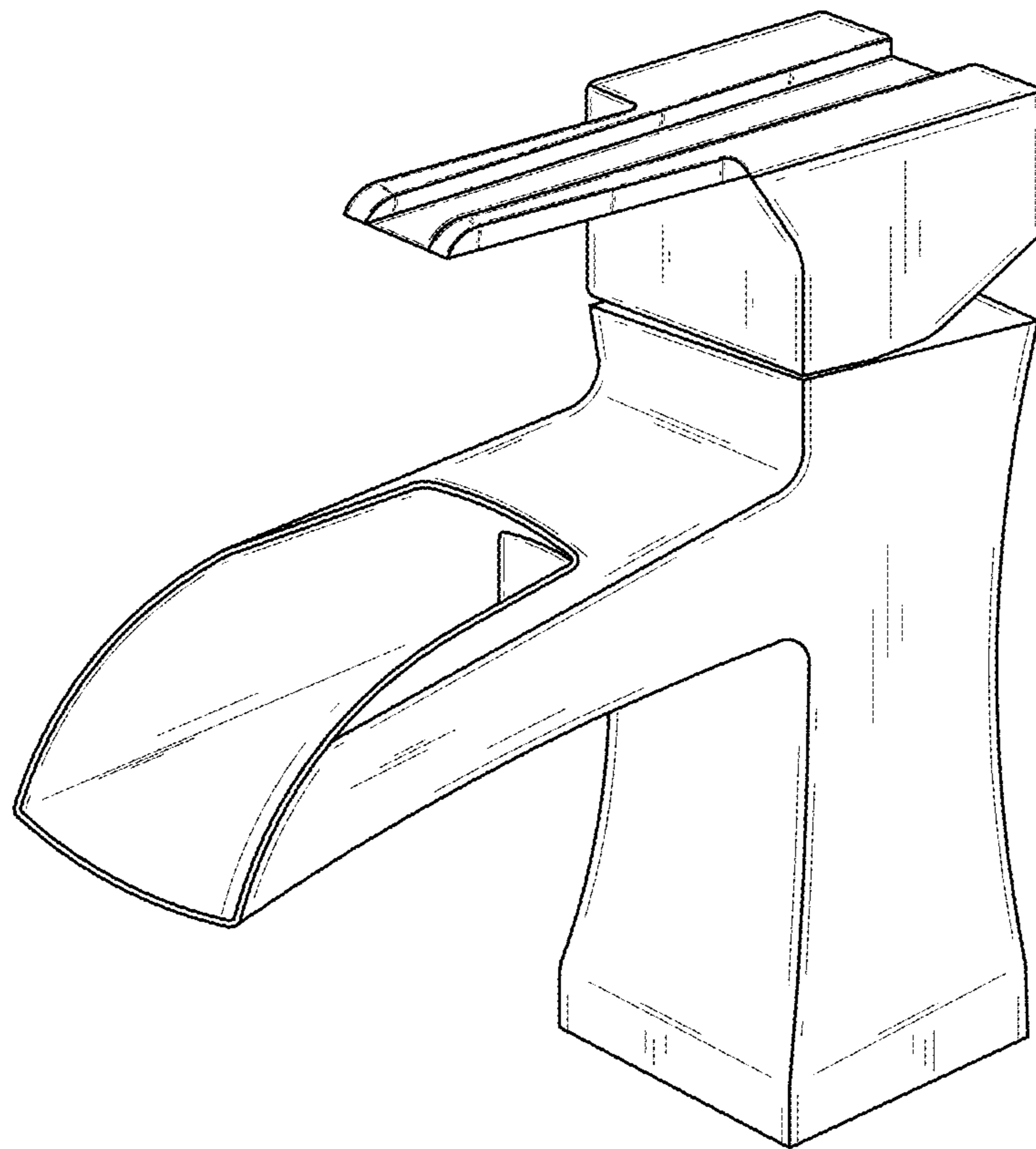


FIG. 1

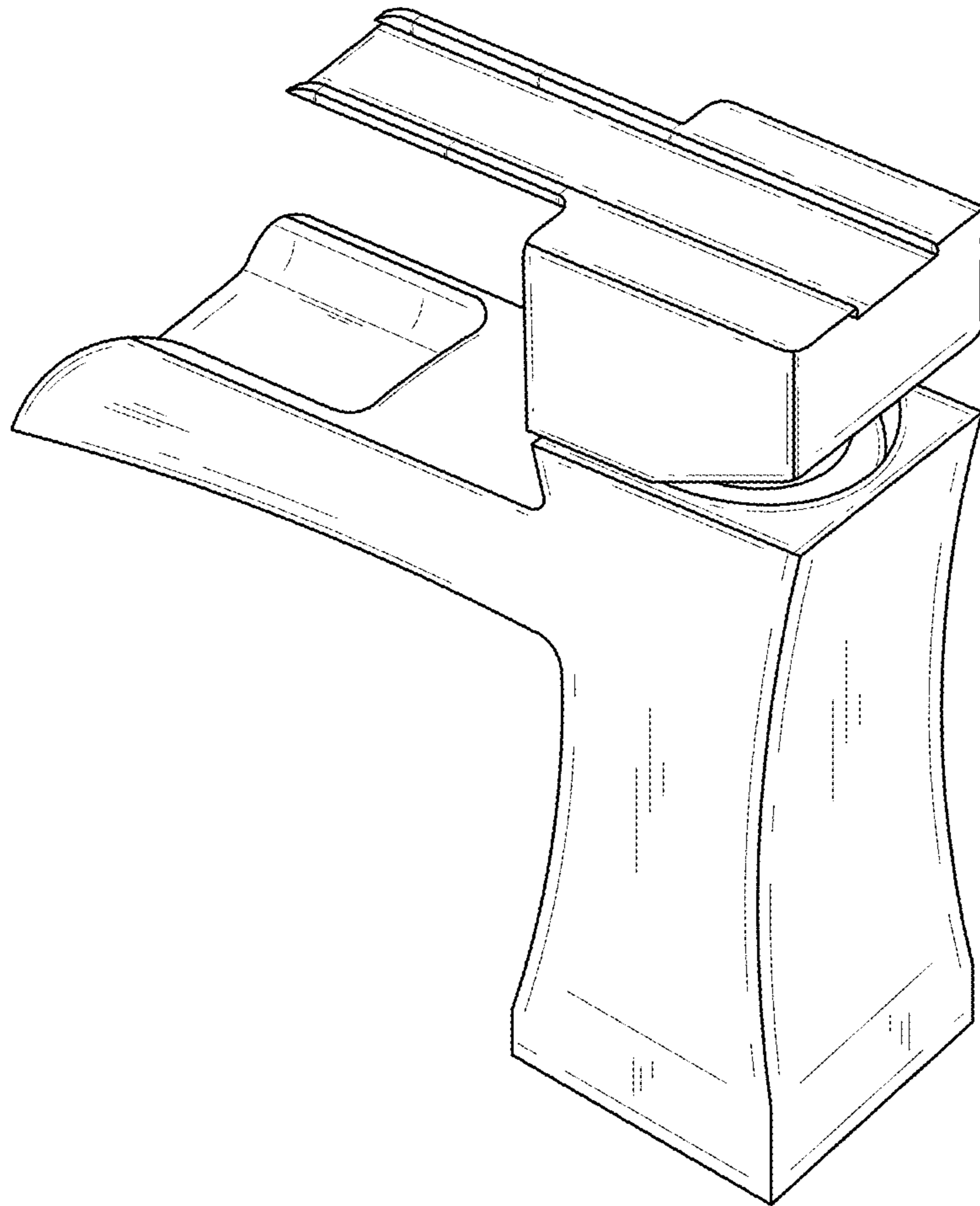


FIG. 2

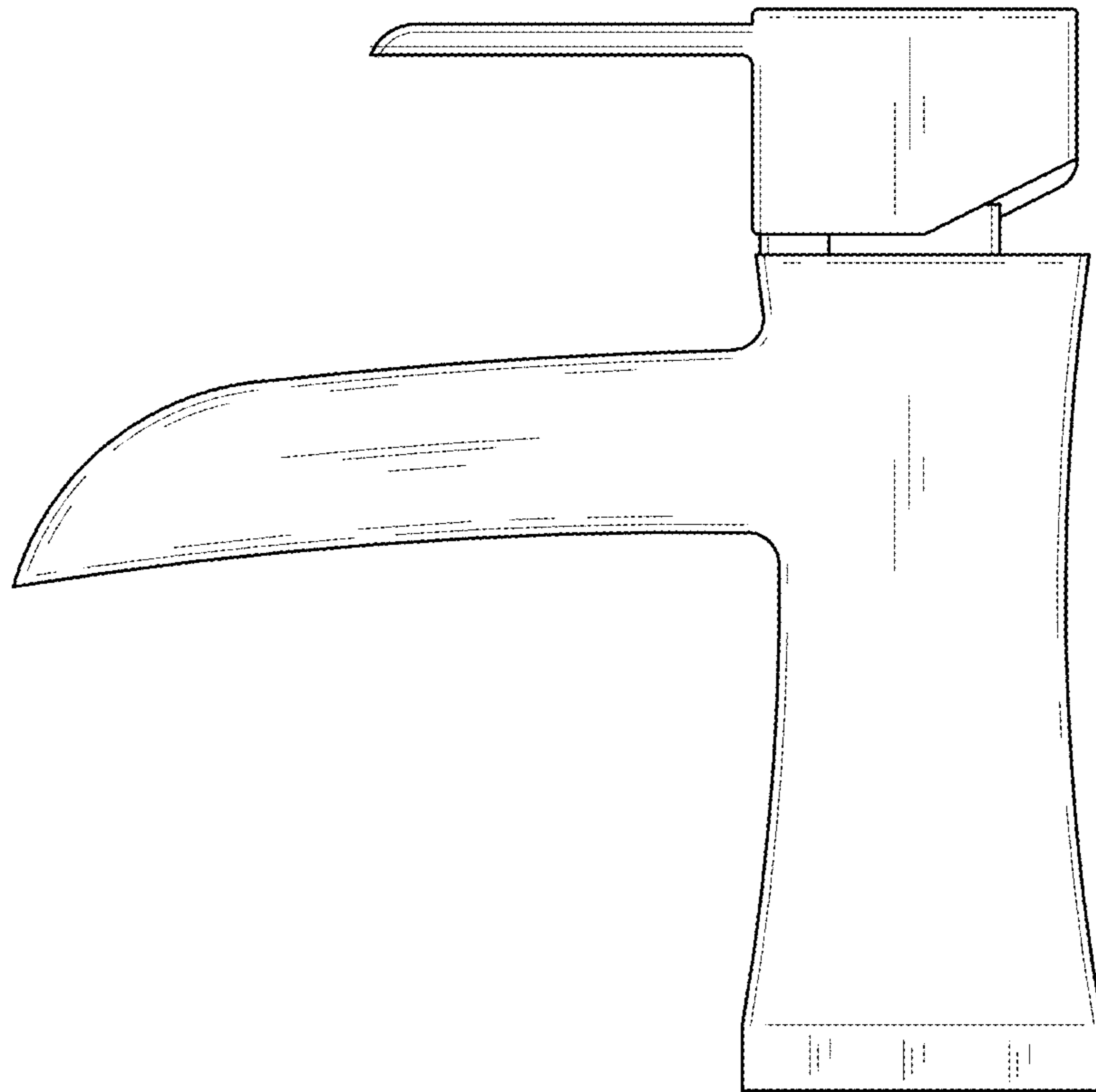


FIG. 3

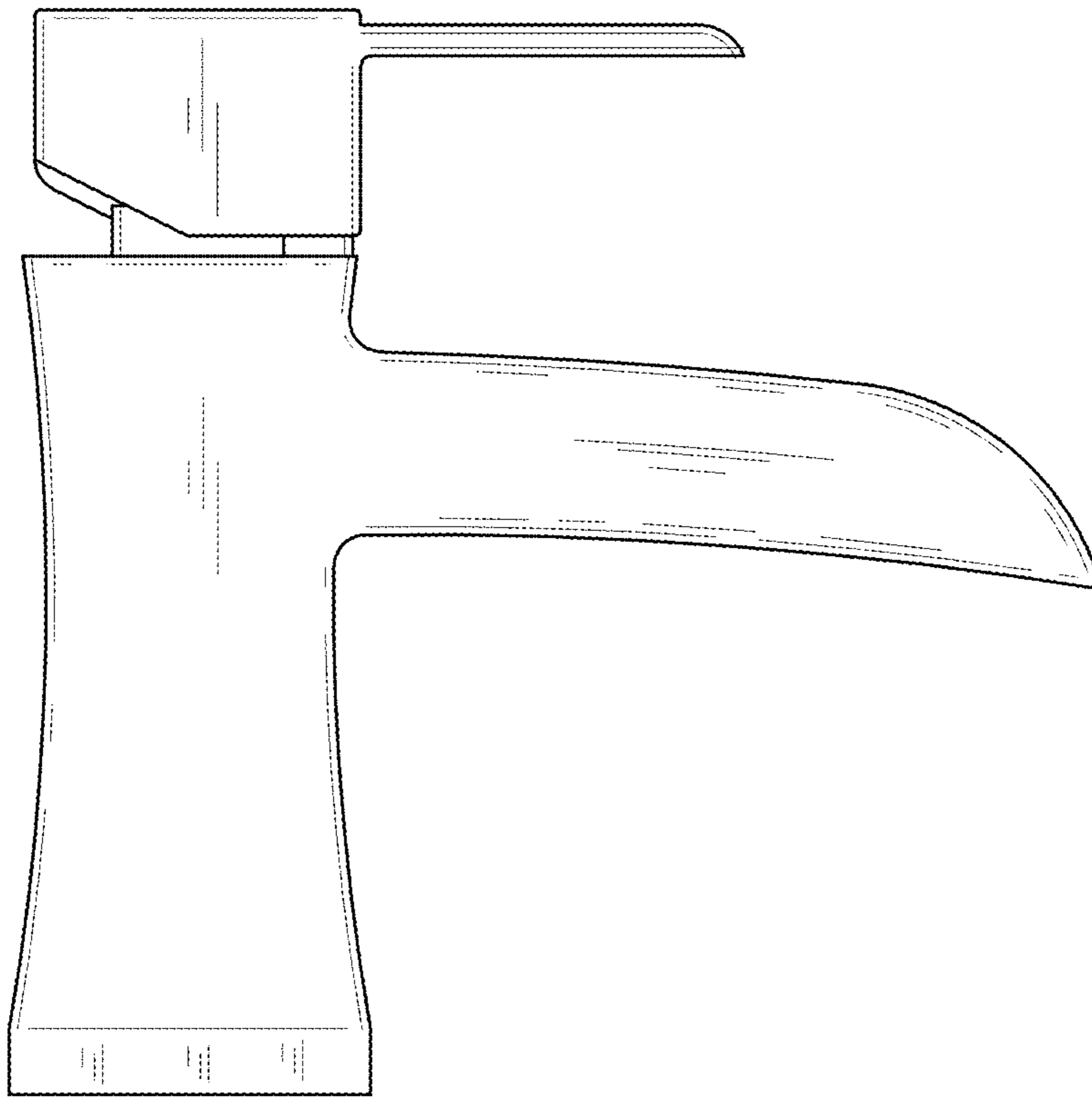


FIG. 4

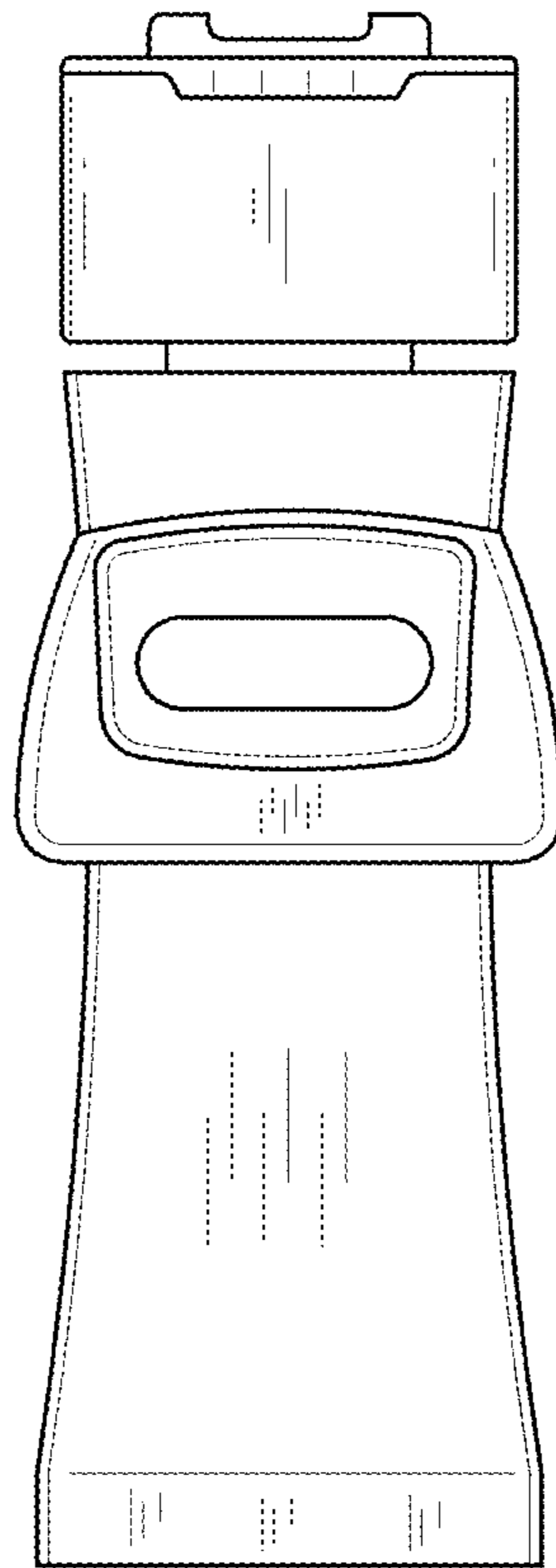


FIG. 5

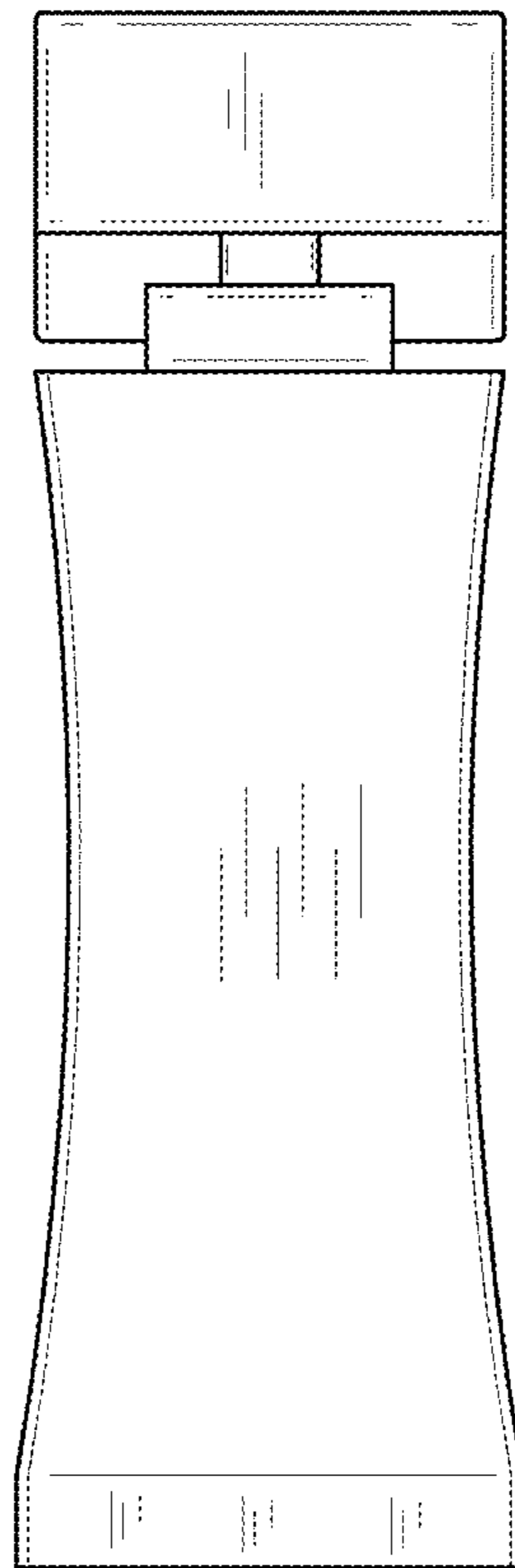


FIG. 6

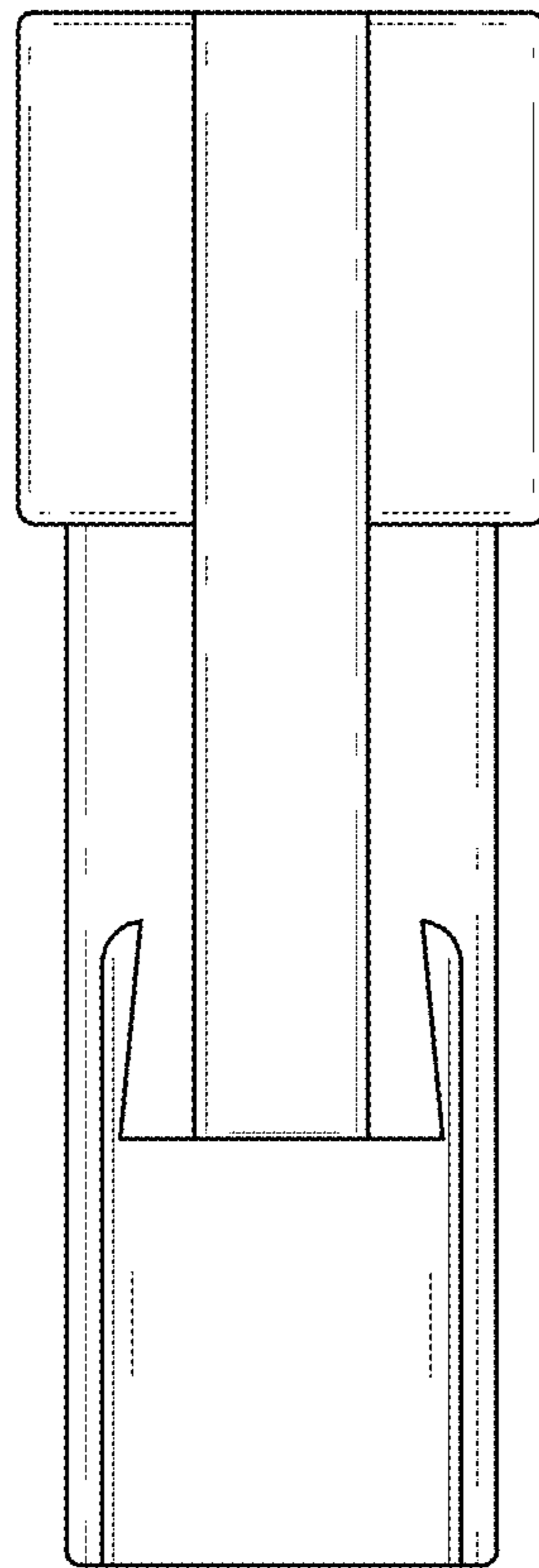


FIG. 7

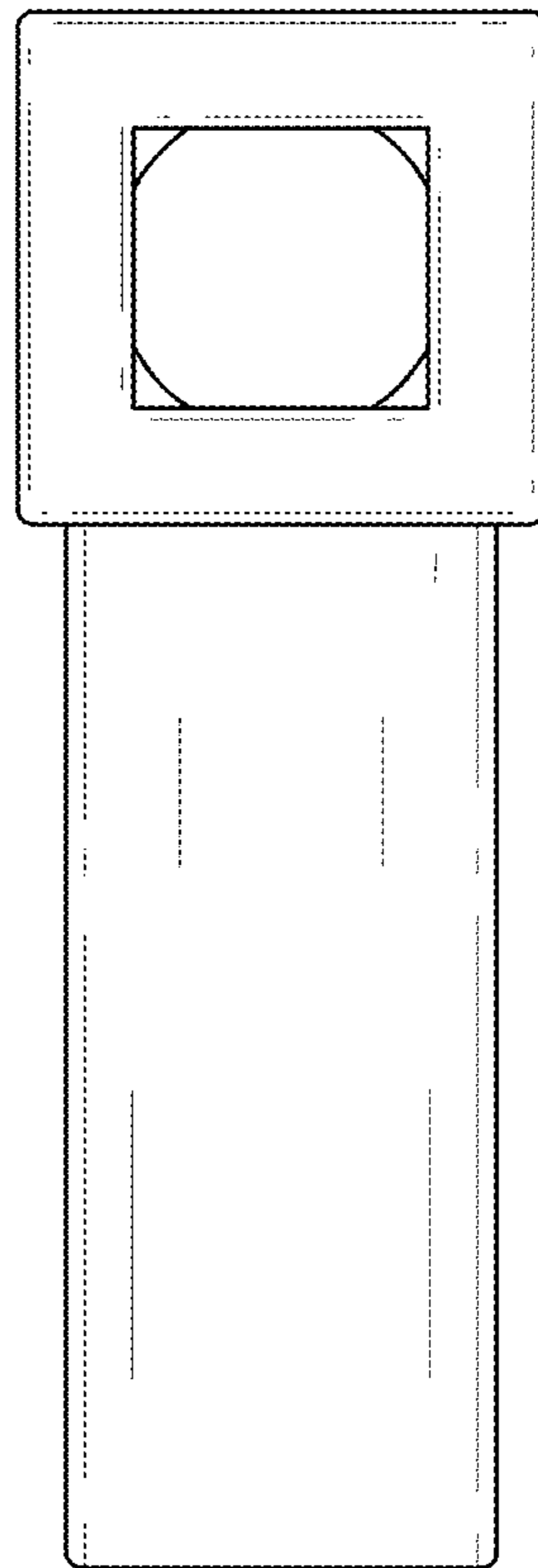


FIG. 8