



US00D849203S

(12) **United States Design Patent**  
**Zhang**

(10) **Patent No.:** **US D849,203 S**

(45) **Date of Patent:** **\*\* May 21, 2019**

(54) **FAUCET**

(71) Applicant: **Xinrui Zhang**, Kaiping (CN)

(72) Inventor: **Xinrui Zhang**, Kaiping (CN)

(\*\*) Term: **15 Years**

(21) Appl. No.: **29/671,106**

(22) Filed: **Nov. 22, 2018**

(51) **LOC (11) Cl.** ..... **23-01**

(52) **U.S. Cl.**  
USPC ..... **D23/238**

(58) **Field of Classification Search**

USPC ..... D23/238-243, 249-250, 252, 254-255,  
D23/257, 213, 223, 226, 229; D8/300,  
D8/307-308

CPC ... Y10T 137/9464; E03C 1/04; E03C 1/0401;  
E03C 1/0402; E03C 1/0404; E03C  
1/0405; E03C 1/0412; E03C 1/0413;  
E03C 1/0409; E03C 1/042

See application file for complete search history.

(56) **References Cited**

**U.S. PATENT DOCUMENTS**

D571,438 S *	6/2008	Gilbert	.....	D23/249
D580,023 S *	11/2008	Gilbert	.....	D23/255
D599,442 S *	9/2009	Fakonas	.....	D23/252
D602,572 S *	10/2009	Kwok	.....	D23/249
D606,170 S *	12/2009	Lammel	.....	D23/252
7,753,079 B2 *	7/2010	Nelson	.....	E03C 1/0404 137/801
D651,287 S *	12/2011	Kwok	.....	D23/252
D655,790 S *	3/2012	Kwok	.....	D23/252

D701,942 S *	4/2014	Flowers	.....	D23/213
D703,790 S *	4/2014	Mazz	.....	D23/238
D797,902 S *	9/2017	Georgeson	.....	D23/255
10,150,122 B2 *	12/2018	Wang	.....	E03C 1/04

\* cited by examiner

*Primary Examiner* — Robert A Delehanty

(74) *Attorney, Agent, or Firm* — Wayne V. Harper

(57) **CLAIM**

I claim the ornamental design for a faucet, as shown and described.

**DESCRIPTION**

FIG. 1 is a perspective view of a faucet showing my new design;

FIG. 2 is back perspective view of the faucet as shown in FIG. 1;

FIG. 3 is a left-side view of the faucet as shown in FIG. 1;

FIG. 4 is a right-side view of the faucet as shown in FIG. 1;

FIG. 5 is a front-side view of the faucet as shown in FIG. 1;

FIG. 6 is a back-side view of the faucet as shown in FIG. 1;

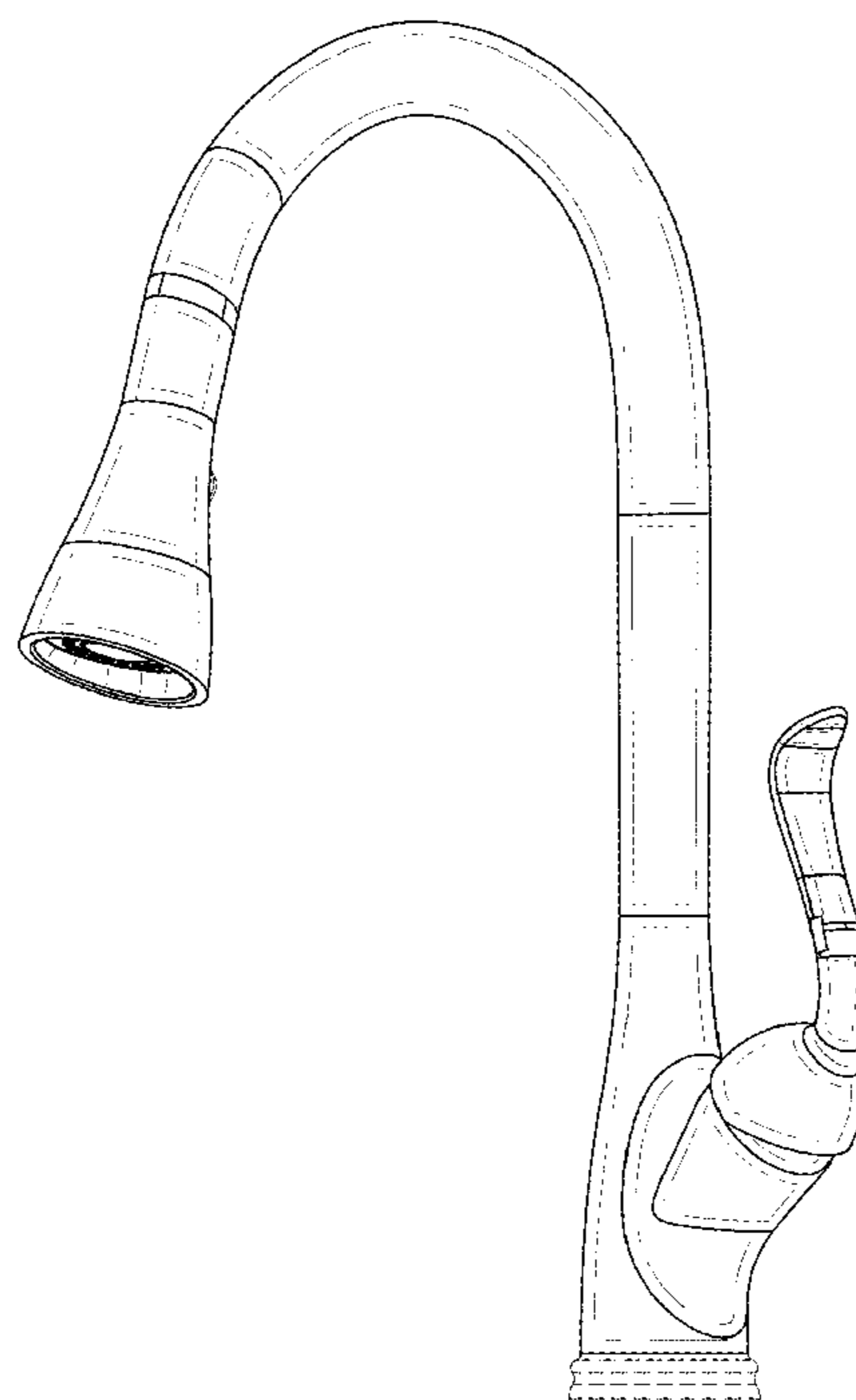
FIG. 7 is a top-side view of the faucet as shown in FIG. 1;

and,

FIG. 8 is a bottom-side view of the faucet as shown in FIG. 1.

The broken lines are only for environmental purposes and form no part of the claimed design. No particular colour scheme forms part of the claimed design.

**1 Claim, 7 Drawing Sheets**



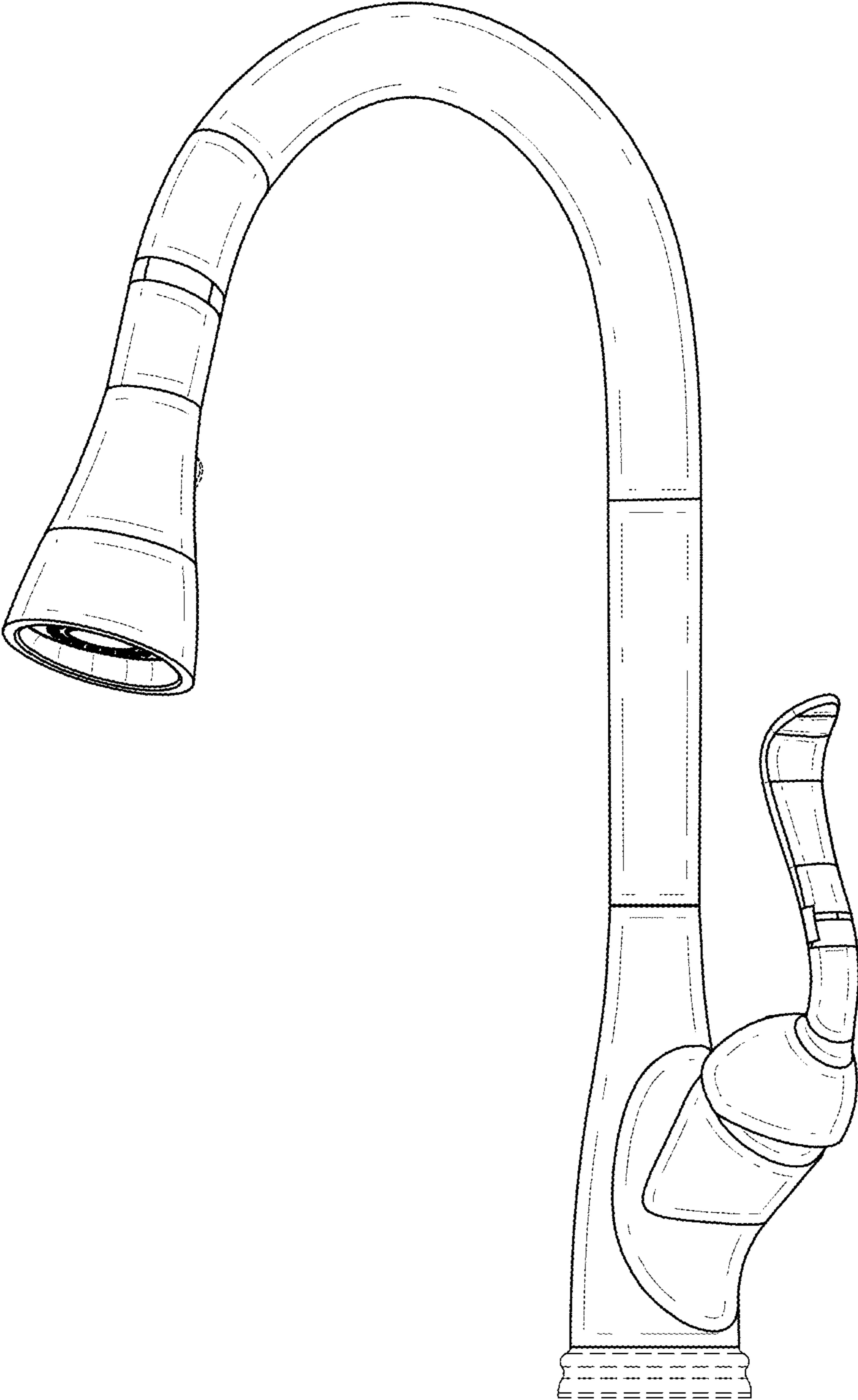


FIG. 1

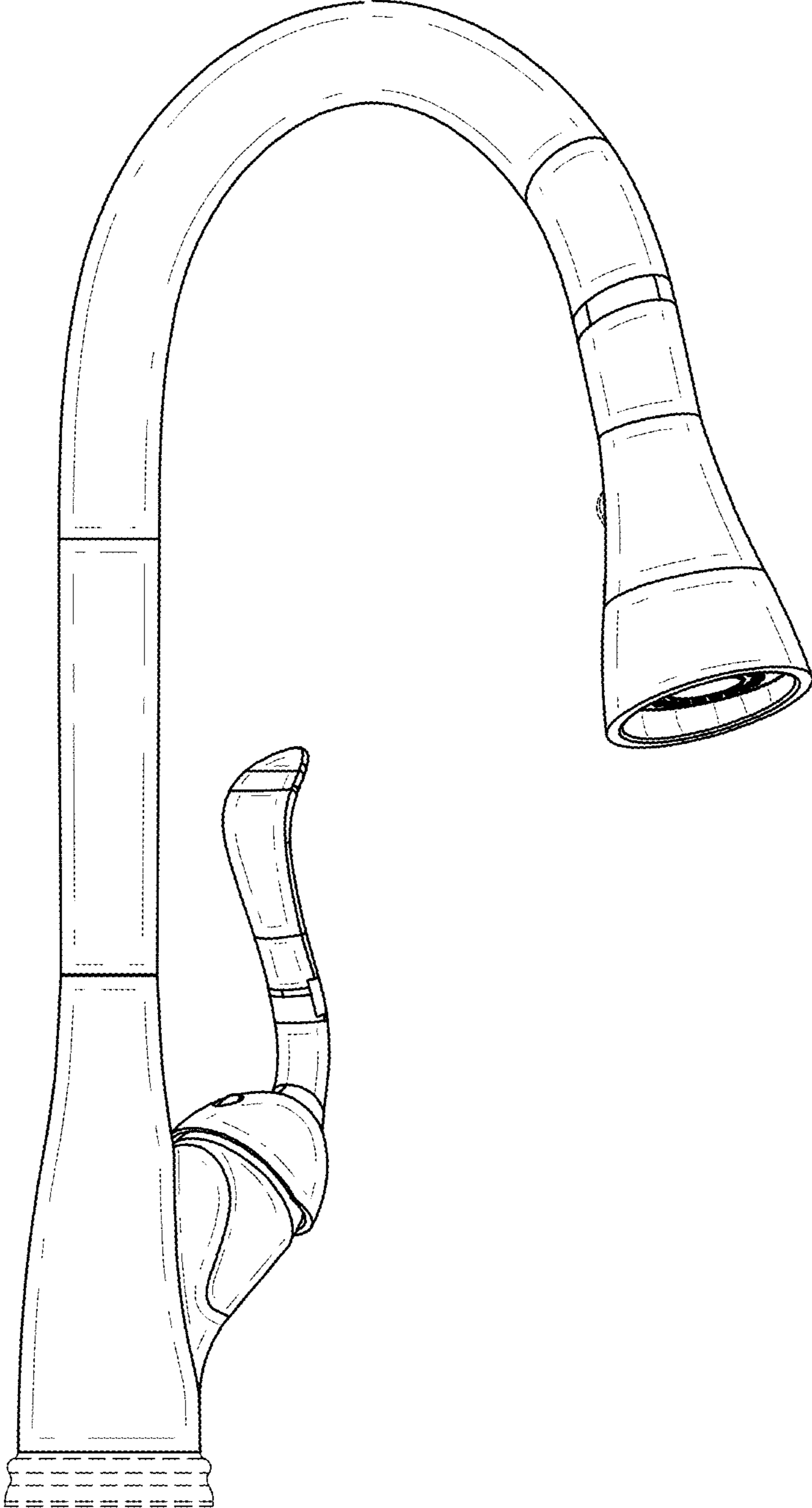


FIG. 2

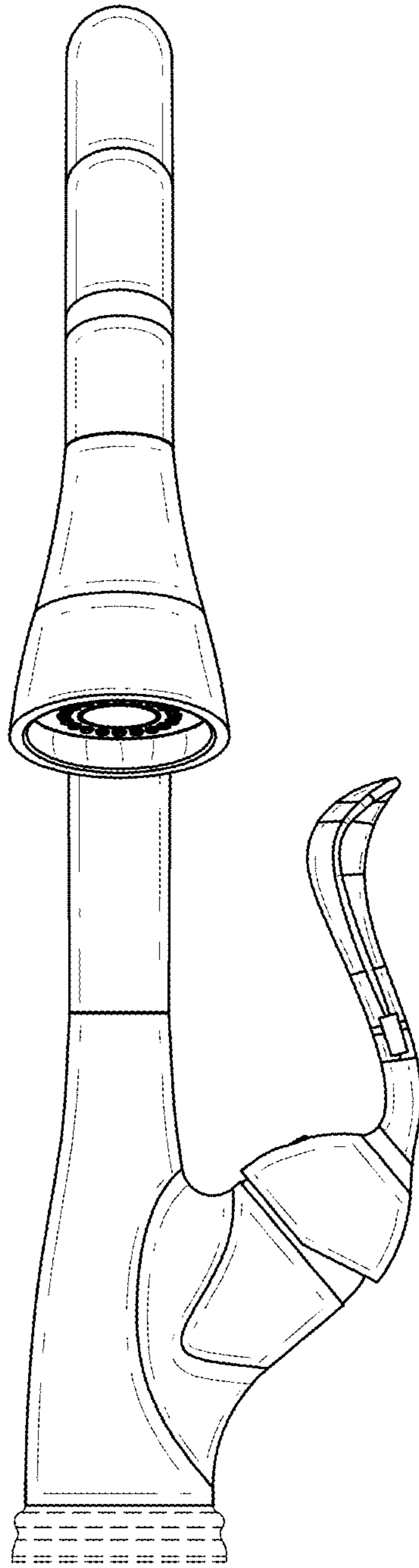


FIG. 3

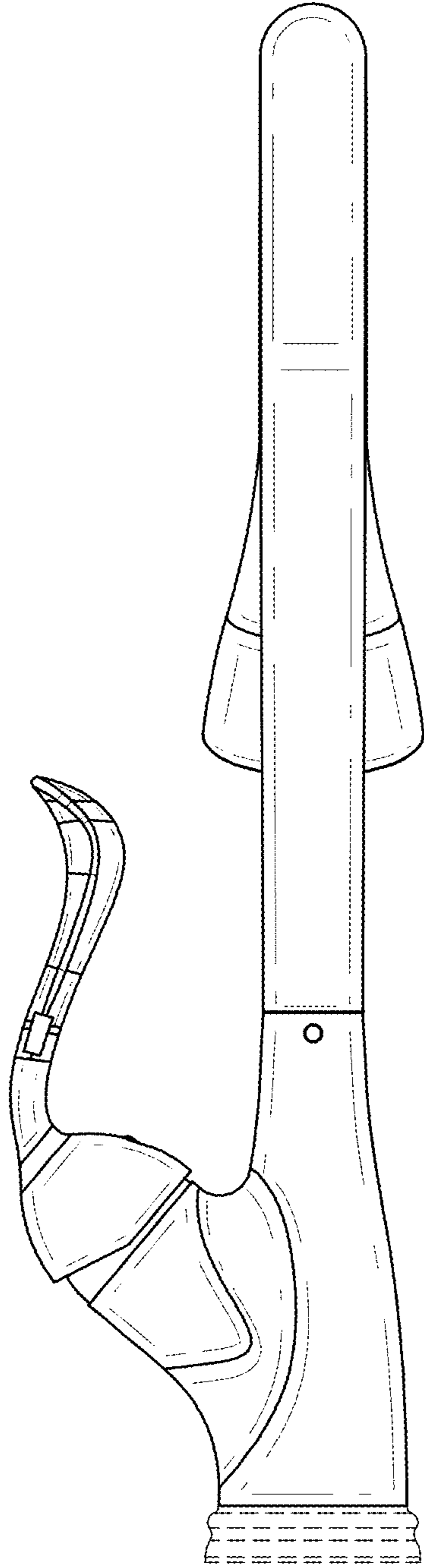


FIG. 4

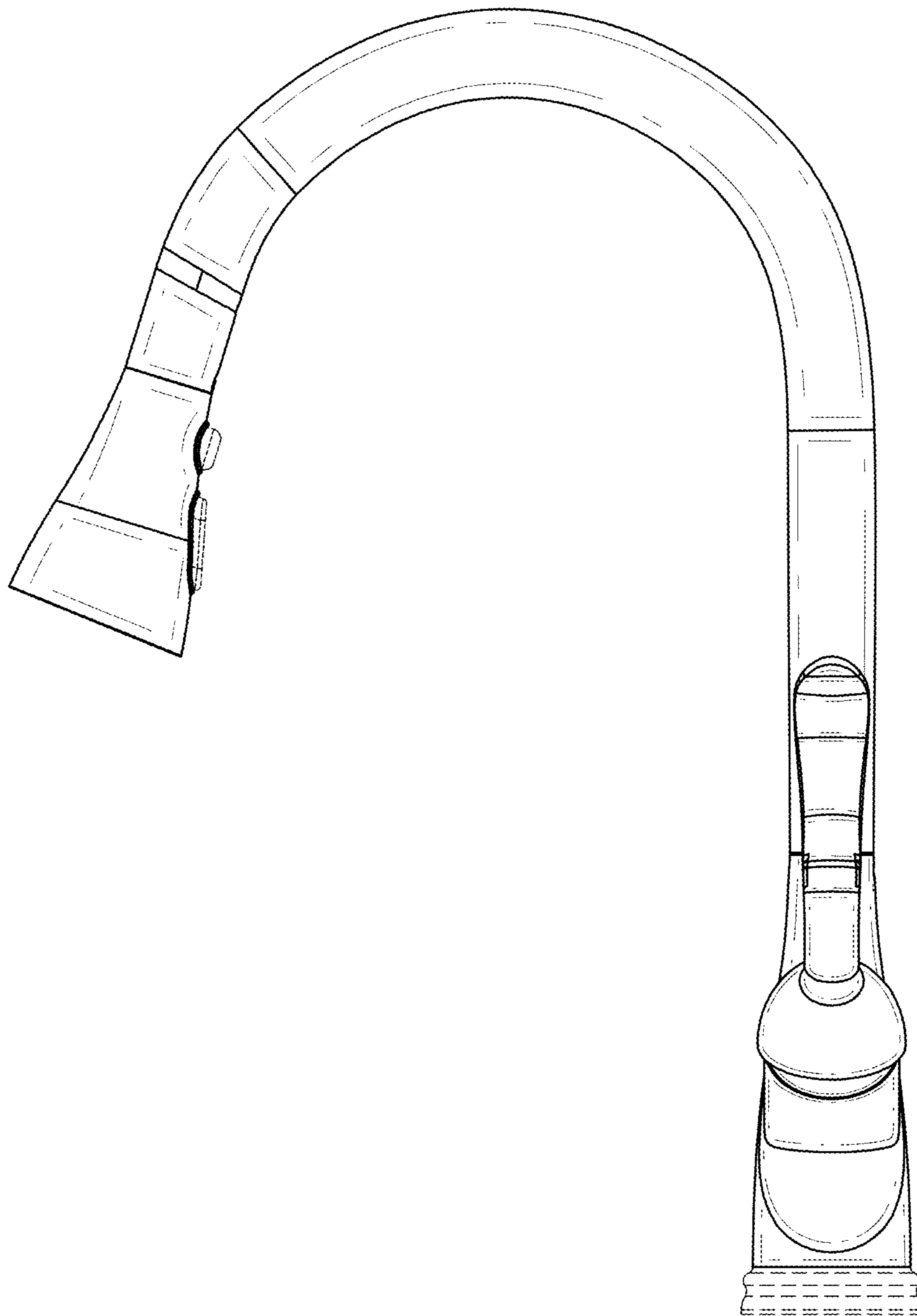


FIG. 5

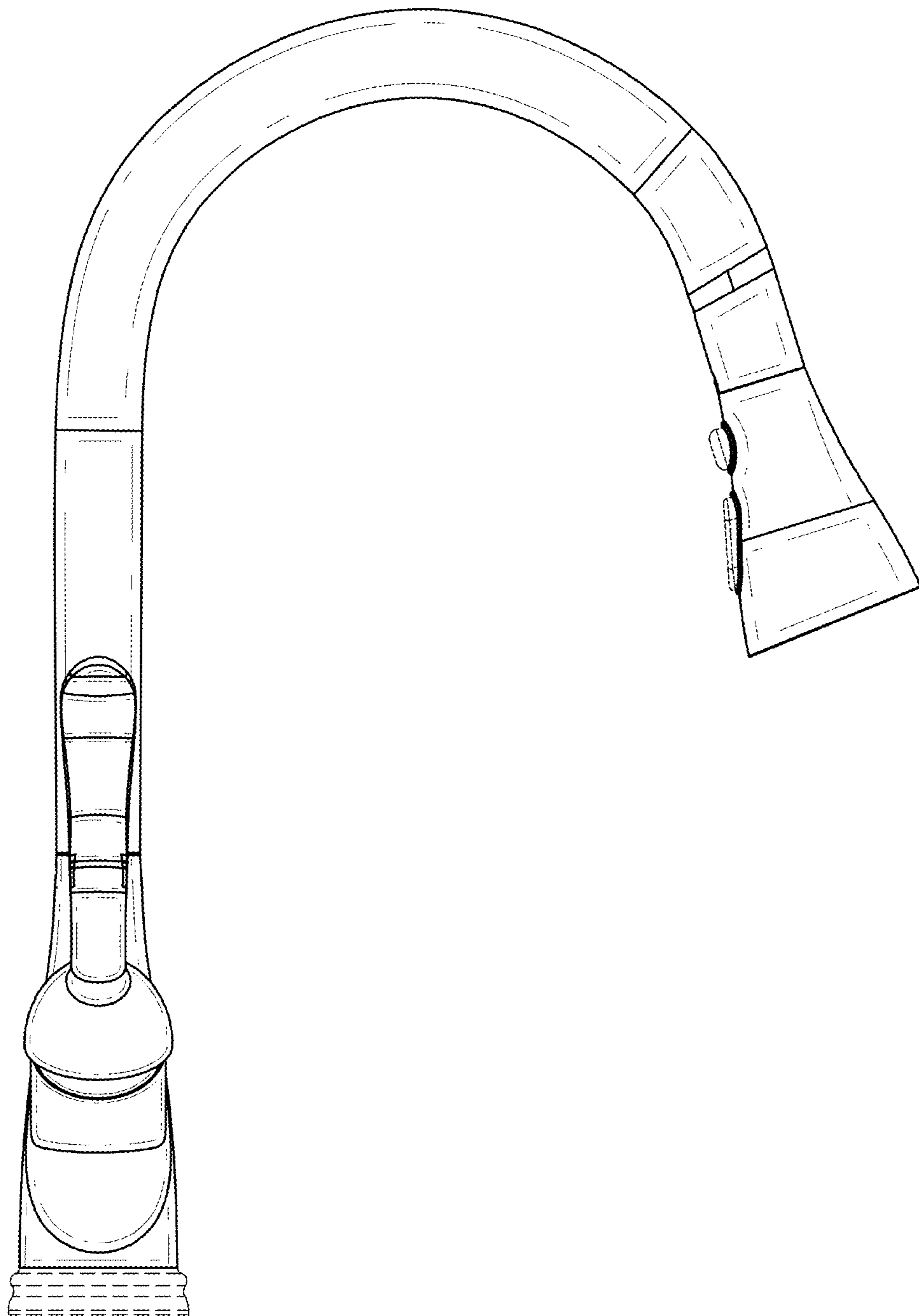


FIG. 6

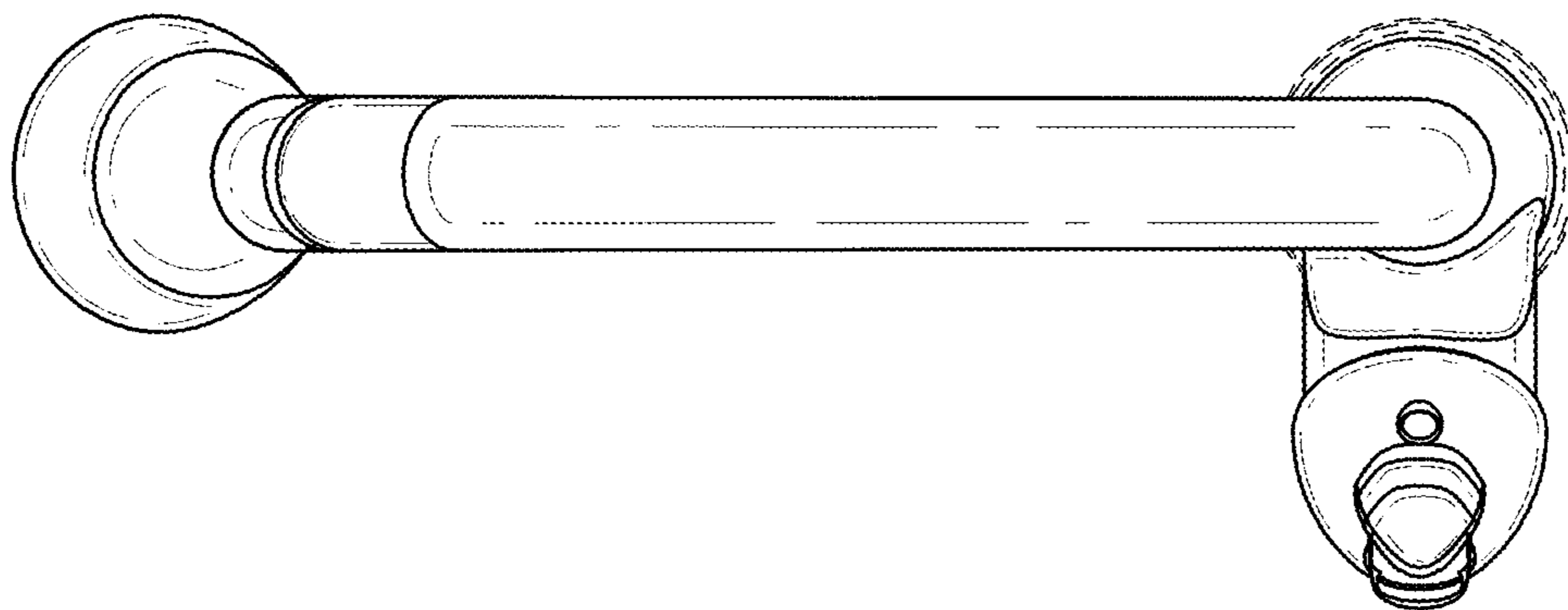


FIG. 7

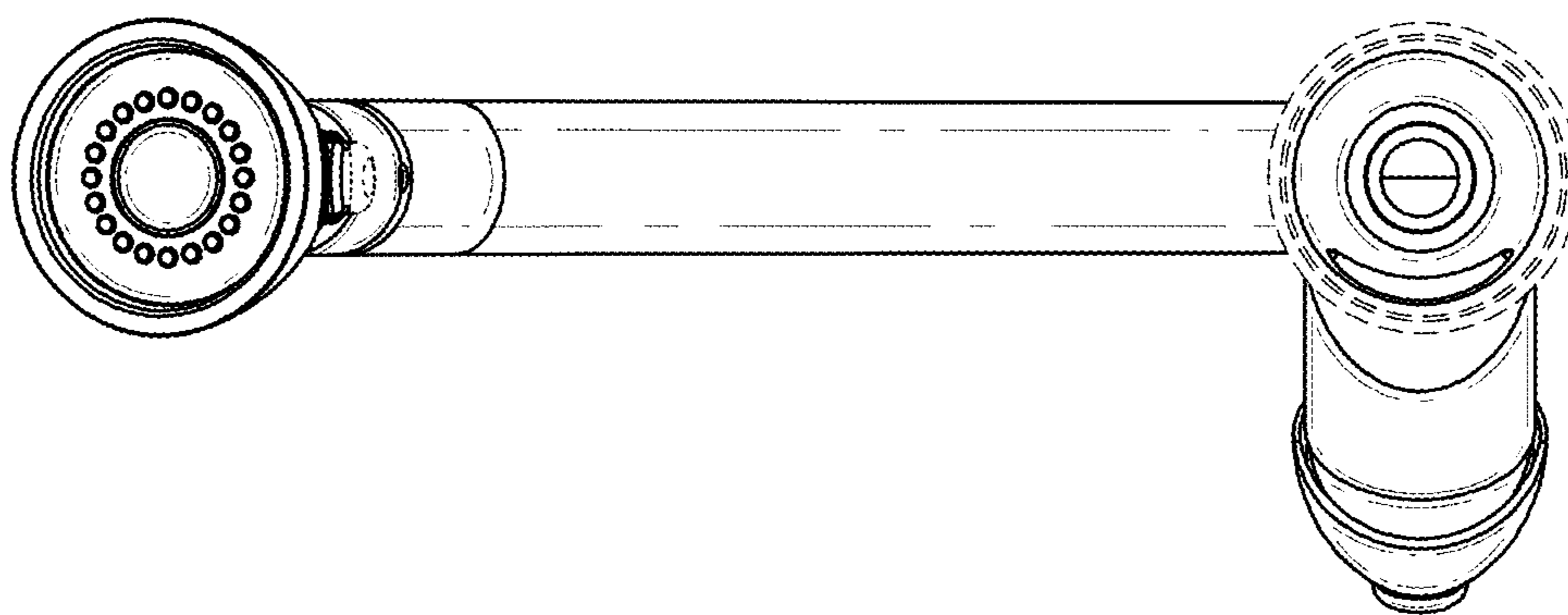


FIG. 8