



US00D849199S

(12) **United States Design Patent** (10) **Patent No.:** **US D849,199 S**
Shunji et al. (45) **Date of Patent:** **** May 21, 2019**

(54) **VALVE**

F15B 13/0821; F15B 13/0832; F16L 29/00; F24F 11/04; F24F 13/10

(71) Applicant: **FUJIKIN INCORPORATED**, Osaka (JP)

See application file for complete search history.

(72) Inventors: **Obara Shunji**, Osaka (JP); **Ishibashi Keisuke**, Osaka (JP); **Yakushijin Tadayuki**, Osaka (JP); **Masuda Kazutaka**, Osaka (JP); **Tsuda Hidehiko**, Osaka (JP)

(56) **References Cited**

U.S. PATENT DOCUMENTS

D234,359	S	*	2/1975	Holben	D23/235
D236,266	S	*	8/1975	Holben	D23/235
D294,964	S	*	3/1988	Mendenhall	D23/214
D301,917	S	*	6/1989	Ogasawara	D10/85
D317,494	S	*	6/1991	Miyake	D23/235
D373,176	S	*	8/1996	Booth	D23/233
D416,076	S	*	11/1999	Okitsu	D23/235
D500,842	S	*	1/2005	Croft	D23/245
D511,369	S	*	11/2005	Croft	D23/233
D527,073	S	*	8/2006	Yajima	D23/233
D541,905	S	*	5/2007	Yajima	D23/233
D542,888	S	*	5/2007	Ye	D23/233
D646,753	S	*	10/2011	Juul	D23/233
D699,815	S	*	2/2014	Petersen	D23/233
D760,352	S	*	6/2016	Mangold	D23/233
D790,663	S	*	6/2017	Petersen	D23/234

(Continued)

(**) Term: **15 Years**

(21) Appl. No.: **35/503,342**

(22) Filed: **Nov. 24, 2016**

(80) **Hague Agreement Data**

Int. Filing Date: **Nov. 24, 2016**

Int. Reg. No.: **DM/096730**

Int. Reg. Date: **Nov. 24, 2016**

Int. Reg. Pub. Date: **Jul. 14, 2017**

Primary Examiner — Melanie Pellegrini

(51) **LOC (11) Cl.** **23-01**

(57) **CLAIM**

(52) **U.S. Cl.**

The ornamental design for a valve, as shown and described.

USPC **D23/234**

DESCRIPTION

(58) **Field of Classification Search**

USPC D23/233–250, 255, 259; D15/7, 199; 4/249, 255.03, 300, 305, 319, 323, 325, 4/378, 392–396, 420, 427, 431–435, 437, 4/438, 440–442, 661; 137/1, 50, 57, 61, 137/61.1, 357, 115.23, 596.14, 599.07, 137/487.5, 271, 269, 625.64, 343; 251/331, 291, 15, 129.04, 129.15, 129.01; 239/585.1

1. Valve

1.1 : Top

1.2 : Bottom

1.3 : Front

1.4 : Back

1.5 : Right

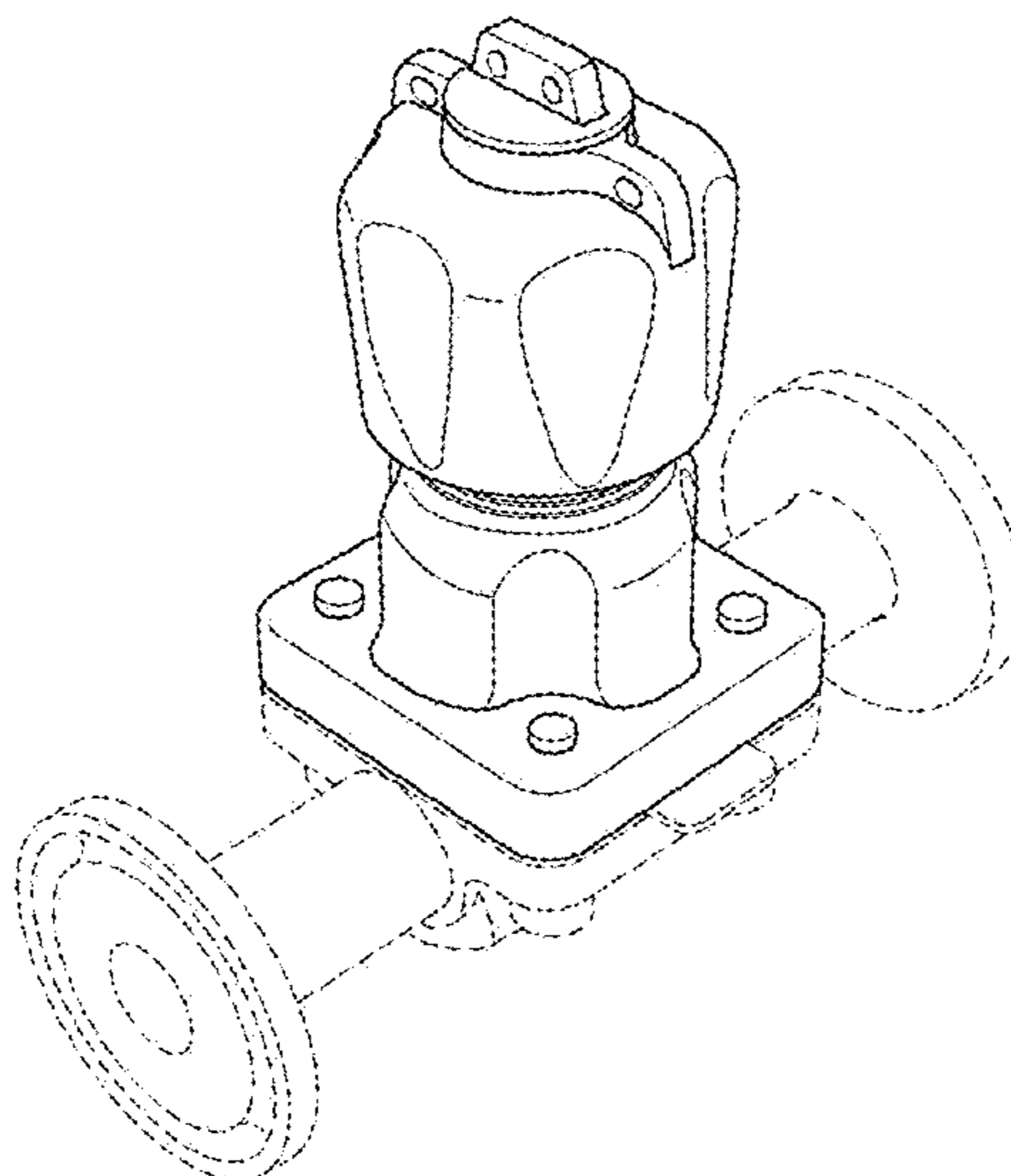
1.6 : Perspective

Left side view is omitted because it is identical to the right side view; only the parts indicated in solid lines are the features requiring the design protection.

The broken lines are for the purpose of illustrating portions of the valve and form no part of the claimed design.

CPC F16K 31/0675; F16K 13/02; F16K 15/02; F16K 15/063; F16K 17/003; F16K 13/0817; F15B 13/0828; F15B 13/0839; F15B 13/0846; F15B 13/0857; F15B 13/0875; F15B 20/00; F15B 13/0814;

1 Claim, 6 Drawing Sheets



(56)

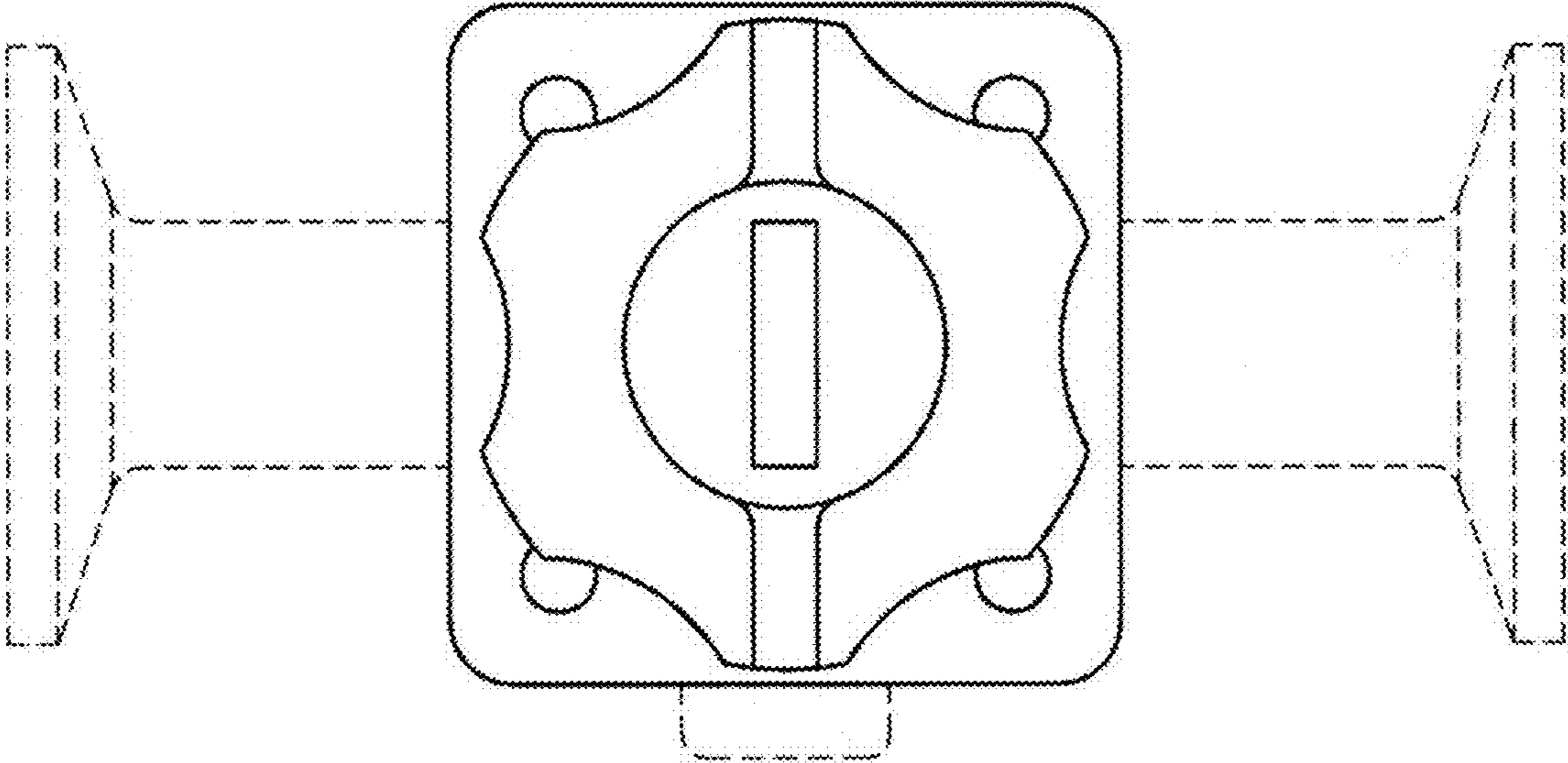
References Cited

U.S. PATENT DOCUMENTS

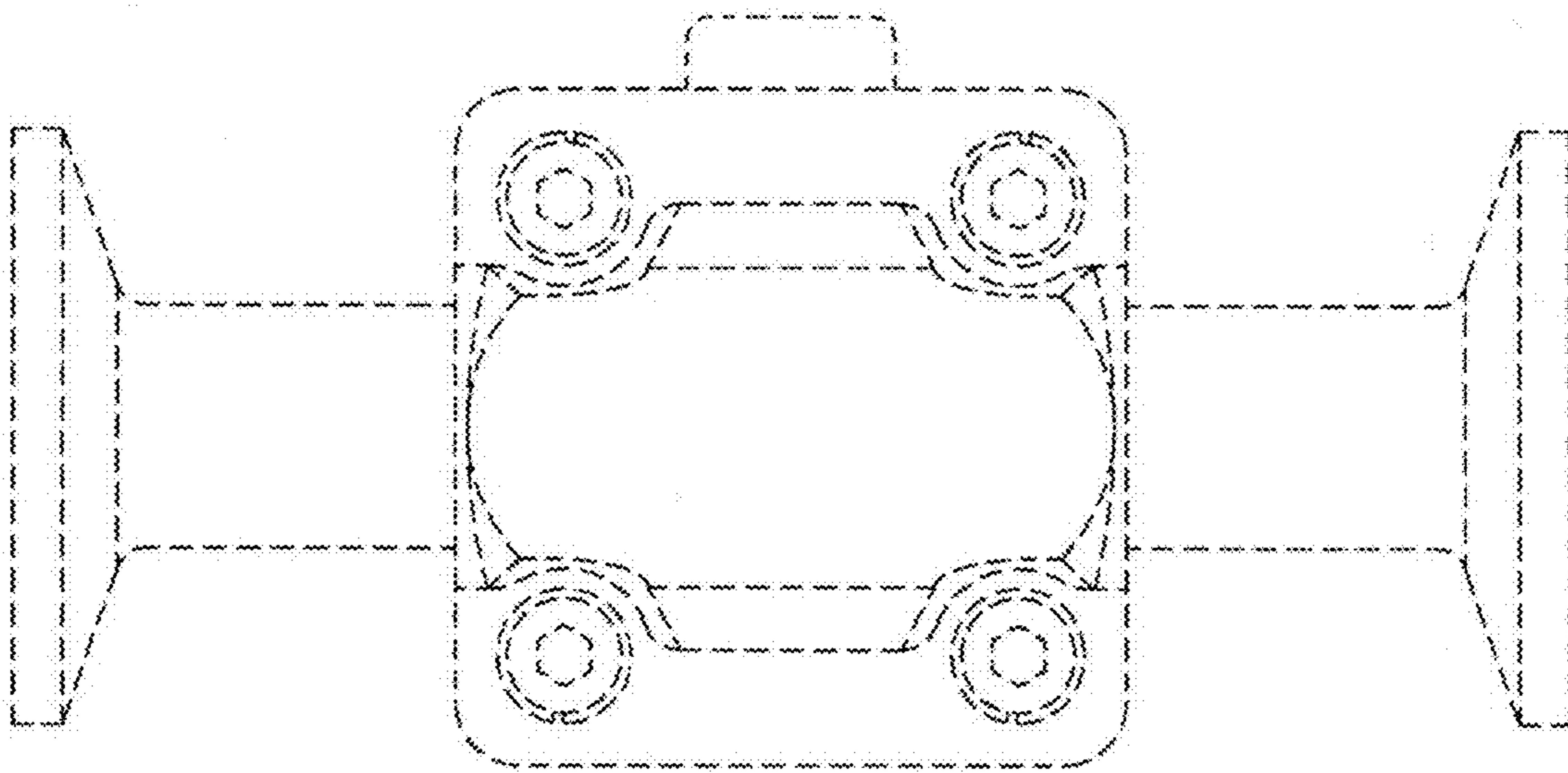
2005/0121382 A1 * 6/2005 Walton B01D 29/15
210/423

* cited by examiner

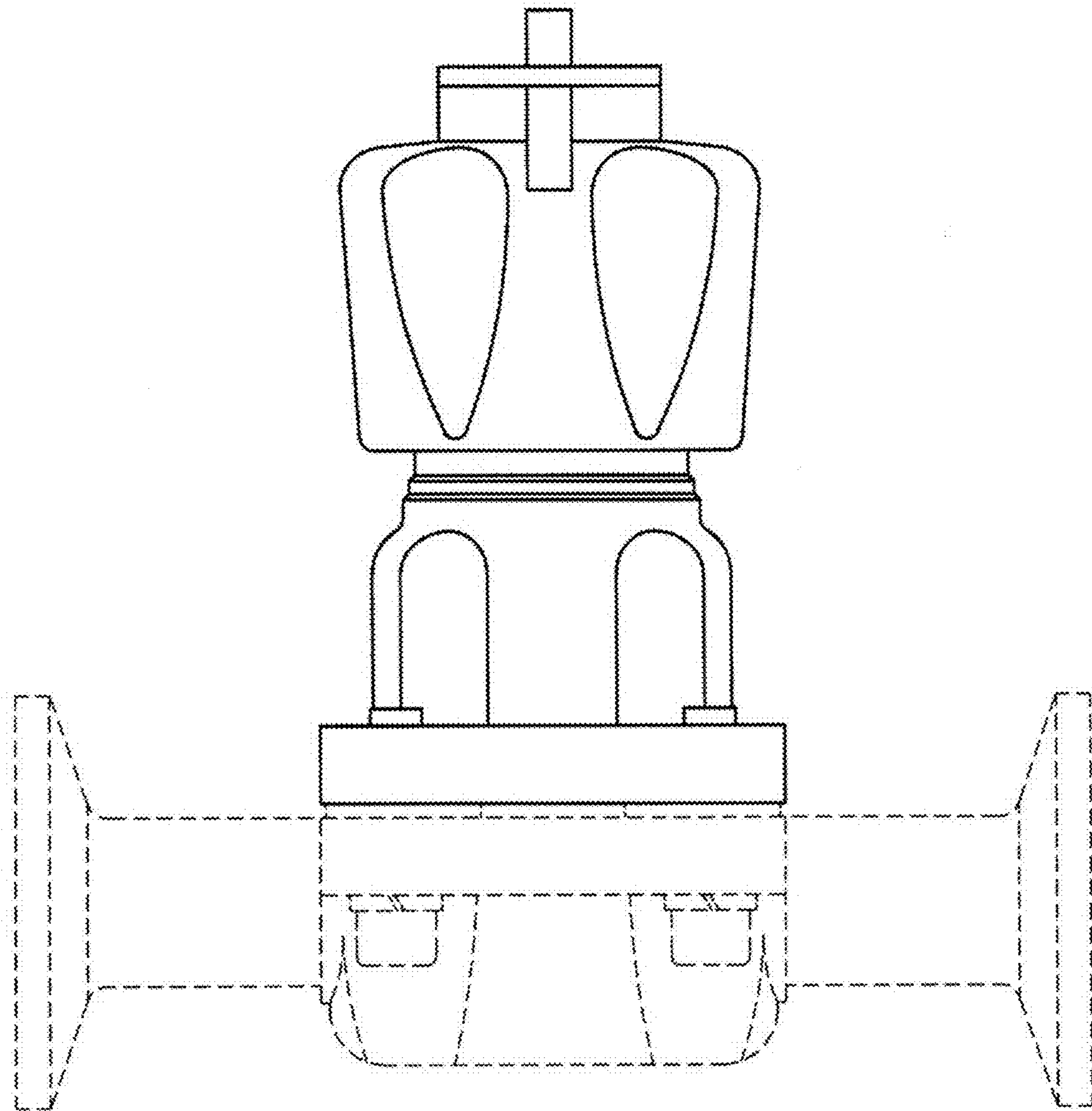
1.1



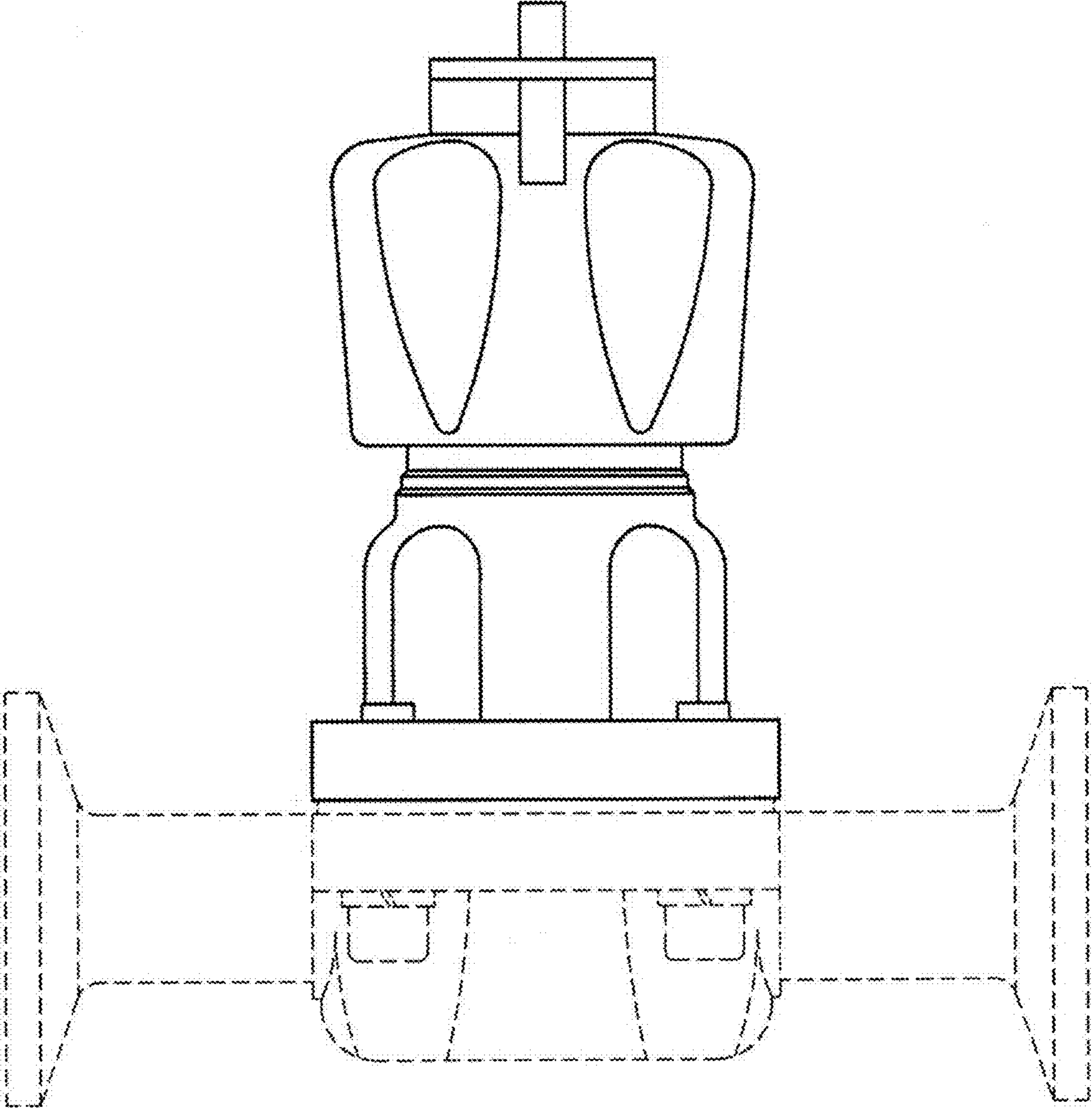
1.2



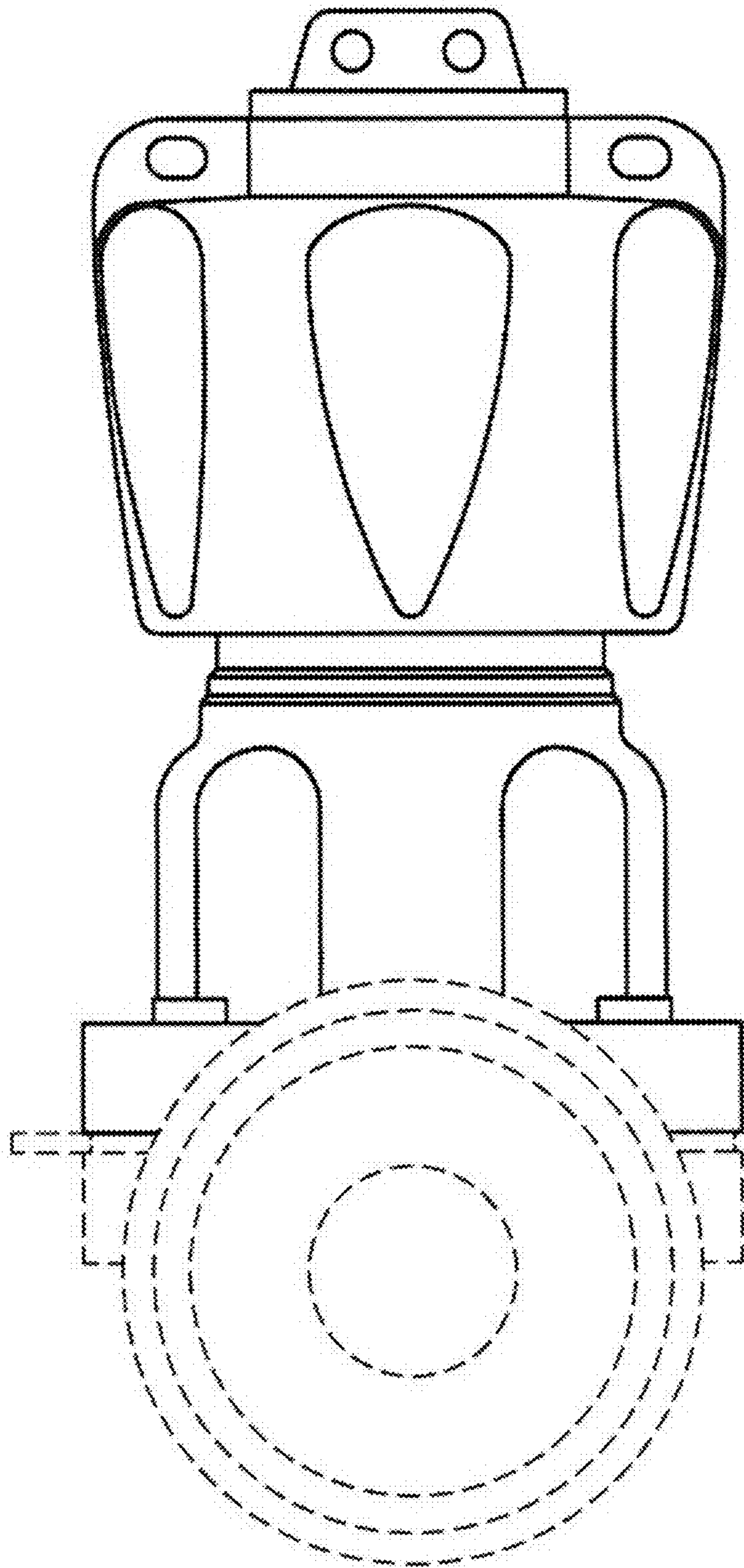
1.3



1.4



1.5



1.6

