



US00D849195S

(12) **United States Design Patent** (10) **Patent No.:** **US D849,195 S**  
**Matsushita** (45) **Date of Patent:** **\*\* May 21, 2019**

(54) **AUTOMATIC DRAIN VALVE**

FOREIGN PATENT DOCUMENTS

(71) Applicant: **SMC CORPORATION**, Tokyo (JP)

JP D1442696 S 6/2012  
JP D1442697 S 6/2012

(72) Inventor: **Kazuhiro Matsushita**, Moriya (JP)

*Primary Examiner* — Cynthia Ramirez

(73) Assignee: **SMC CORPORATION**, Tokyo (JP)

*Assistant Examiner* — Gino Colan

(\*\*) Term: **15 Years**

(74) *Attorney, Agent, or Firm* — Birch, Stewart, Kolasch & Birch, LLP

(21) Appl. No.: **29/589,748**

(22) Filed: **Jan. 4, 2017**

(57) **CLAIM**

(30) **Foreign Application Priority Data**

The ornamental design for an automatic drain valve, as shown.

Jul. 15, 2016 (CN) ..... 2016 3 0326059

(51) **LOC (11) Cl.** ..... **23-01**

(52) **U.S. Cl.**  
USPC ..... **D23/233**

(58) **Field of Classification Search**  
USPC ..... D23/233, 235; 137/204, 203, 195, 519,  
137/607, 187  
CPC ..... F16T 1/00; B01D 45/08  
See application file for complete search history.

**DESCRIPTION**

(56) **References Cited**

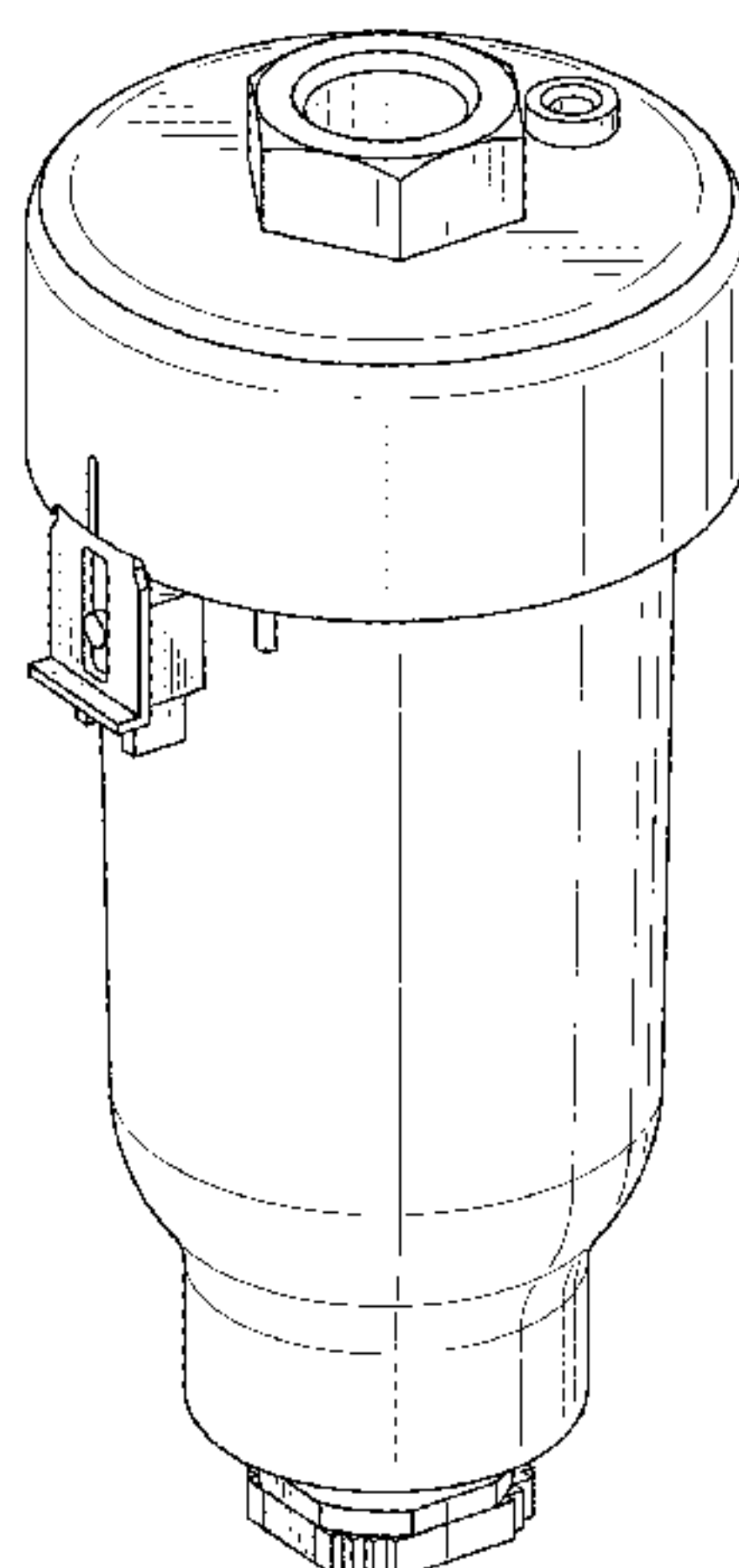
U.S. PATENT DOCUMENTS

- 1,343,382 A \* 6/1920 Armstrong ..... F01B 25/00  
137/607  
1,734,028 A \* 11/1929 Brice ..... F04B 39/14  
137/204  
2,619,106 A \* 11/1952 Wilkerson ..... F16T 1/14  
137/204  
2,744,534 A \* 5/1956 Wilson, Jr. .... B01D 45/08  
137/195  
3,101,091 A \* 8/1963 Schultz ..... F16T 1/14  
137/204  
3,675,673 A \* 7/1972 Nilges ..... F16T 1/00  
137/187  
4,079,744 A \* 3/1978 Franson ..... B60T 17/004  
137/203  
4,082,107 A \* 4/1978 Hoffman ..... F16T 1/20  
137/195

FIG. 1 is a front, top and right side perspective view of an automatic drain valve showing a first embodiment of my new design;  
 FIG. 2 is a rear, bottom and left side perspective view thereof;  
 FIG. 3 is a front view thereof;  
 FIG. 4 is a rear view thereof;  
 FIG. 5 is a top plan view thereof;  
 FIG. 6 is a bottom plan view thereof;  
 FIG. 7 is a left side view thereof;  
 FIG. 8 is a right side view thereof;  
 FIG. 9 is a front, top and right side perspective view of an automatic drain valve showing a second embodiment of my new design;  
 FIG. 10 is a rear, bottom and left side perspective view of FIG. 9;  
 FIG. 11 is a front view of FIG. 9;  
 FIG. 12 is a rear view of FIG. 9;  
 FIG. 13 is a top plan view of FIG. 9;  
 FIG. 14 is a bottom plan view of FIG. 9;  
 FIG. 15 is a left side view of FIG. 9; and,  
 FIG. 16 is a right side view of FIG. 9.

(Continued)

**1 Claim, 16 Drawing Sheets**



(56)

**References Cited**

U.S. PATENT DOCUMENTS

D659,814 S     5/2012 Yamase et al.  
D659,815 S     5/2012 Yamase et al.  
D696,749 S \* 12/2013 Oike ..... D23/233

\* cited by examiner

FIG. 1

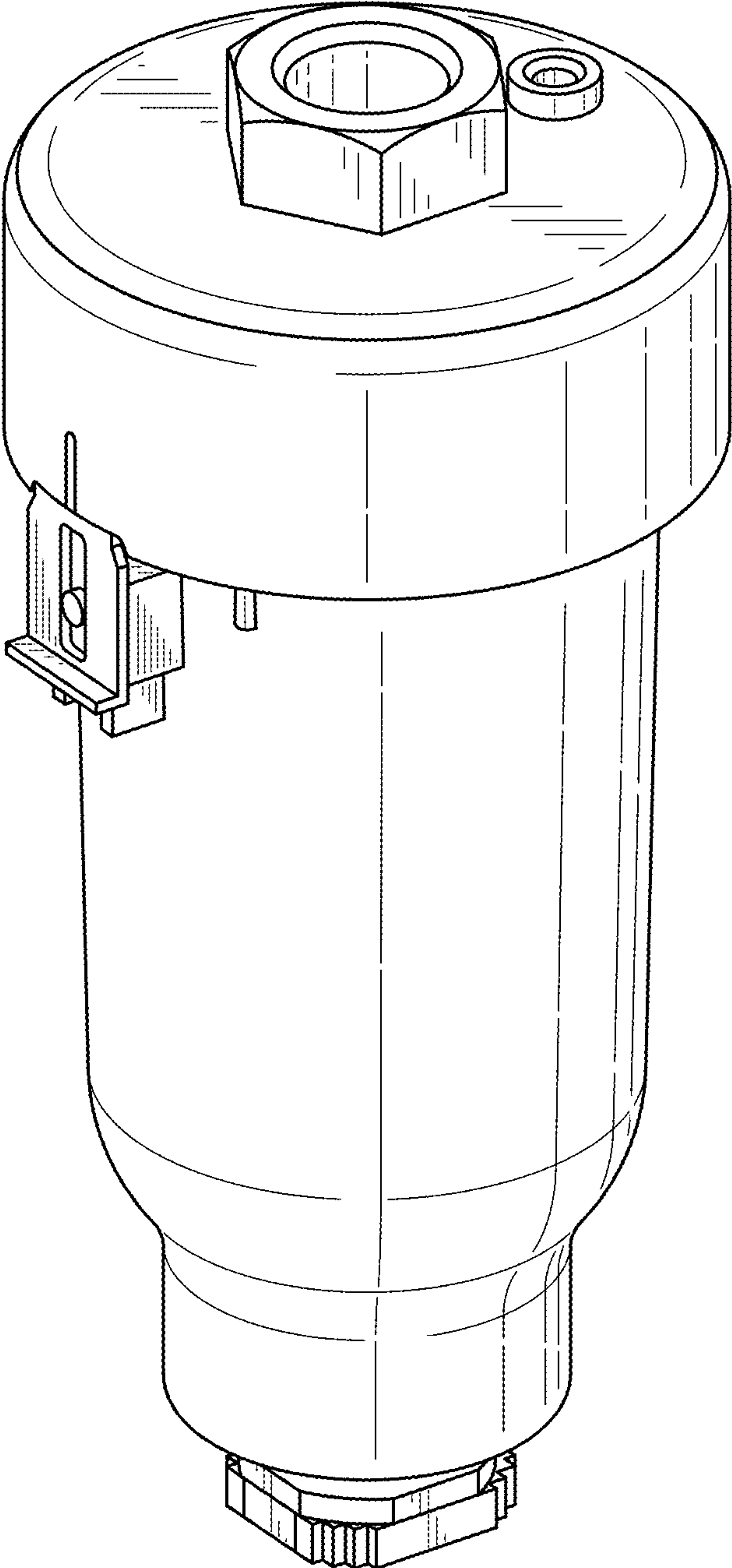


FIG. 2

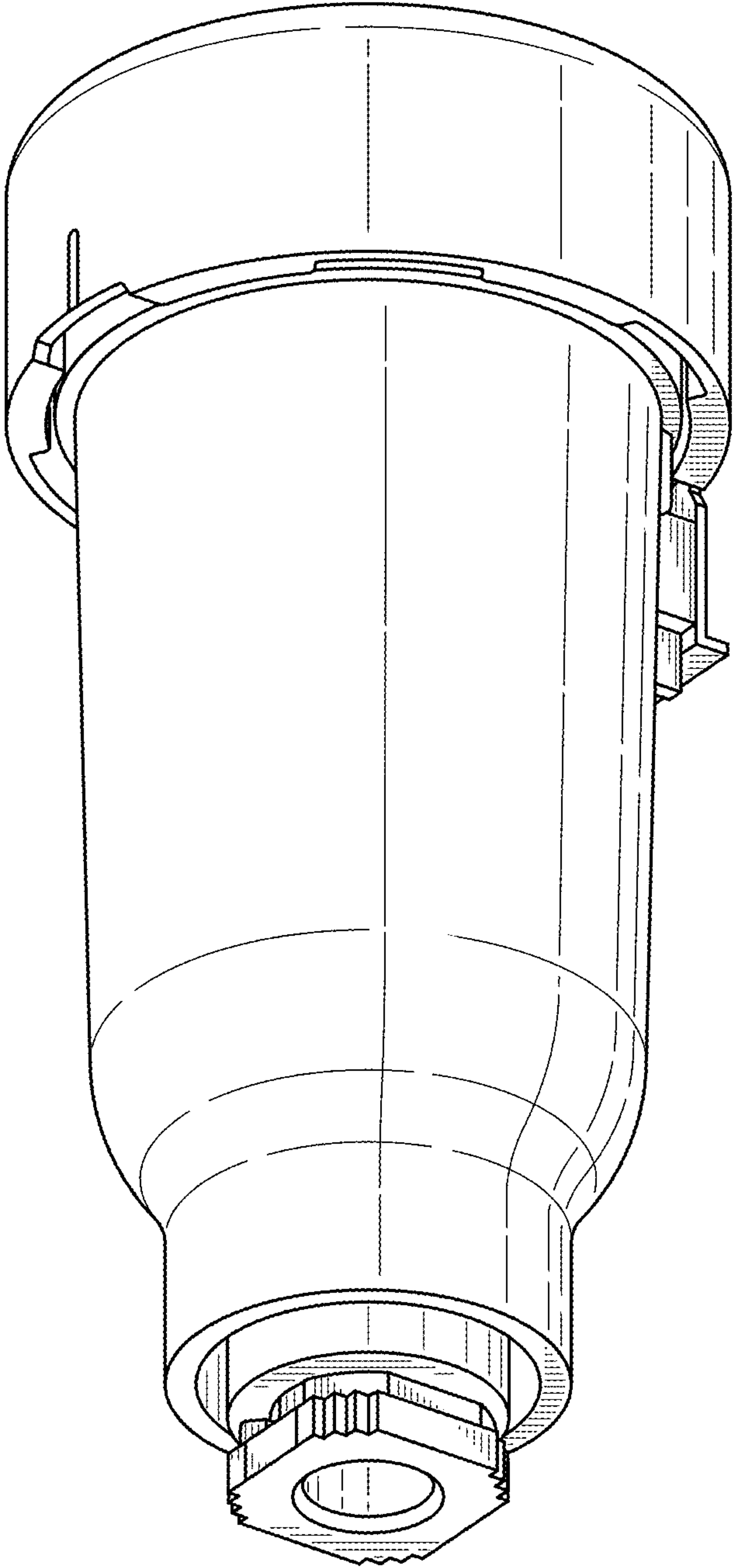


FIG. 3

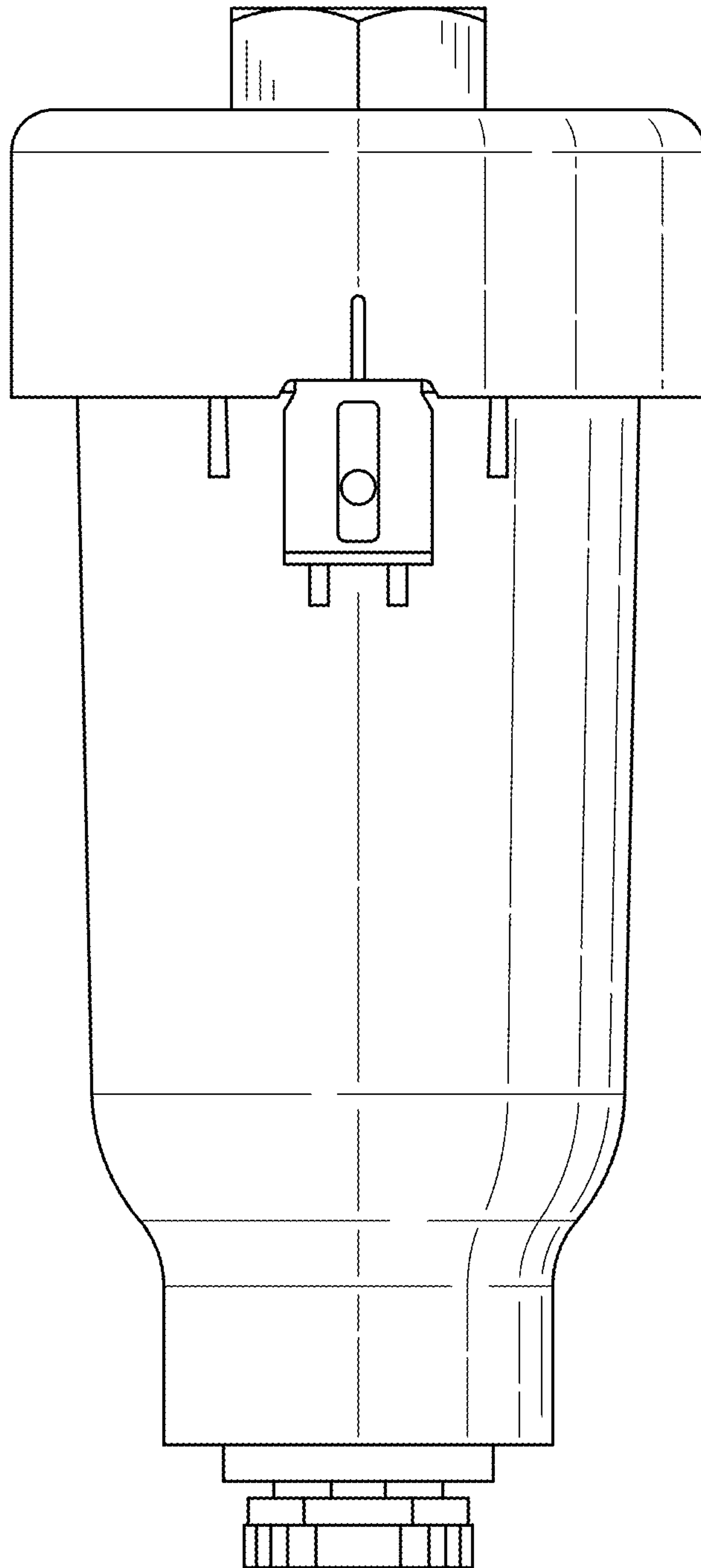


FIG. 4

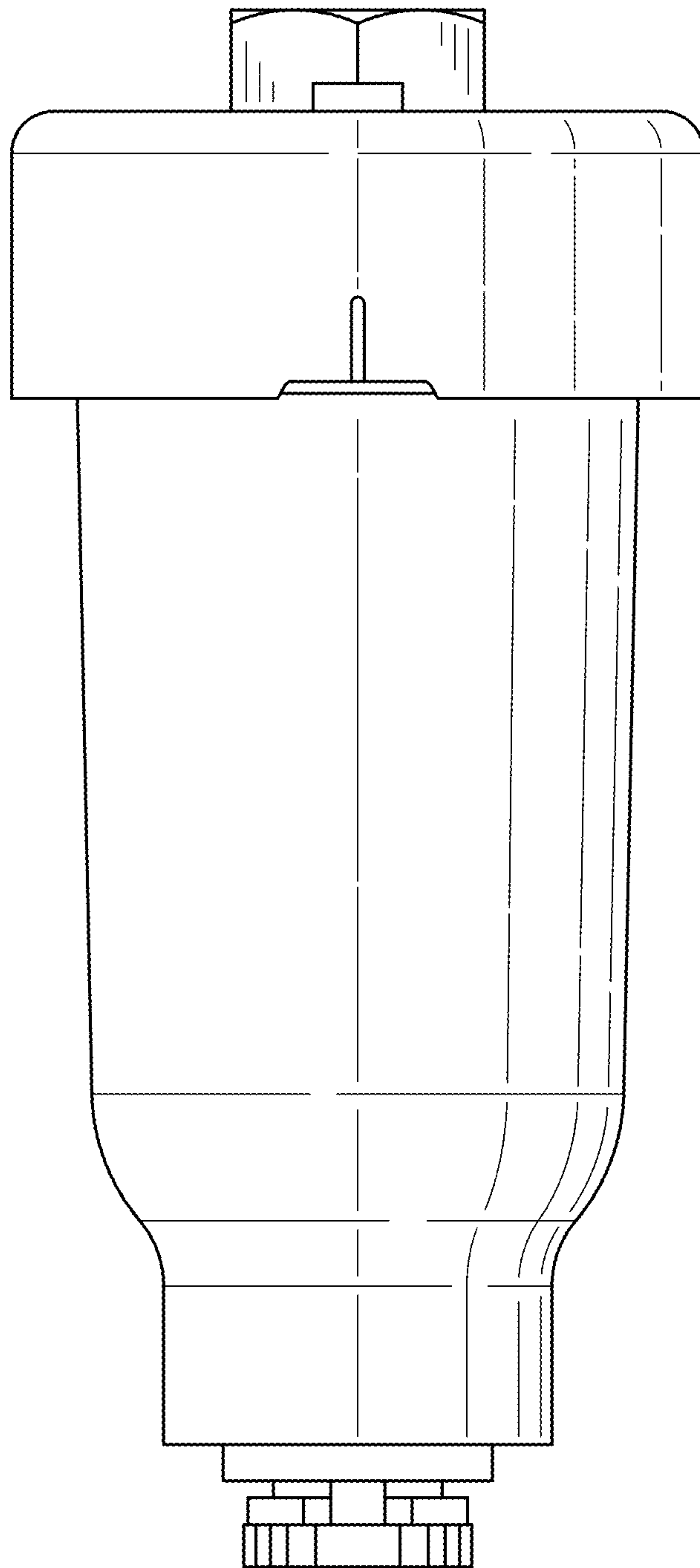


FIG. 5

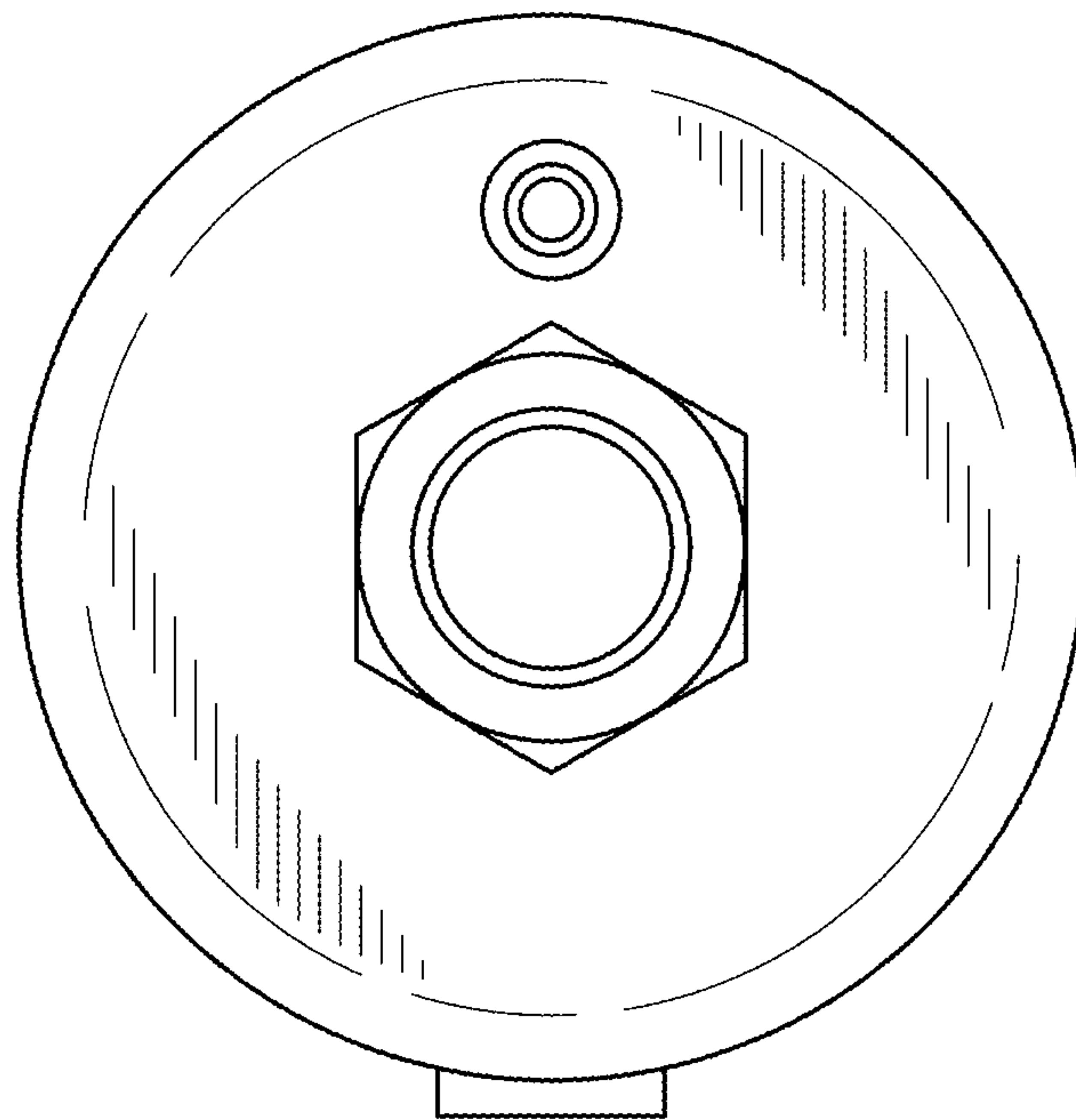


FIG. 6

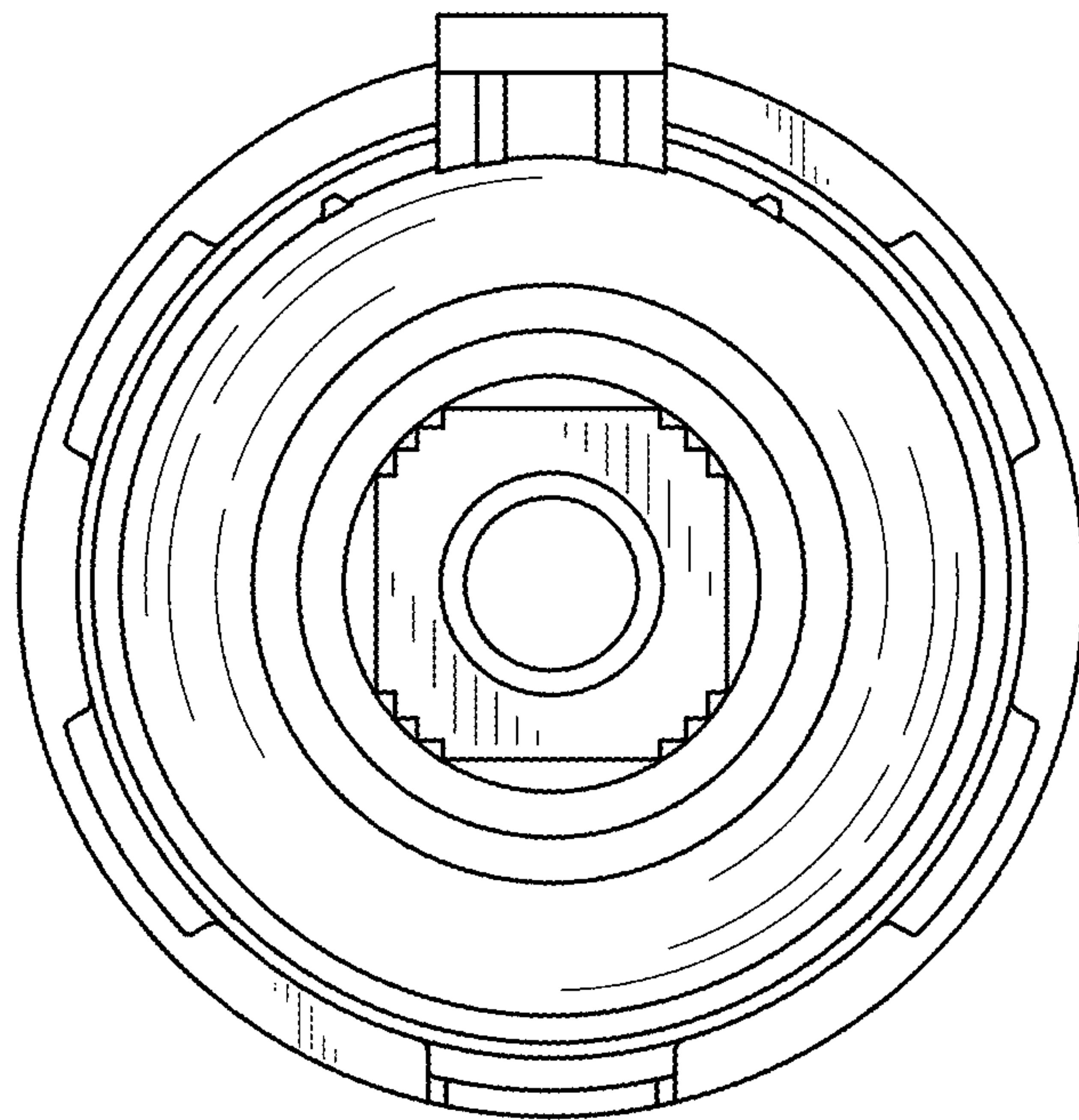




FIG. 7

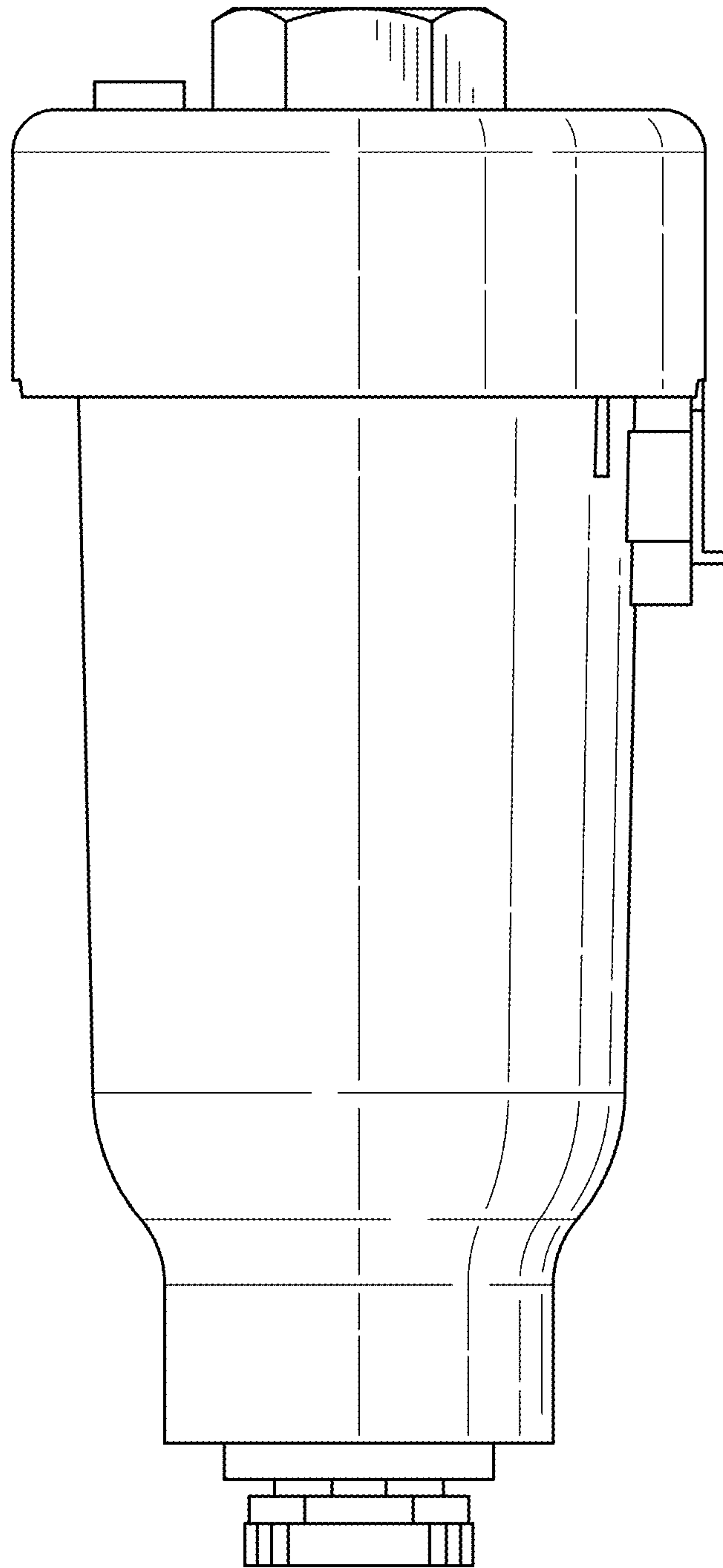


FIG. 8

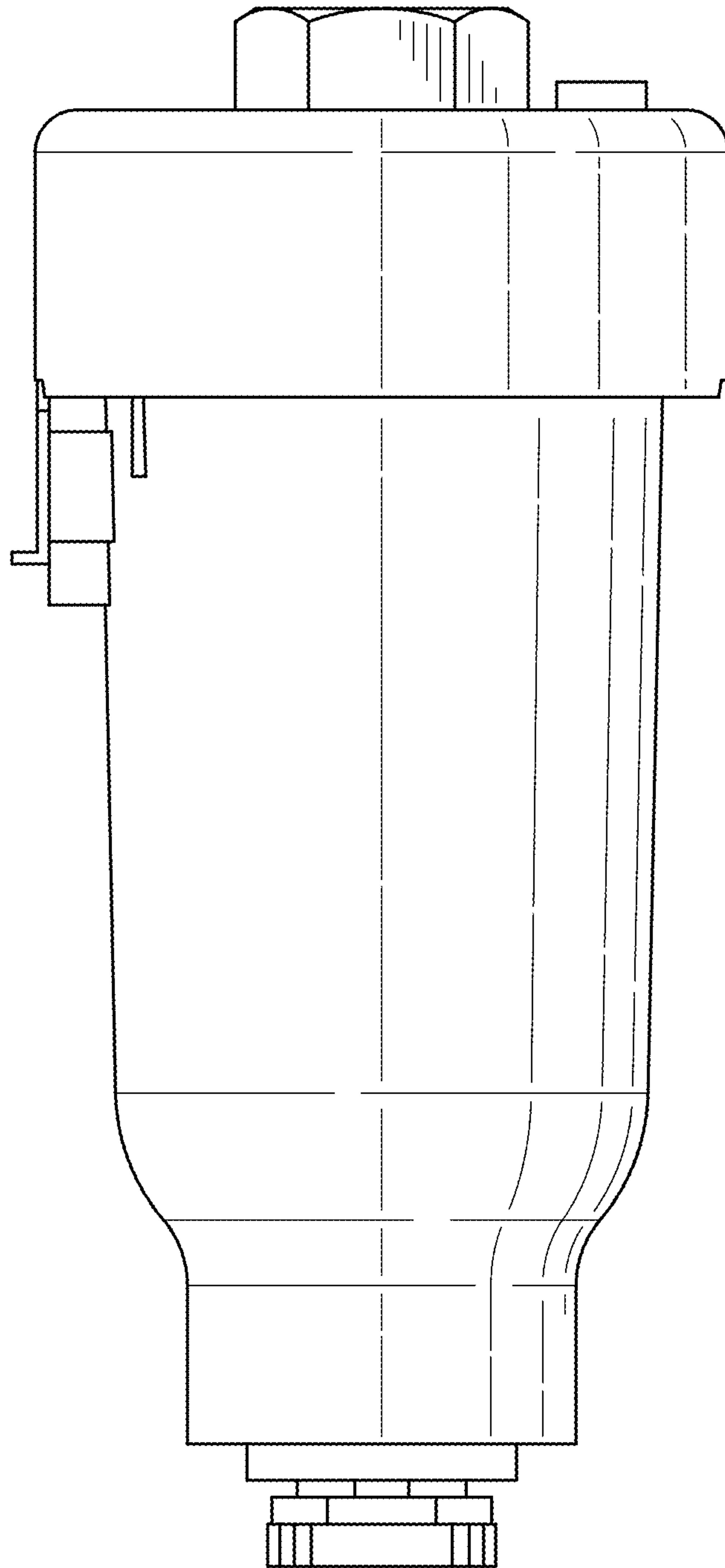


FIG. 9

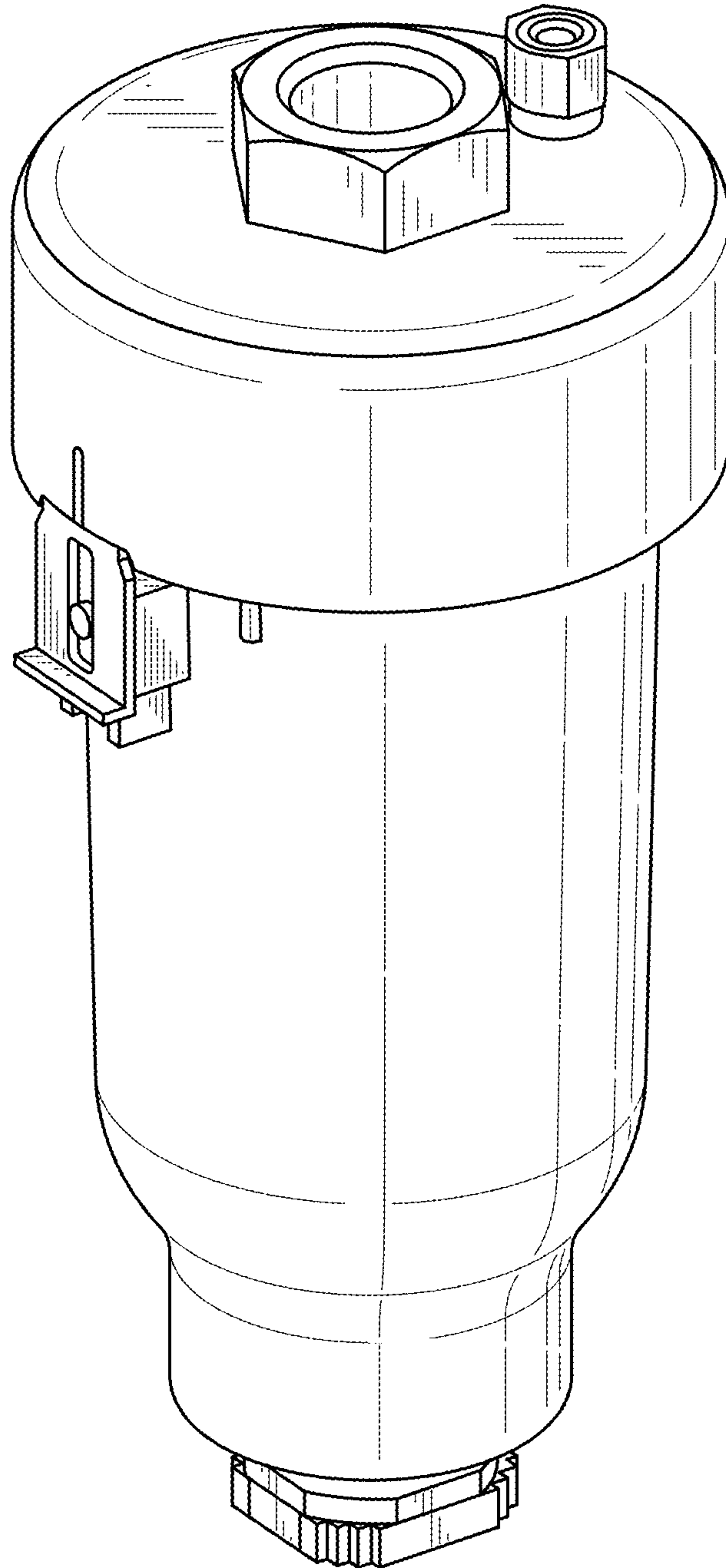


FIG. 10

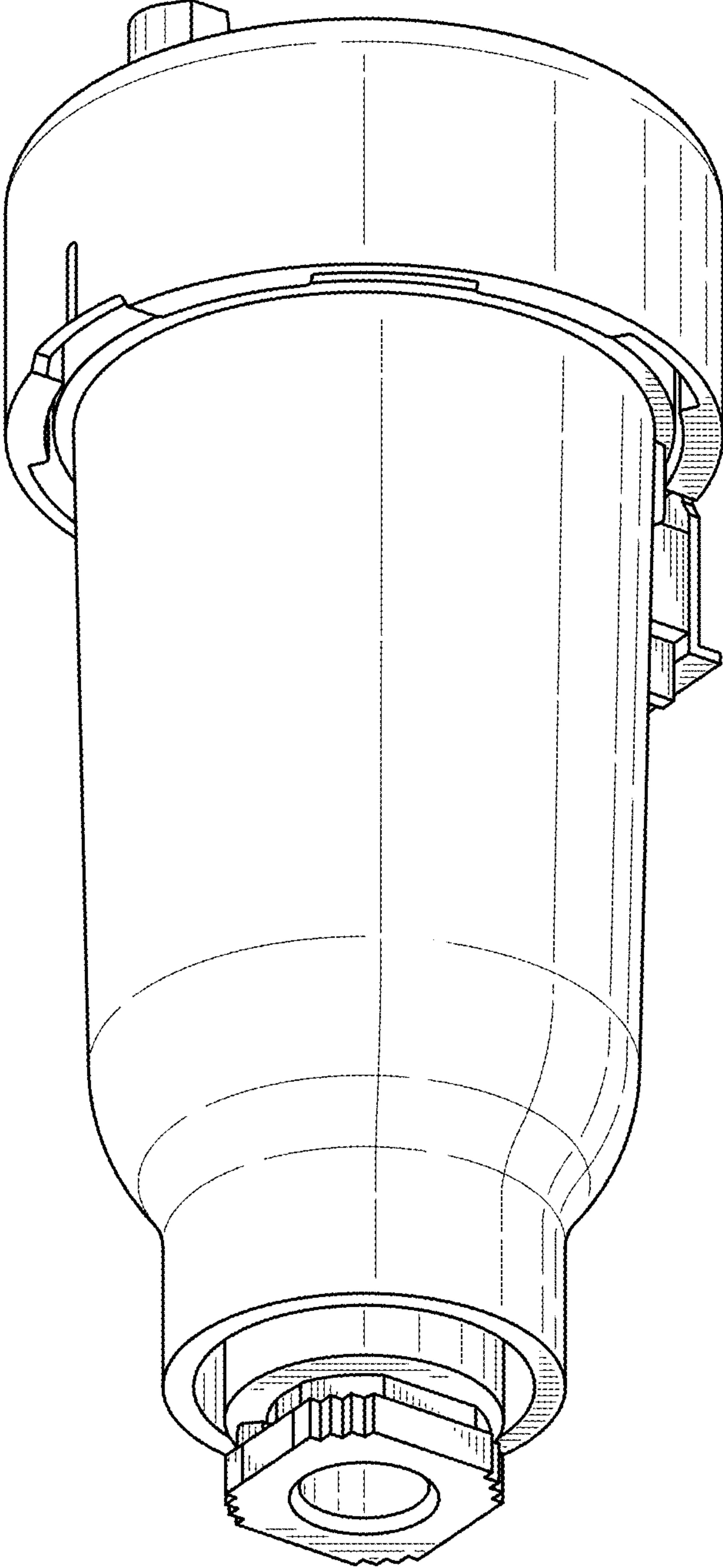


FIG. 11

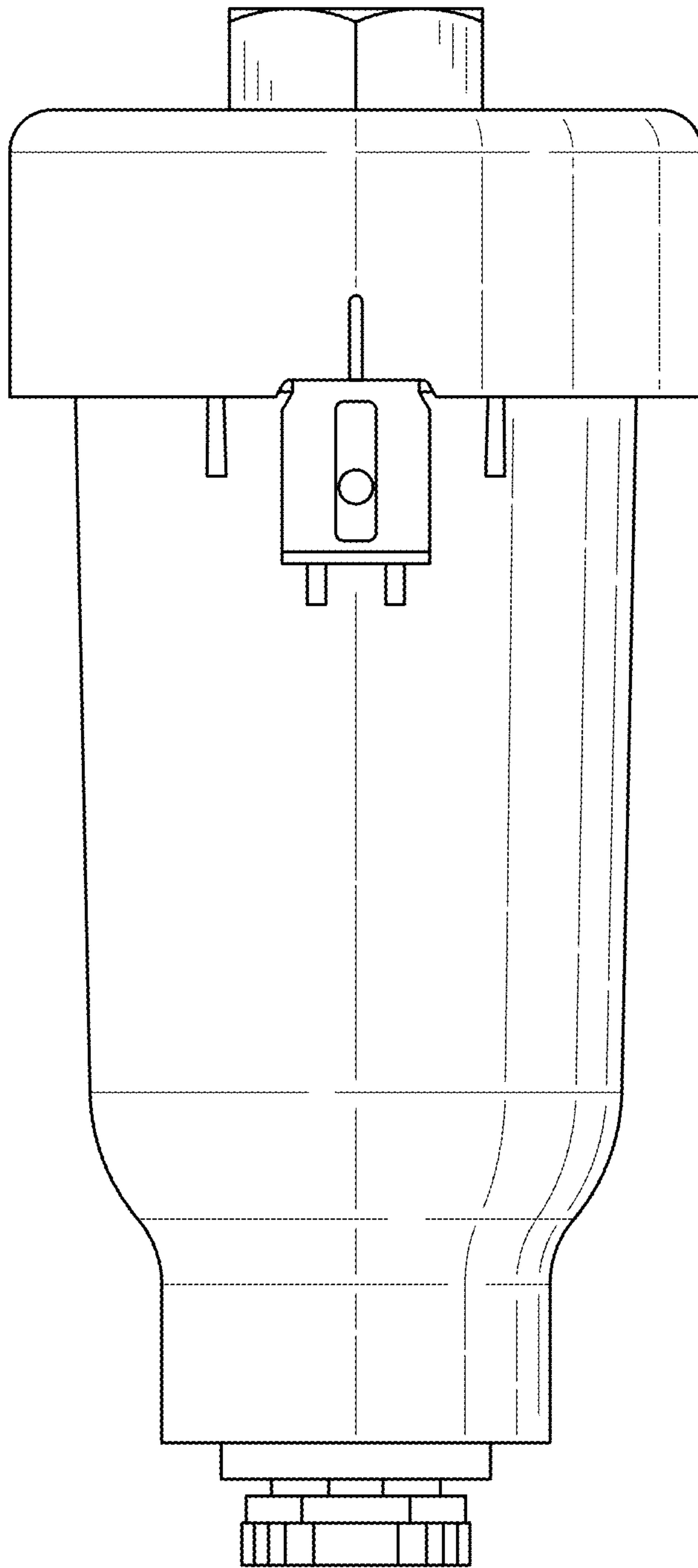


FIG. 12

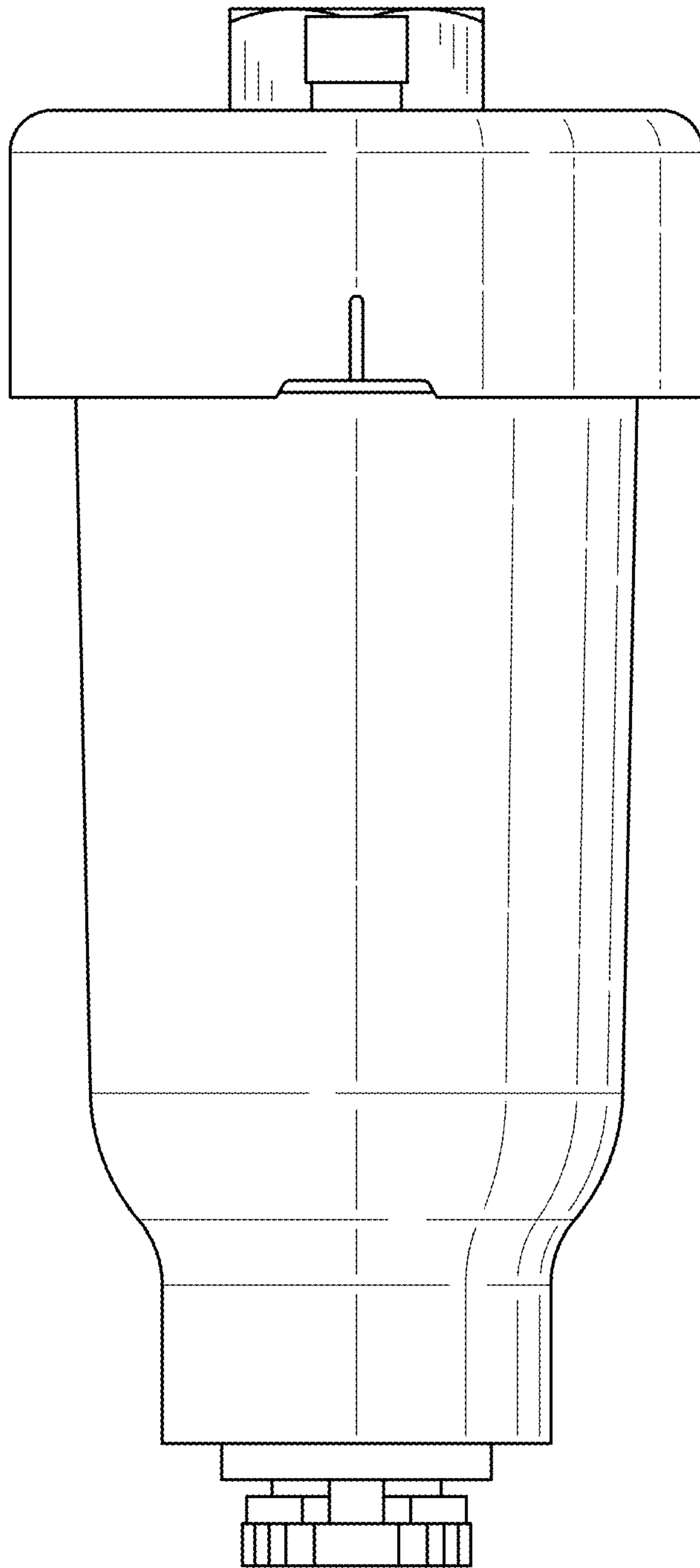


FIG. 13

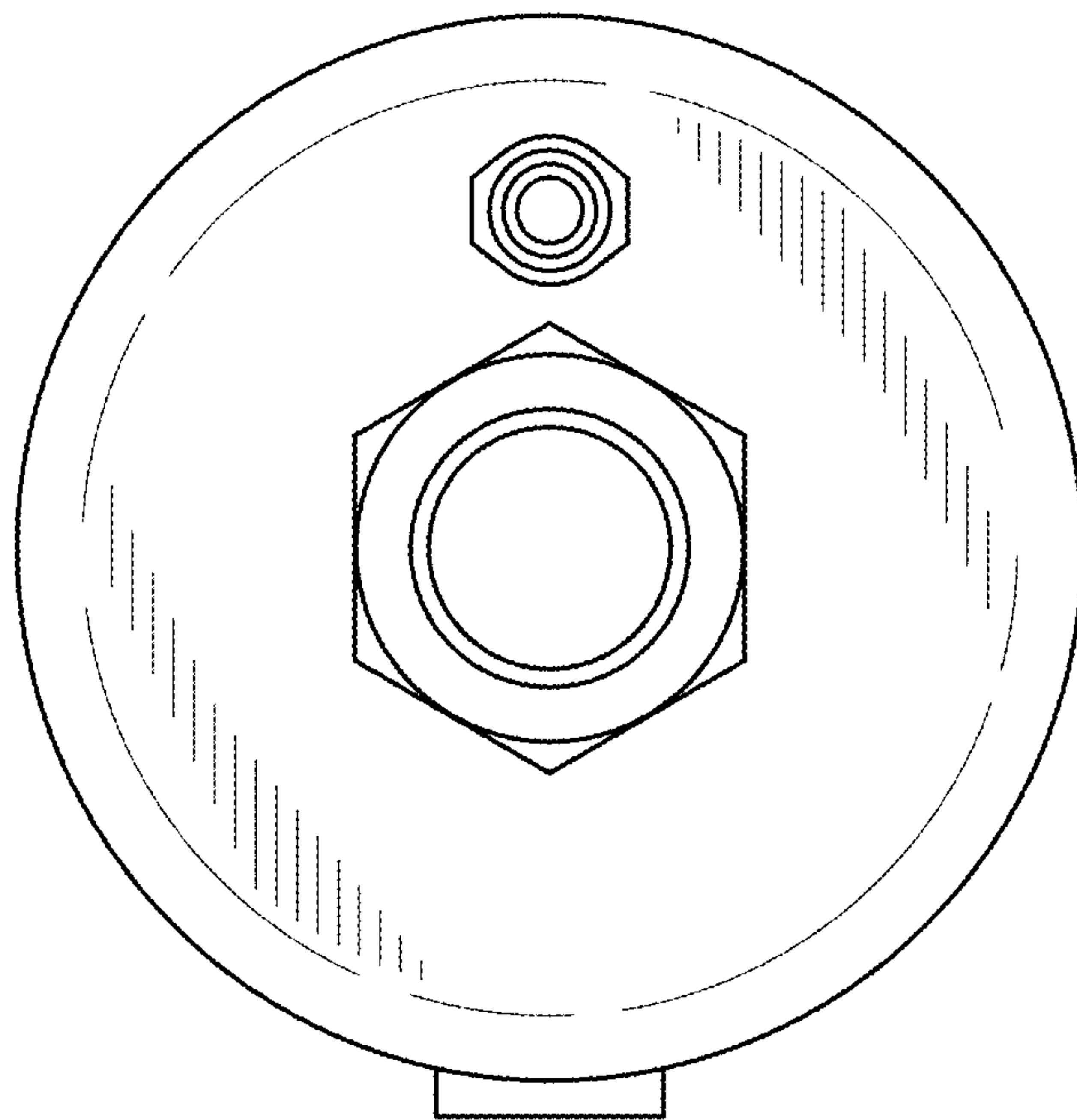


FIG. 14

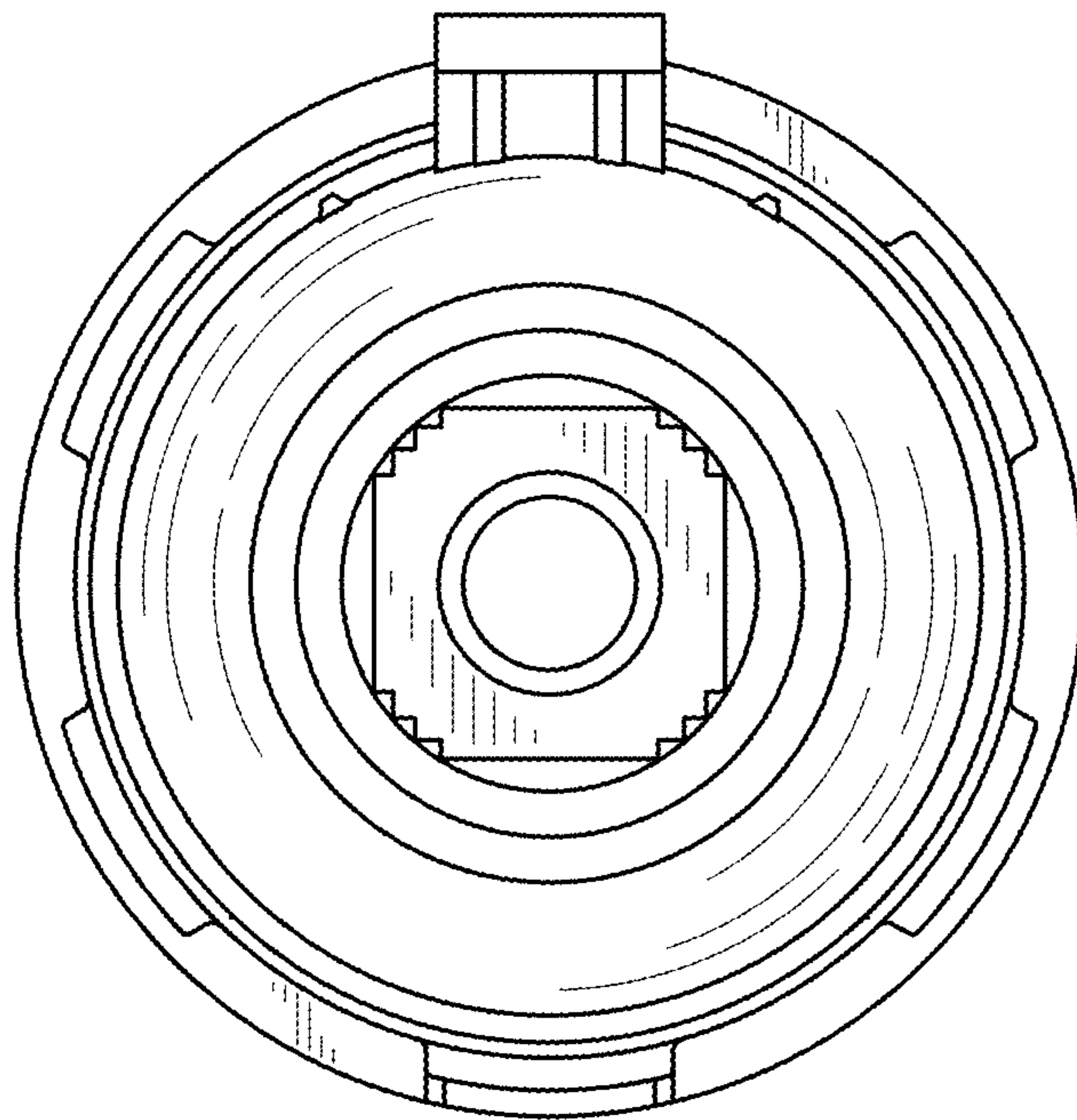




FIG. 15

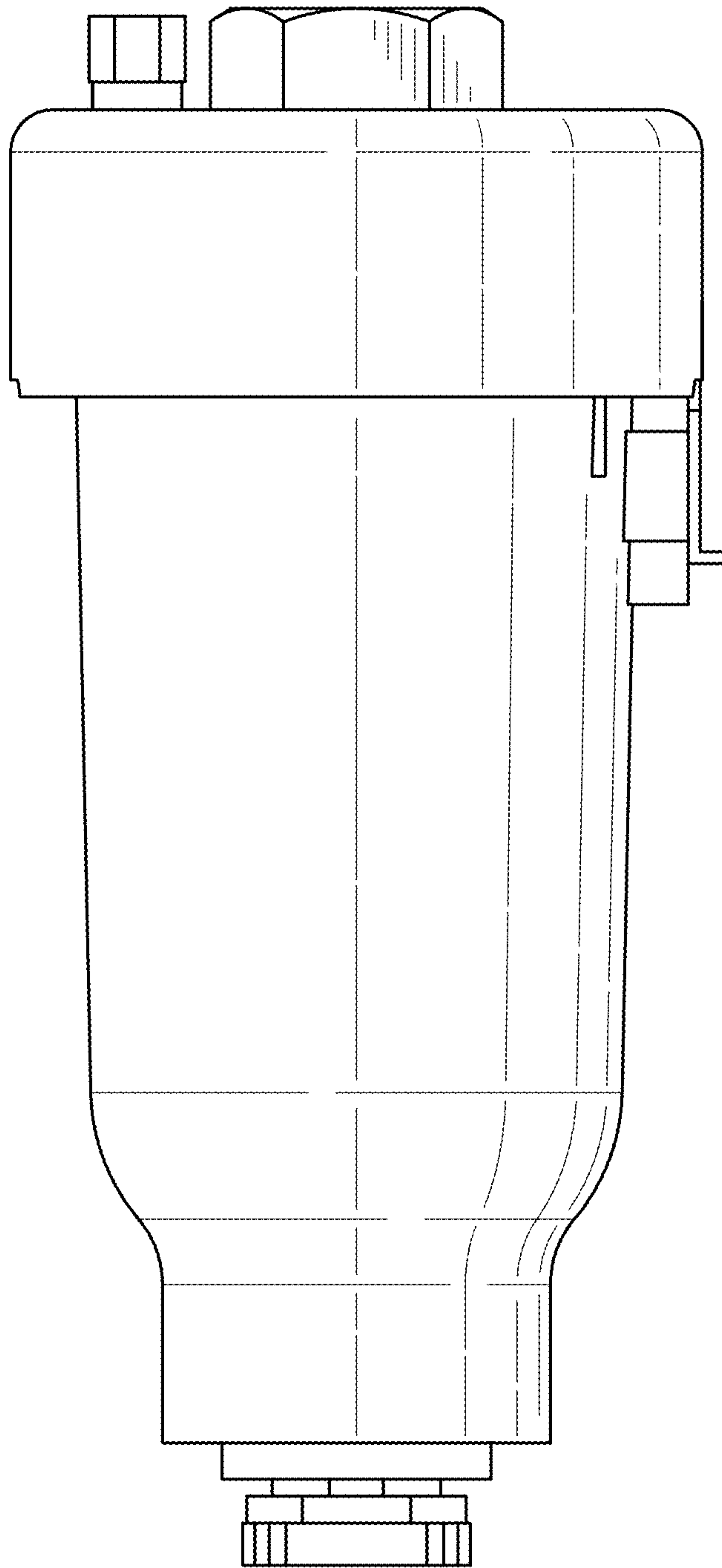


FIG. 16

