

US00D849192S

(12) **United States Design Patent** (10) **Patent No.:** **US D849,192 S**  
**Cheng** (45) **Date of Patent:** **\*\* May 21, 2019**

(54) **SPRINKLER**  
(71) Applicant: **Yuan Mei Corp.**, Chang Hua Hsien (TW)  
(72) Inventor: **Chi-Han Cheng**, Chang Hua Hsien (TW)  
(73) Assignee: **Yuan Mei Corp.**, Chang Hua Hsien (TW)

7,284,714 B1 10/2007 Wang et al.  
D554,736 S 11/2007 Cheng  
D554,737 S 11/2007 Lo  
D554,739 S 11/2007 Lo  
D554,740 S 11/2007 Lo  
D559,352 S 1/2008 Lo  
D597,628 S 8/2009 Goetz  
D599,882 S 9/2009 Cheng  
D613,371 S 4/2010 Nies et al.  
D615,153 S \* 5/2010 Cheng ..... D23/214  
(Continued)

(\*\*) Term: **15 Years**

**FOREIGN PATENT DOCUMENTS**

(21) Appl. No.: **29/630,118**

DE 102006043879 A1 9/2007  
DE 102006043883 A1 9/2007

(22) Filed: **Dec. 19, 2017**

*Primary Examiner* — Robin V Webster

(51) **LOC (11) Cl.** ..... **23-01**

(74) *Attorney, Agent, or Firm* — Stinson Leonard Street LLP

(52) **U.S. Cl.**

USPC ..... **D23/221**

(58) **Field of Classification Search**

(57) **CLAIM**

USPC ..... D23/213, 214, 215, 216, 221; 239/240, 239/242, 276

The ornamental design for a sprinkler, as shown and described.

CPC ..... A01G 15/00; A01G 25/16; B05B 3/0463; B05B 1/16; B05B 3/0431; B05B 3/0445; B05B 15/70; B05B 1/636

**DESCRIPTION**

See application file for complete search history.

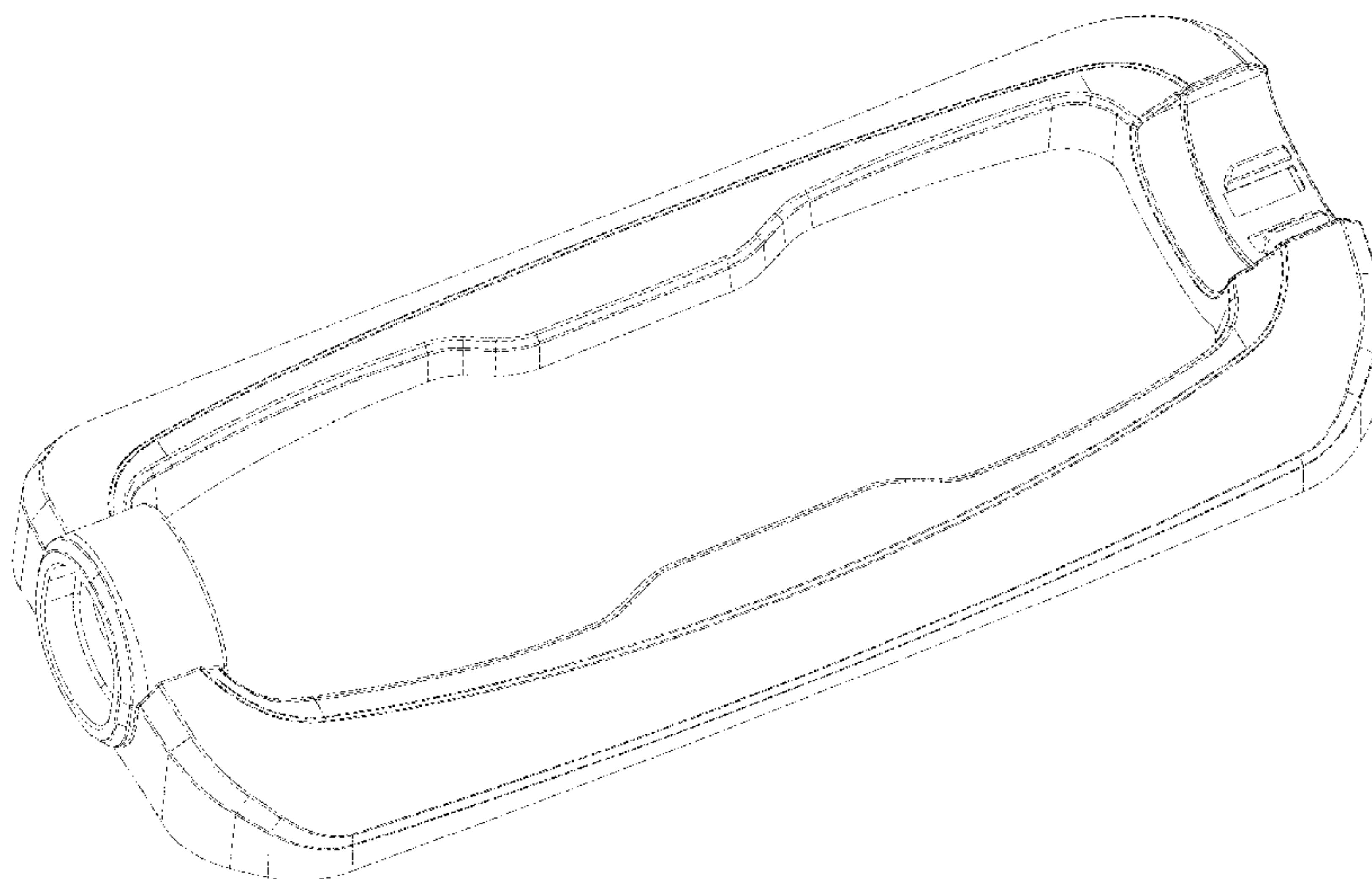
FIG. 1 is a left front perspective view of a sprinkler showing an embodiment of my new design;  
FIG. 2 is a front view thereof;  
FIG. 3 is a rear view thereof;  
FIG. 4 is a left side view thereof;  
FIG. 5 is a right side view thereof;  
FIG. 6 is a top view thereof;  
FIG. 7 is a bottom view thereof;  
FIG. 8 is a left front perspective view of the sprinkler shown with another environment thereof; and,  
FIG. 9 is a left front perspective view of the sprinkler shown with another environment thereof.  
Portions of the drawings are shown in broken lines for illustrative purposes and form no part of the claimed design.

(56) **References Cited**

**U.S. PATENT DOCUMENTS**

D178,782 S 9/1956 Jepson  
D366,308 S 1/1996 Goodman et al.  
D371,596 S 7/1996 Simonetti  
5,657,928 A 8/1997 Jian  
D387,127 S 12/1997 Guo  
5,938,122 A 8/1999 Heren et al.  
D469,849 S 2/2001 Nien  
D440,629 S \* 4/2001 Guo ..... D23/216  
D458,983 S 6/2002 Chen  
6,478,241 B1 11/2002 Guo  
D470,218 S 2/2003 Alkalay et al.  
D479,574 S 9/2003 Nien  
D500,122 S 12/2004 Schapper

**1 Claim, 9 Drawing Sheets**



(56)

**References Cited**

U.S. PATENT DOCUMENTS

D615,610	S	5/2010	Cheng	
D615,612	S	5/2010	Cheng	
D616,063	S	5/2010	Cheng	
D618,308	S	6/2010	Nies et al.	
D652,484	S *	1/2012	Nies .....	D23/221
D652,485	S	1/2012	Nies et al.	
D652,486	S	1/2012	Nies et al.	
D702,813	S	4/2014	Vedantam et al.	
D702,814	S	4/2014	Vedantam et al.	
D750,743	S *	3/2016	Holmes .....	D23/214
9,346,065	B2 *	5/2016	Su .....	B05B 1/205
D802,715	S *	11/2017	Chen .....	D23/221
D806,210	S *	12/2017	Rodriguez .....	D23/216
2007/0235568	A1	10/2007	Wang et al.	
2008/0054103	A1	3/2008	Nies	
2013/0037624	A1	2/2013	Helmsderfer et al.	

\* cited by examiner

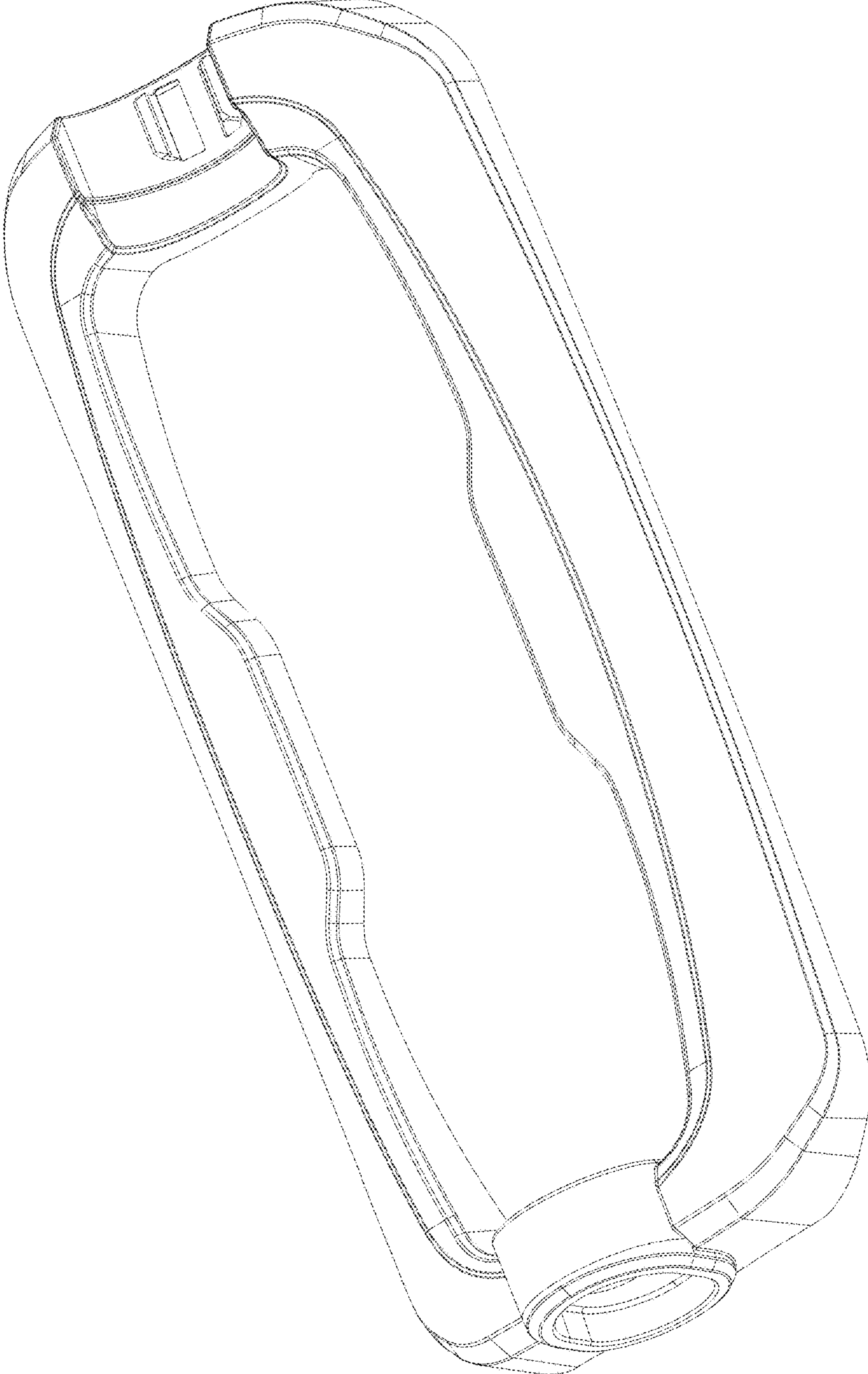


FIG.1

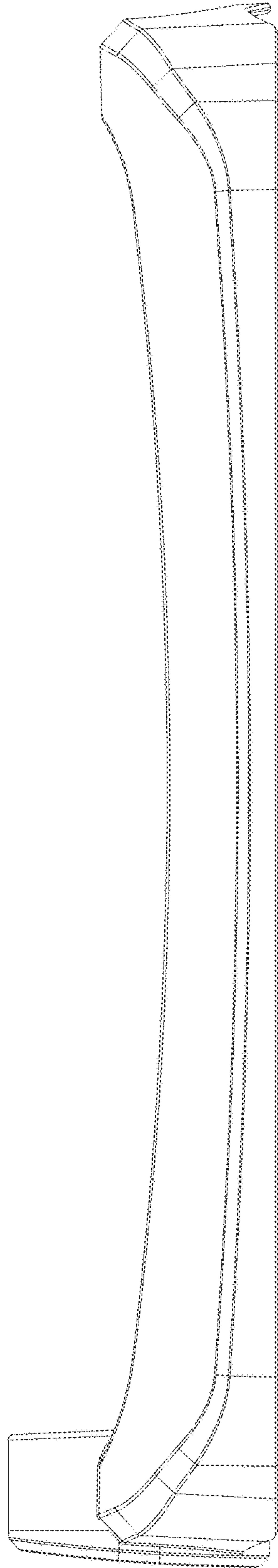


FIG. 2

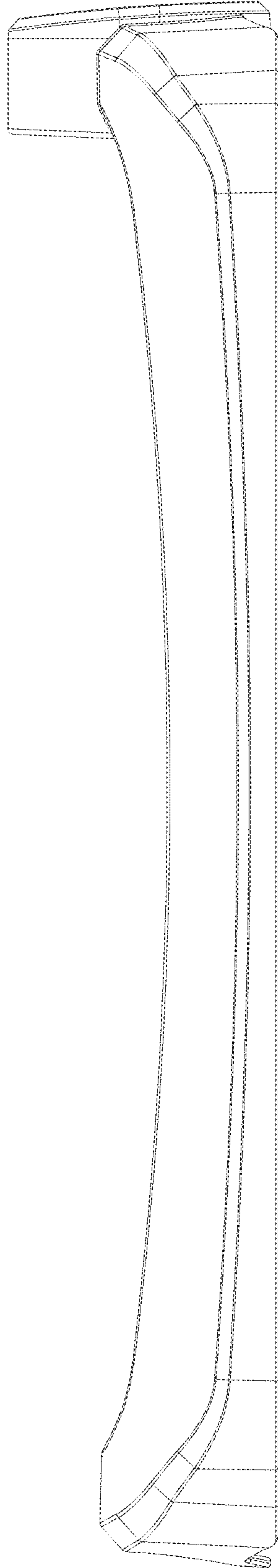


FIG.3



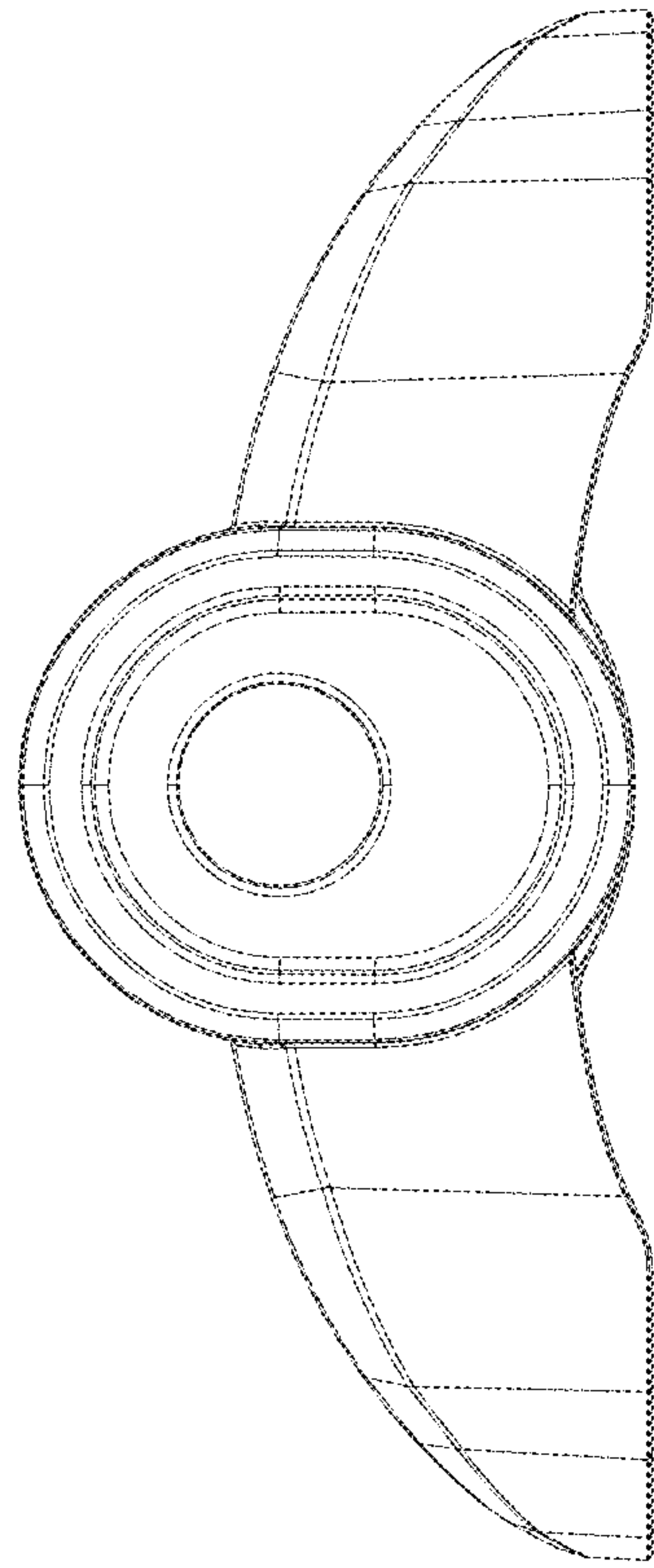


FIG.4

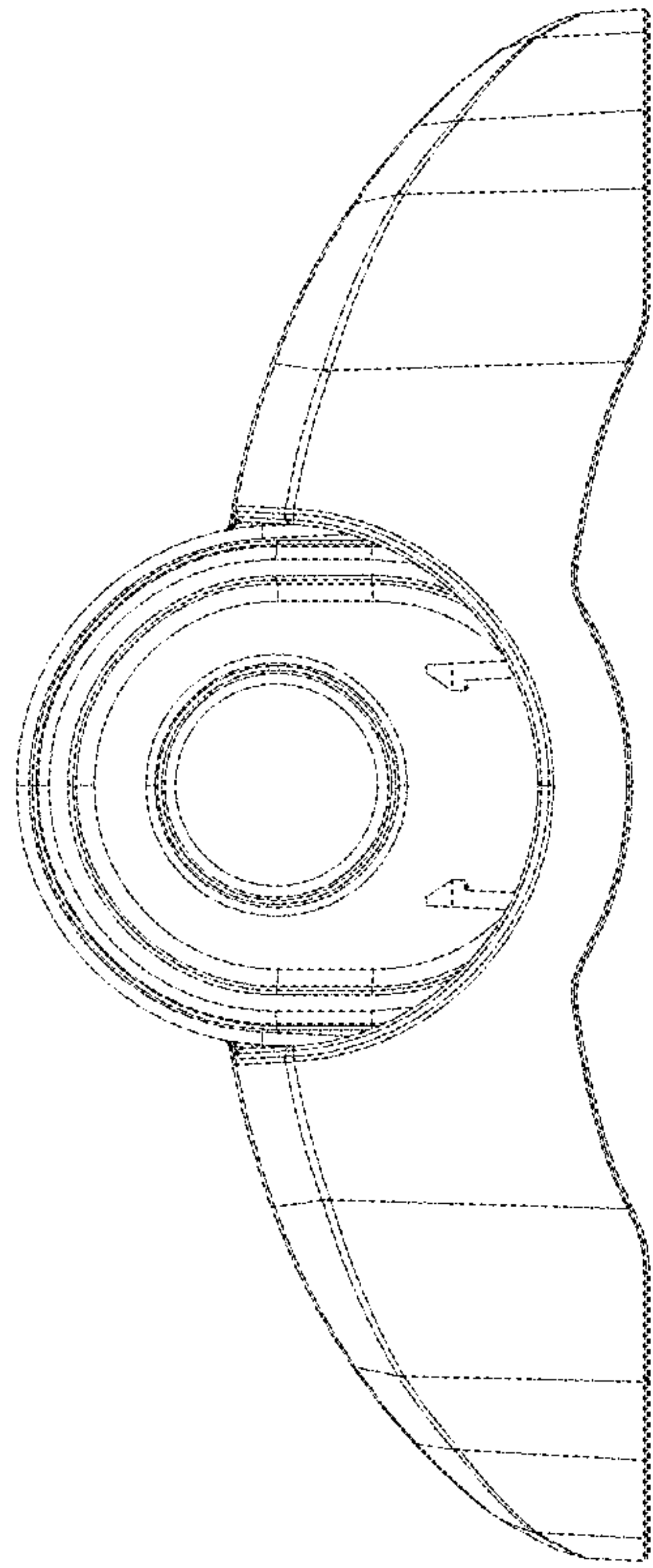


FIG. 5

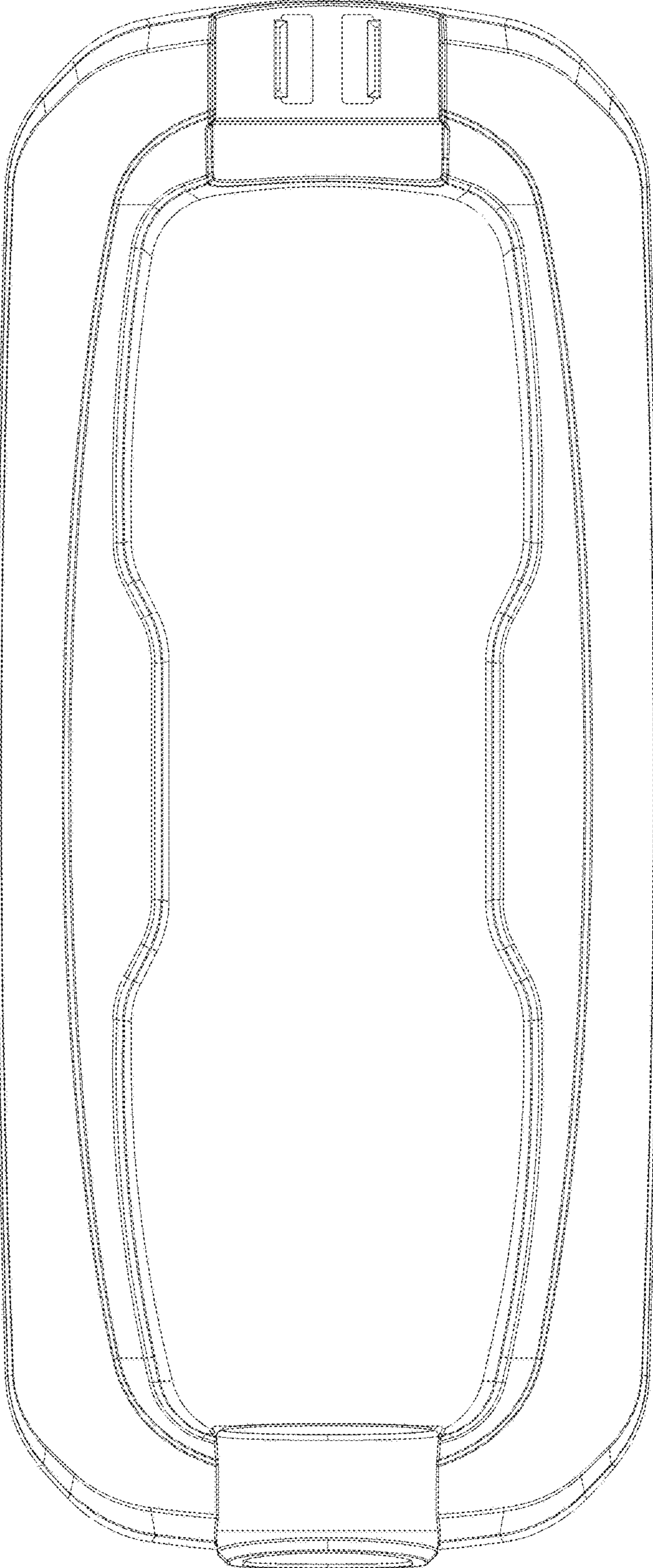


FIG.6



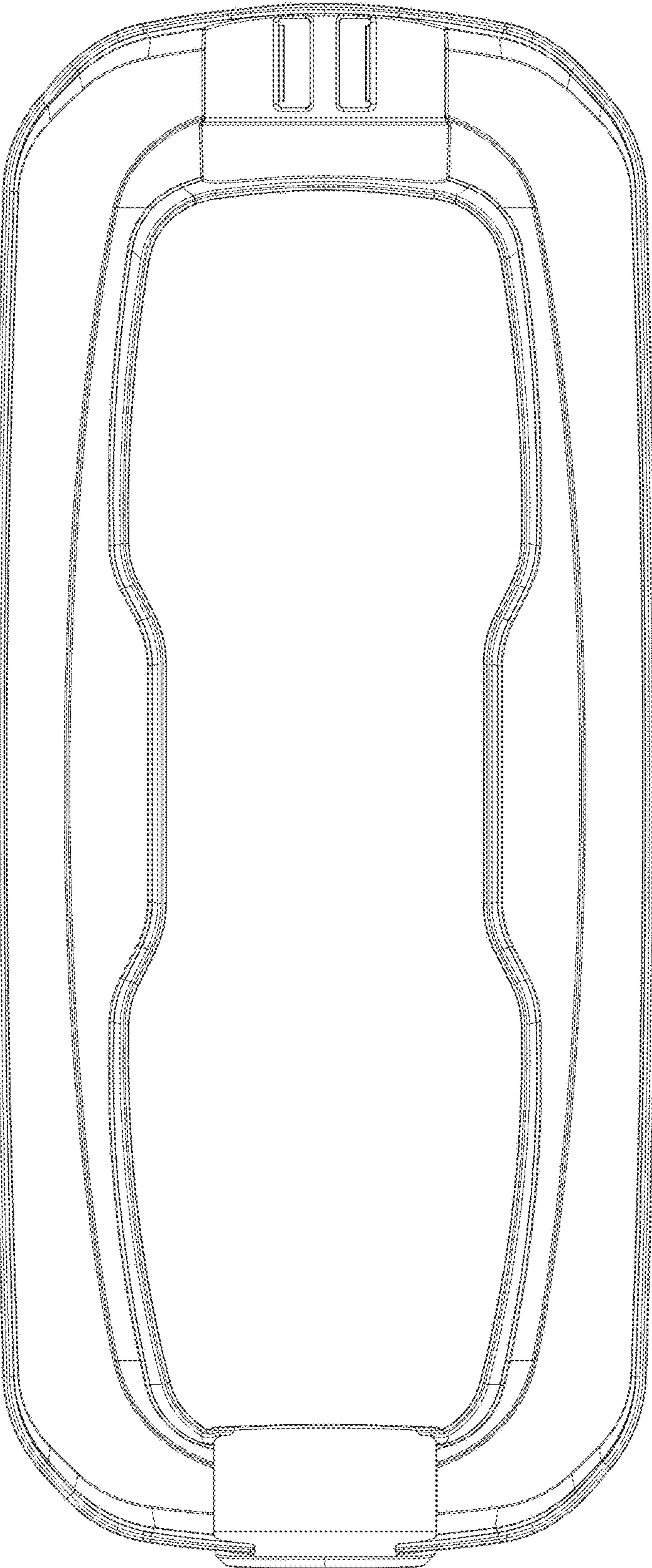


FIG. 7

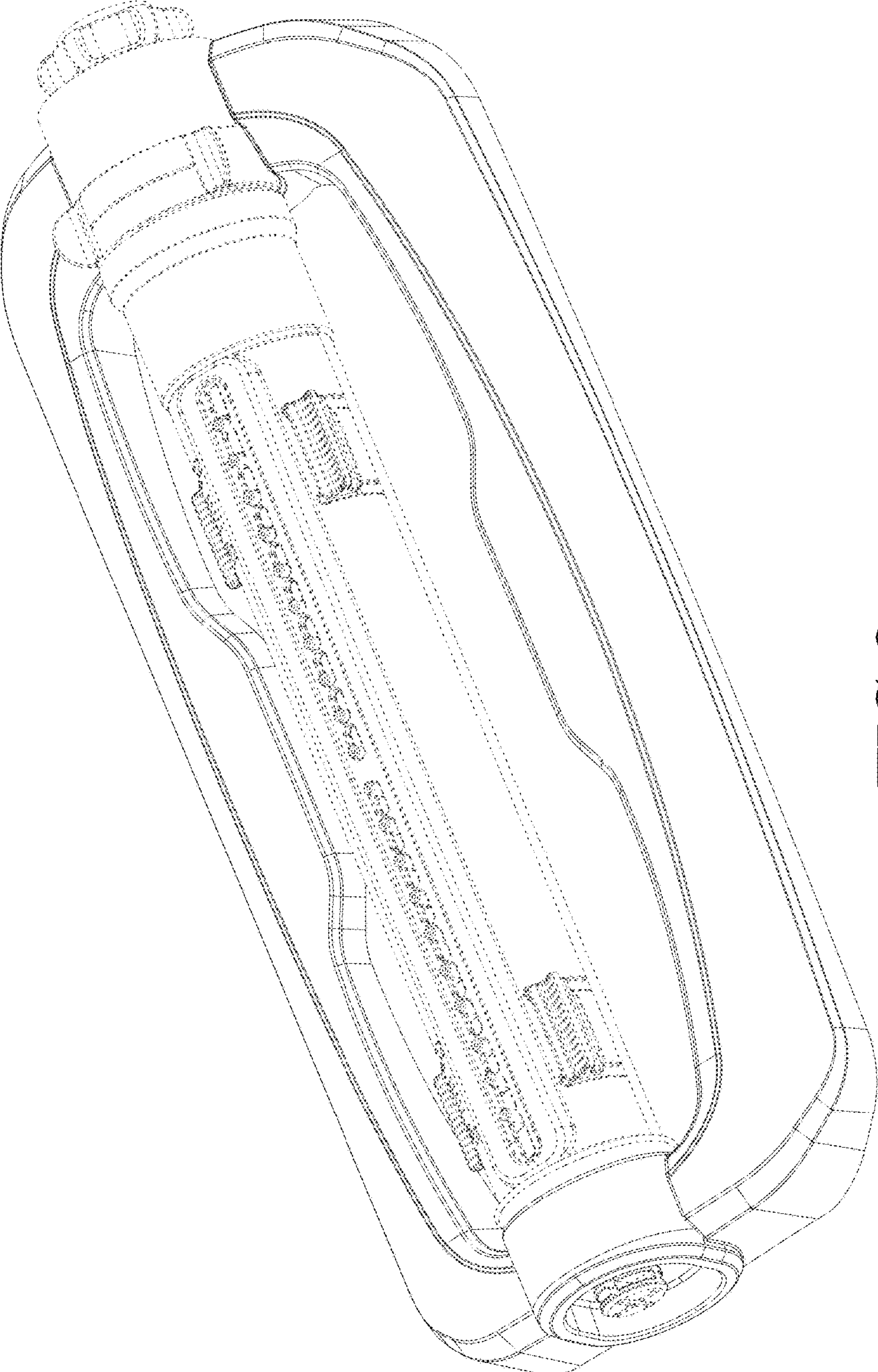


FIG. 8

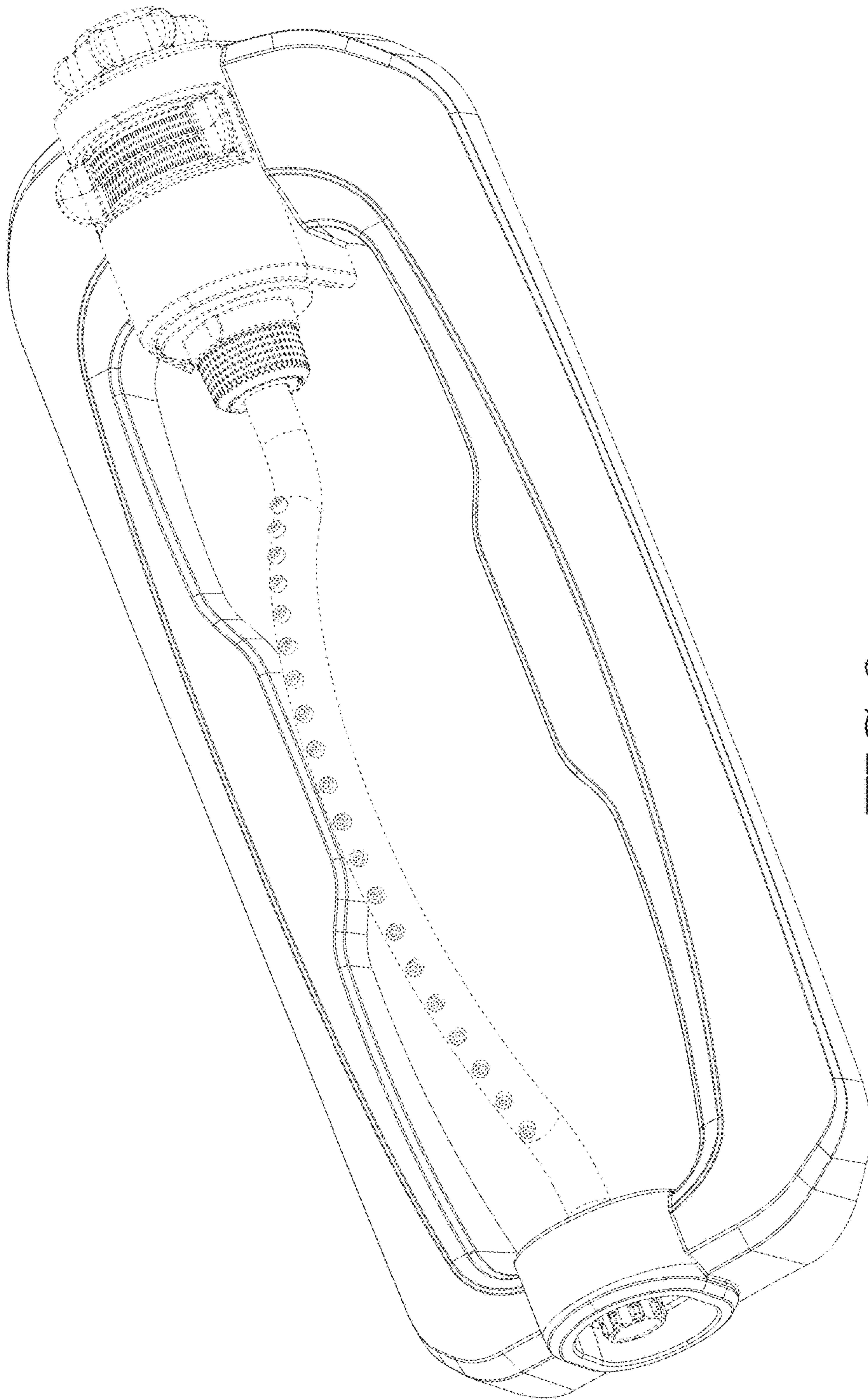


FIG. 9