



US00D849190S

(12) **United States Design Patent**
Boucher et al.

(10) **Patent No.:** **US D849,190 S**
(45) **Date of Patent:** **** May 21, 2019**

(54) **LIQUID DISPENSING SPOUT NOZZLE**

(71) Applicant: **Scepter Manufacturing, LLC,**
Wilmington, DE (US)

(72) Inventors: **Luc Boucher,** Ottawa (CA); **Rod Muir,**
South Mountain (CA); **Michael Sirois,**
Ottawa (CA); **Robert D Watters,**
Ottawa (CA); **Daniel F Marshall,**
Hudson, OH (US)

(73) Assignee: **Scepter Manufacturing, LLC.,**
Wilmington, DE (US)

(**) Term: **15 Years**

(21) Appl. No.: **29/623,782**

(22) Filed: **Oct. 26, 2017**

Related U.S. Application Data

(63) Continuation-in-part of application No. 15/591,021,
filed on May 9, 2017, now Pat. No. 10,077,145.

(51) **LOC (11) Cl.** **23-01**

(52) **U.S. Cl.**
USPC **D23/213; D23/225**

(58) **Field of Classification Search**
USPC D23/213, 223, 225; 222/566; D9/434,
D9/435, 447, 448; 239/271-2
CPC A62C 31/02; A62C 31/03; B05B 1/304;
B05B 1/308; B65D 47/247; B65D 47/24;
B65D 47/32; B65D 47/06
See application file for complete search history.

(56) **References Cited**

U.S. PATENT DOCUMENTS

2,343,647 A * 3/1944 Doerr B05B 1/308
239/457
2,364,905 A * 12/1944 Lewis A62C 31/02
239/457

2,376,881 A * 5/1945 Nielsen A62C 31/02
239/441
2,388,508 A * 11/1945 Timpson A62C 31/02
169/14
2,993,655 A * 7/1961 O'Brien B05B 1/12
239/582.1
3,001,725 A * 9/1961 Lockett B05B 1/12
239/458
D200,961 S * 4/1965 Belnert D23/225
D205,337 S * 7/1966 Sheldall D23/225
3,363,842 A * 1/1968 Burns A62C 31/03
239/441
D445,872 S * 7/2001 Ketcham D23/225
D509,560 S * 9/2005 Hubmann A62C 31/02
D23/213
D709,988 S * 7/2014 Ford A62C 31/02
D23/213
D760,870 S * 7/2016 Popek A62C 31/02
D23/225
9,725,293 B2 * 8/2017 Quasters B65D 23/02

(Continued)

Primary Examiner — Robin V Webster

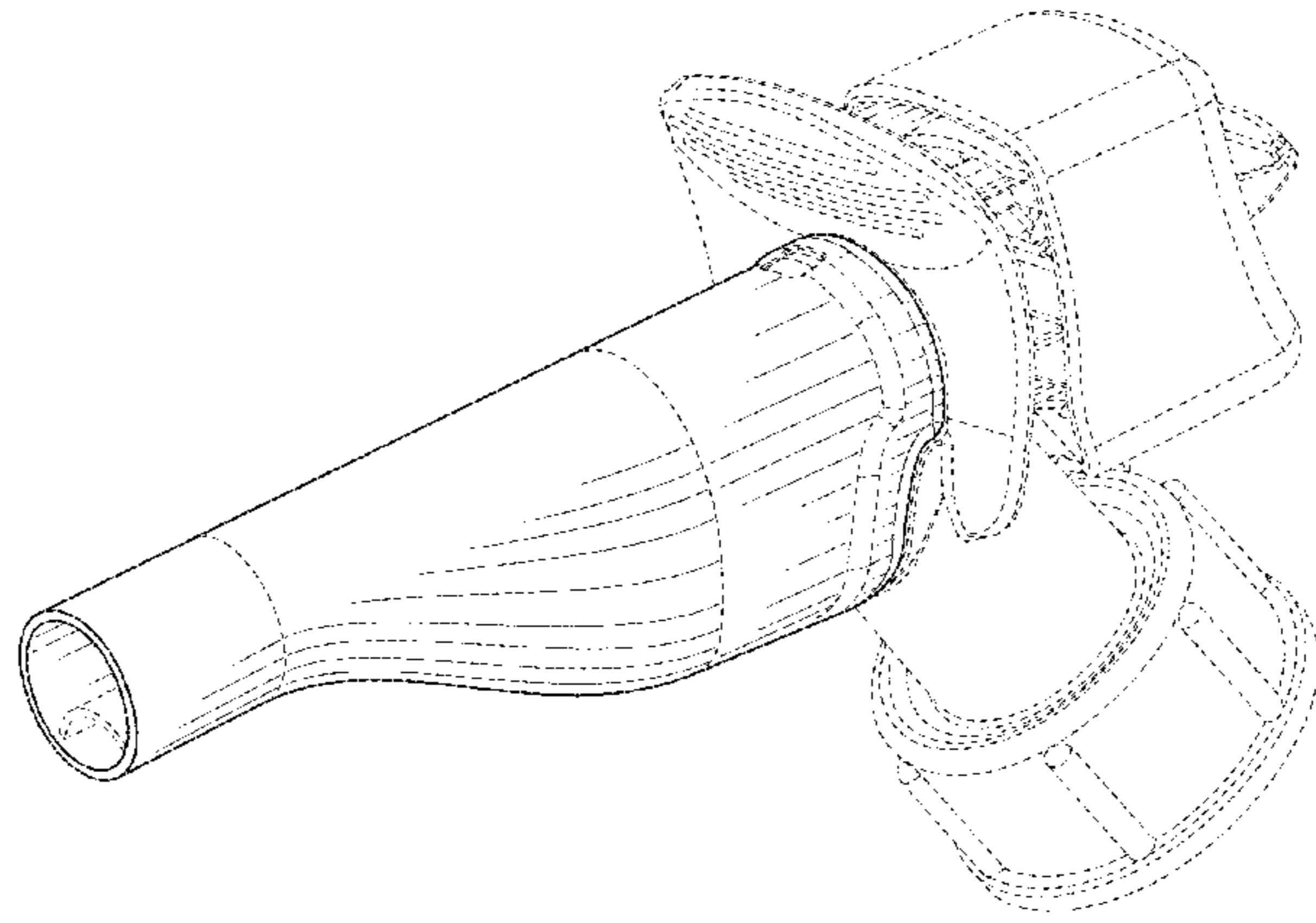
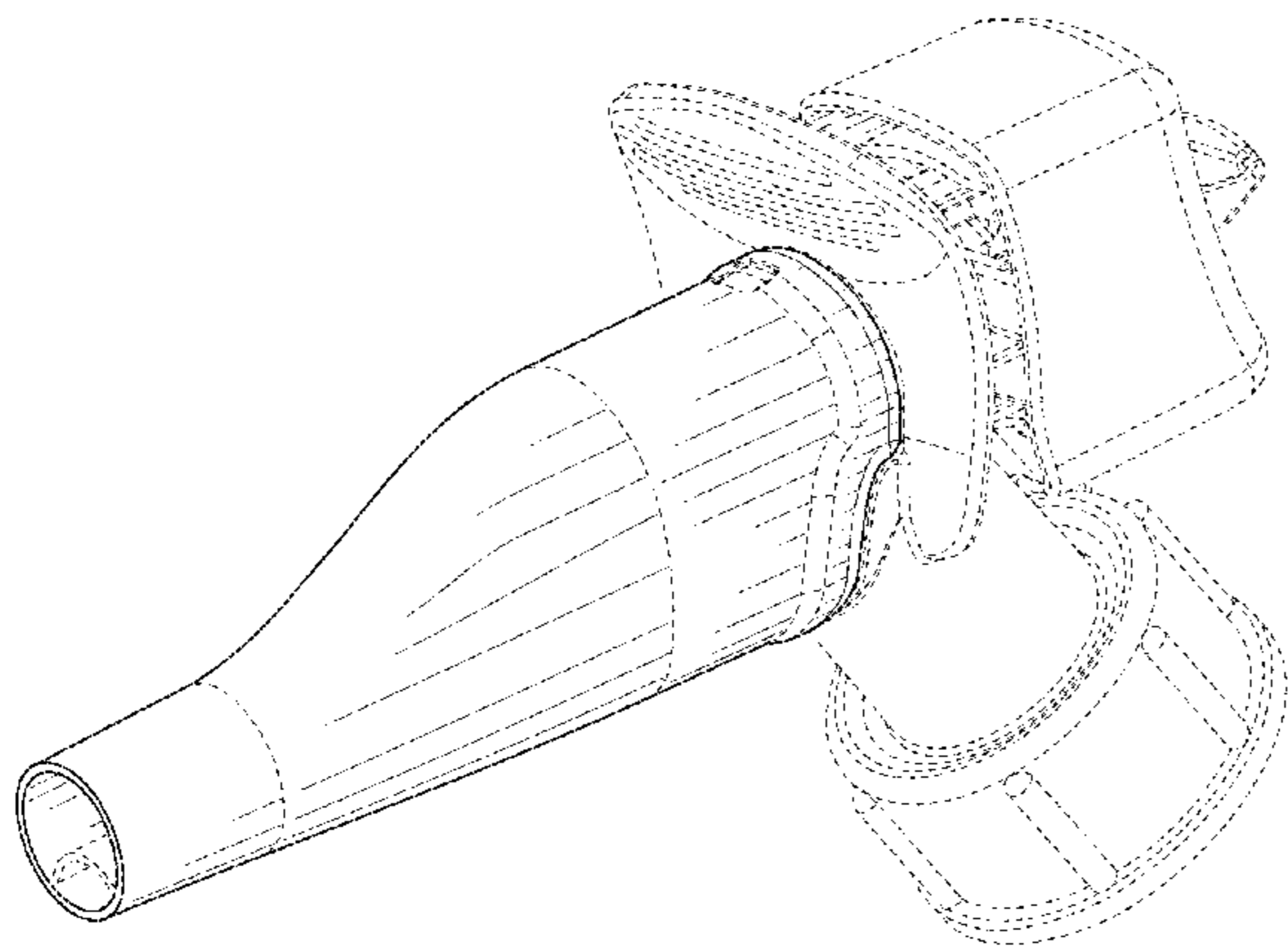
(57) **CLAIM**

The ornamental design for a liquid dispensing spout nozzle,
as shown and described.

DESCRIPTION

FIG. 1 is a front perspective view thereof;
FIG. 2 is a rear perspective view thereof;
FIG. 3 is a side view thereof;
FIG. 4 is a front perspective view of an alternate embodi-
ment;
FIG. 5 is a rear perspective view of the alternate embodi-
ment; and,
FIG. 6 is a side view of the alternate embodiment.
The broken lines showing of portions of the dispensing
spout are included for the purpose of illustrating and form no
part of the claimed design.

1 Claim, 6 Drawing Sheets



(56)

References Cited

U.S. PATENT DOCUMENTS

D821,541 S *	6/2018	McDonnell	B65D 47/247 D23/213
D825,030 S *	8/2018	McDonnell	B05B 1/12 D23/213
D827,773 S *	9/2018	Schneider	B05B 1/308 D23/225
10,077,145 B1 *	9/2018	Boucher	B65D 47/247
D831,791 S *	10/2018	Tse	B65D 23/02 D23/213

* cited by examiner

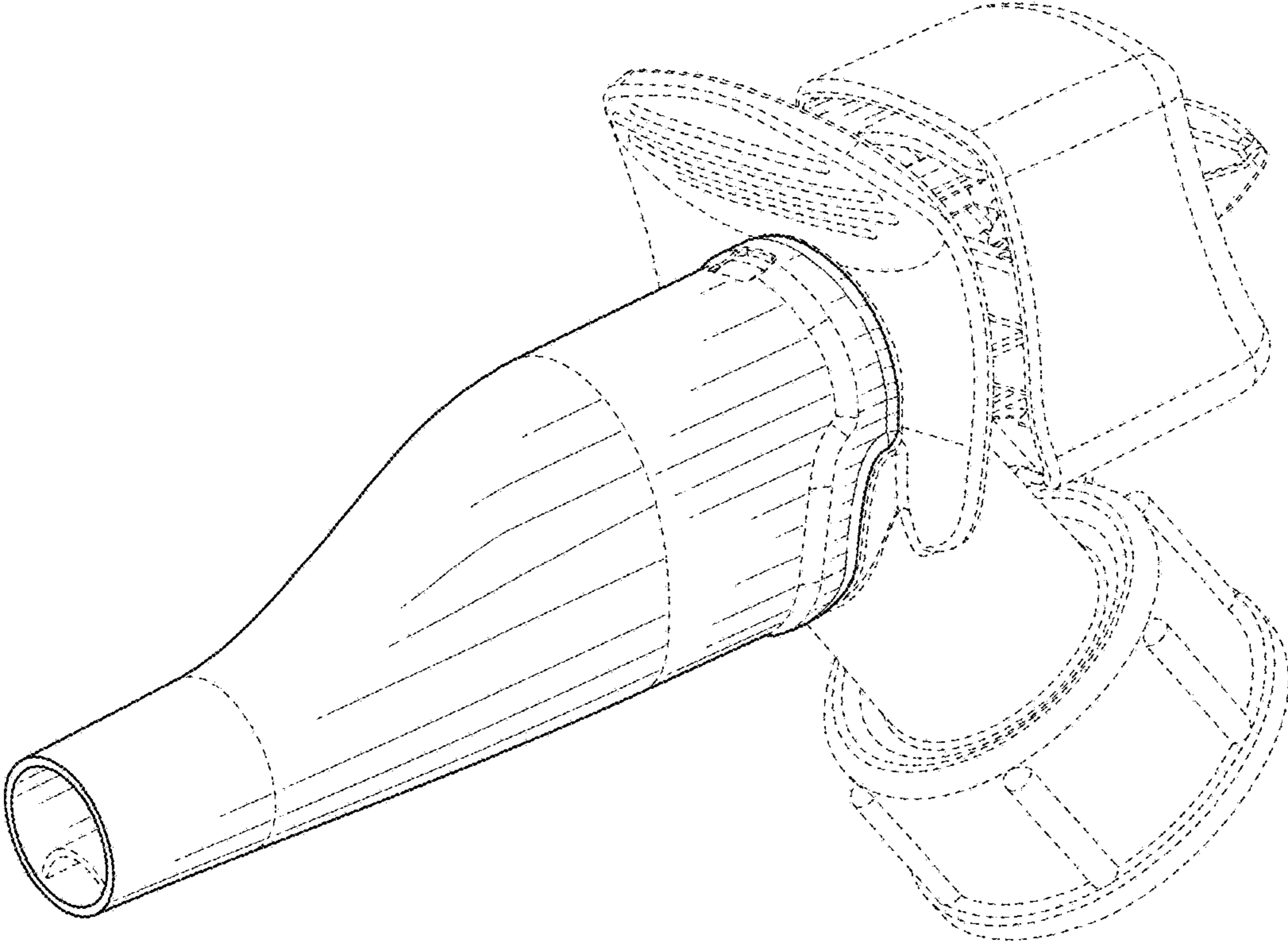


FIG. 1

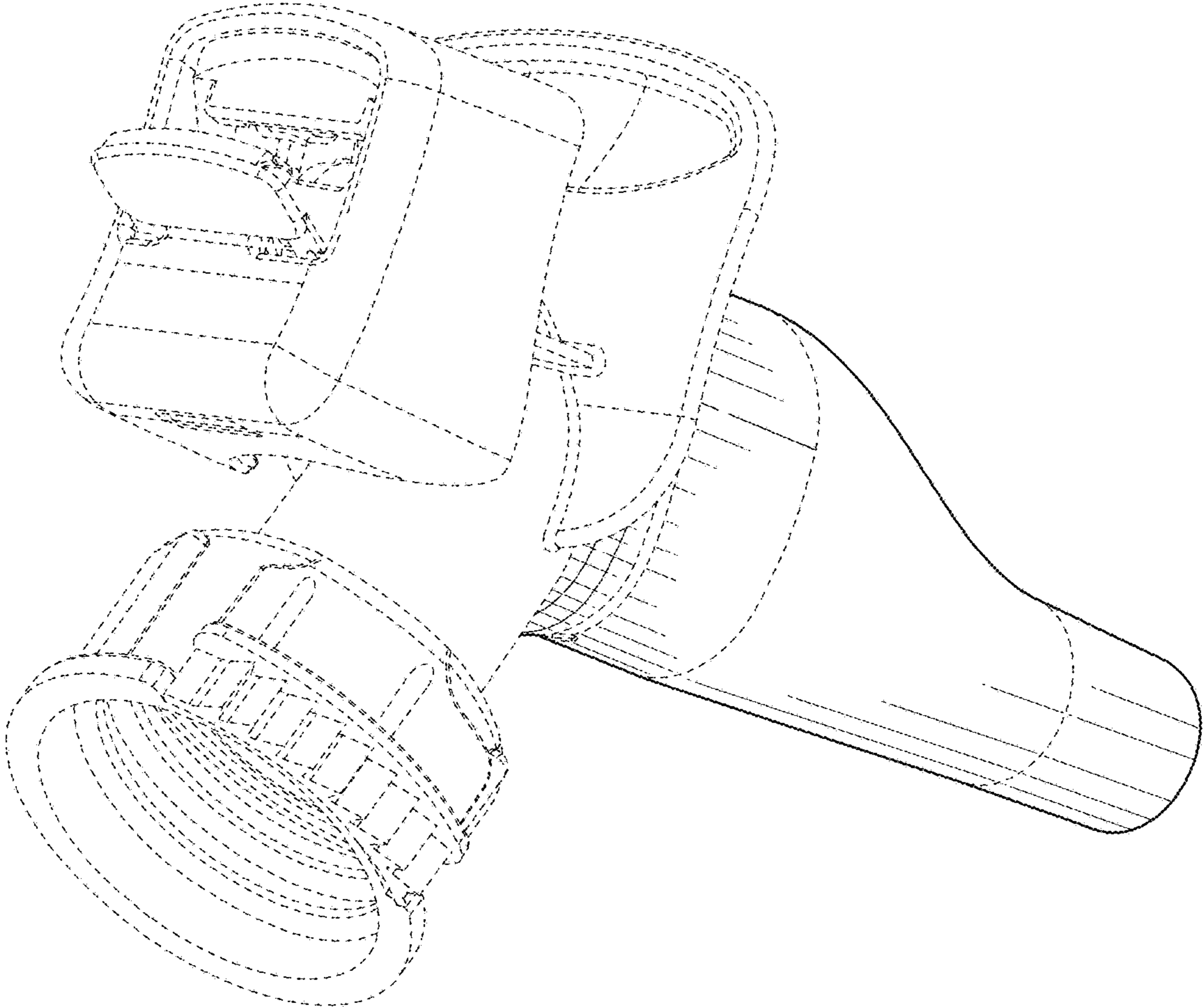


FIG. 2

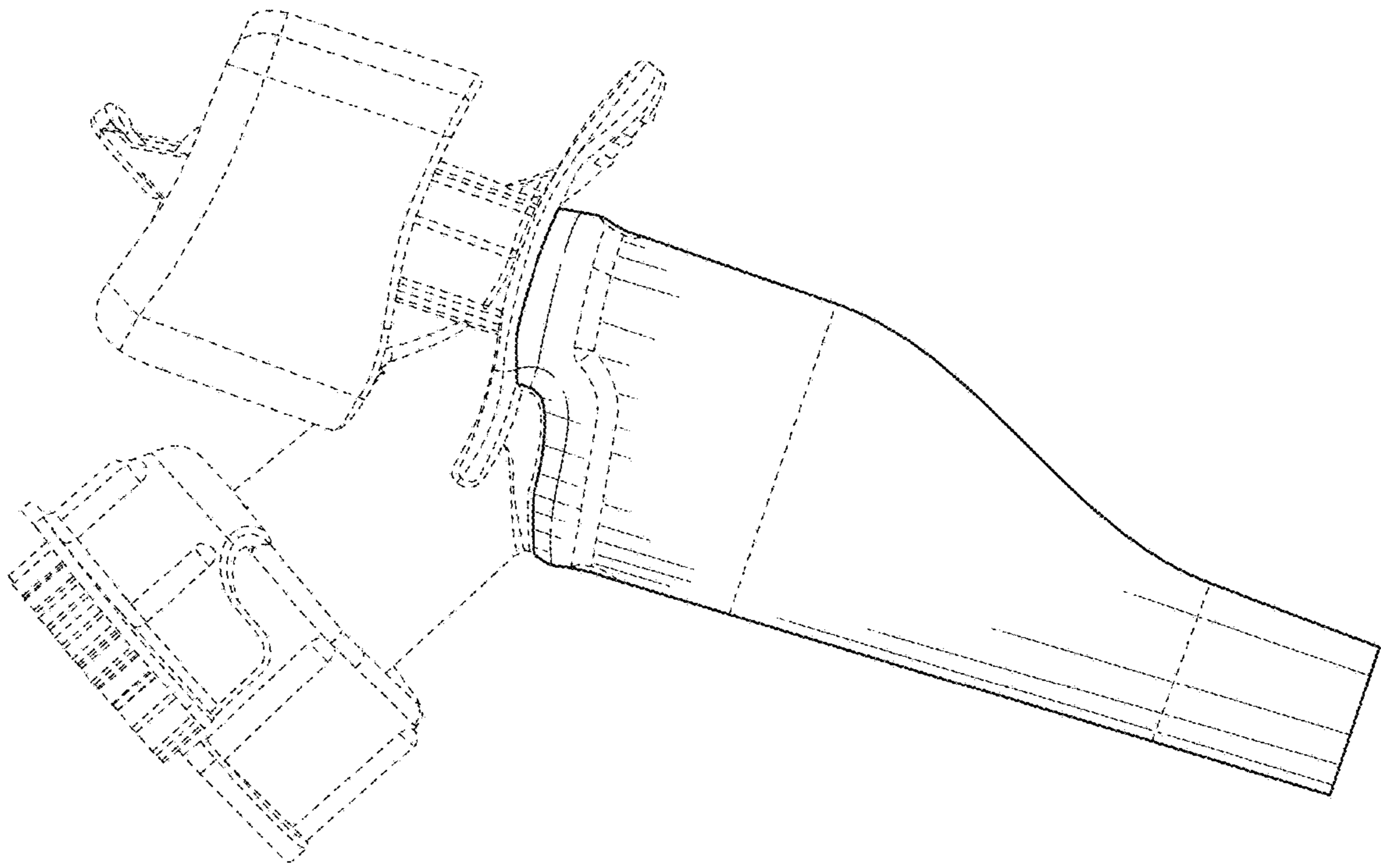


FIG. 3

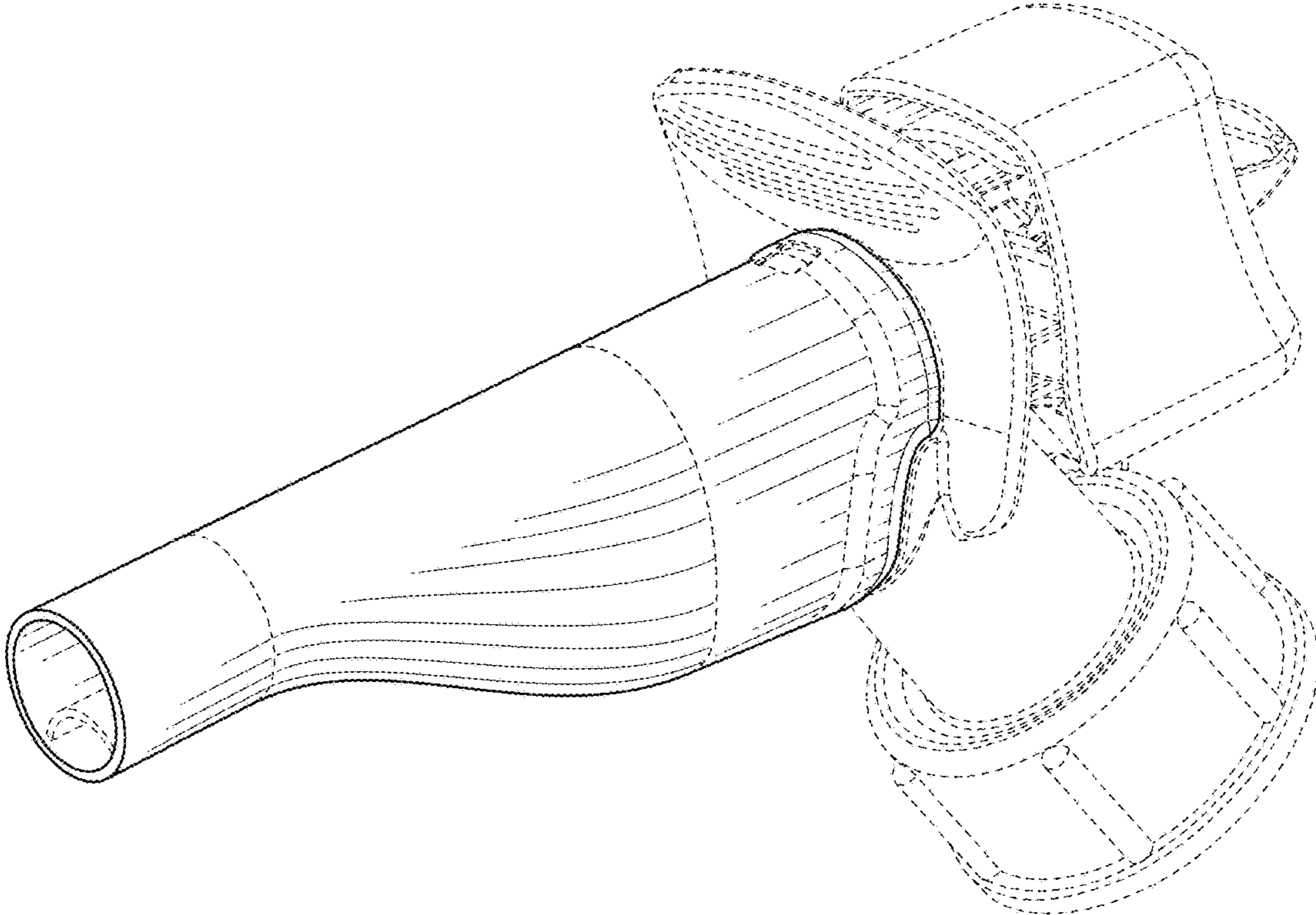


FIG. 4

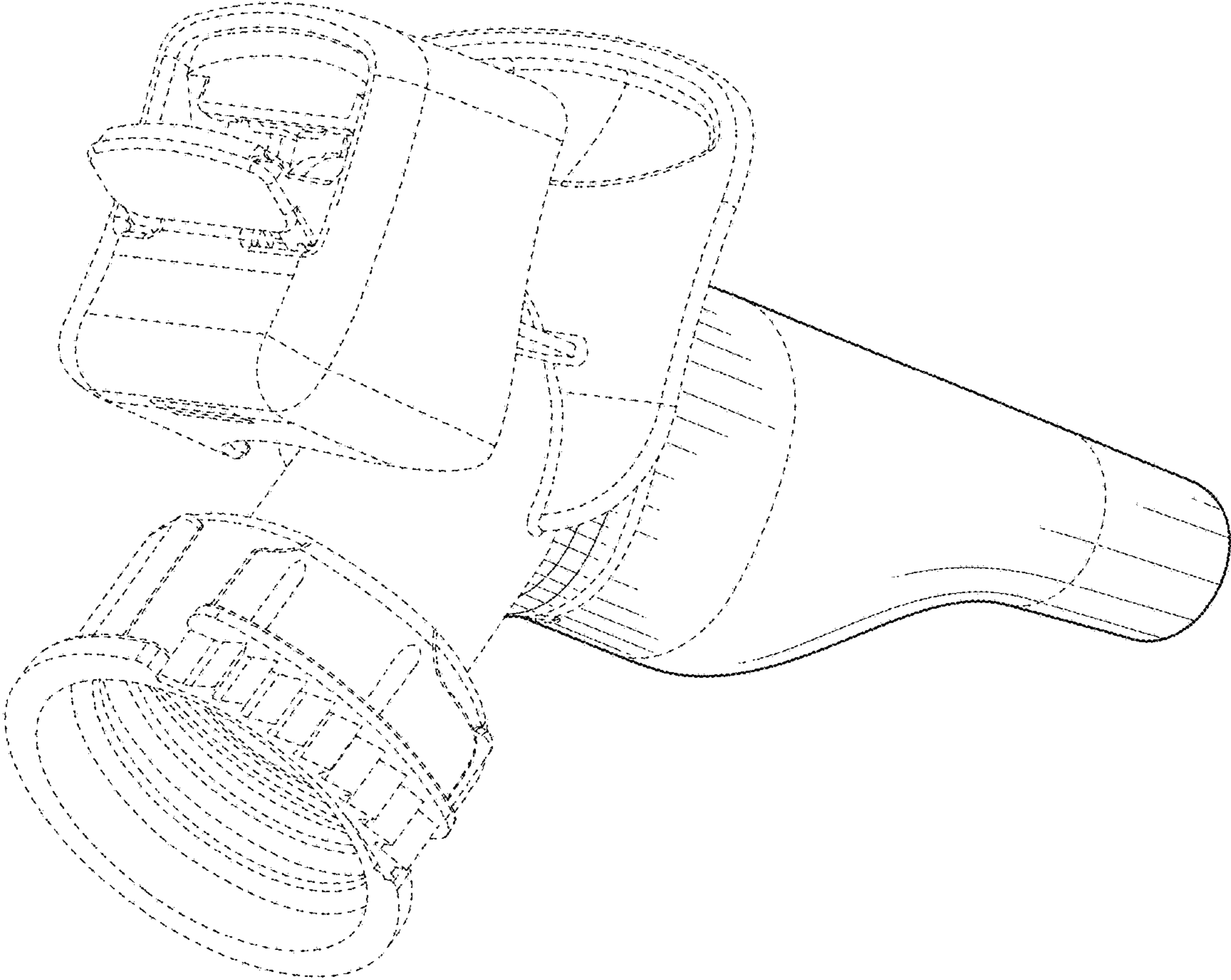


FIG. 5

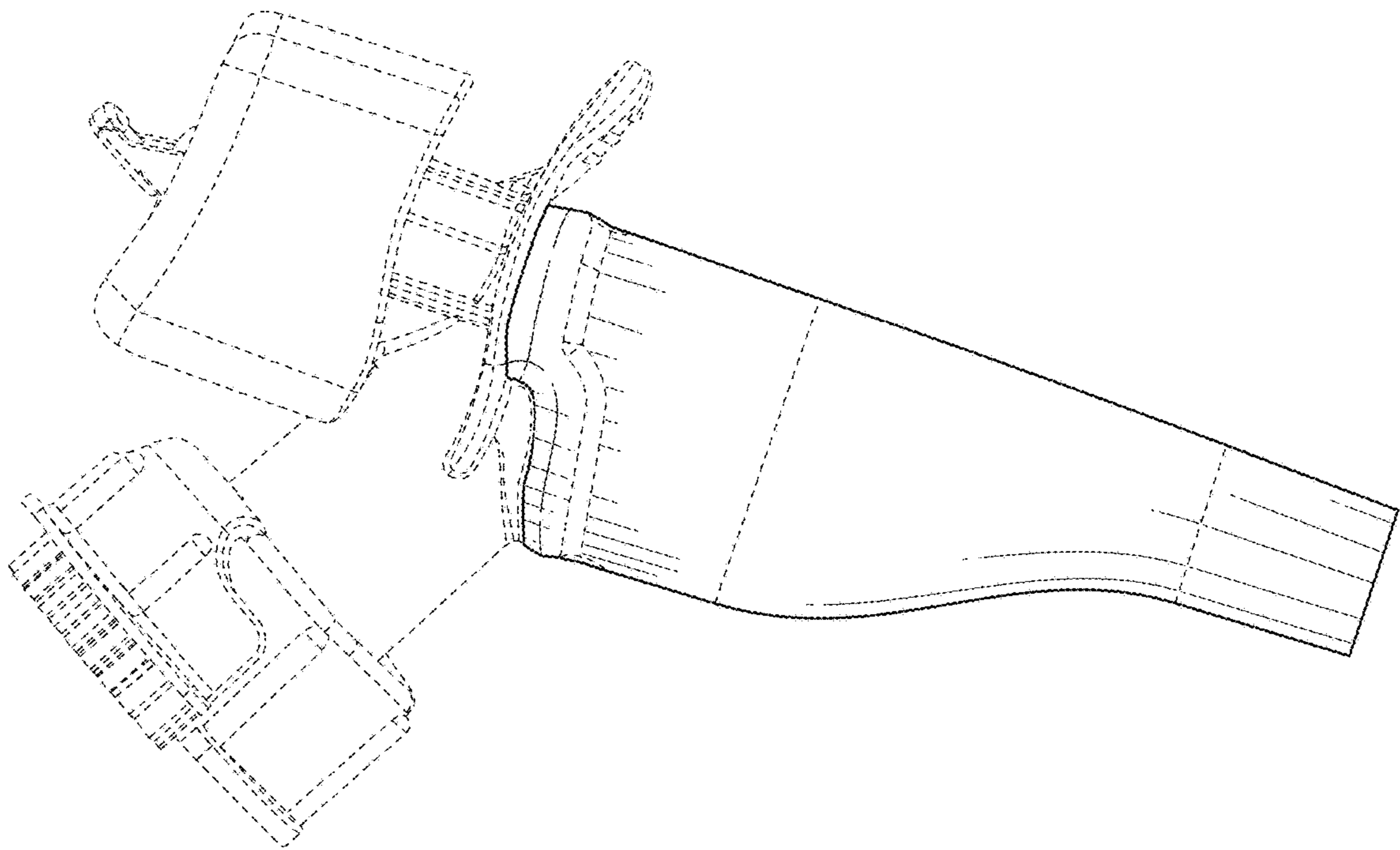


FIG. 6