



US00D849189S

(12) **United States Design Patent**
Boucher et al.

(10) **Patent No.:** **US D849,189 S**
(45) **Date of Patent:** **** May 21, 2019**

- (54) **LIQUID DISPENSING SPOUT**
- (71) Applicant: **Scepter Manufacturing, LLC**,
Wilmington, DE (US)
- (72) Inventors: **Luc Boucher**, Ottawa (CA); **Rod Muir**,
South Mountain (CA); **Michael Sirois**,
Ottawa (CA); **Robert D Watters**,
Ottawa (CA)
- (73) Assignee: **Scepter Manufacturing, LLC.**,
Wilmington, DE (US)
- (**) Term: **15 Years**
- (21) Appl. No.: **29/623,779**
- (22) Filed: **Oct. 26, 2017**

2,376,881	A *	5/1945	Nielsen	A62C 31/02 239/441
2,388,508	A *	11/1945	Timpson	A62C 31/02 169/14
2,993,655	A *	7/1961	O'Brien	B05B 1/12 239/582.1
3,001,725	A *	9/1961	Lockett	B05B 1/12 239/458
D200,961	S *	4/1965	Belkert	D23/225
D205,337	S *	7/1966	Sheldall	D23/225
3,363,842	A *	1/1968	Burns	A62C 31/03 239/441
D445,872	S *	7/2001	Ketcham	D23/225
D509,560	S *	9/2005	Hubmann	A62C 31/02 D23/213
D709,988	S *	7/2014	Ford	A62C 31/02 D23/213
D760,870	S *	7/2016	Popek	A62C 31/02 D23/225
9,725,293	B2 *	8/2017	Quasters	B65D 23/02
D821,541	S *	6/2018	McDonnell	B65D 47/247 D23/213

Related U.S. Application Data

- (62) Division of application No. 15/591,021, filed on May 9, 2017, now Pat. No. 10,077,145.
- (51) **LOC (11) Cl.** **23-01**
- (52) **U.S. Cl.**
USPC **D23/213; D23/225**
- (58) **Field of Classification Search**
USPC D23/213, 223, 225; 222/566; D9/434,
D9/435, 447, 448; 239/271-2
CPC A62C 31/02; A62C 31/03; B05B 1/304;
B05B 1/308; B65D 47/247; B65D 47/24;
B65D 47/32; B65D 47/06
See application file for complete search history.

References Cited

U.S. PATENT DOCUMENTS

2,343,647	A *	3/1944	Doerr	B05B 1/308 239/457
2,364,905	A *	12/1944	Lewis	A62C 31/02 239/457

(Continued)

Primary Examiner — Robin V Webster

(57) **CLAIM**

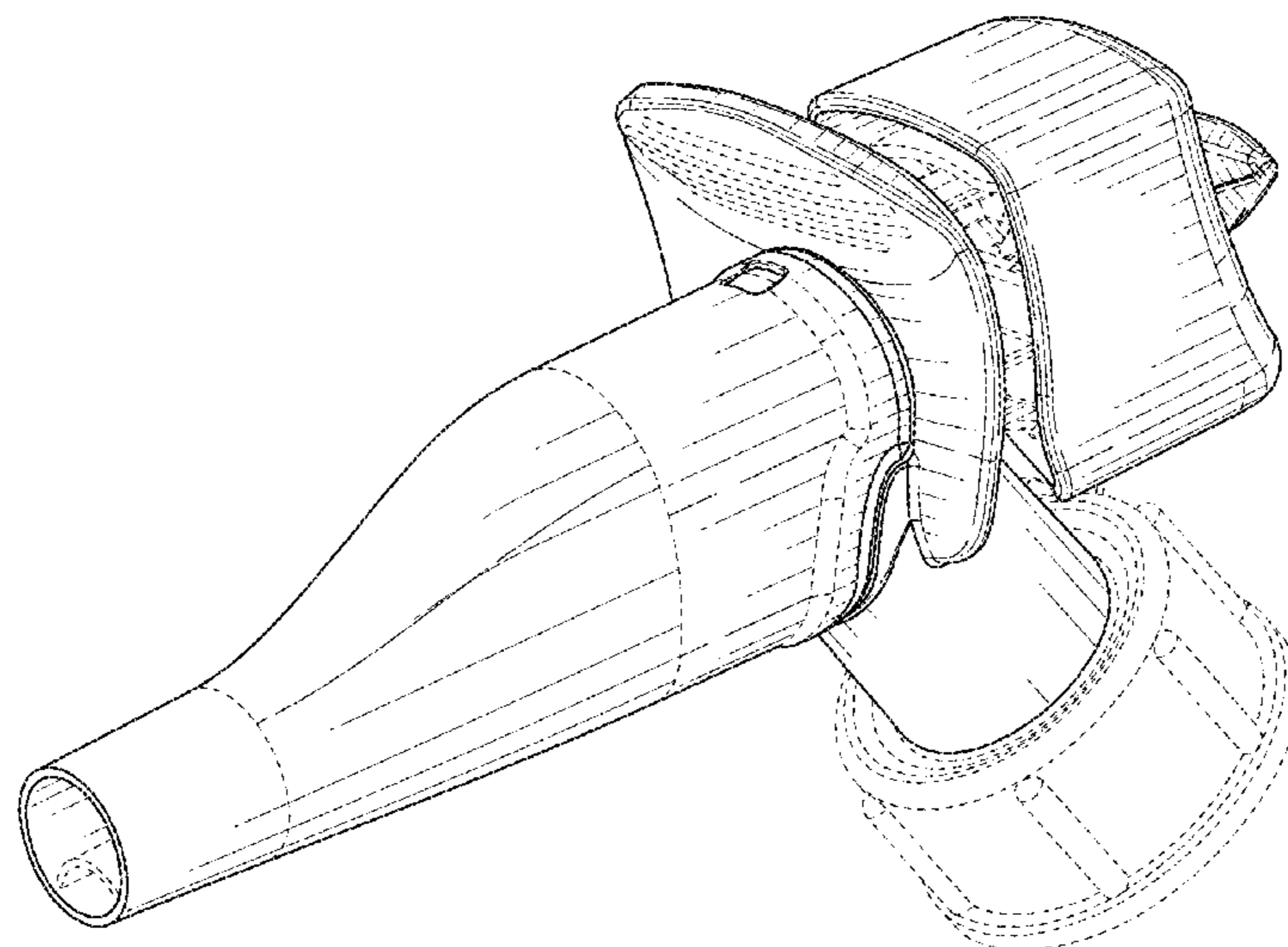
The ornamental design for a liquid dispensing spout, as shown and described.

DESCRIPTION

FIG. 1 is a front perspective view thereof;
 FIG. 2 is a rear perspective view thereof;
 FIG. 3 is a side view thereof;
 FIG. 4 is a front view thereof;
 FIG. 5 is a rear view thereof;
 FIG. 6 is a top view; and,
 FIG. 7 is a bottom view.

The broken lines showing of portions of the dispensing spout are included for the purpose of illustrating and form no part of the claimed design.

1 Claim, 5 Drawing Sheets



(56)

References Cited

U.S. PATENT DOCUMENTS

D825,030 S * 8/2018 McDonnell B05B 1/12
D23/213
D827,773 S * 9/2018 Schneider B05B 1/308
D23/225
10,077,145 B1 * 9/2018 Boucher B65D 47/247
D831,791 S * 10/2018 Tse B65D 23/02
D23/213

* cited by examiner

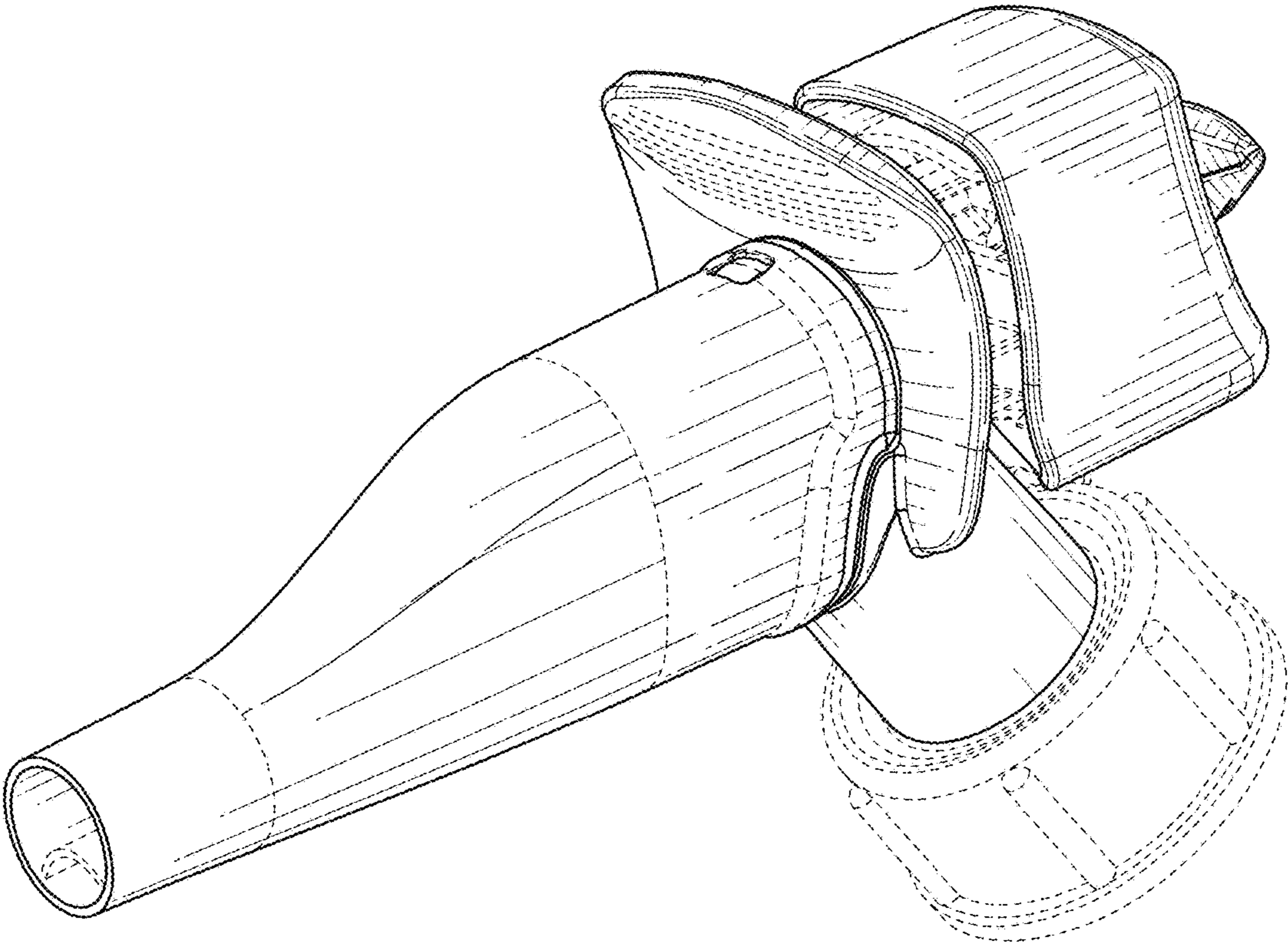


FIG. 1

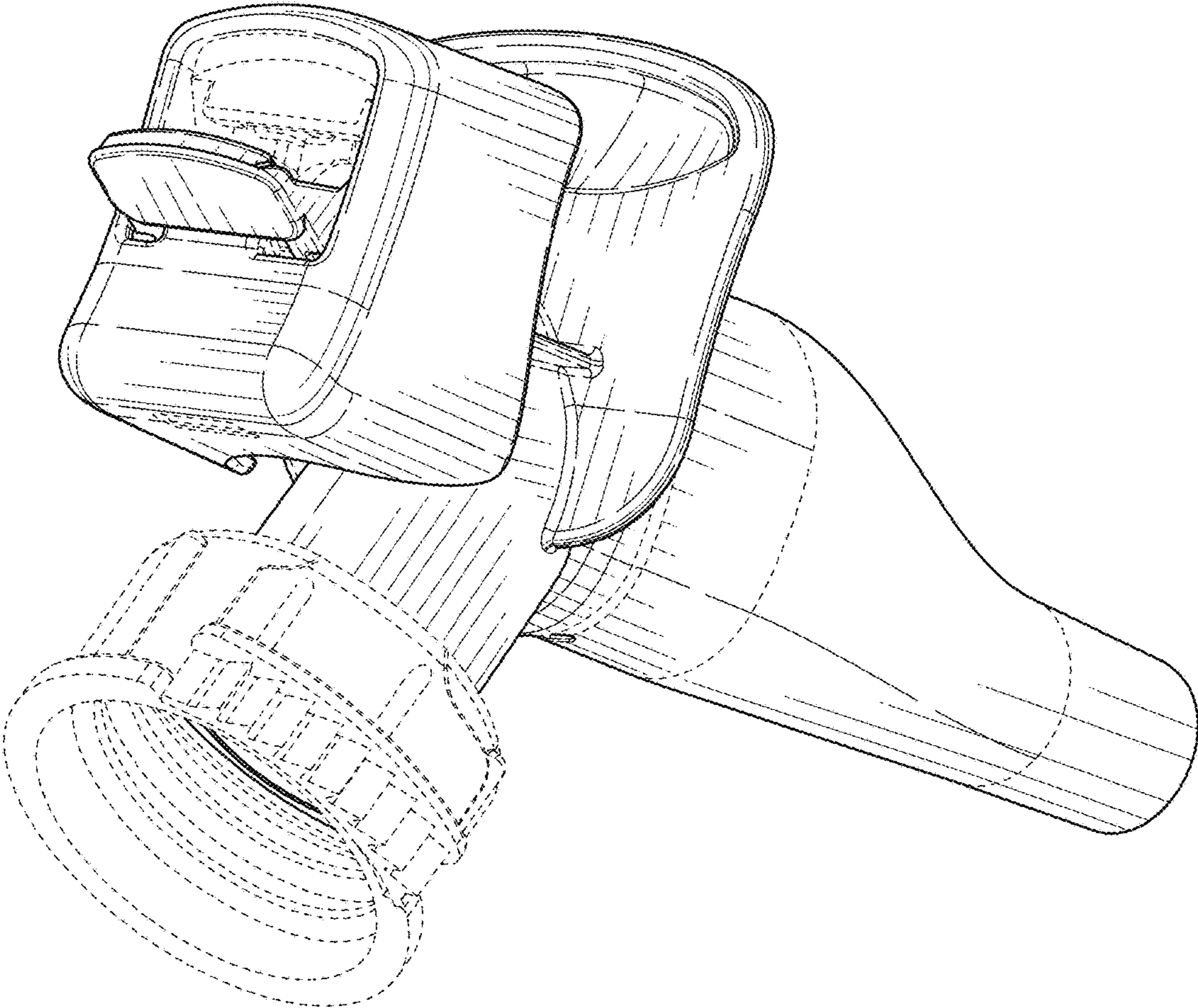


FIG. 2

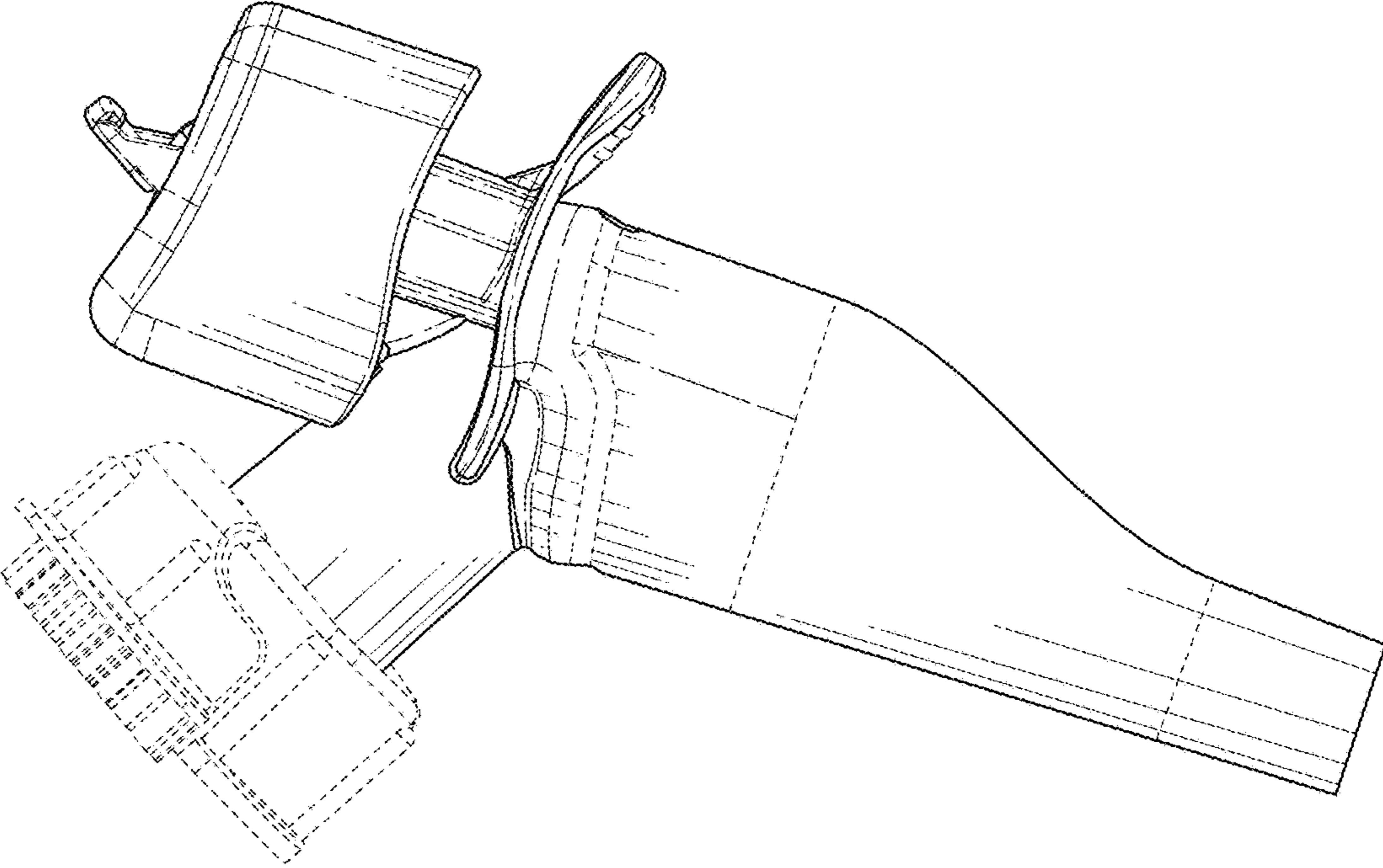


FIG. 3

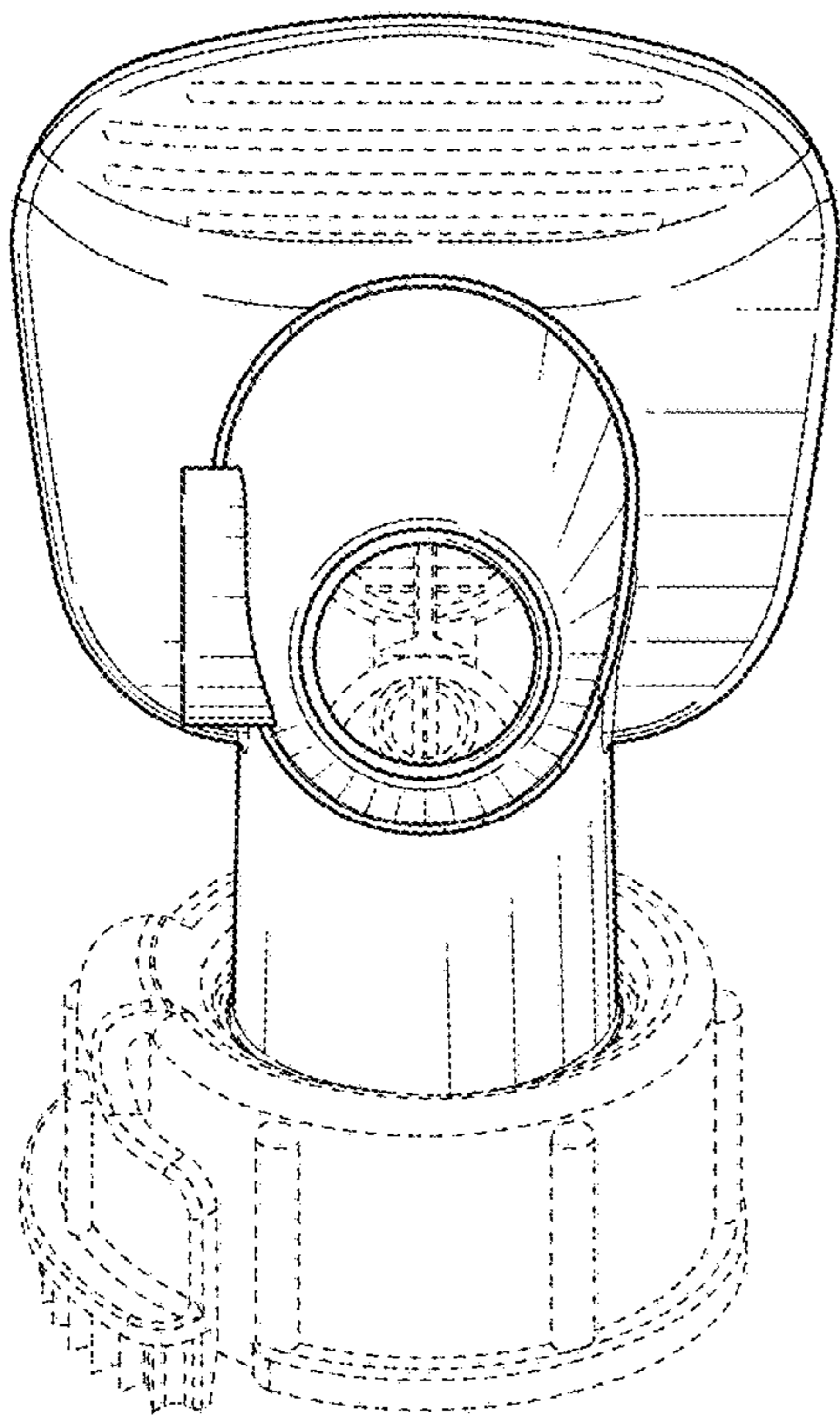


FIG. 4

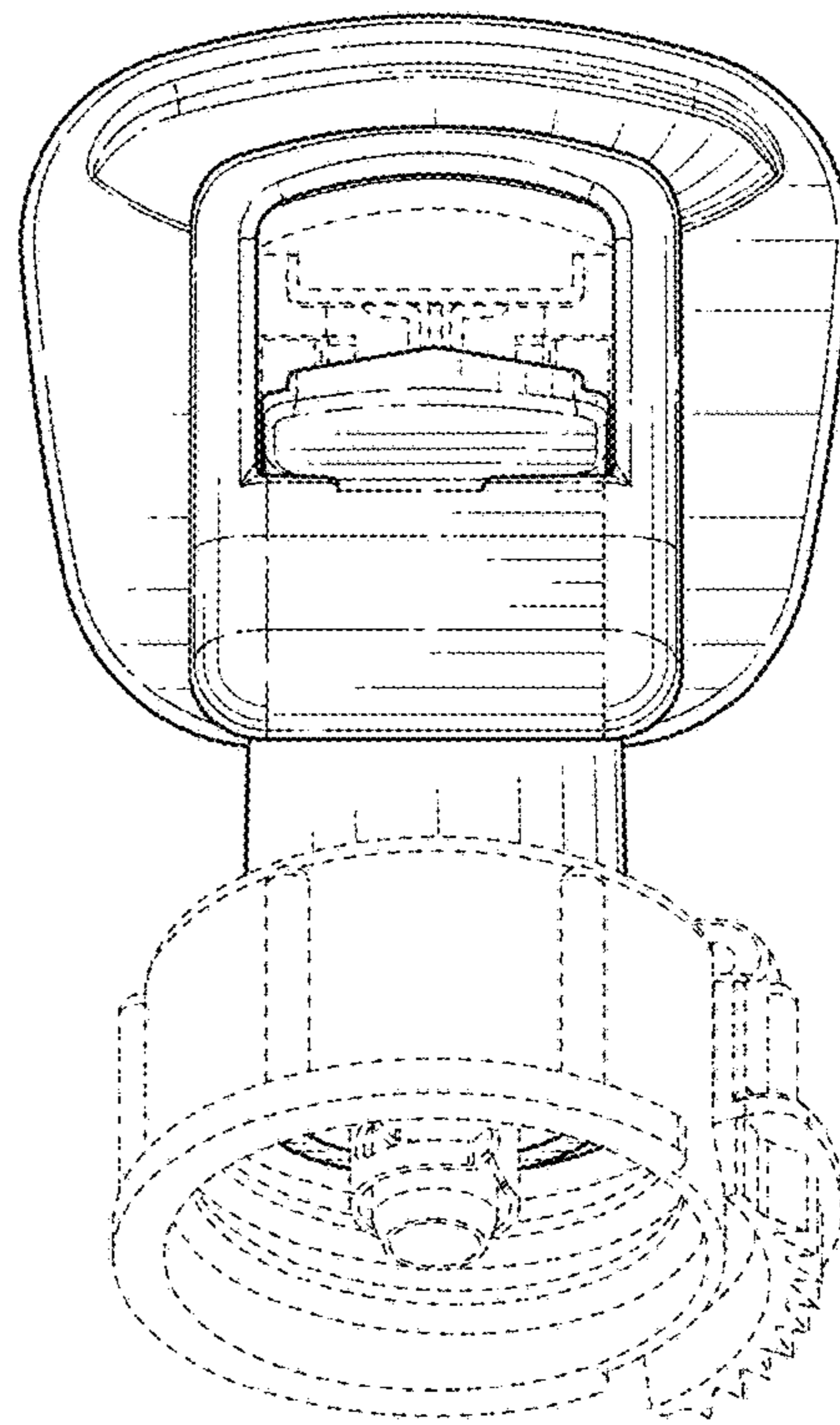


FIG. 5

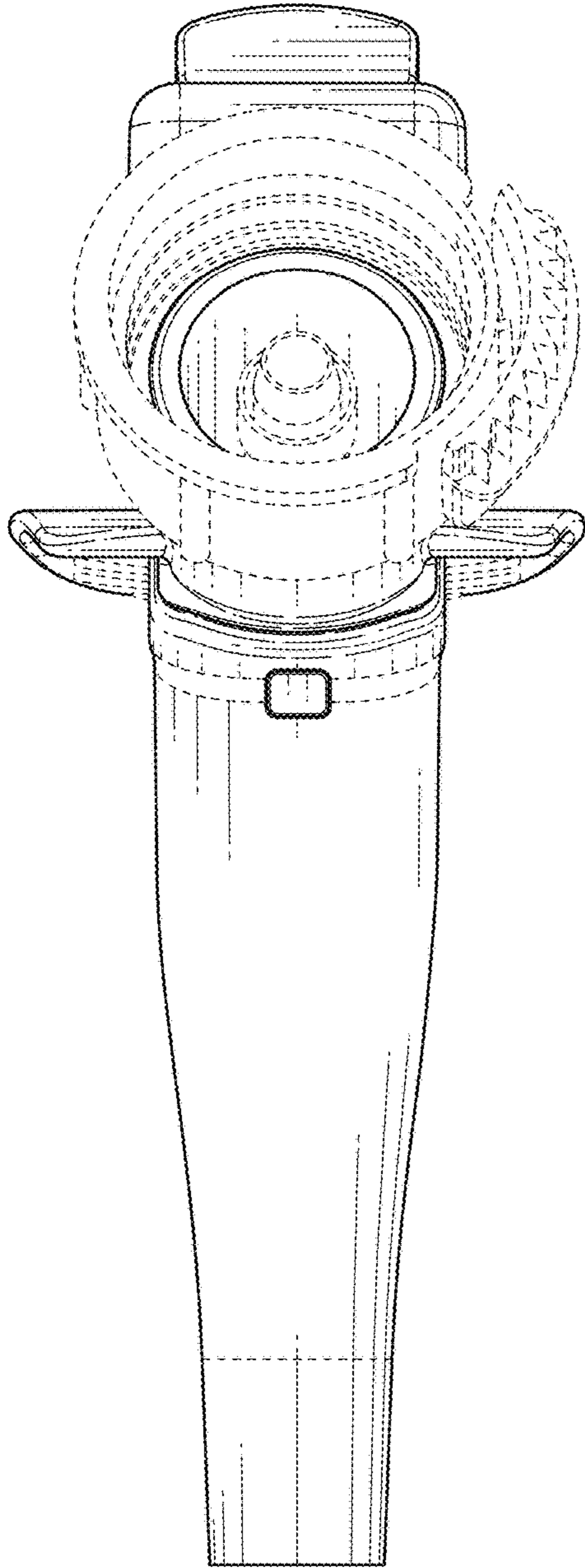


FIG. 6

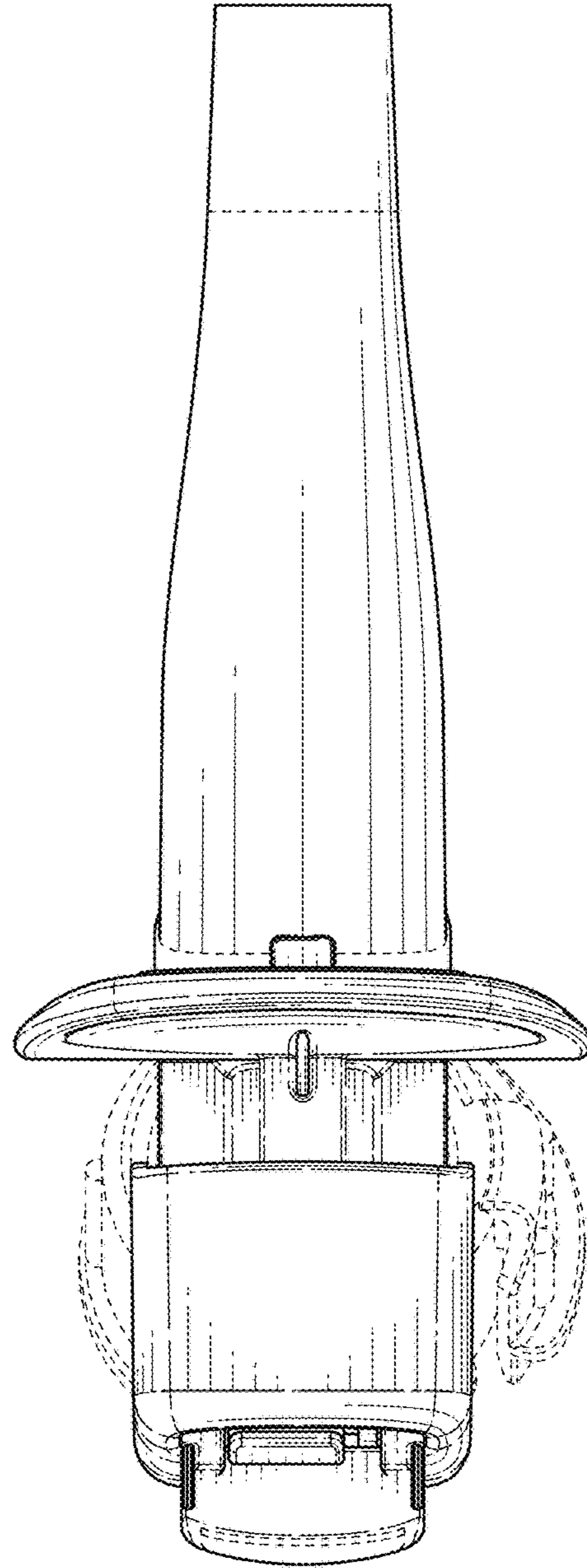


FIG. 7