



US00D849187S

(12) **United States Design Patent** (10) **Patent No.:** **US D849,187 S**
Kremerman (45) **Date of Patent:** **** May 21, 2019**

(54) **DISTILLATION HEAD** 4,303,614 A * 12/1981 Spring B01D 3/00
137/217
(71) Applicant: **Elliot Kremerman**, Scotts Valley, CA D293,128 S 12/1987 Karamian
(US) D293,368 S 12/1987 Karamian
D306,338 S 2/1990 Rempe
(72) Inventor: **Elliot Kremerman**, Scotts Valley, CA D314,225 S 1/1991 Palmer
(US) D316,739 S 5/1991 Erickson
D339,862 S 9/1993 Weber
5,354,428 A 10/1994 Clark
D358,448 S 5/1995 Paoli
5,411,707 A 5/1995 Hiatt
5,711,857 A * 1/1998 Armstrong B01D 1/0017
159/DIG. 26
(21) Appl. No.: **29/665,415**
(22) Filed: **Oct. 3, 2018**
D412,550 S 8/1999 Bell
D425,174 S 5/2000 Swancara
D432,203 S 10/2000 Edwards
D455,813 S 4/2002 Mount

Related U.S. Application Data

(63) Continuation-in-part of application No. 29/654,593,
filed on Jun. 26, 2018.
(51) **LOC (11) Cl.** **23-01**
(52) **U.S. Cl.**
USPC **D23/207**
(58) **Field of Classification Search**
USPC D23/207, 209; 202/81, 87, 176, 204
CPC C02F 1/04; B01D 5/0051; B01D 3/04;
B01D 3/008; B01D 3/00
See application file for complete search history.

References Cited

U.S. PATENT DOCUMENTS

D173,603 S 12/1954 Atkinson
3,020,215 A * 2/1962 Weber B01D 1/0017
202/197
3,271,935 A 9/1966 Smith
3,334,025 A * 8/1967 Reid B01D 3/00
202/161
D247,248 S 2/1978 Durot
4,089,749 A * 5/1978 Karamian B01D 3/00
202/176
D248,485 S 7/1978 Strauss
4,159,817 A 7/1979 Ikawa
4,230,536 A * 10/1980 Sech B01D 1/0094
122/234

(Continued)

Primary Examiner — Robin V Webster

(74) *Attorney, Agent, or Firm* — Michael J. Feigin, Esq.;
Feigin and Fridman LLC

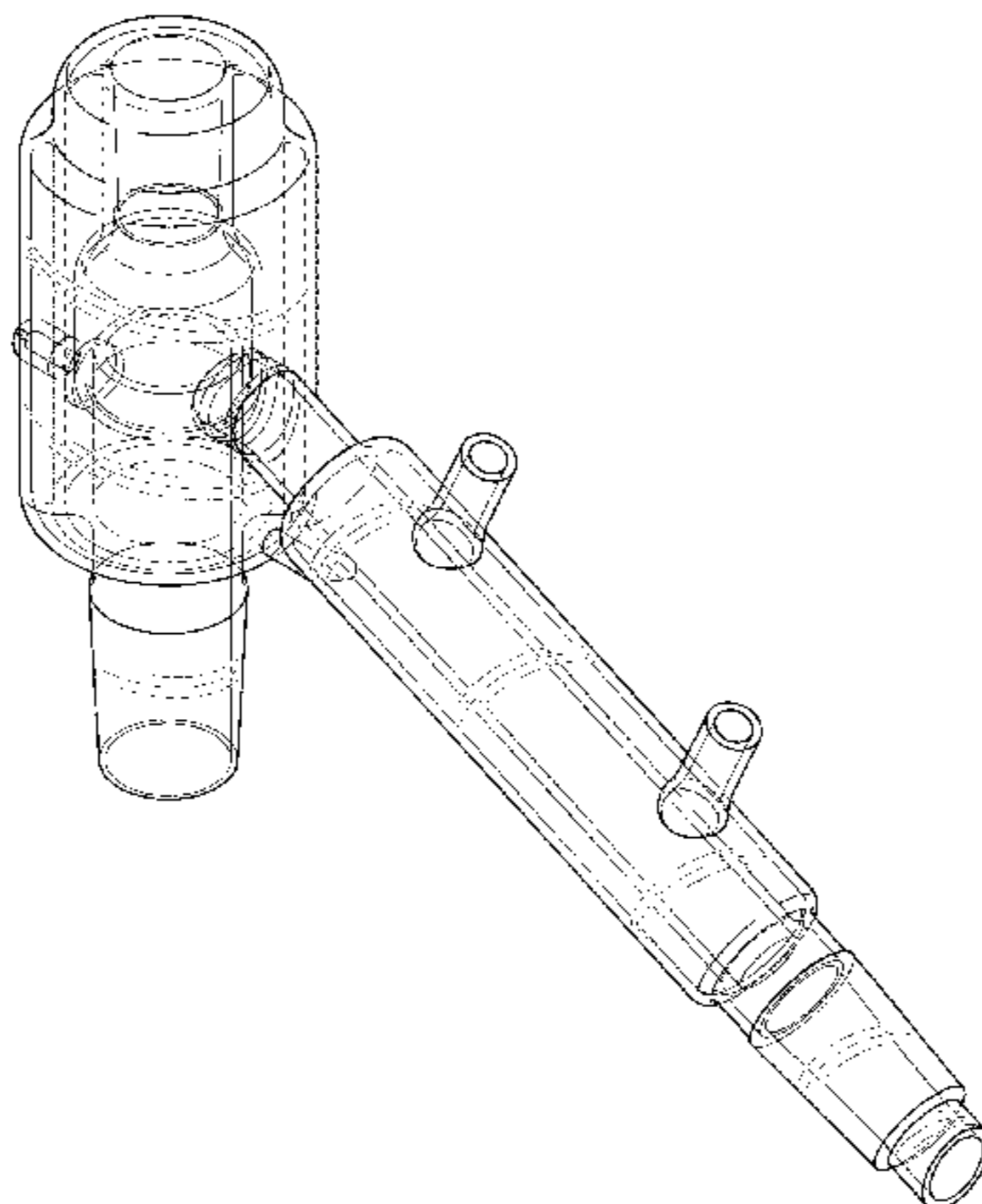
(57) **CLAIM**

The ornamental design for a a distillation head, as shown
and described.

DESCRIPTION

FIG. 1 shows a top and side perspective view of a distillation
head.
FIG. 2 shows a bottom and reverse side perspective view
thereof.
FIG. 3 shows a side view, the reverse side being a mirror
image thereof.
FIG. 4 shows a front view thereof.
FIG. 5 shows a rear view thereof.
FIG. 6 shows a top plan view thereof.
FIG. 7 shows a bottom plan view thereof; and,
FIG. 8 shows a cutaway view taken along line 8-8 in FIG.
5.

1 Claim, 6 Drawing Sheets



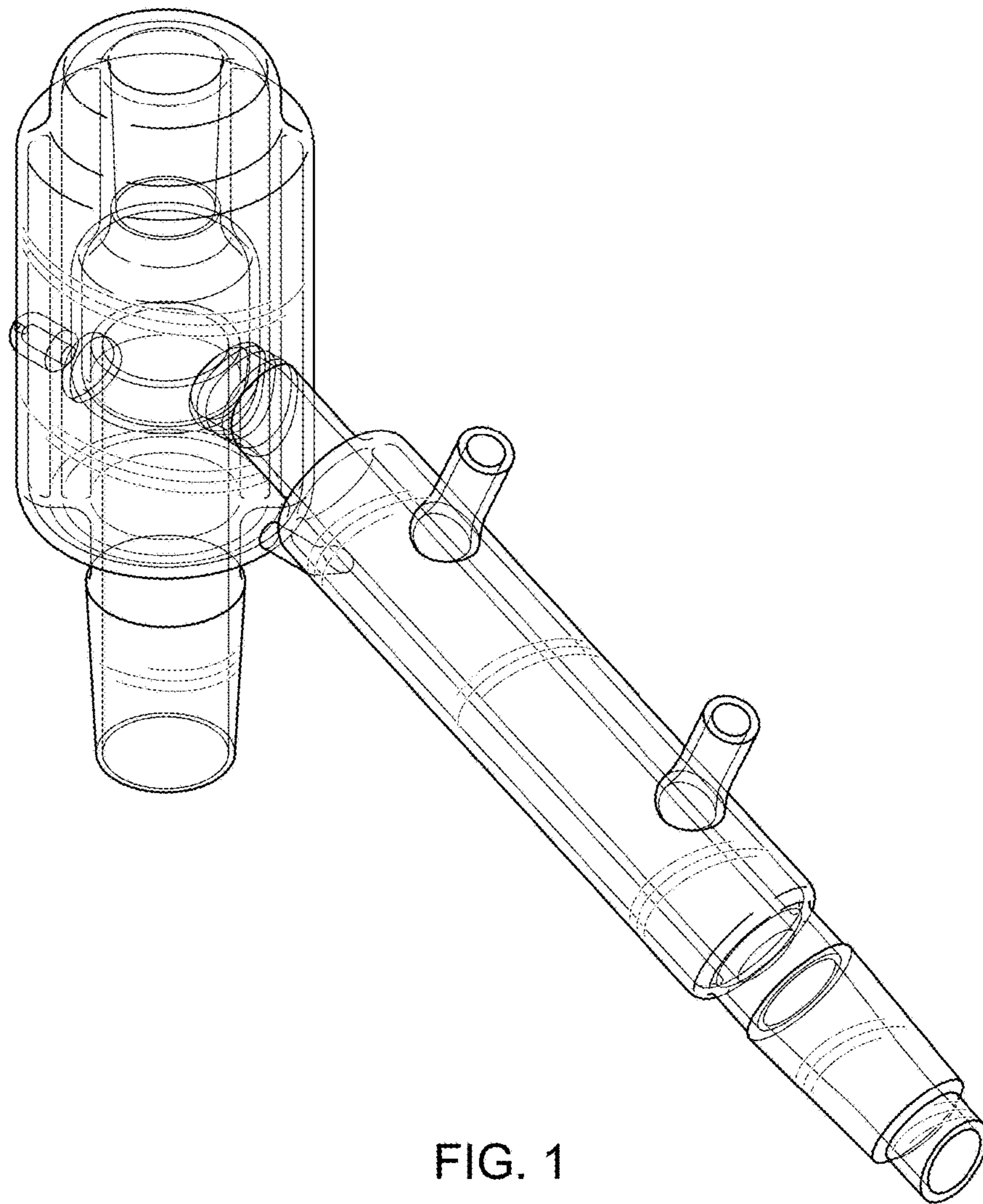
(56)

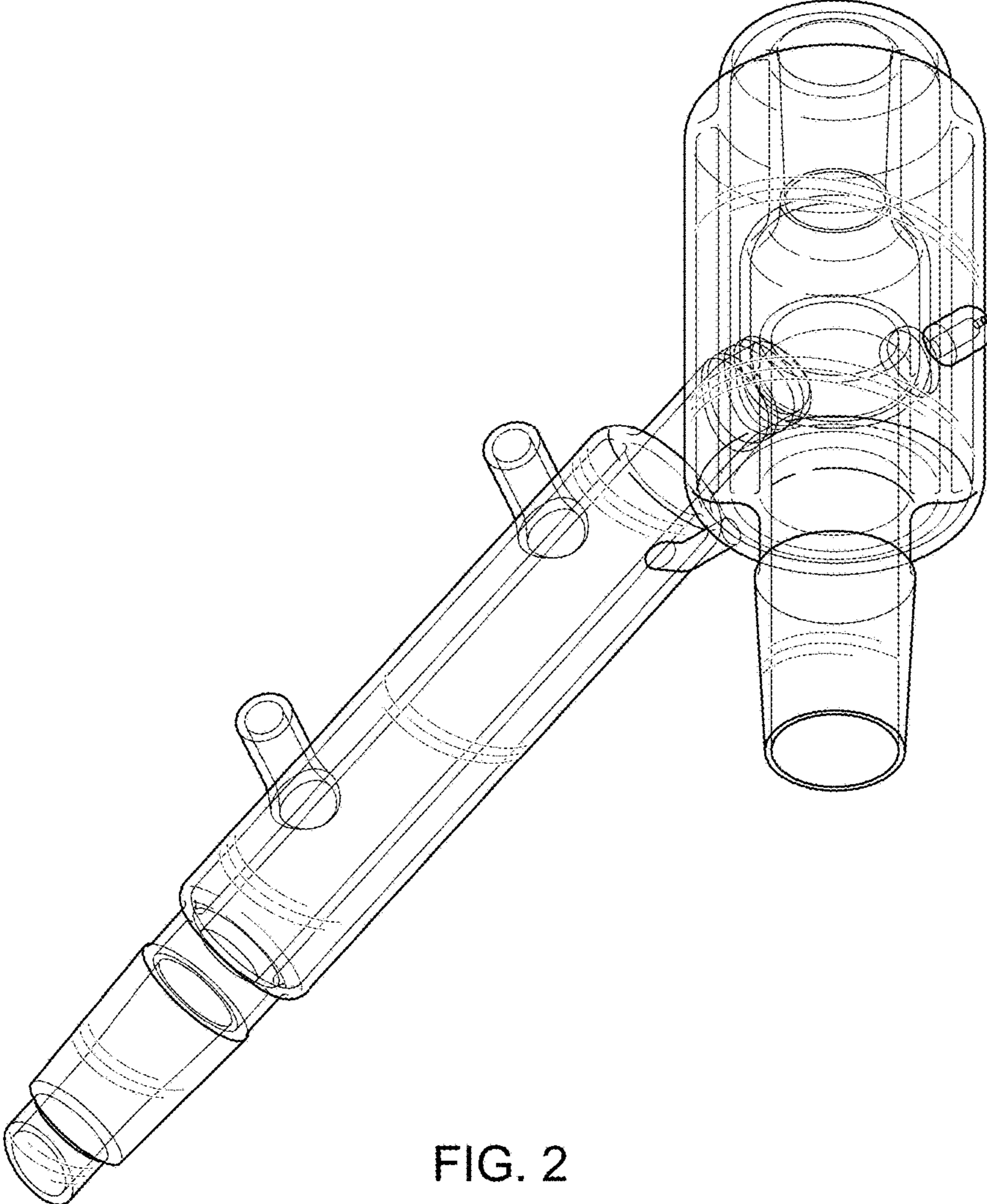
References Cited

U.S. PATENT DOCUMENTS

D458,340	S	6/2002	Lindahl	
6,551,464	B1	4/2003	Kimel	
D634,397	S	3/2011	Lautzenheiser	
D706,386	S	6/2014	Ambler	
D727,460	S	4/2015	Collins	
D731,615	S	6/2015	Ambler	
9,138,657	B1	9/2015	Wiederin	
D775,310	S	12/2016	Kremerman	
D776,238	S	1/2017	Kremerman	
D780,286	S	2/2017	Ausner	
D787,630	S	5/2017	Lipkens	
D790,033	S	6/2017	Kremerman	
9,682,331	B2 *	6/2017	Kremerman B01D 3/10
D802,084	S	12/2017	Kremerman	
D802,085	S	12/2017	Kremerman	
D805,599	S	12/2017	Kremerman	
D805,600	S *	12/2017	Kremerman B01D 1/0017 D23/207
D806,829	S	1/2018	Kremerman	
D819,779	S	6/2018	Kremerman	
D828,904	S	9/2018	Maibach, Jr.	

* cited by examiner





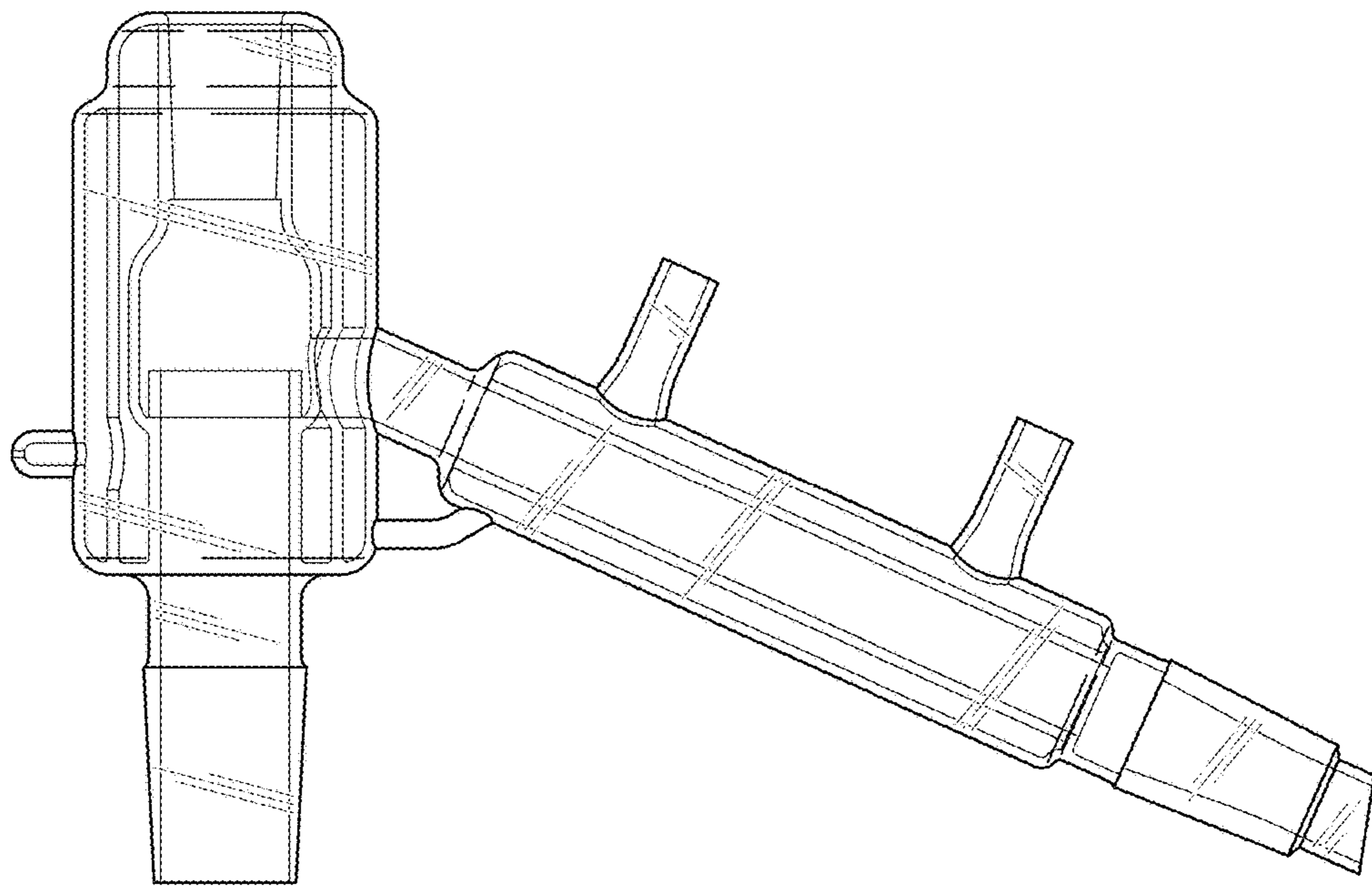


FIG. 3

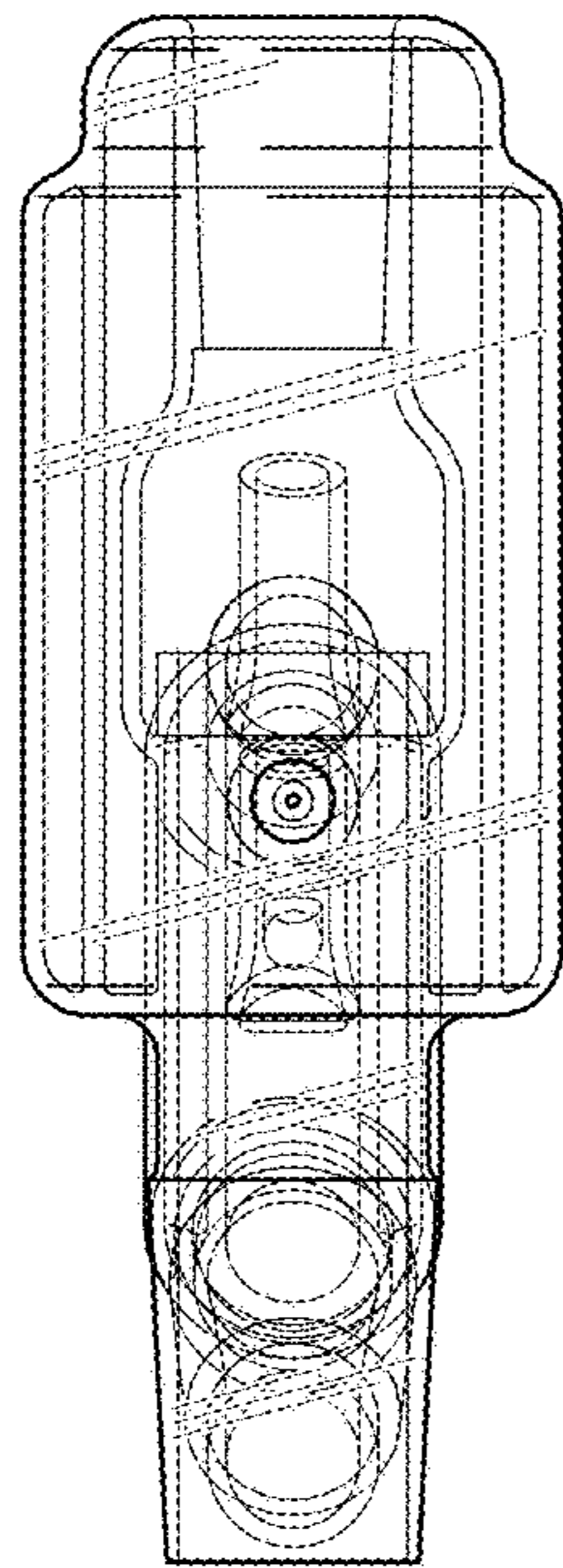
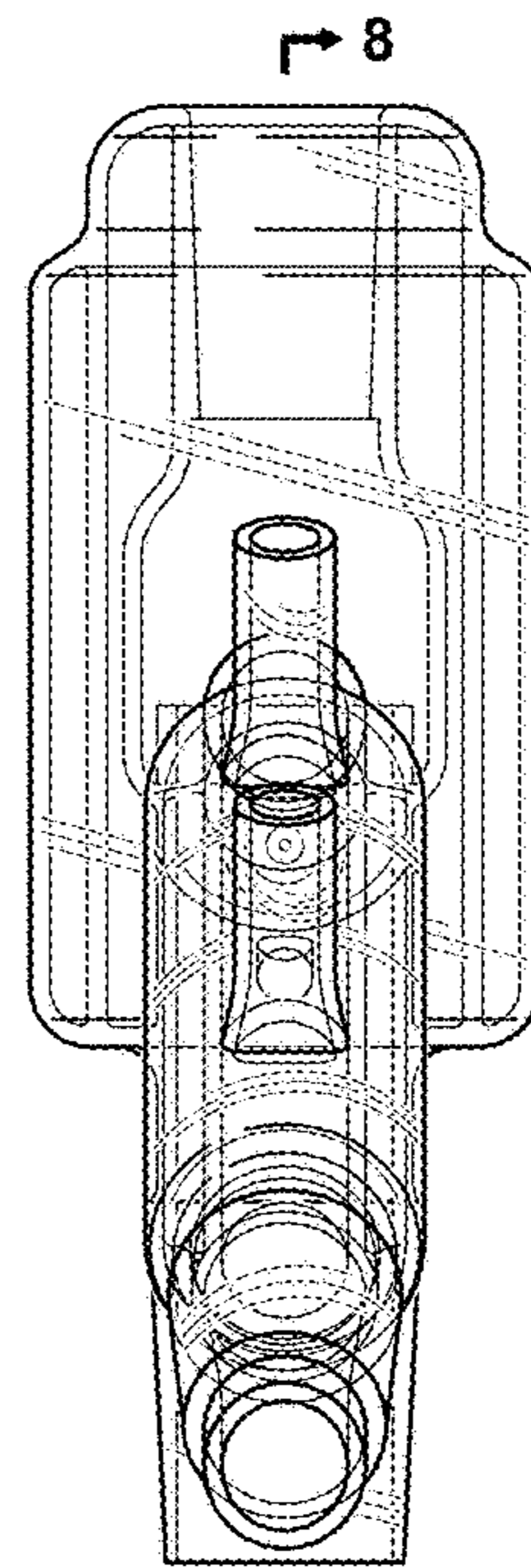


FIG. 4



8

FIG. 5

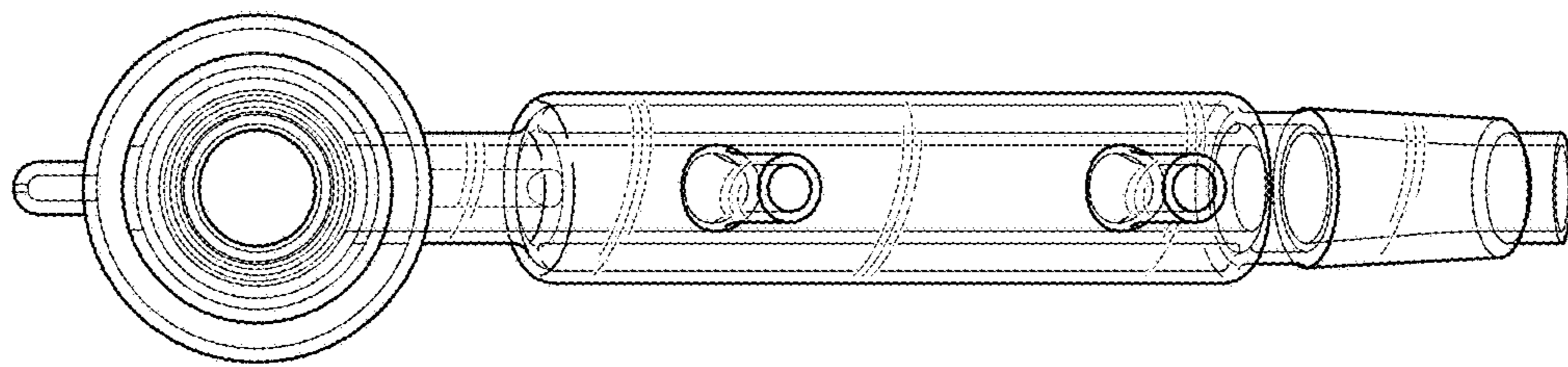


FIG. 6

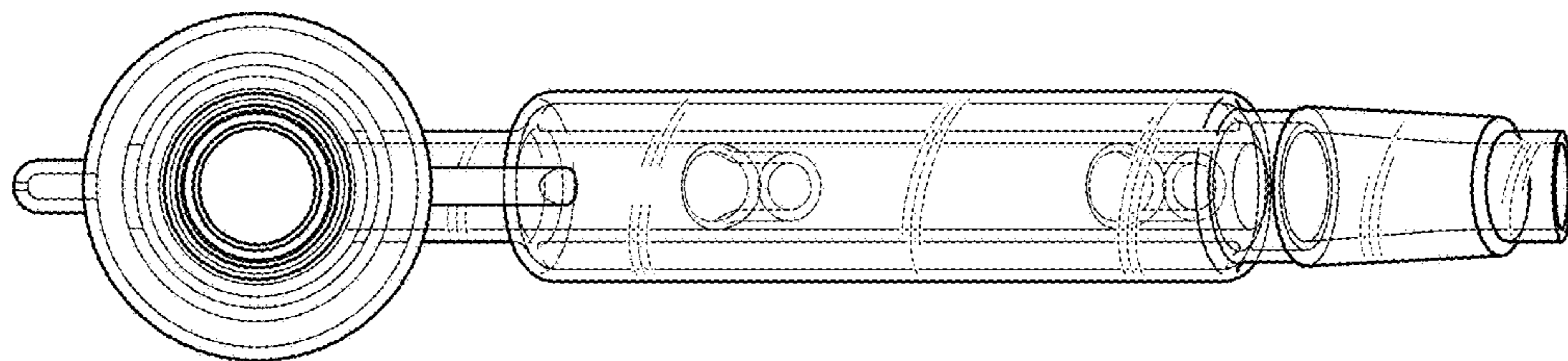


FIG. 7

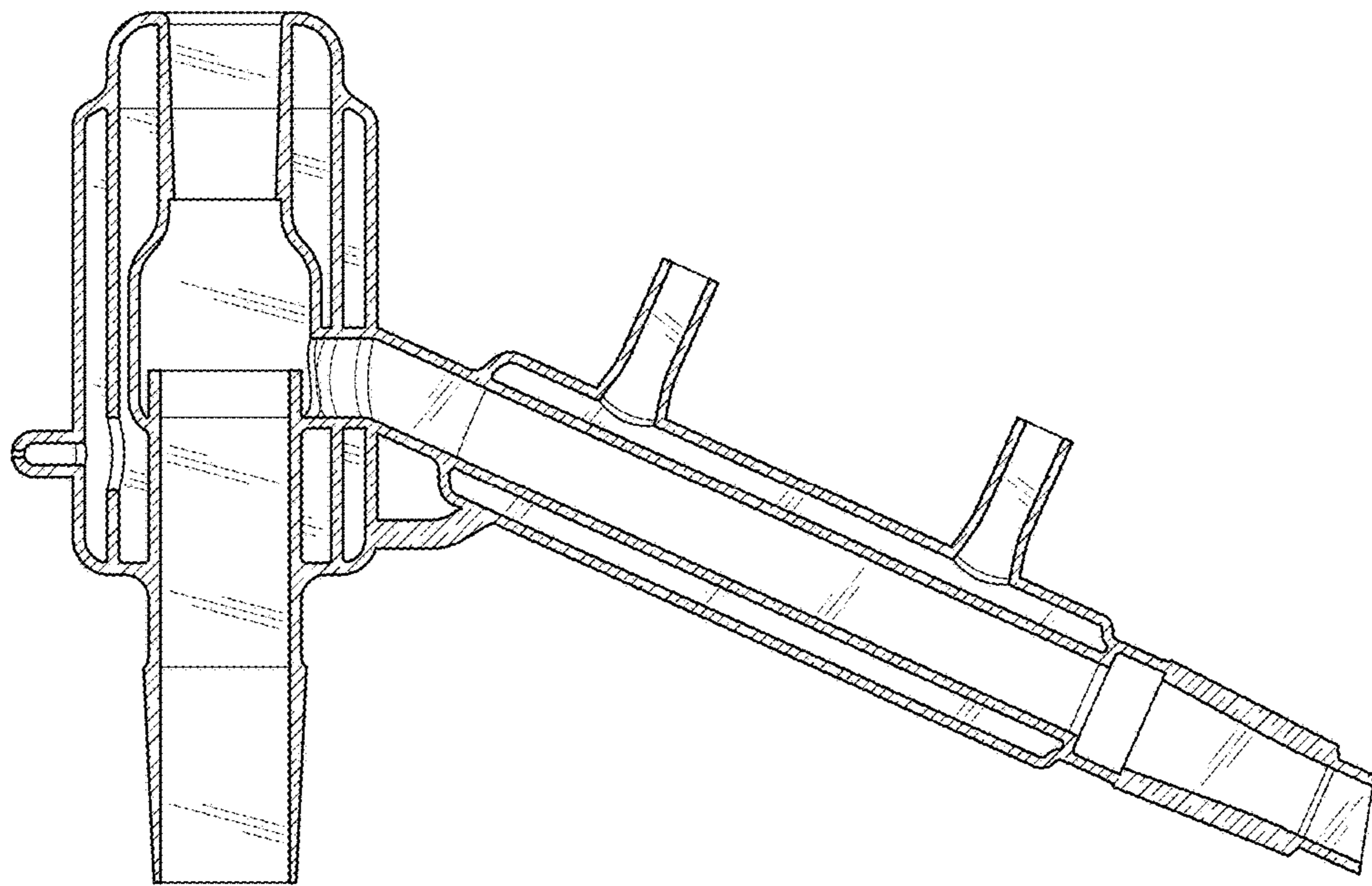


FIG. 8