



US00D849184S

(12) **United States Design Patent**
Kremerman

(10) **Patent No.:** **US D849,184 S**

(45) **Date of Patent:** **** May 21, 2019**

- (54) **DISTILLATION CHAMBER**
- (71) Applicant: **Elliot Kremerman**, Scotts Valley, CA (US)
- (72) Inventor: **Elliot Kremerman**, Scotts Valley, CA (US)
- (**) Term: **15 Years**
- (21) Appl. No.: **29/635,744**
- (22) Filed: **Feb. 2, 2018**
- (51) **LOC (11) Cl.** **23-01**
- (52) **U.S. Cl.**
USPC **D23/207**
- (58) **Field of Classification Search**
USPC D23/207, 209; 202/81, 87, 176, 204
CPC C02F 1/04; B01D 5/0051; B01D 3/04;
B01D 3/008; B01D 3/00
See application file for complete search history.

- D306,338 S 2/1990 Rempe et al.
 - D314,225 S 1/1991 Palmer et al.
 - D316,739 S 5/1991 Erickson et al.
 - D339,862 S 9/1993 Weber et al.
 - 5,354,428 A 10/1994 Clark et al.
 - D358,448 S 5/1995 Paoli
 - 5,411,707 A 5/1995 Hiatt
 - 5,711,857 A * 1/1998 Armstrong B01D 1/0017
159/DIG. 26
 - D412,550 S 8/1999 Bell
 - D425,174 S 5/2000 Swancara
 - D432,203 S 10/2000 Edwards
 - D455,813 S 4/2002 Mount
 - D458,340 S 6/2002 Lindahl
 - 6,551,464 B1 4/2003 Kimel
 - D634,397 S 3/2011 Lautzenheiser et al.
 - D706,386 S 6/2014 Ambler et al.
 - D727,460 S 4/2015 Collins et al.
- (Continued)

(56) **References Cited**
U.S. PATENT DOCUMENTS

- D173,603 S 12/1954 Atkinson
- 3,020,215 A * 2/1962 Weber B01D 1/0017
202/197
- 3,271,935 A 9/1966 Smith
- 3,334,025 A * 8/1967 Reid B01D 3/00
202/161
- D247,248 S 2/1978 Durot
- 4,089,749 A * 5/1978 Karamian B01D 3/00
202/176
- D248,485 S 7/1978 Strauss
- 4,159,817 A 7/1979 Ikawa
- 4,230,536 A * 10/1980 Sech B01D 1/0094
122/234
- 4,303,614 A * 12/1981 Spring B01D 3/00
137/217
- D293,128 S 12/1987 Karamian
- D293,368 S 12/1987 Karamian

Primary Examiner — Robin V Webster
(74) *Attorney, Agent, or Firm* — Michael J. Feigin, Esq.;
Feigin and Fridman LLC

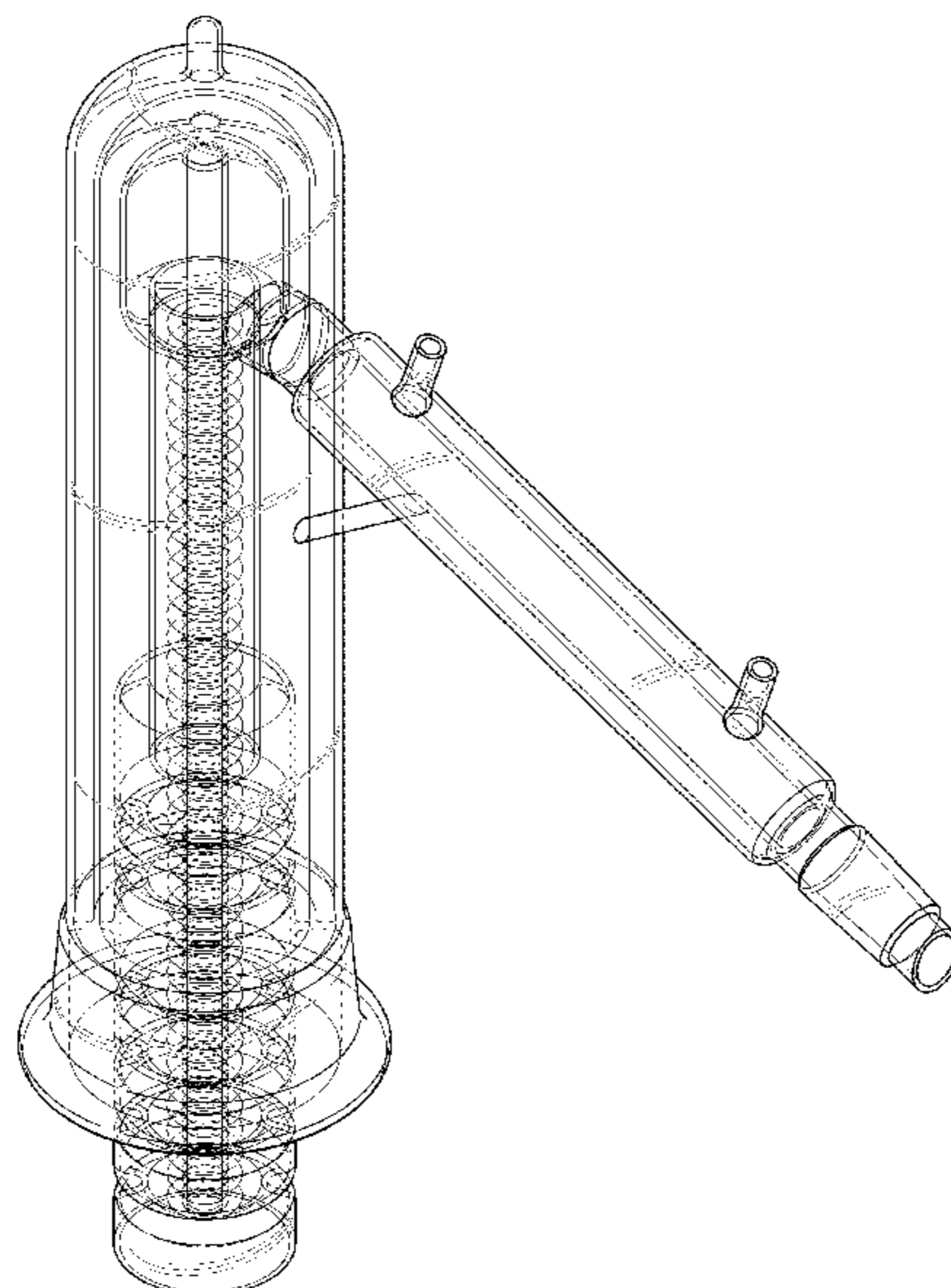
(57) **CLAIM**

The ornamental design for a distillation chamber, as shown and described.

DESCRIPTION

FIG. 1 shows a top and side perspective view of a distillation chamber.
 FIG. 2 shows a bottom and reverse side perspective view thereof.
 FIG. 3 shows a side view thereof the reverse side being a mirror image thereof.
 FIG. 4 shows a front view thereof.
 FIG. 5 shows a rear view thereof.
 FIG. 6 shows a top plan view thereof.
 FIG. 7 shows a bottom plan view thereof; and,
 FIG. 8 shows a cutaway view taken along line 8-8 in FIG. 4.

1 Claim, 6 Drawing Sheets



(56)

References Cited

U.S. PATENT DOCUMENTS

D731,615	S	6/2015	Ambler et al.	
9,138,657	B1	9/2015	Wiederin et al.	
D775,310	S	12/2016	Kremerman	
D776,238	S	1/2017	Kremerman	
D780,286	S	2/2017	Ausner	
D787,630	S	5/2017	Lipkens et al.	
D790,033	S	6/2017	Kremerman	
9,682,331	B2 *	6/2017	Kremerman B01D 3/10
D802,084	S	11/2017	Kremerman	
D802,085	S	11/2017	Kremerman	
D805,599	S	12/2017	Kremerman	
D805,600	S *	12/2017	Kremerman B01D 1/0017 D23/207
D806,829	S	1/2018	Kremerman	

* cited by examiner

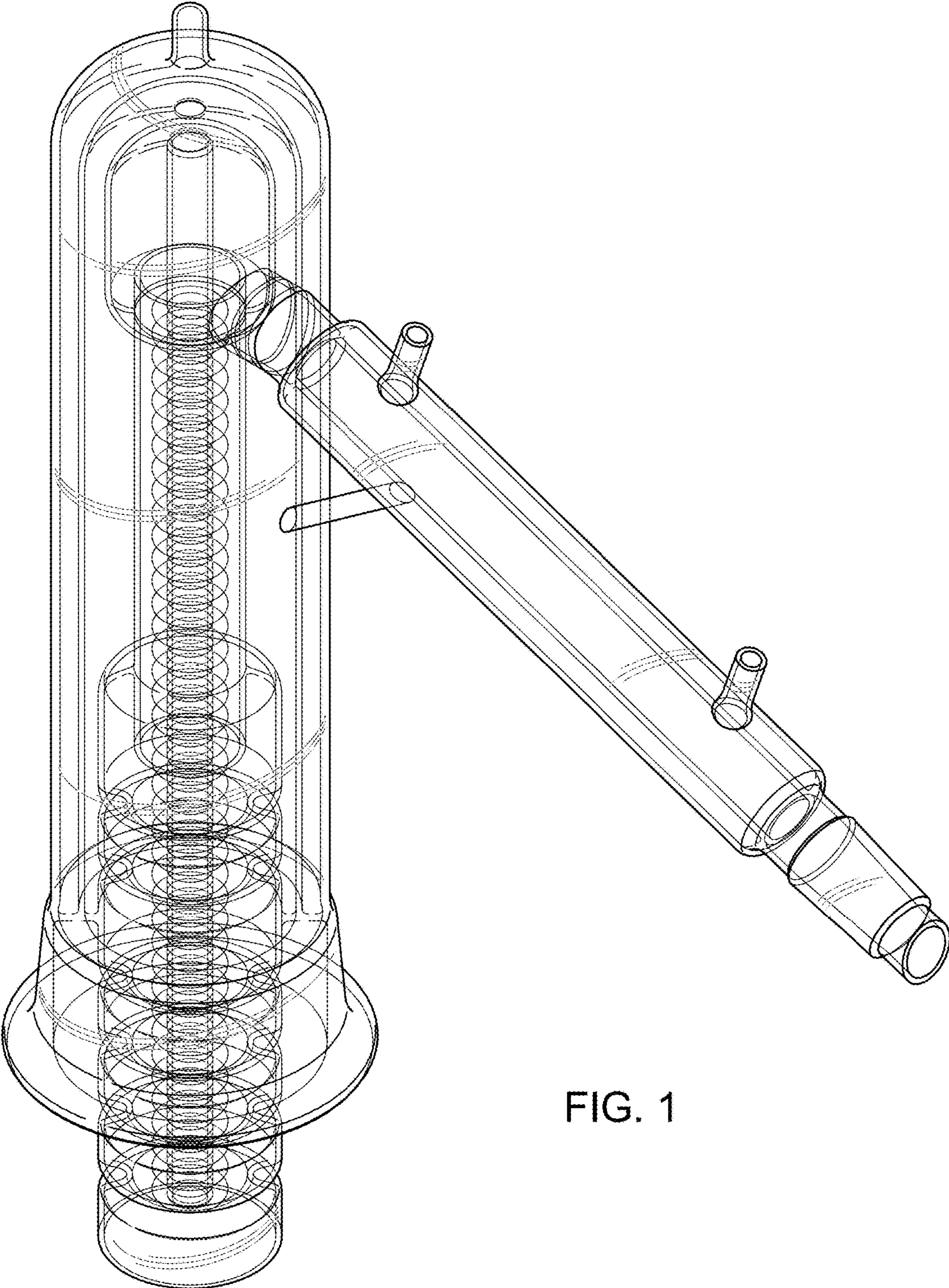


FIG. 1

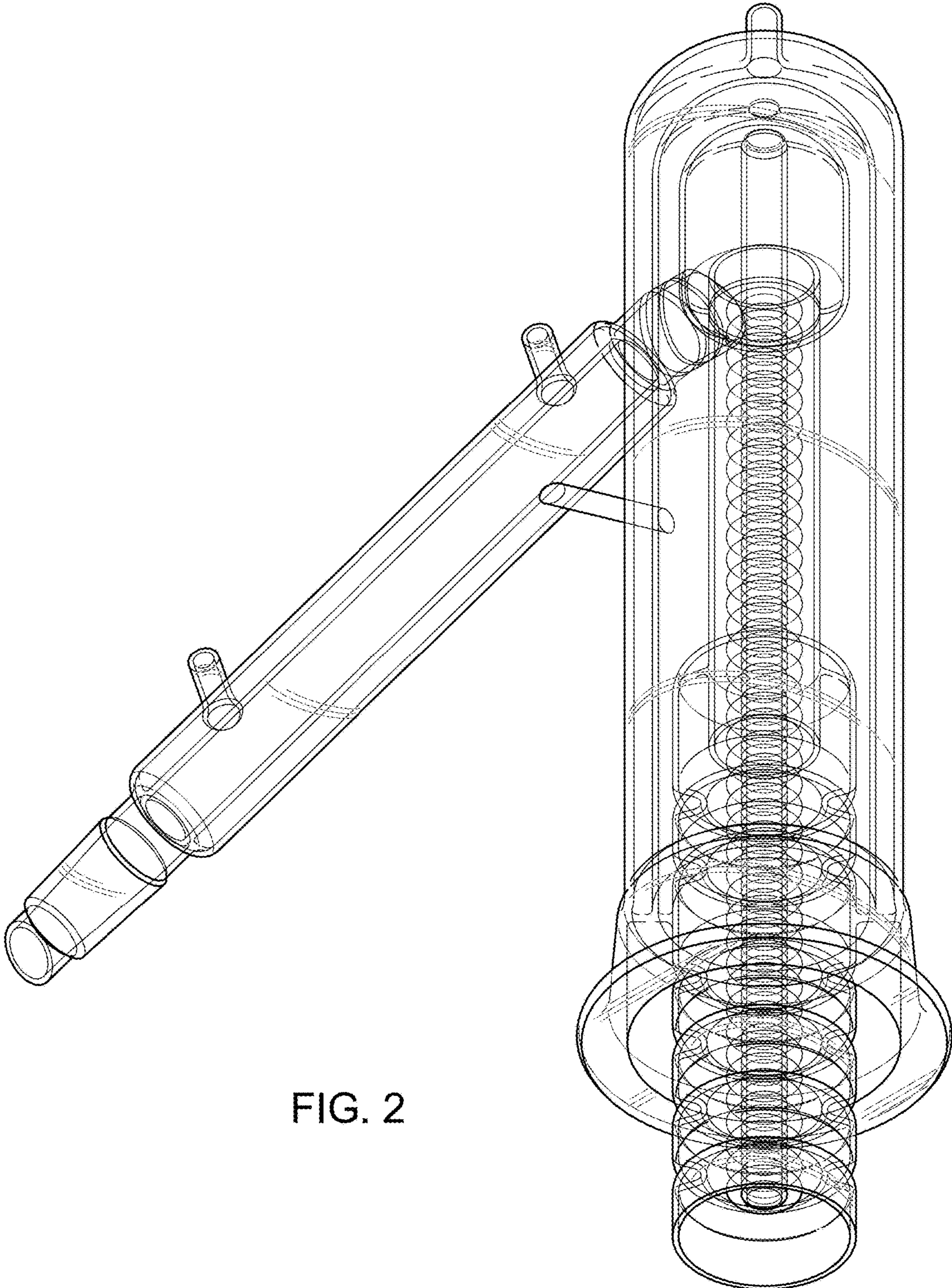


FIG. 2

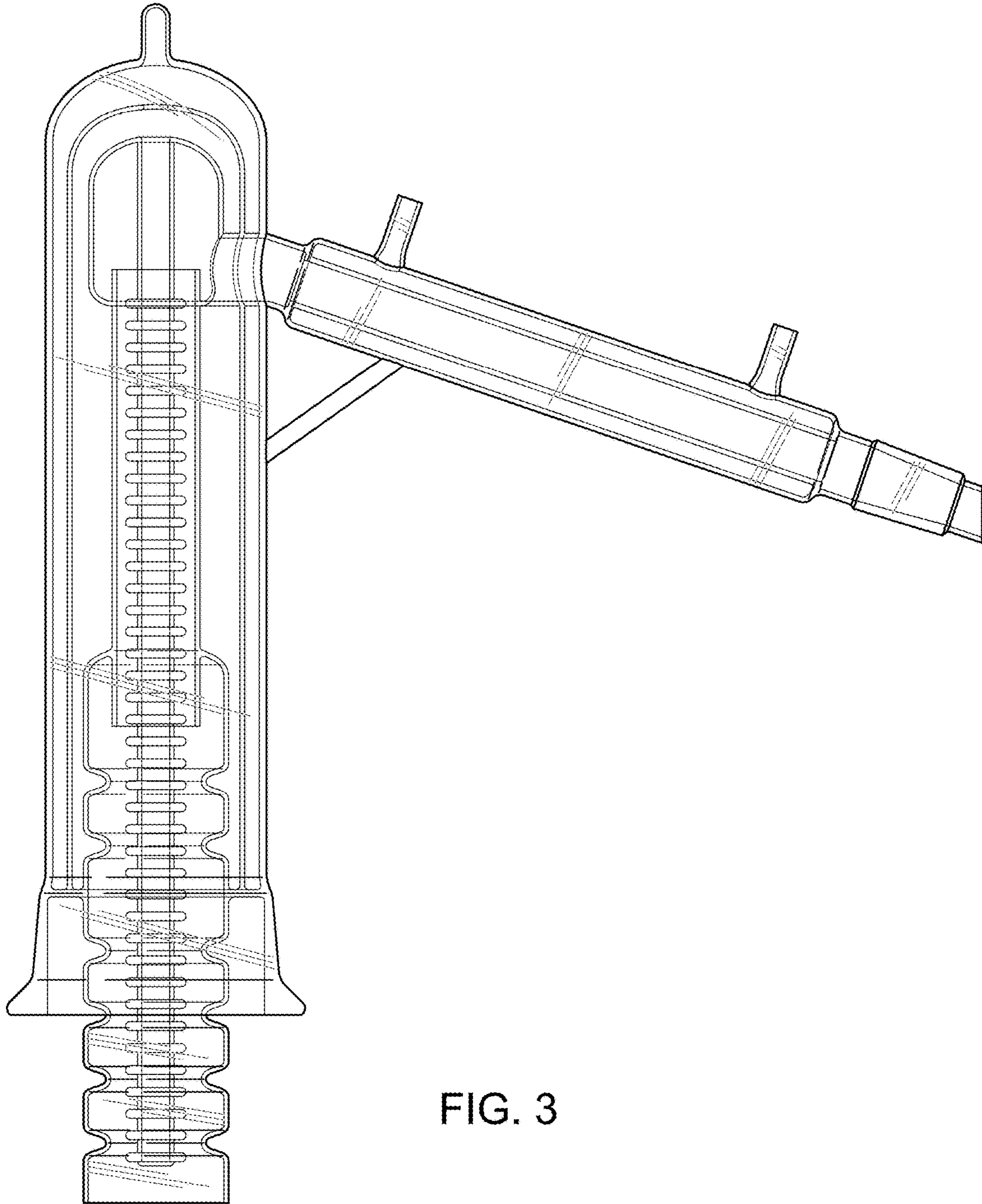


FIG. 3

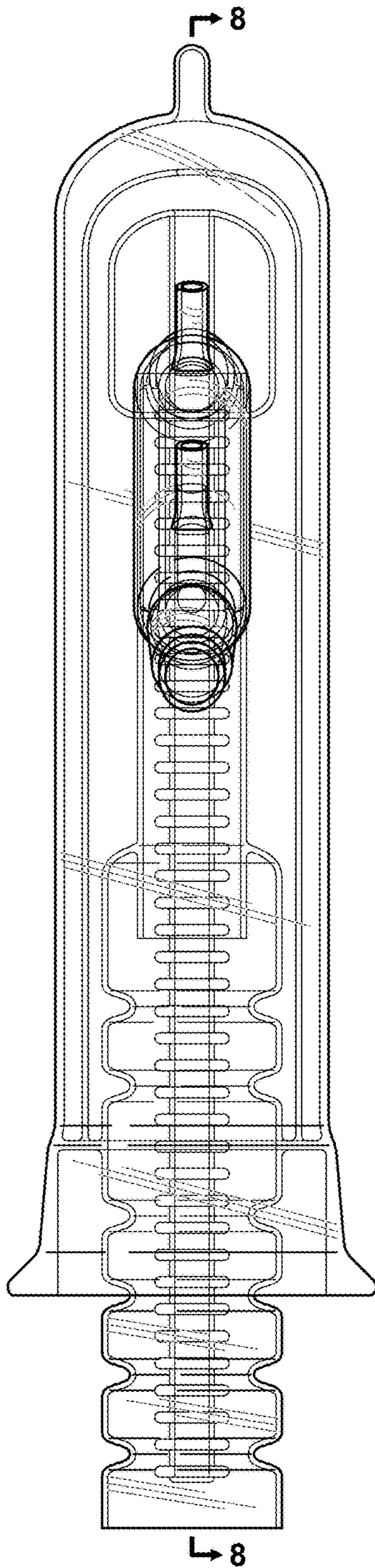


FIG. 4

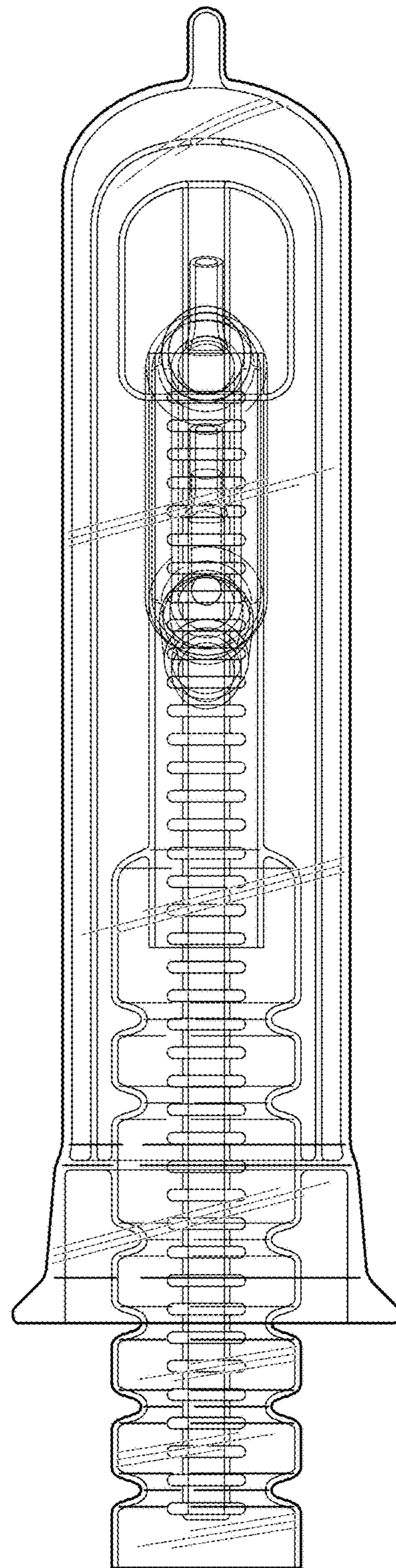


FIG. 5

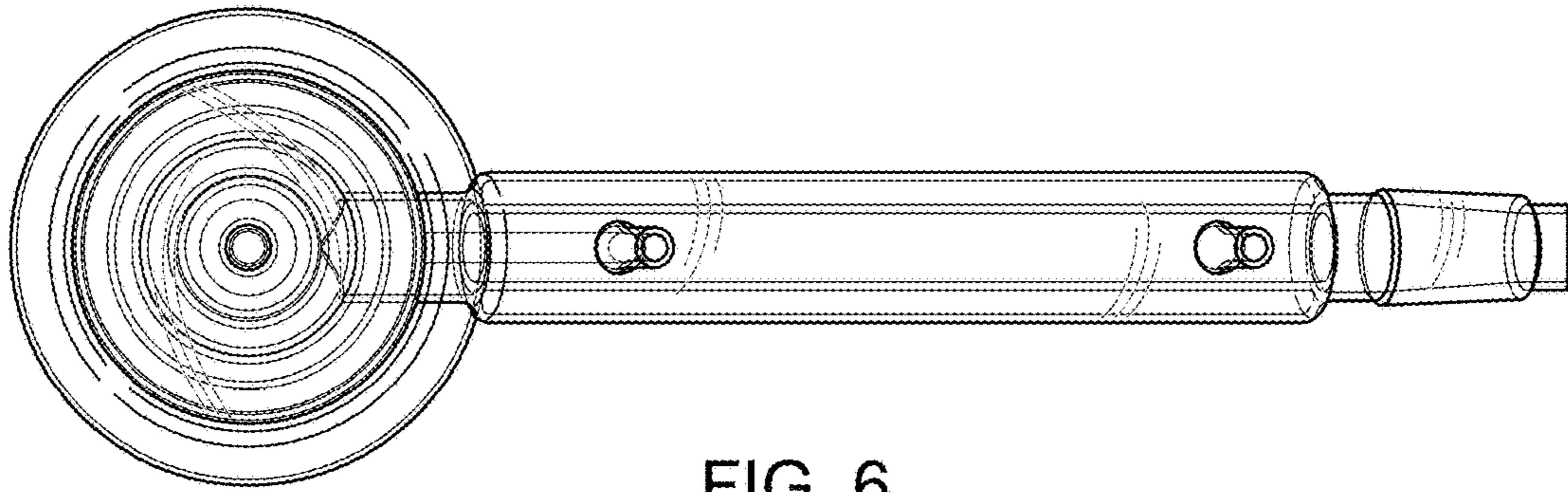


FIG. 6

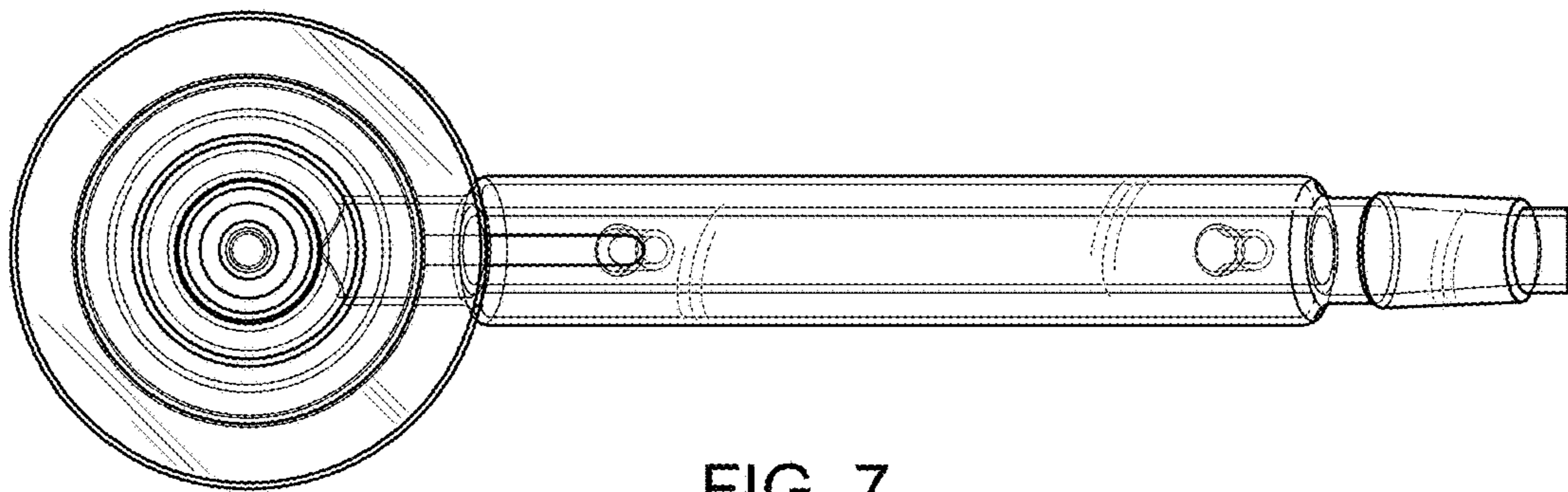


FIG. 7

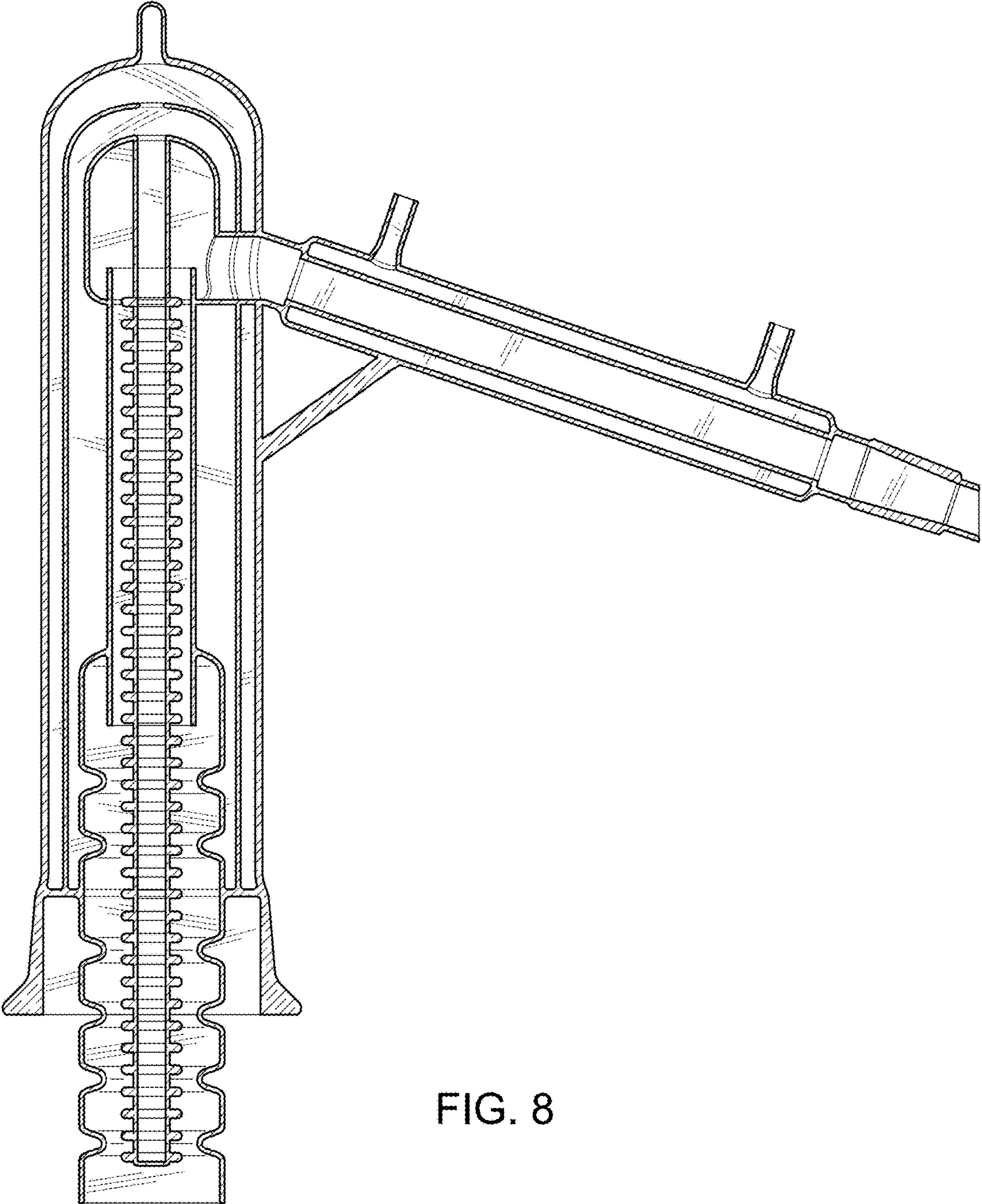


FIG. 8